



## Caliper Cover Installation Manual

# Model 3

Please check all parts are included in the package before installation. Contact us if anything is missing.



X1



X1

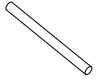


X1



X1

**Medium  
Screw**



X1



X1



X1



X2



X1

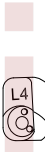


X1



X2

**Long Screw**



X1



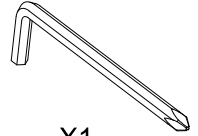
X1



X1



X1



X1

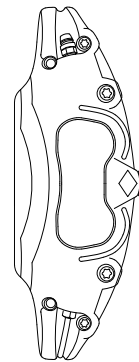
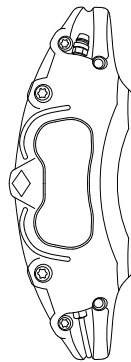
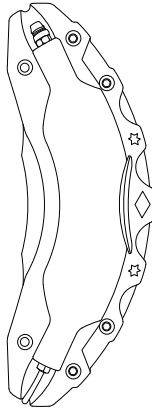
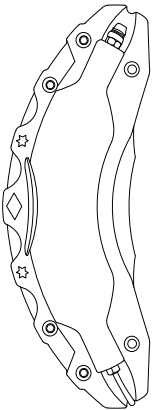


X2

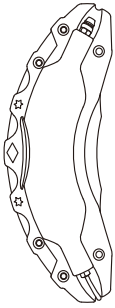


X2

**Short Screw**



# Front Right Caliper Cover Installation



X1



X1



X1



X1



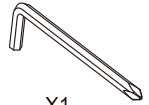
X2



X2

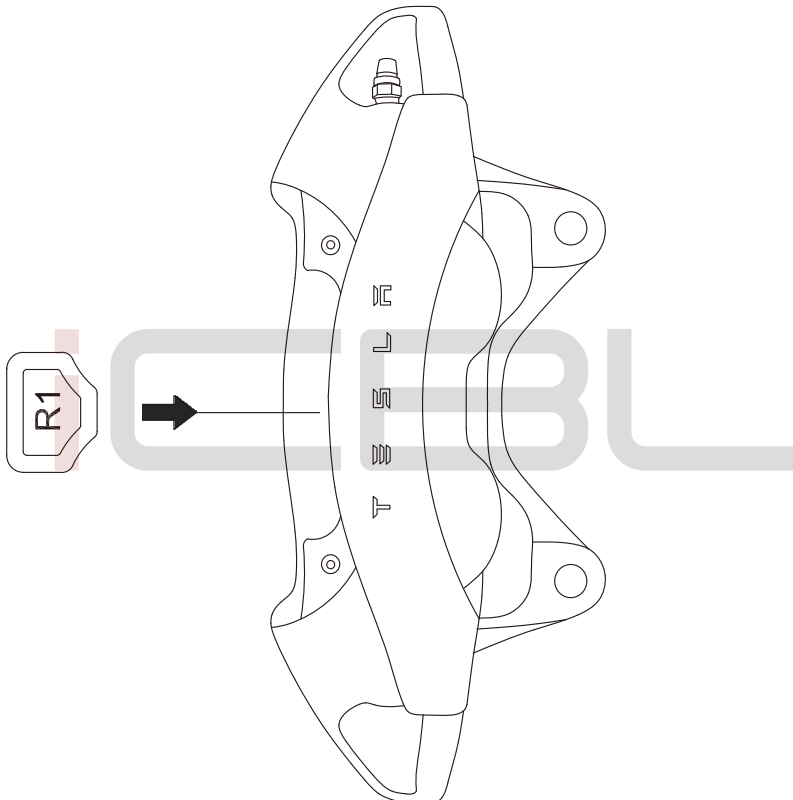


X1

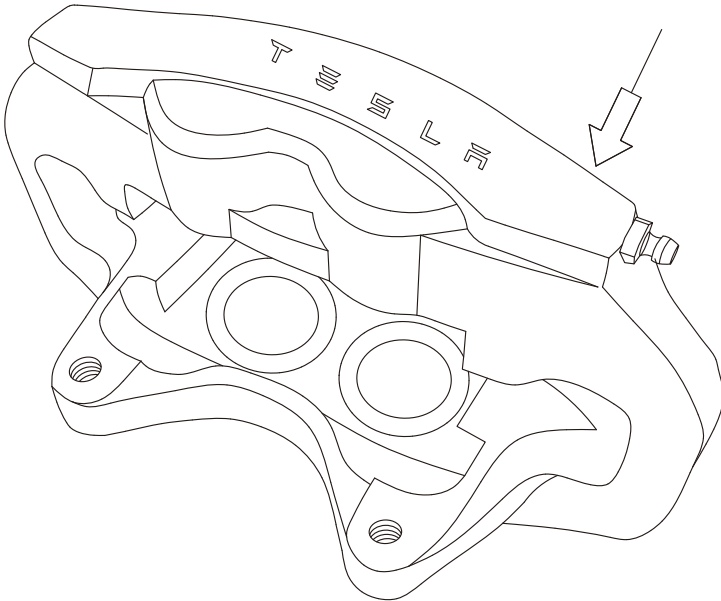
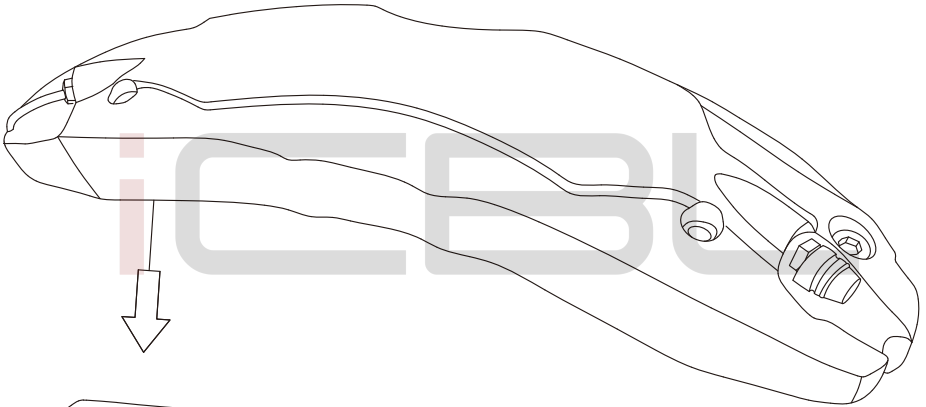


X1

Step 1 Put R1 buckle into caliper show as below,  
Side with 'R1' outward.

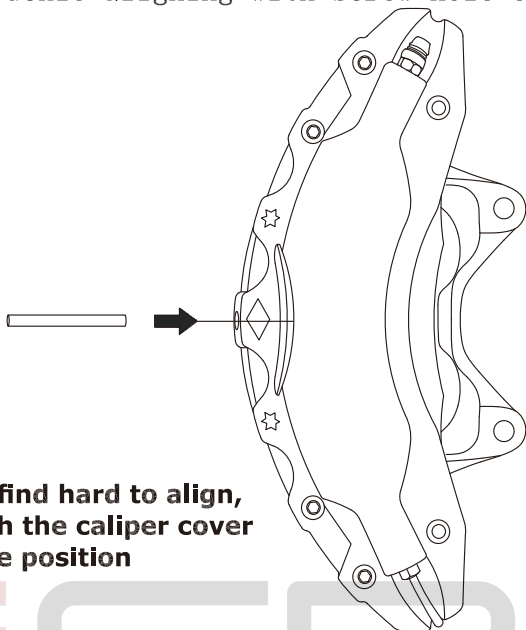


Step 2 Put caliper cover over the caliper



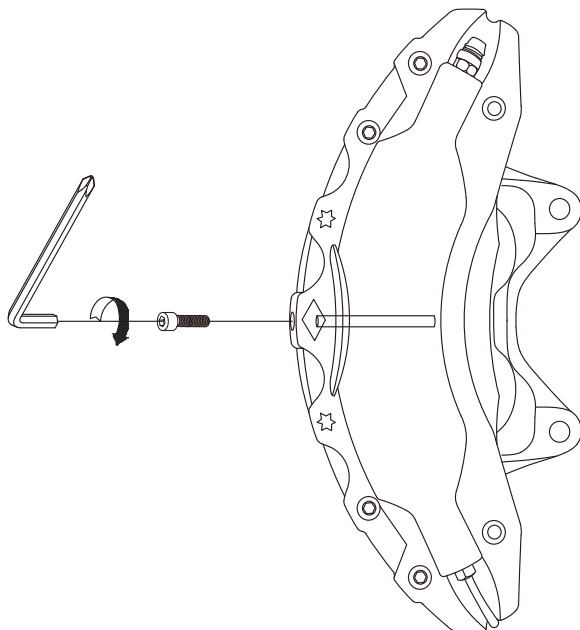
**3**

Step 3 Insert circular column into screw hole to adjust R1 buckle aligning with screw hole of caliper cover



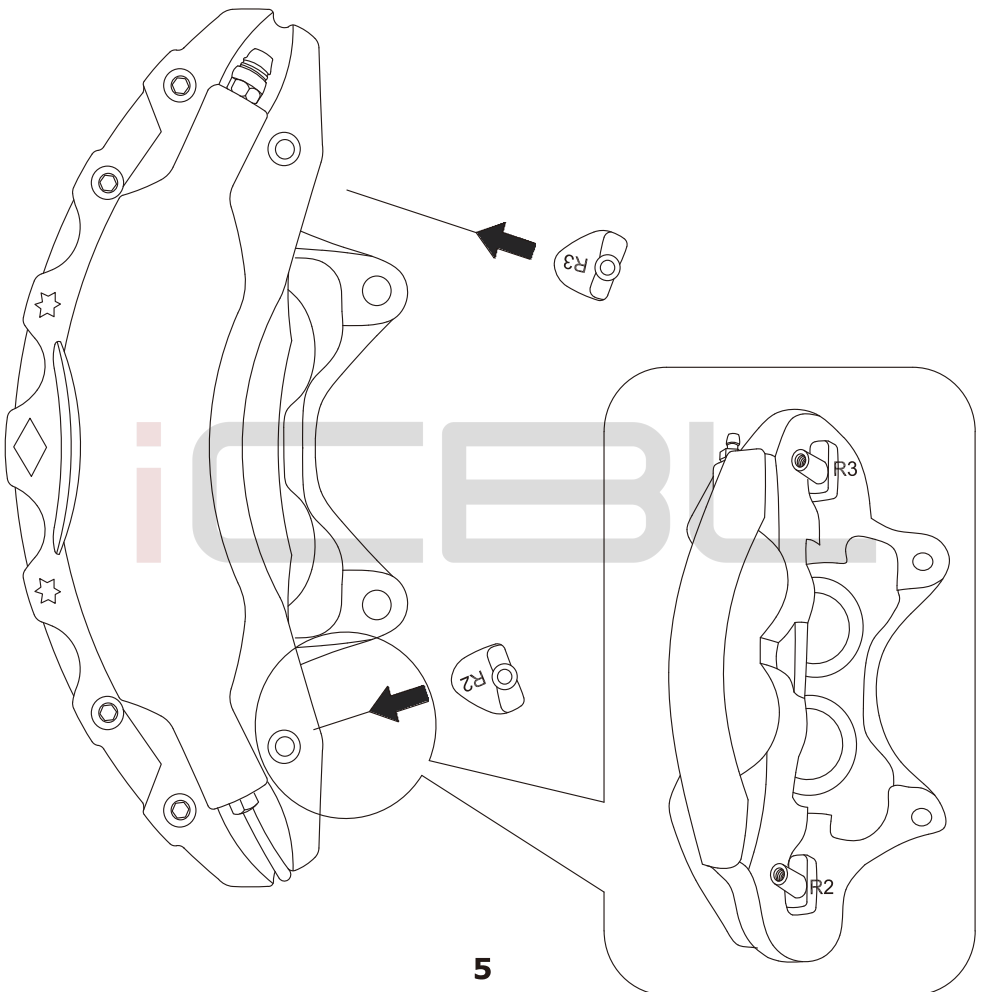
**Tips: if you find hard to align, lightly punch the caliper cover to adjust the position**

Step 4 Turning the screw



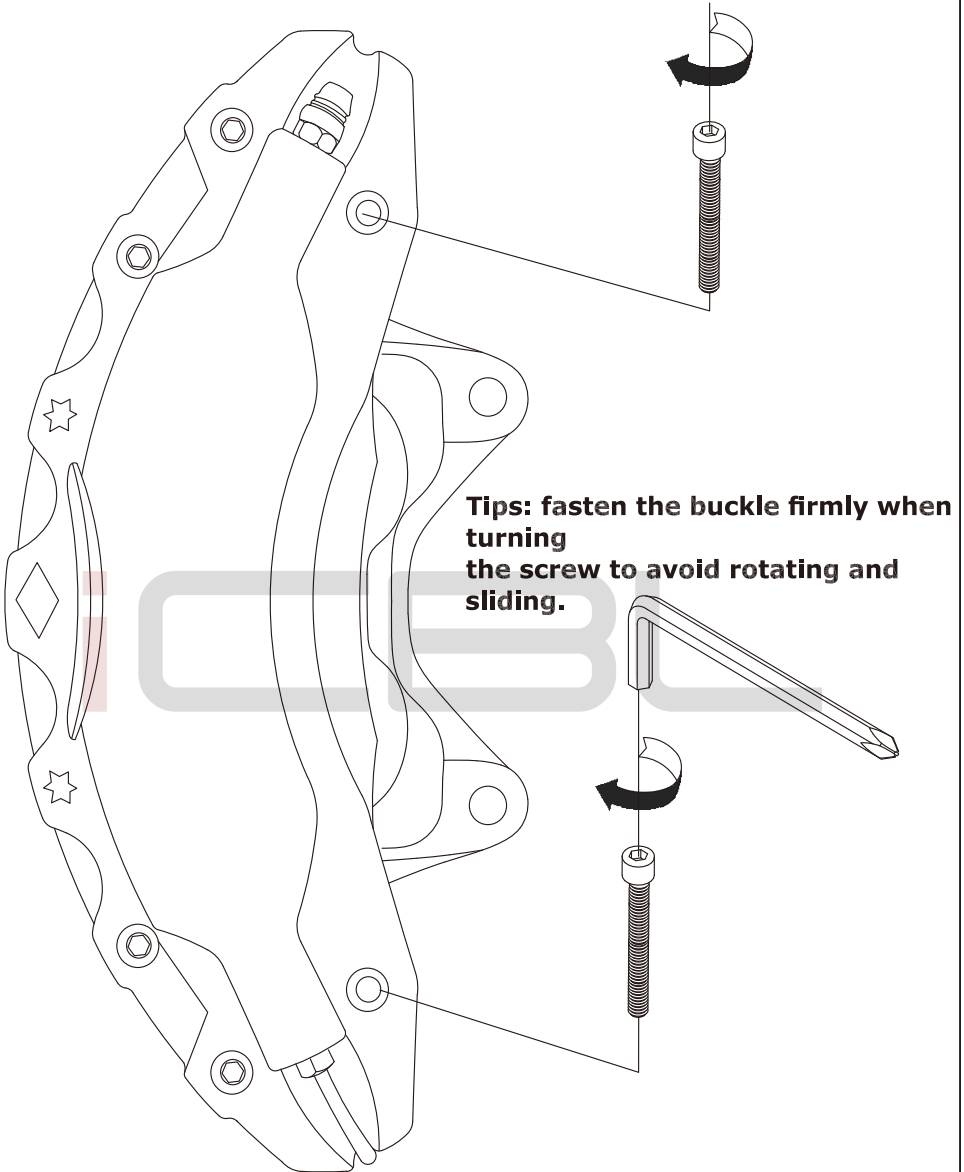
## Step 5

Put buckle R3, R2 on the caliper as shown below.  
R3 is on the top and R2 is on the bottom of the caliper.



## Step 6

Insert the screw into the screw hole shown as below. Aligning with R3, R2 buckle then turning the screw.



# Front Left Caliper Cover Installation



X1



X1



X1



X1



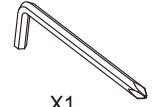
X2



X2

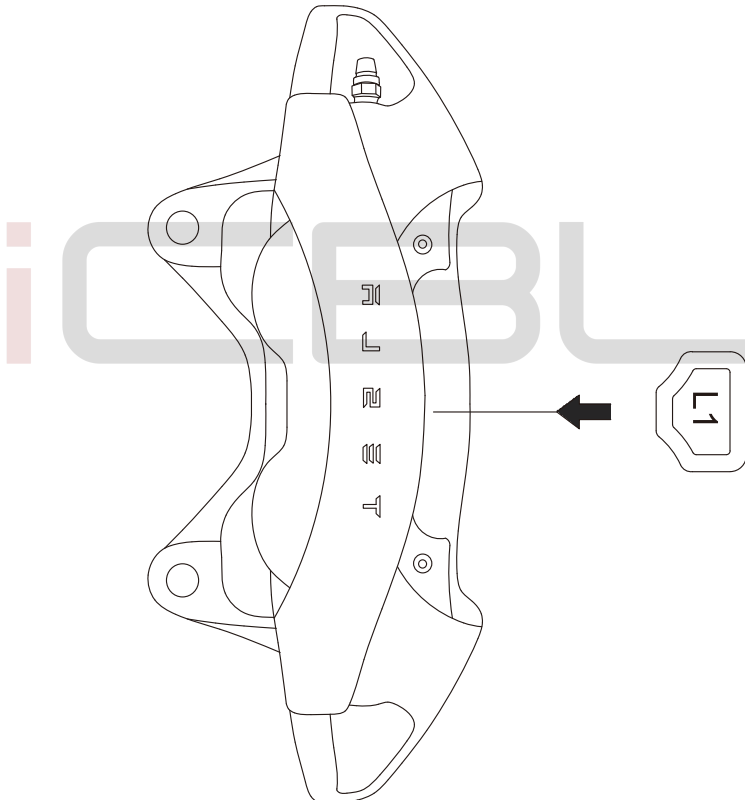


X1



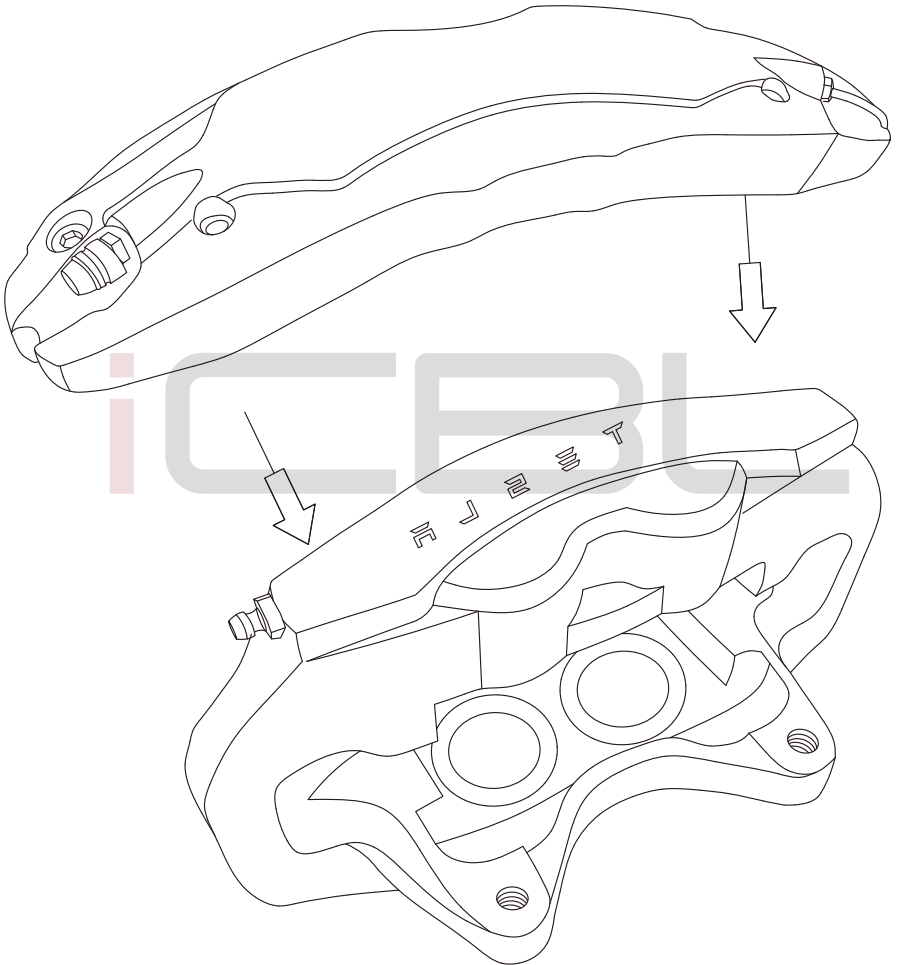
X1

Step 1 Put L1 buckle into caliper shown as below,  
Side with 'L1' outward.

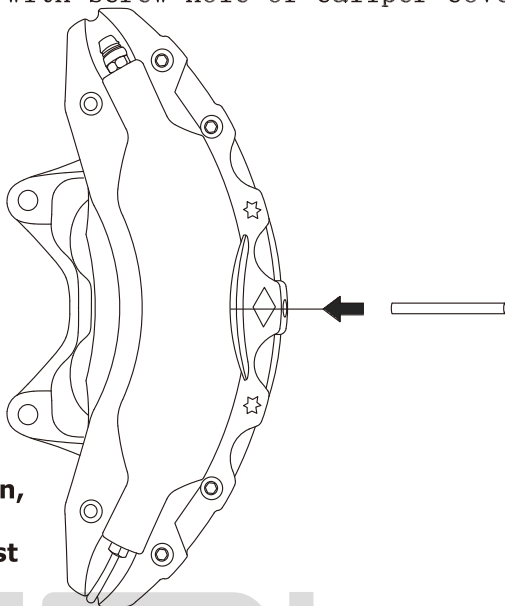




Step 2 Put caliper cover over the caliper

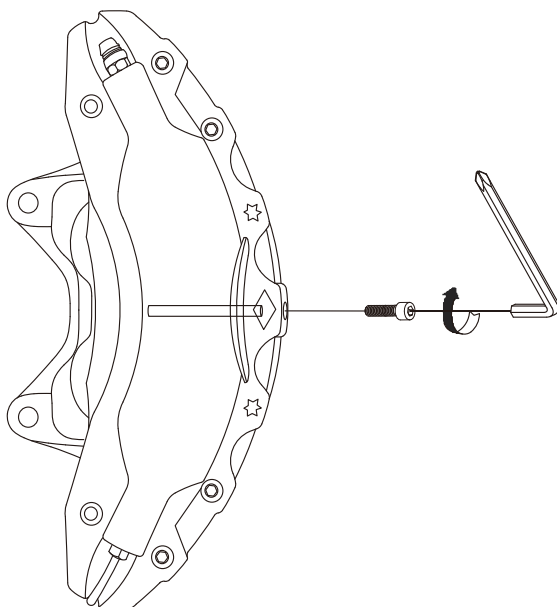


Step 3 Insert circular column into screw hole to adjust L1 buckle aligning with screw hole of caliper cover



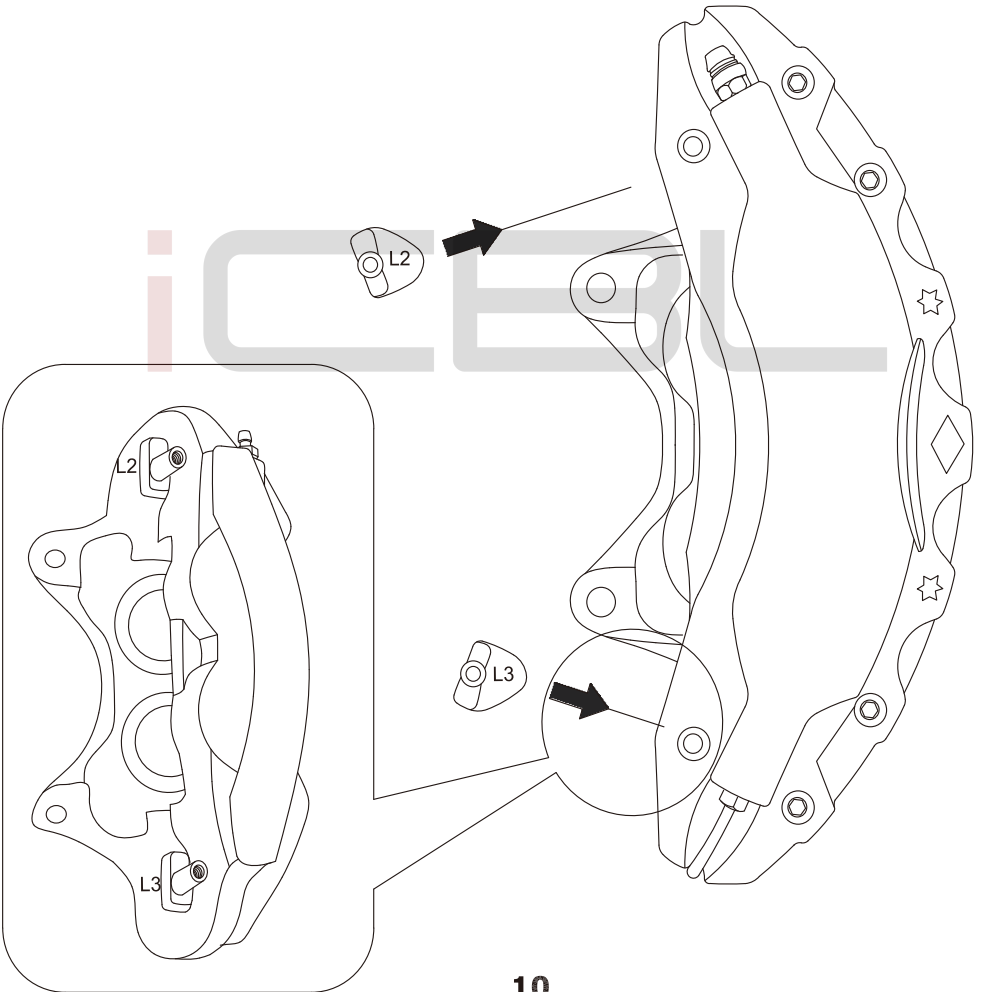
**Tips: if you find hard to align, lightly punch caliper cover to adjust the position**

Step 4 Turning the screw



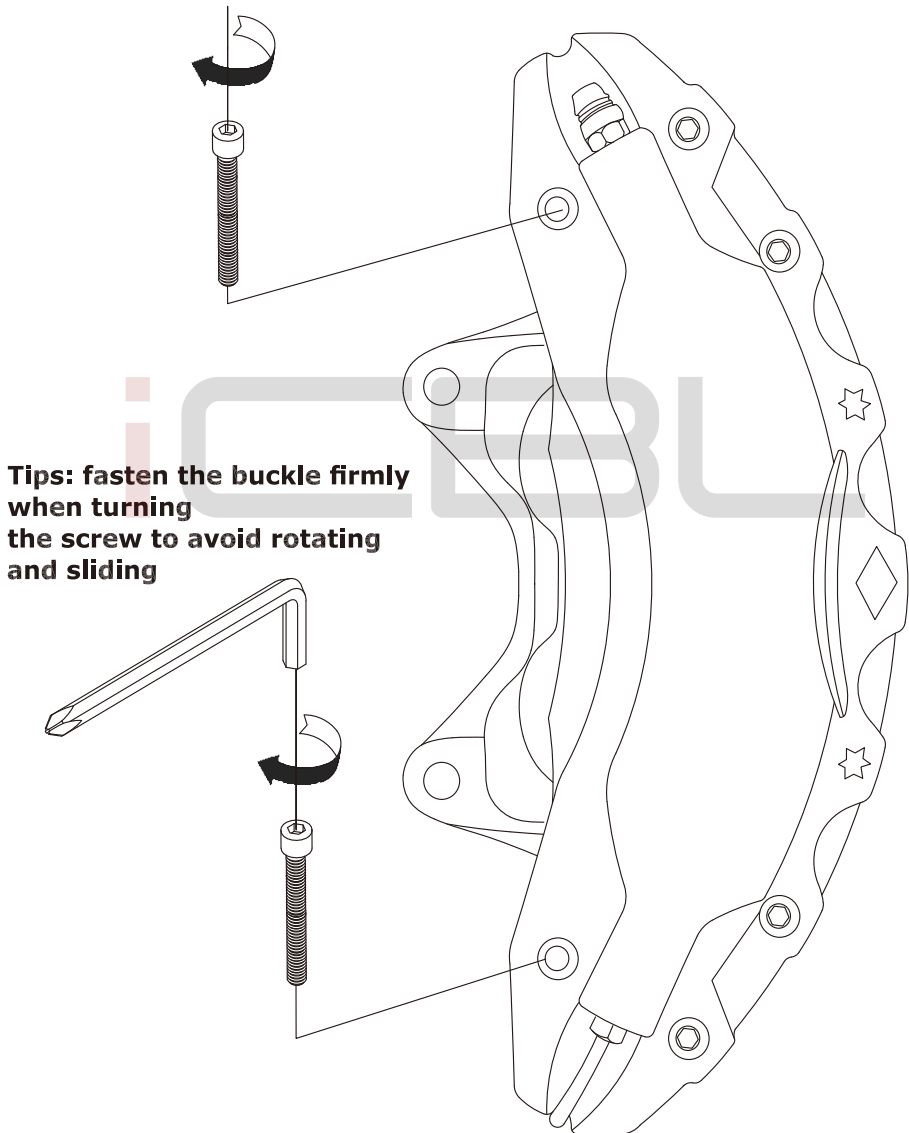
## Step 5

Put buckle L2, L3 on the caliper shown as below.  
L2 is on the top and L3 is on the bottom of the caliper.

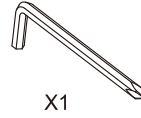
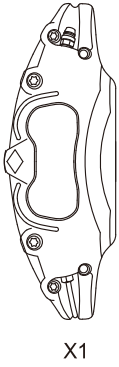


## Step 6

Insert the screw into the screw hole shown as below.  
Aligning with L2, L3 buckles then turning the screw.

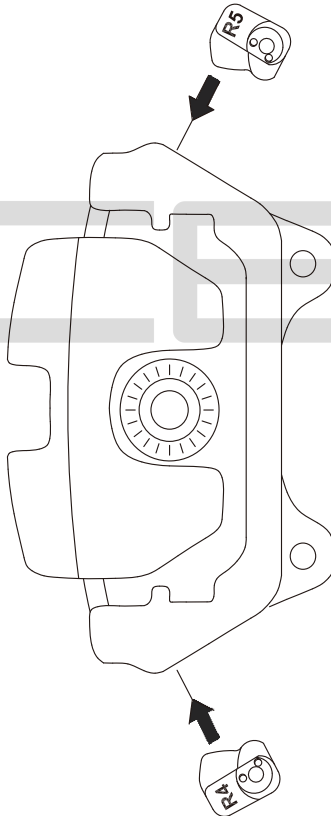


## Rare Right Caliper Cover Installtion



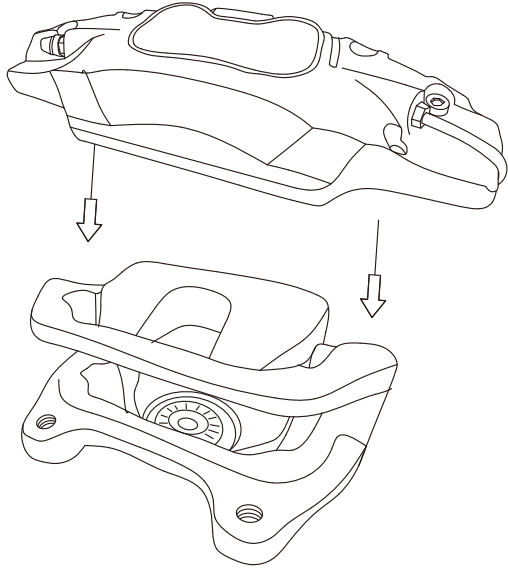
### Step 1

Put R5, R4 buckles on the caliper shown as below, R5 is on the top, R4 is on the bottom of the caliper.



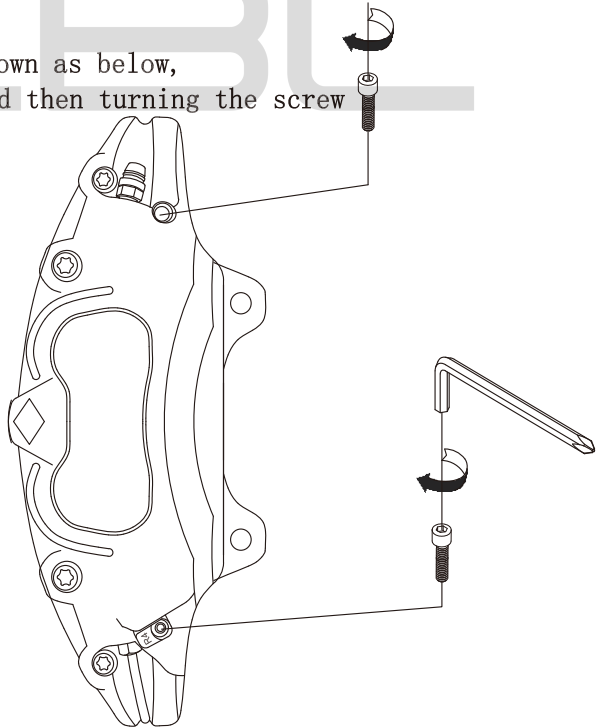
Step 2

Put caliper cover over the caliper



Step 3

Insert screw into holes shown as below, aligning R5, R4 buckles and then turning the screw



**Tips: fasten buckles firmly when turning the screw to avoid rotating and sliding.**

# Rare Left Caliper Cover Installtion



X1



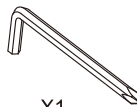
X1



X1



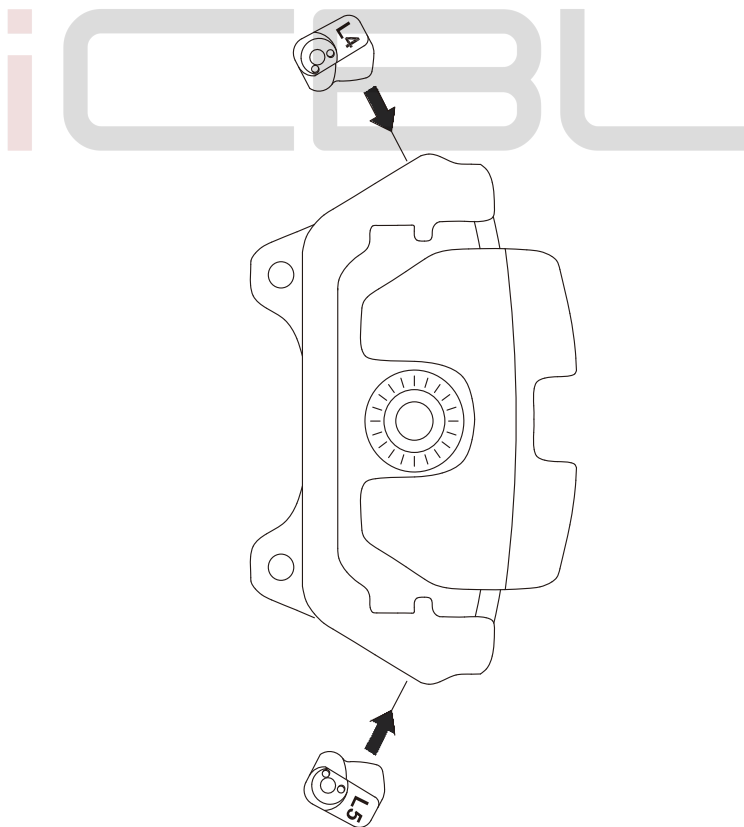
X2



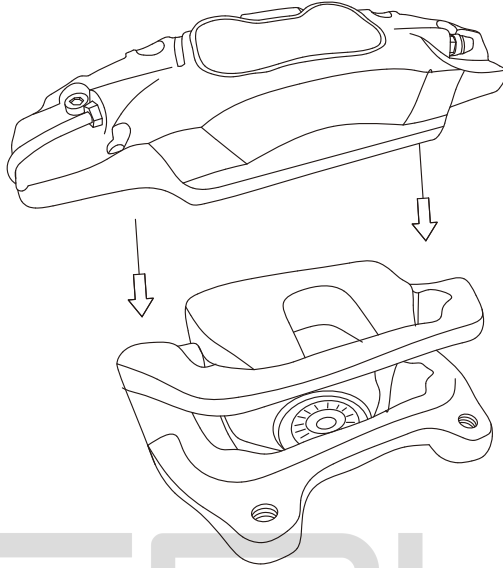
X1

## Step 1

Put L4, L5 buckles on the caliper shown as below, L4 is on the top, L5 is on the bottom of the caliper.

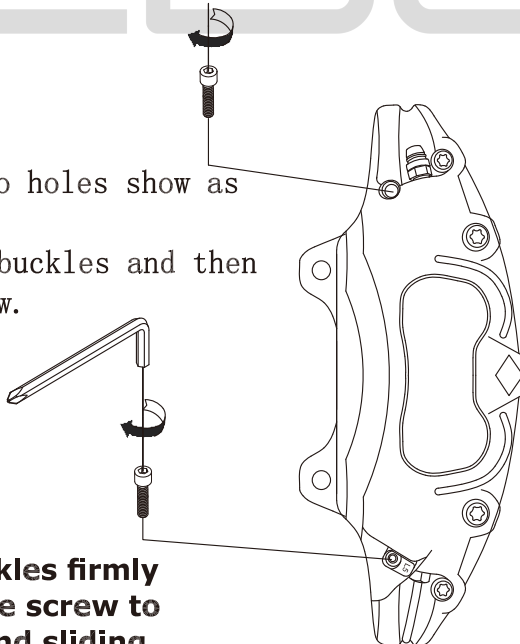


Step 2 Put caliper cover over the caliper



Step 3

Insert screw into holes show as below,  
aligning L4, L5 buckles and then  
turning the screw.



**Tips: fasten buckles firmly  
when turning the screw to  
avoid rotating and sliding.**