



咖尔星卡钳罩安装说明书

Kairstars Caliper Cover Installation Manual

For Model S/X 2022-2023



扫描二维码  
观看优酷安装视频

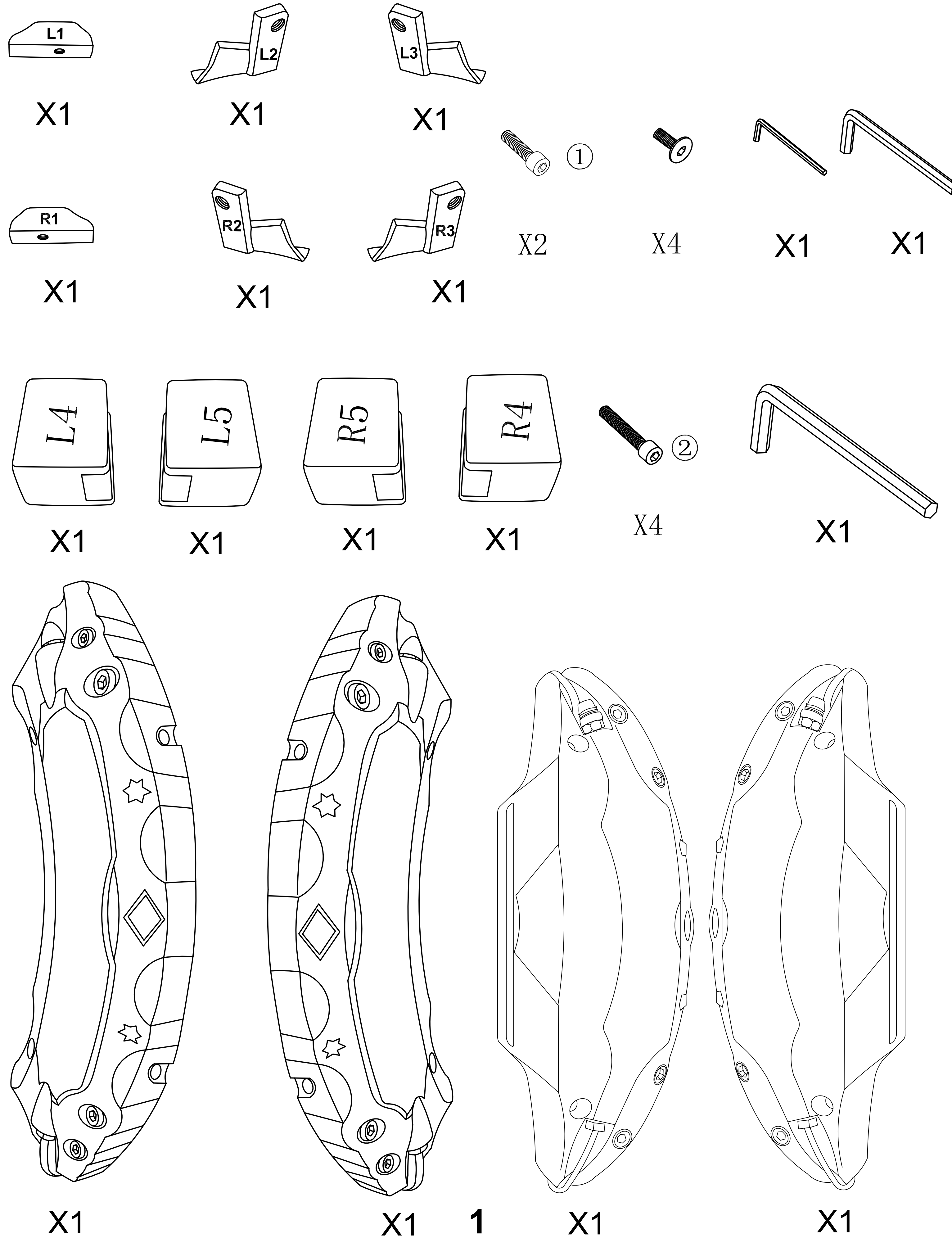


Scan QR Code  
Watch Installation Video  
From YouTube

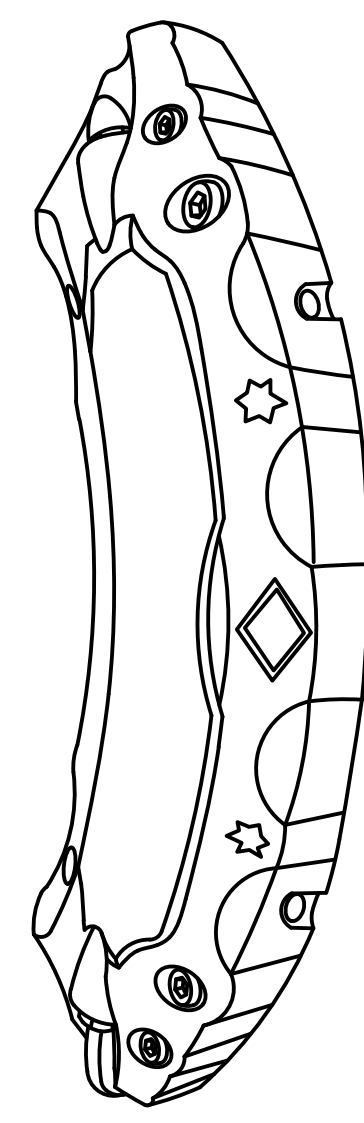
安装前请检查配件是否完整，若有缺失请先联系店铺售后

Please check all items listed below are included in the package.

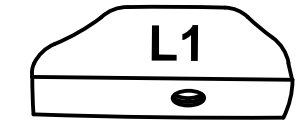
Contact us if anything is missing.



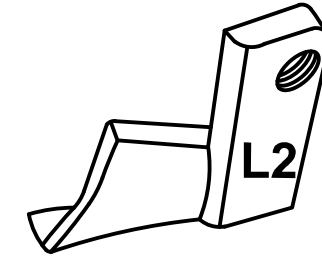
特斯拉ModelS/X 前左卡钳罩安装如下  
Model S/X Front Left Caliper Cover Installation



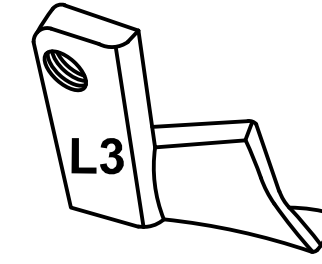
X1



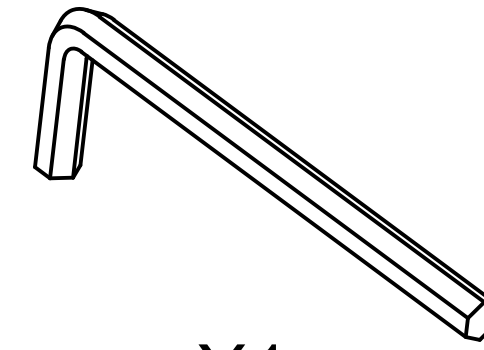
X1



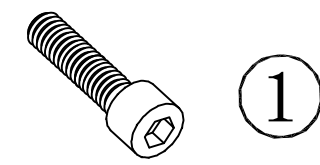
X1



X1



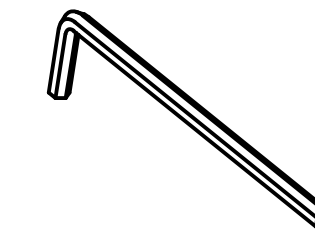
X1



X1



X2

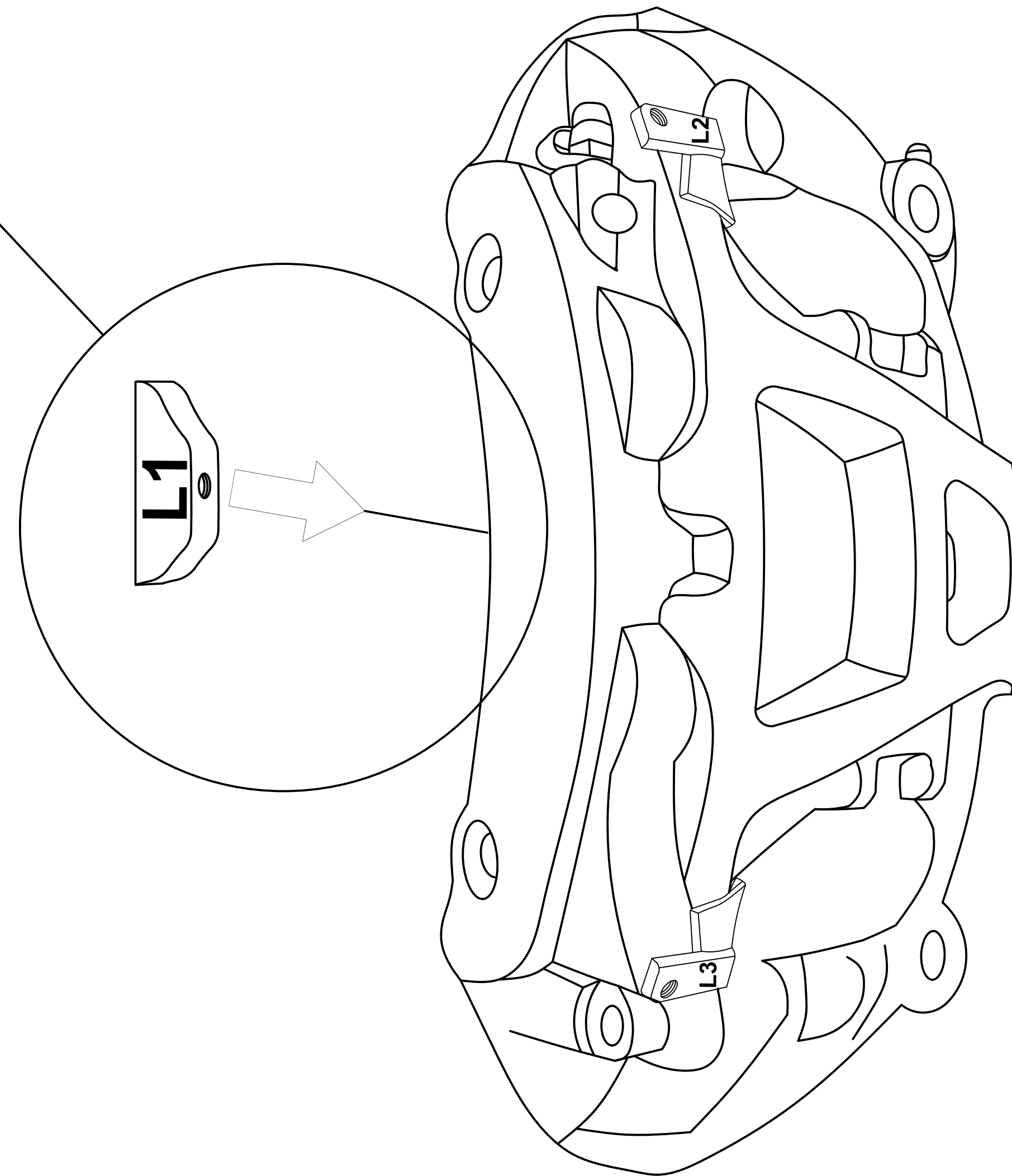
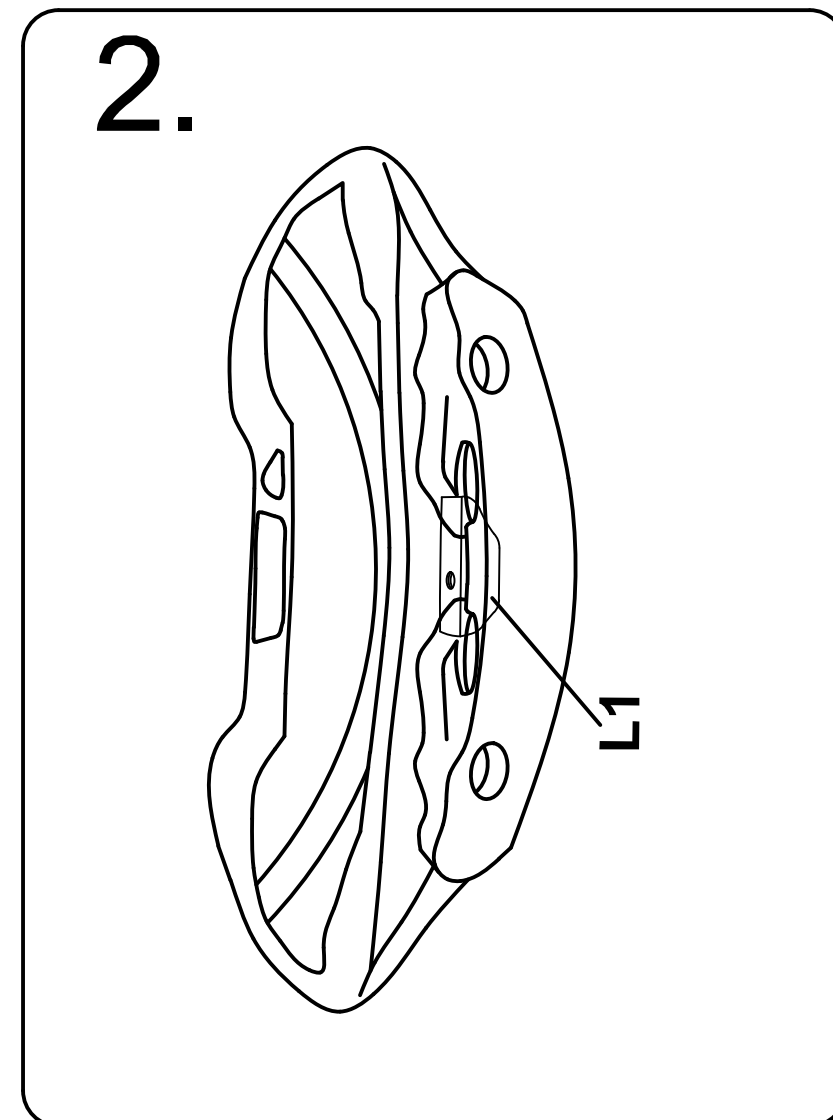
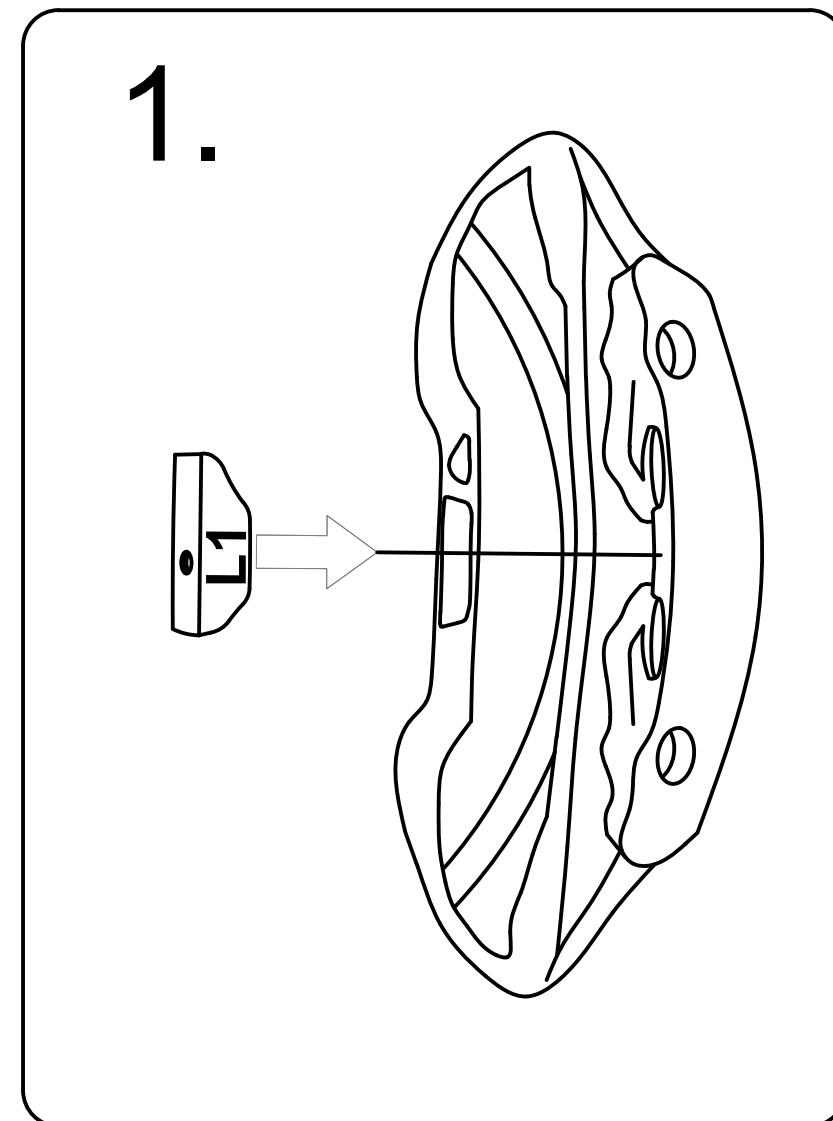


X1

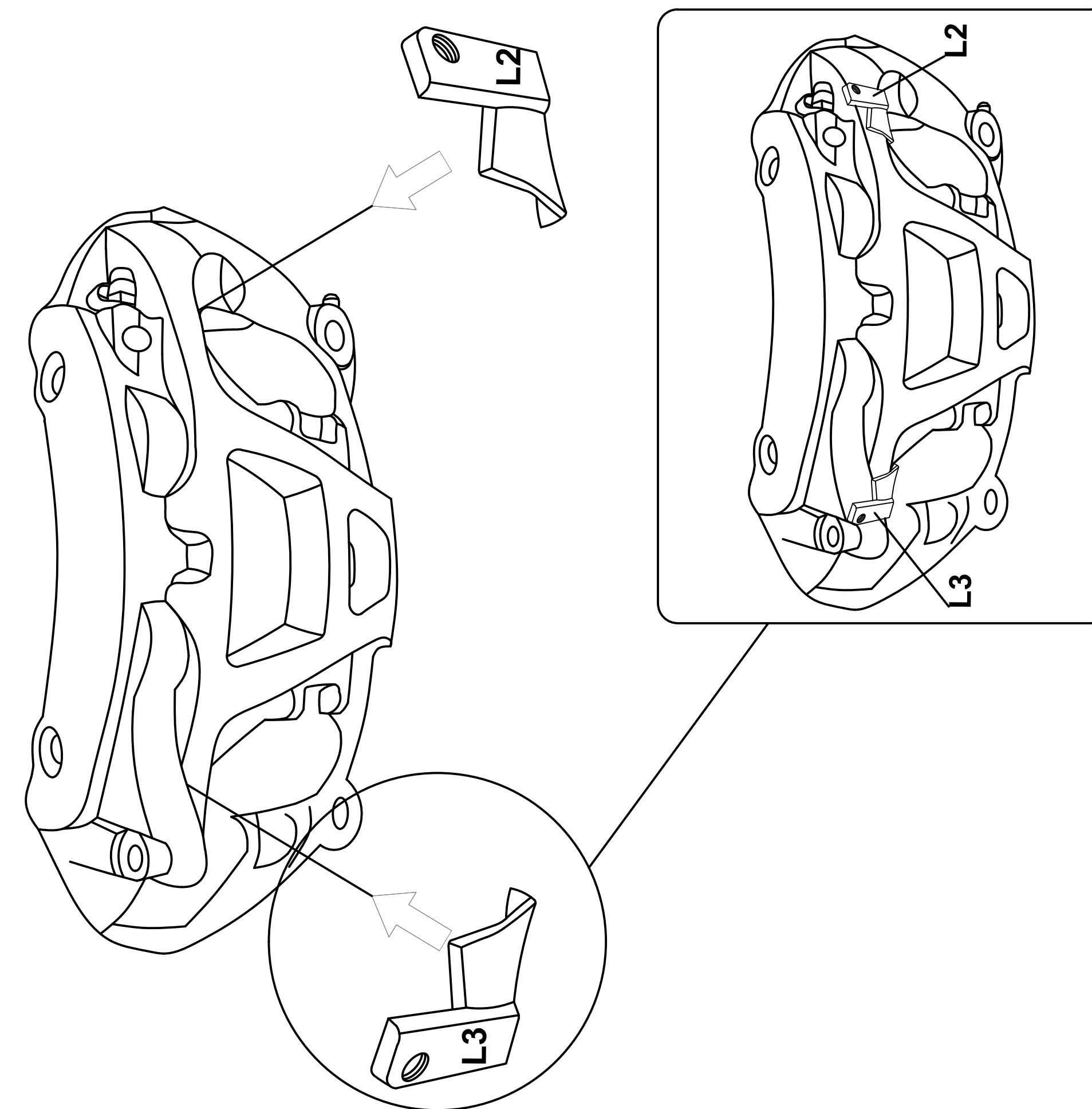
Step 1

将L1朝外放置卡钳内部凹槽，如图所示位置。

Insert L1 buckles into left side of the caliper as picture shown.  
Put side with L1 printed outwards.

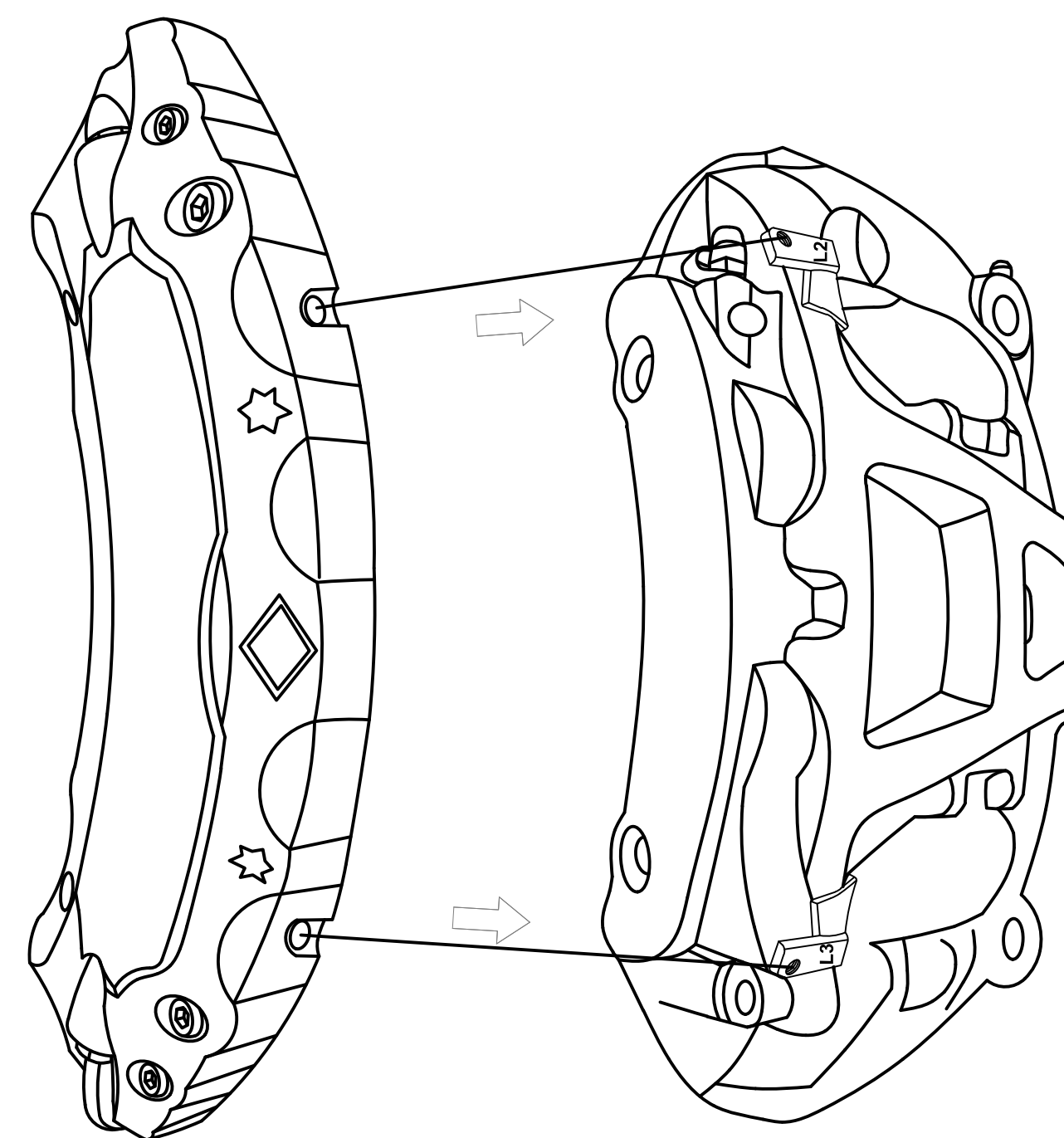


Step 2 将L2放置卡钳上方, L3放置卡钳下方, 如图所示位置。  
Put L2 buckle on top of the caliper, L3 buckle on bottom of the caliper as picture shown.



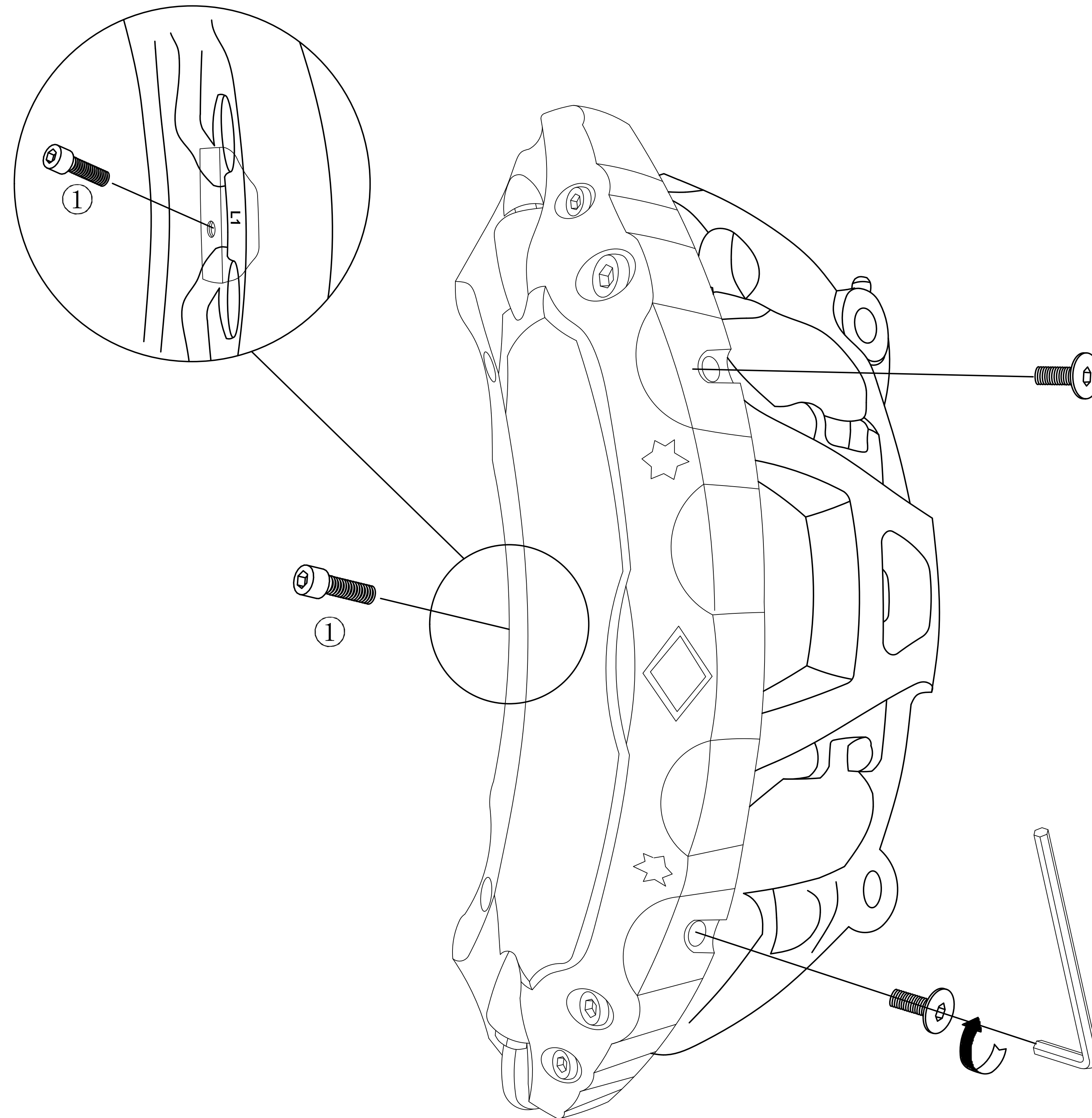
Step 3

将卡钳罩盖在卡钳上。  
Put front left caliper cover over the caliper.

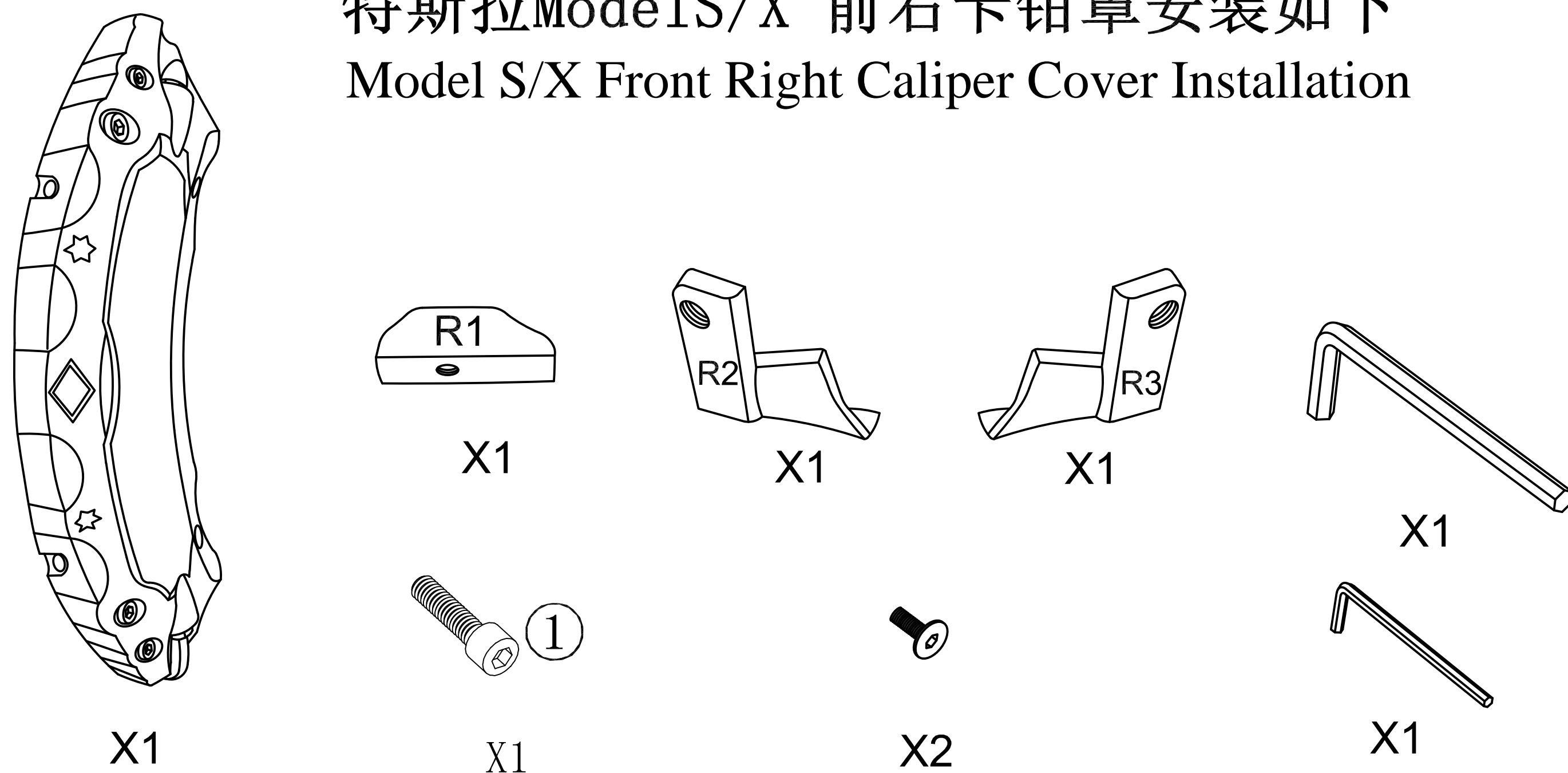


Step 4 将L1配件用①螺丝锁紧，再将L2, L3配件用螺丝锁紧，  
如下图所示位置

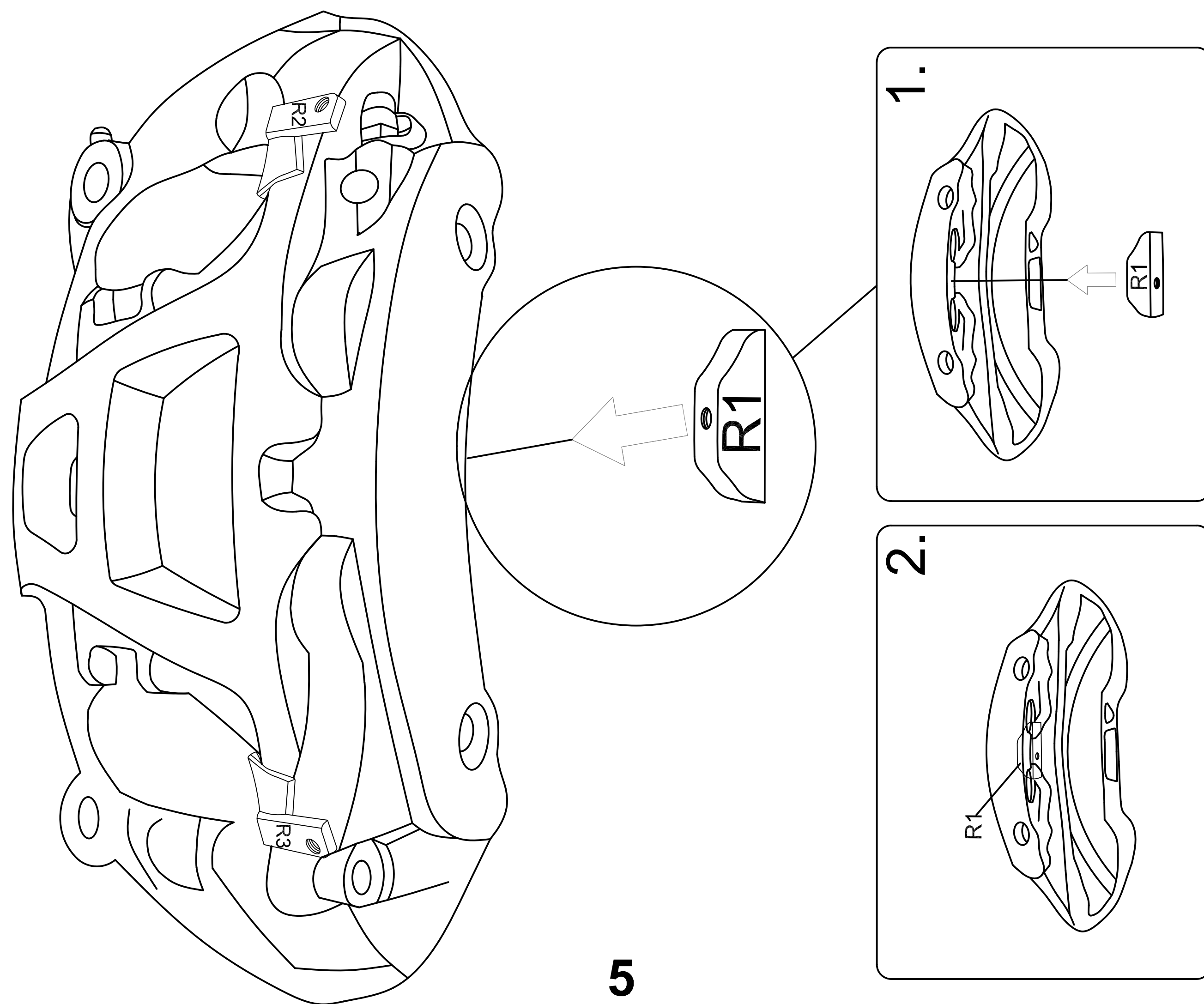
Turning the screw aligning with L1 buckle, turning screws  
aligning with L2 L3 buckles. Then tighten all the screws.



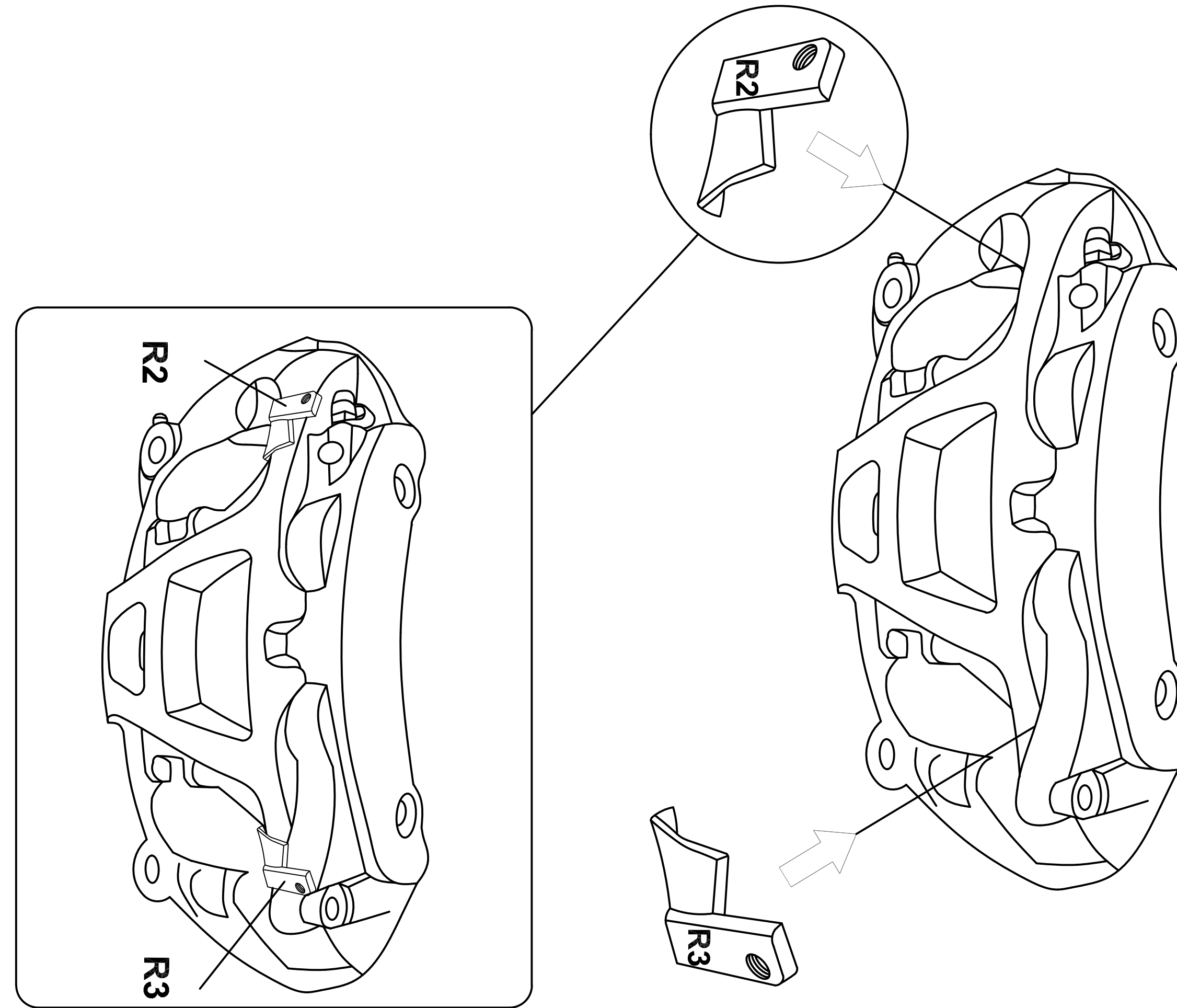
特斯拉Model S/X 前右卡钳罩安装如下  
Model S/X Front Right Caliper Cover Installation



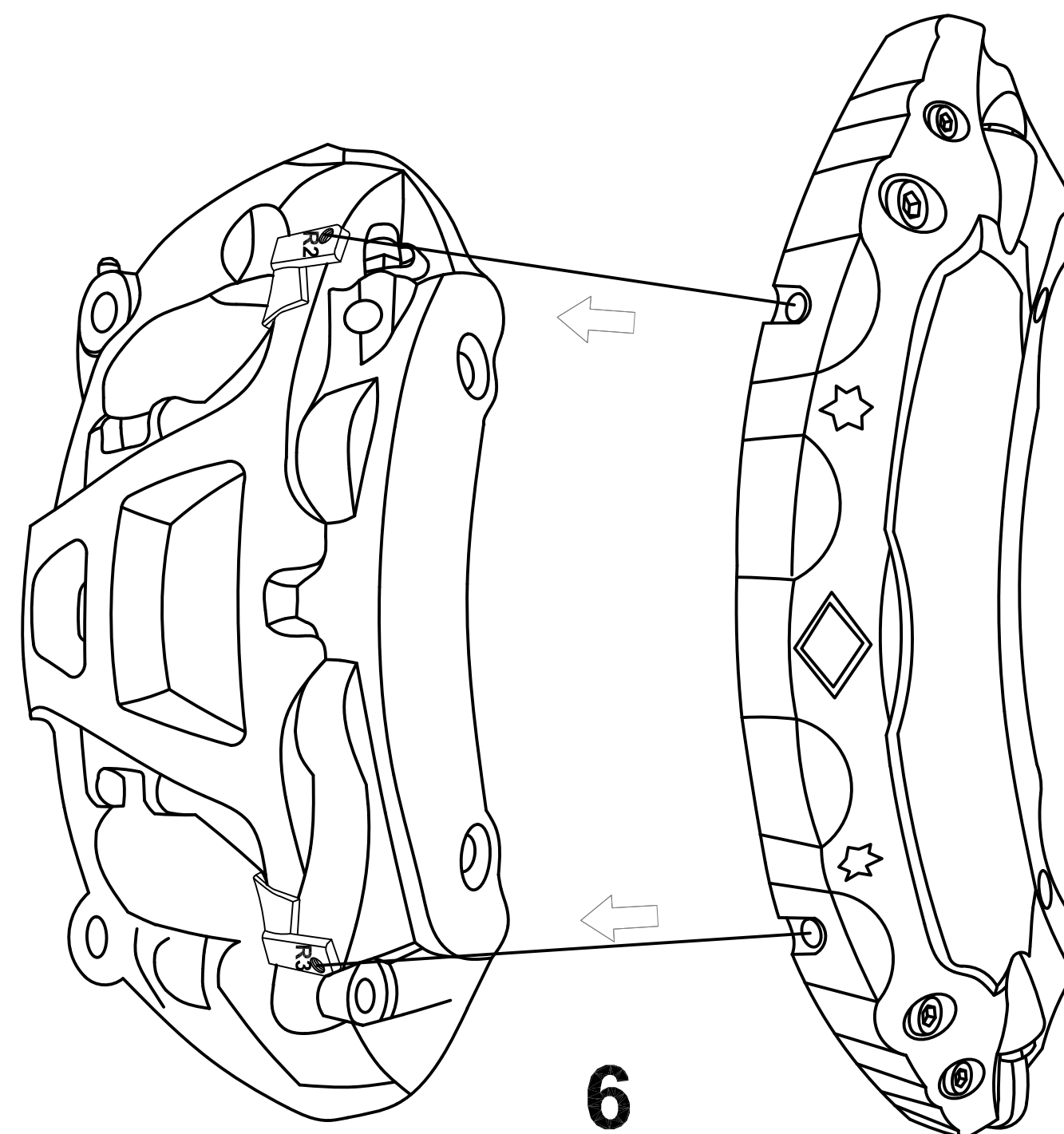
Step 1 将R1朝外放置卡钳内部凹槽，如图所示位置。  
Insert R1 buckle into right side of the caliper as picture shown.  
Put side with R1 printed outwards.



Step 2 将R2放置卡钳上方, R3放置卡钳下方, 如图所示位置。  
Put R2 buckle on top of the caliper, R3 buckle on bottom of the caliper as picture shown.



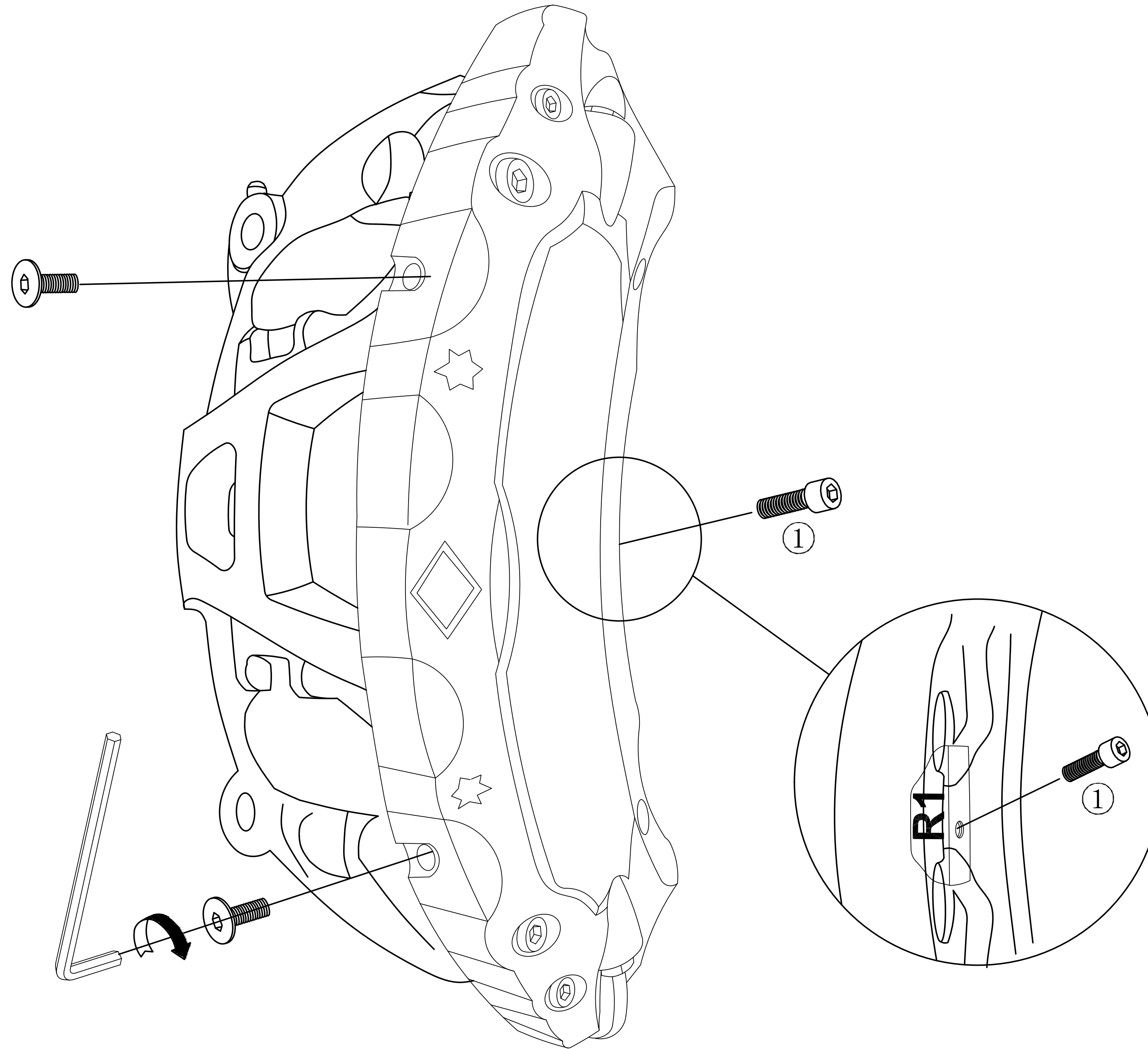
Step 3 将卡钳罩盖在卡钳上。  
Put front right caliper cover over the caliper.





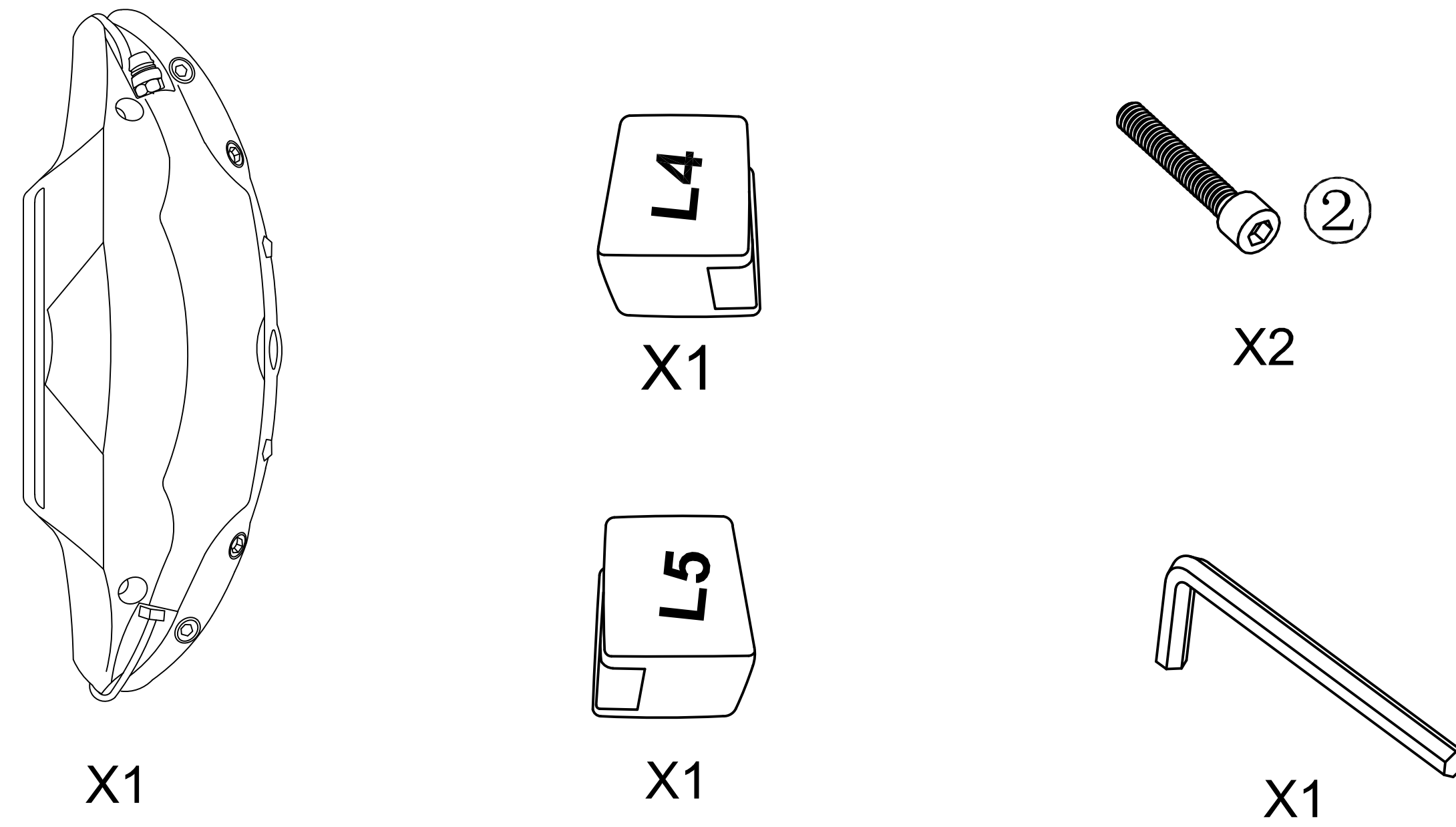
Step 4 将R1配件用①螺丝锁紧，再将R2, R3配件用螺丝锁紧，  
如下图所示位置

Turning the screw aligning with R1 buckle, turning screws  
aligning with R2 R3 buckles. Then tighten all the screws.



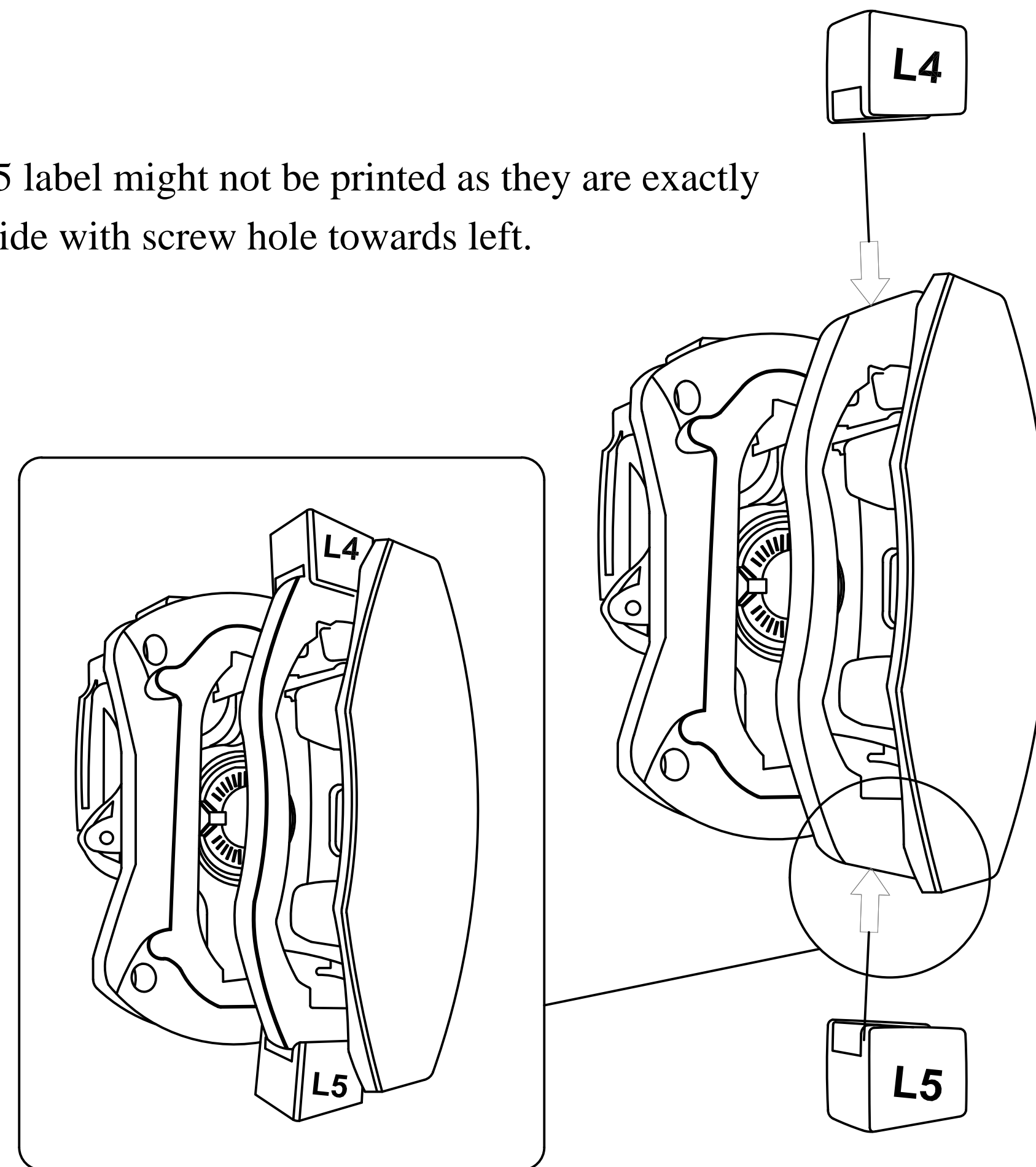


特斯拉Model S/X 后左卡钳罩安装如下  
Rear Left Caliper Cover Installation



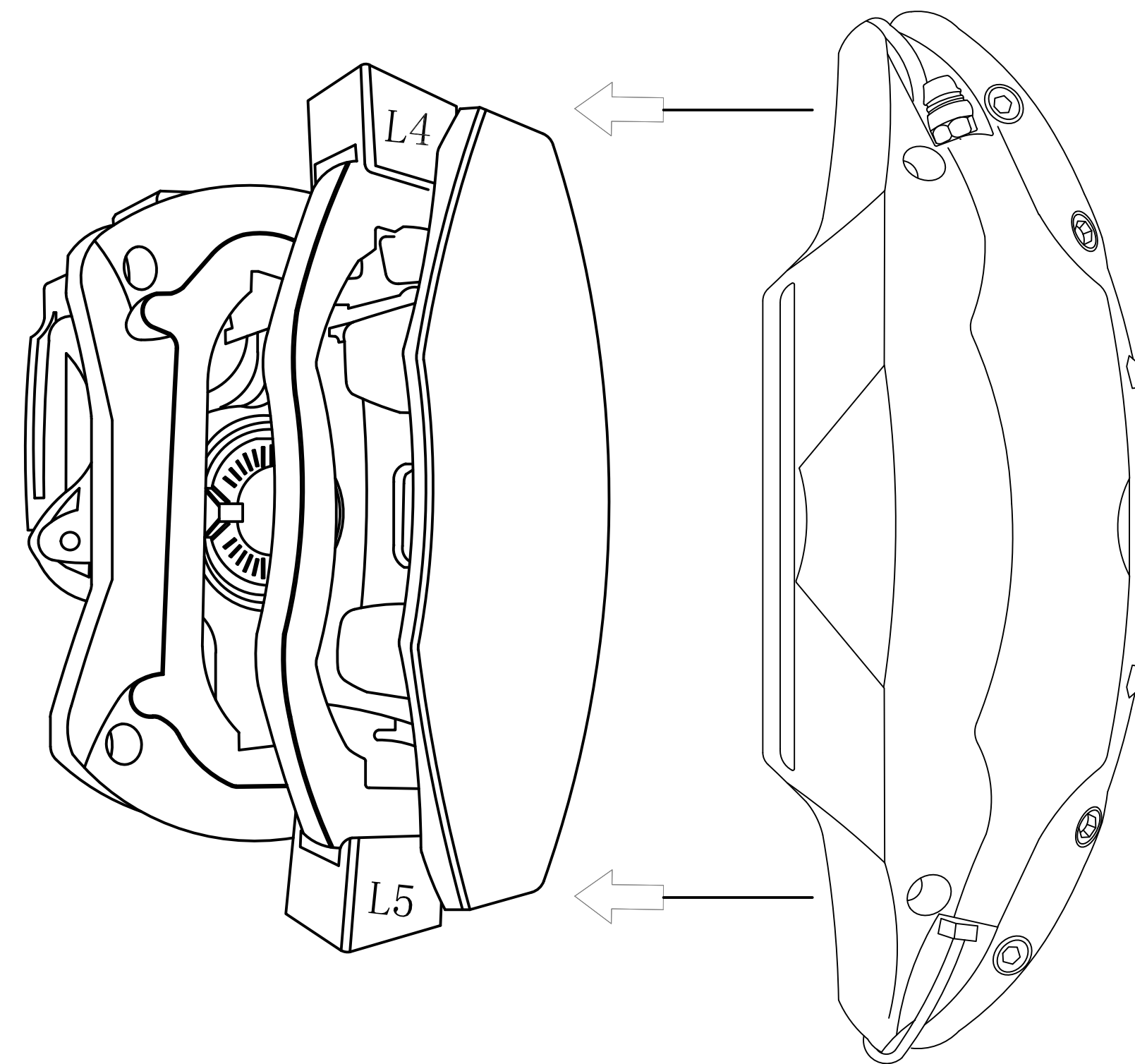
Step 1 将L4配件放置卡钳上方，L5配件放置卡钳下方  
Put L4 buckle on top of the caliper, L5 buckle on bottom of the caliper as picture shown.

Note: L4 L5 label might not be printed as they are exactly the same. Side with screw hole towards left.



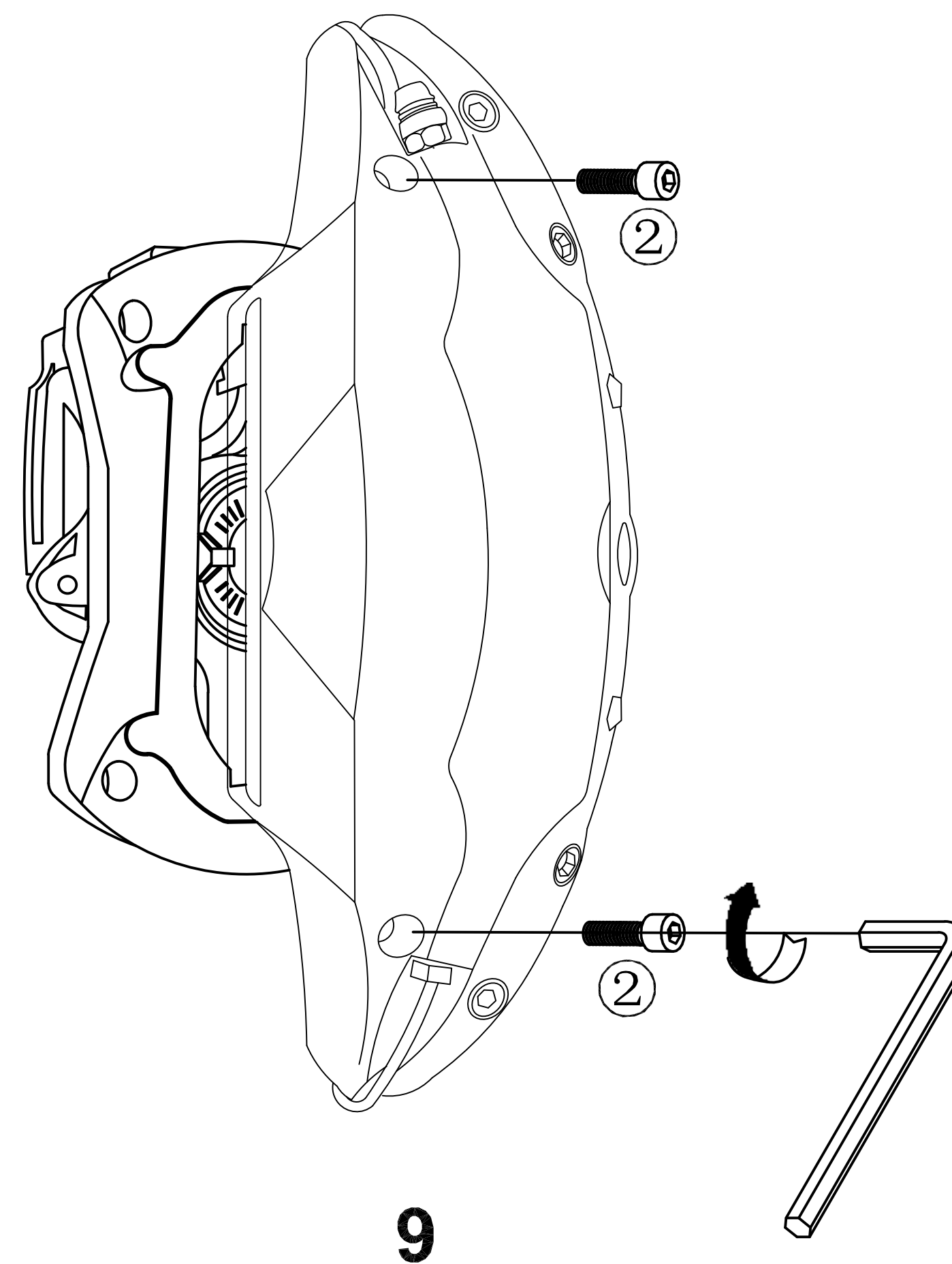
Step 2

将卡钳罩盖在卡钳上  
Put caliper cover over the caliper.

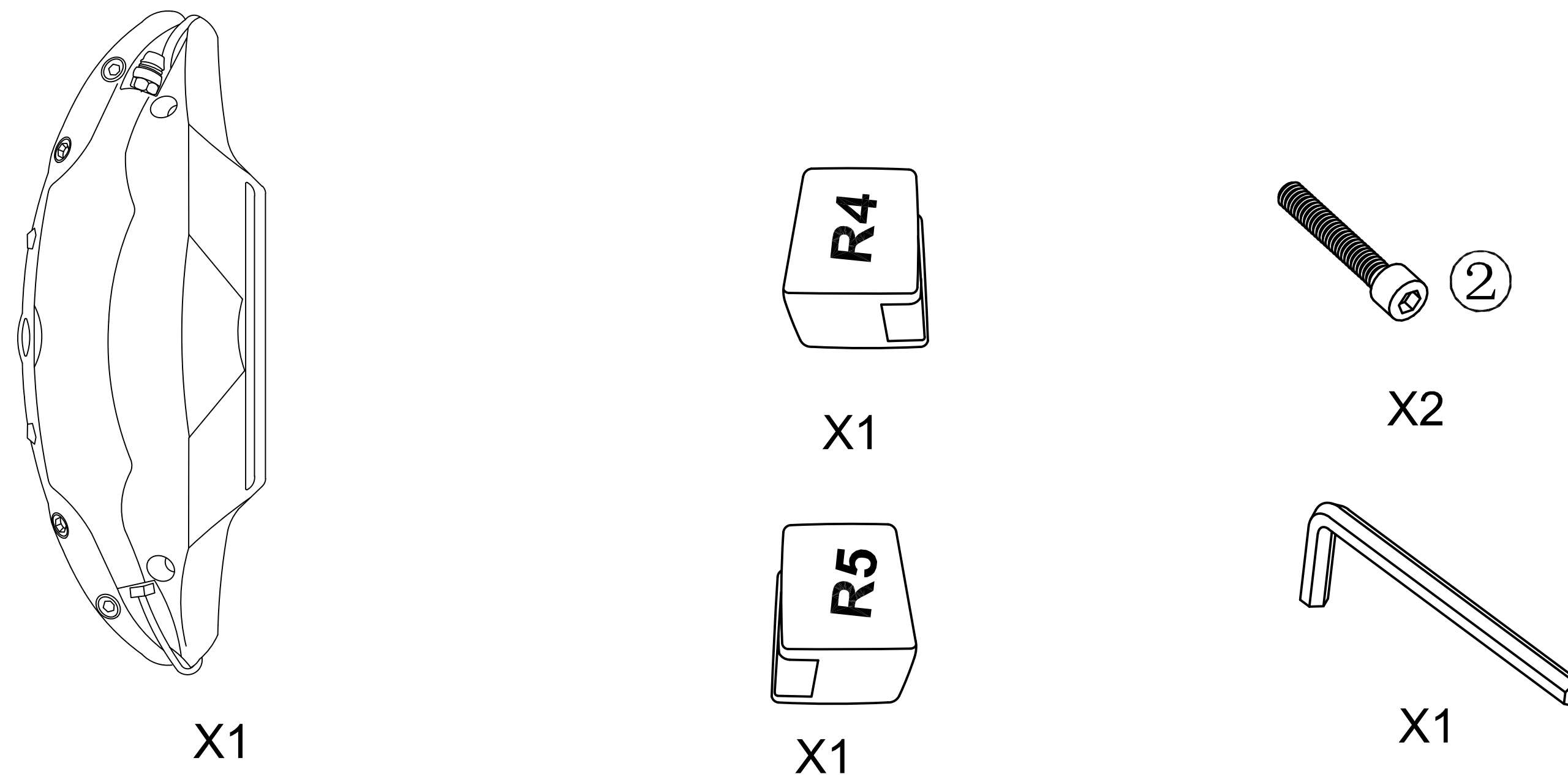


Step 3

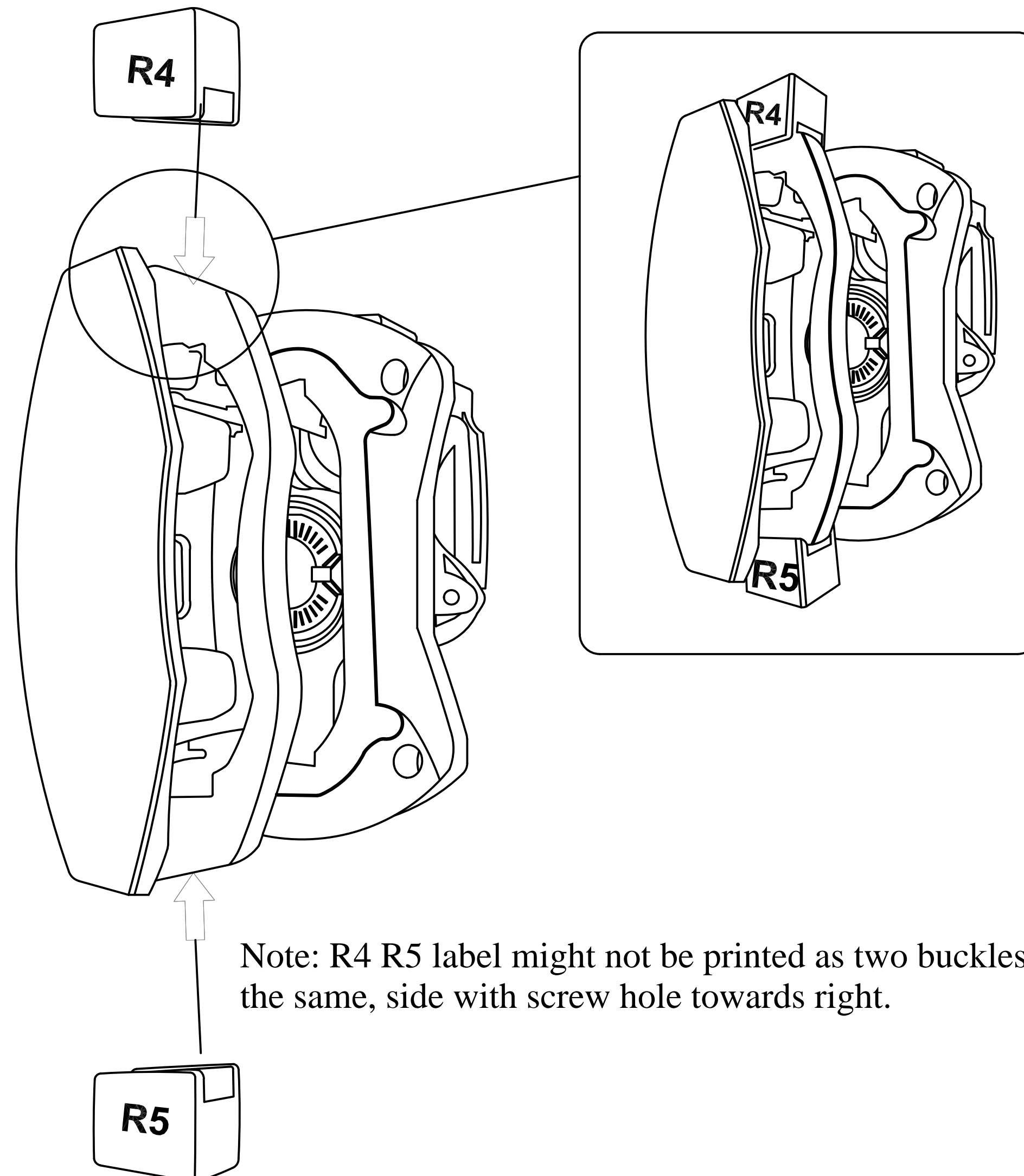
将②长螺丝对好孔位，然后用扳手锁紧  
Turning the screw aligning with the buckles.



特斯拉Model S/X 后右卡钳罩安装如下  
Rear Right Caliper Cover Installation

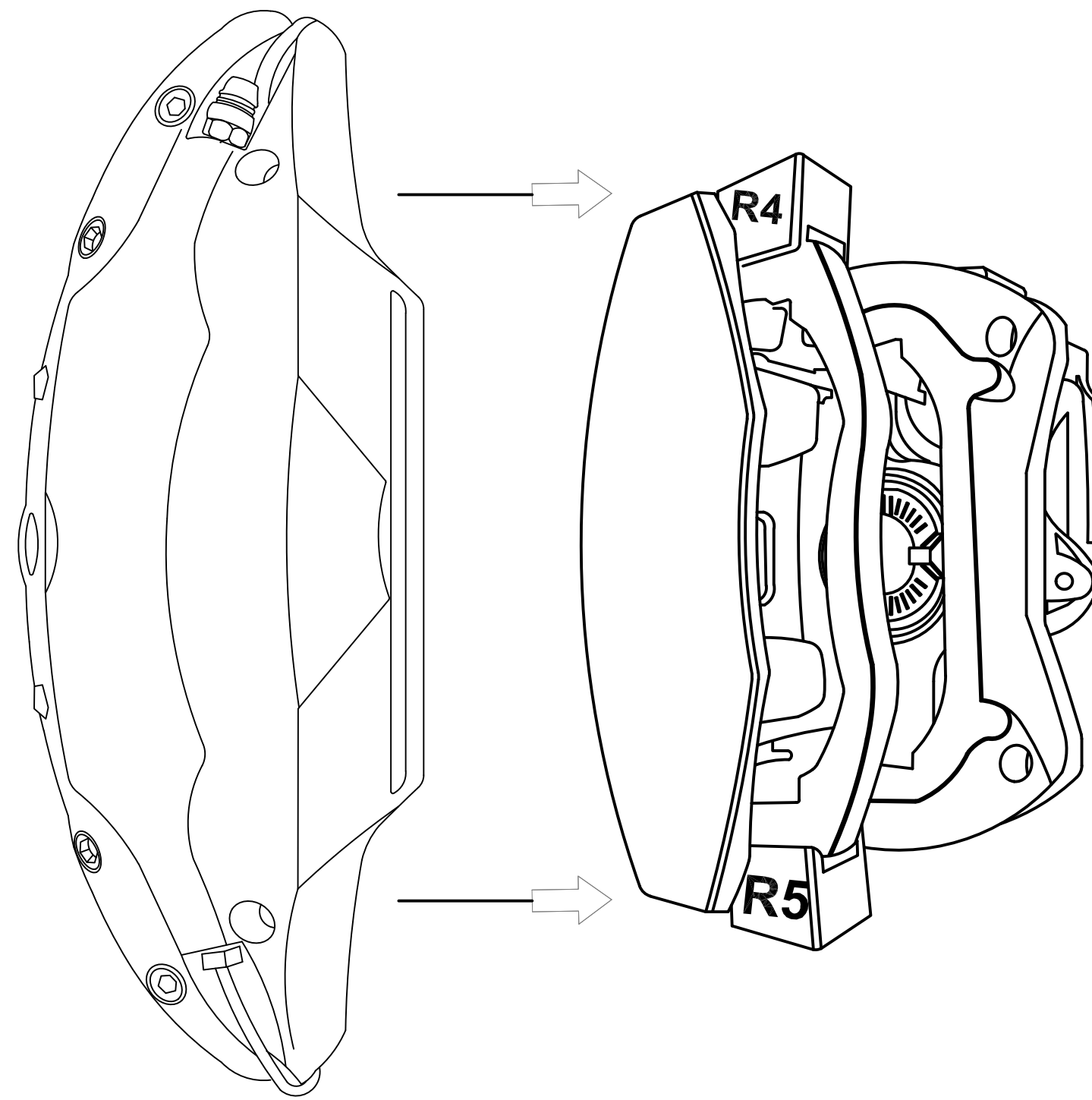


Step 1 将R4配件放置卡钳上方，R5配件放置卡钳下方  
Put R4 buckle on top of the caliper, R5 buckle on bottom of the caliper as picture shown.



Step 2

将卡钳罩盖在卡钳上  
Put caliper cover over the caliper.



Step 3

将②长螺丝对好孔位，然后用扳手锁紧  
Turning screws aligning with buckles.

