

# ETNA



SDC



SCL



10



78



2,7



250



150



150



525x305x350

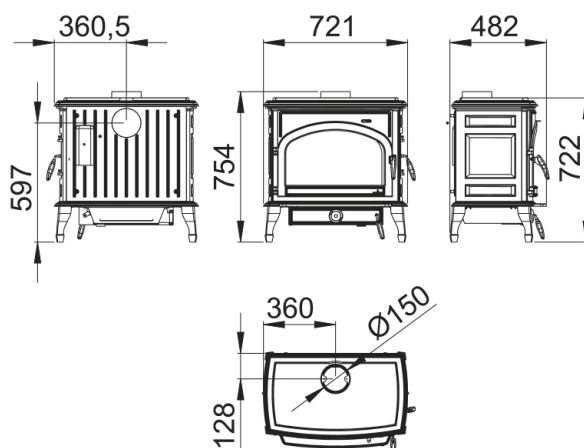


59



## Features

- Double Combustion System
- Clean Glass System
- Heating power: 10kw
- Efficiency (%): 78%
- Consumption (kg/h): 2,7kg/h
- Heating capacity (m3): 250m3
- Cast-iron inside
- Manufactured in cast-iron
- Weight (kg): 150kg
- Smoke exit tube diameter (mm): 150mm
- Useful chamber measures: 525x305x350mm
- Maximum logs size (cm): 59cm
- Top or back outlet



Given the continued improvement of our products and improving our manufacturing process, size, aesthetics and product specifications are subject to change without prior notice from our company.

[www.bronpi.com](http://www.bronpi.com)

