
S T O V E S



Multifuel · Wood · Gas · Electric
2022

10

YEAR GUARANTEE

BRITISH MANUFACTURING





Historically green efficient stoves

Welcome to Portway Stoves

At Portway Stoves we know how important it is to create a stylish and relaxing living environment. That's why we've developed this collection of Multifuel, Wood, Gas, and Electric Stoves to complement all tastes and lifestyles.

I believe our success stems from a combination of innovative design, investment in technology and the highest quality manufacturing standards. As a result I have total confidence and belief in the quality and durability of the product range, and to ensure you receive the very best advice and after sales service, our experienced Portway retailers are fully trained to assist you with your purchase. This brochure has been designed to make choosing your new Portway stove as simple as possible.

I hope you will find it both informative and inspiring.

Richard Jones

Contents

Portway History	4
Peace of Mind	5
Design & Features	6-7
Efficiency	7
Fuel	8-9



Multifuel Stoves

Arundel	10-11
Arundel XL	14-15
Luxima	18-19
P1 Contemporary	26-27
P2 Contemporary	30-31
Rochester 7	34-35
Rochester 5	38-39



Wood Stoves

Arundel XL	16-17
Luxima	20-21



Gas Stoves

Luxima Gemma	22-23
P1 Contemporary	28-29
P2 Contemporary	32-33



Electric Stoves

E-VR Arundel	12-13
E-VR Luxima	24-25
E-VR Rochester	36-37

Stove Options & Accessories	40-41
Stove Dimensions	42-43
Intelligent Design	



Watch the video

Online video

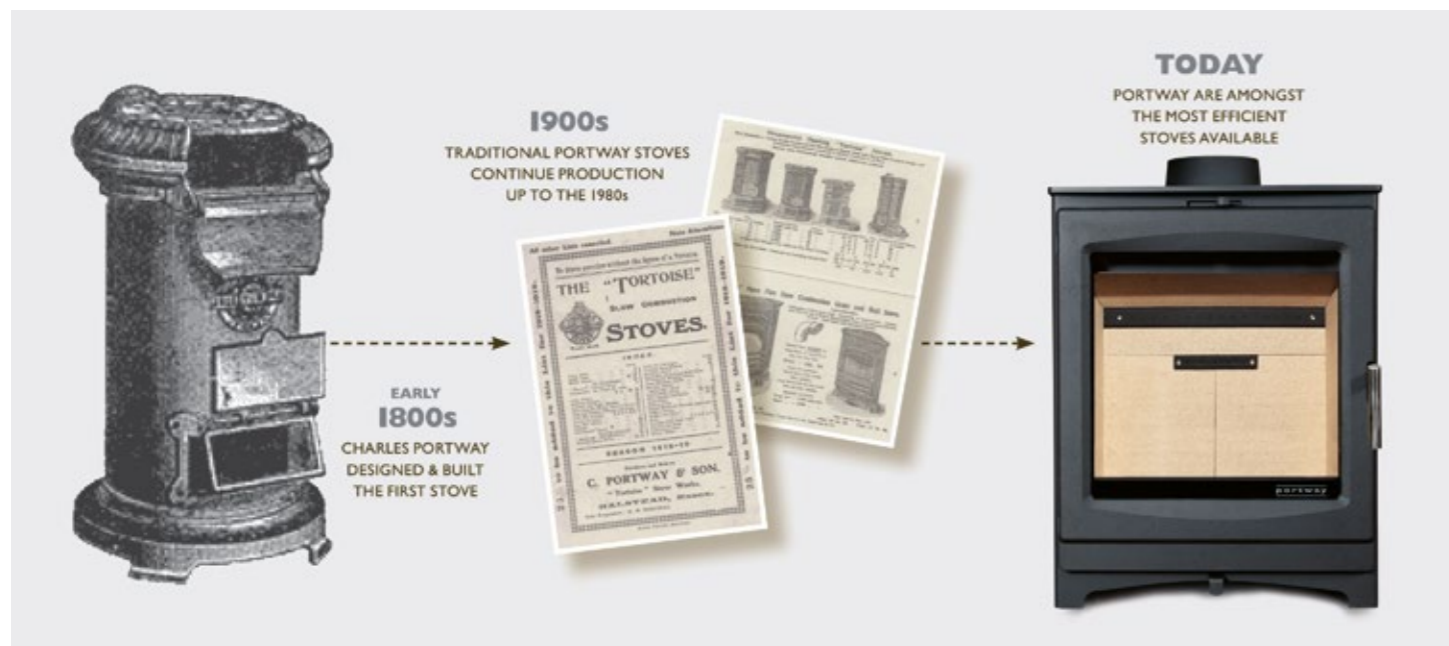
Wherever you see this symbol, use the QR code scanner app on your smartphone or mobile device to watch a short video of this stove.



Charles Portway the founding father of energy efficiency

In the early 1800s the owner of an ironmongery store took inspiration from the very first enclosed metal stoves which appeared in North America at the end of the 1700s and custom built his own stove to heat his Halstead based store.

Soon, a neighbouring shopkeeper asked Charles Portway to build him a stove to heat his store. Shortly afterwards he set up a small foundry manufacturing his Portway solid fuel stove. The stoves became highly successful and remained a very similar design until the 1980's.



The beauty behind the success of Portway's stoves was in their efficiency and they burned so slowly that they extracted the maximum amount of heat from the fuel.

They were named 'Tortoise' stoves and proudly produced with the motto 'Slow but Sure' displayed on the front. These were the first heating appliances to offer fuel efficiency as a major selling point making their role in the development of our industry of great significance today. Robert Higgs, the chief executive of the Heating and Ventilating Contractors Association argues that Portway was the "founding father of energy efficiency".



Portway's stoves were used to heat churches and halls as well as homes and 19th Century stoves displaying the iconic 'Tortoise' trademark can still be found today, making them one of the oldest, most resilient products in the history of heating.



BRITISH MANUFACTURING

Complete peace of mind

Portway stoves are designed, manufactured, tested and independently approved to British Standards. The Portway brand holds a reputation for excellent quality, operational reliability, and high performance efficiency. Our stoves are reliable and efficient, that is why we offer a 10 Year Guarantee for complete peace of mind reassurance.



Ecodesign 2022

Portways next generation of Clean Burn Stoves deliver exceptional standards for fuel efficiency and ultra-low emissions. These high performance stoves ensure smoke emissions and particulates are minimised to exceed impending clean air environmental restrictions for installation suitability into urban and rural areas.



DEFRA Smoke Control Exempt

Exemption is only given to independently tested appliances that demonstrate excellent clean burning combustion standards when burning wood and authorised smokeless fuels in a Smoke Control Area.

Portway Stoves are so efficient and clean burning they have received the Clean Air Act Approval from DEFRA.

Portway Stoves can also be used in smoke free zones in the Republic of Ireland when burning wood or peat briquettes.



Tested & Approved

All Portway solid fuel stoves are independently approved tested to BS EN 13240.



Solid Fuel Stoves

Multifuel and Woodburning Stoves carry a 10* year guarantee against material and manufacturing defects on the stove body. Cast iron parts are guaranteed for 2 years. Consumable components and glass parts are guaranteed for a period of 1 year against material defects, and are subject to the terms and conditions as specified in the guarantee document supplied with the product. *Dalton Multifuel 5 year Guarantee.

Gas stoves

Gas stoves carry a 10 year guarantee against manufacturing and material defects including parts and labour, and is subject to Portway's conditions of guarantee. These include an annual service and annual replacement of the oxy-pilot assembly.



Electric Stoves

Celsi electric stoves provide versatile heating for any room in your home simply by plugging into the nearest mains socket.

A simple to operate experience with optimal energy saving performance and assurance. We are confident you are getting a product that is built to last.

2 Year Guarantee.



Ecodesign Compliant

This logo signifies that Portway Gas products are fully compliant with the Eco design directive Commission Regulation (EU) 2015/1188.



Product Testing & Certification

Our Gas stoves are independently tested to BS EN 613, approved and verified by the British Standards Institution (BSI).

BSI is an independent organisation and are internationally recognised for their technical expertise, quality services and in-depth knowledge of gas and electrical testing certification.

The wide-ranging capability of their testing facilities and the broad expertise and knowledge of their staff ensures our products are rigorously tested with the utmost integrity.



Intelligent design

Portway stoves are amongst the cleanest, most efficient and most easily controllable stoves available today.

high efficiency

Our stoves carry a minimum Class A rating with a maximum energy efficiencies of up to 84%.



A controlled Airwash delivers pre-heated air behind the window for clean glass and perfect smokeless combustion.

The optional Direct Vent Kit emits warm, draught-free air.

Optional Direct Vent Kit

Our stoves have been specifically engineered to be simple in design, easy to use and still produce the lowest levels of carbon monoxide emissions, making them exceptionally clean burning.

The Portway Stoves range is specifically engineered to be simple in design, easy to use and produce the lowest levels of carbon monoxide emissions. The result is a collection of beautiful looking and exceptionally clean burning appliances.

All stoves need air to breathe. There must be a permanent fresh air supply into the space in which it is installed equal to 550mm for each kW of nominal output. This can often be provided by natural drafts or air leaking around door frames etc. It is commonly accepted that this alone may suffice for appliances up to 5kW, but in any case of doubt, fit a purpose-made air vent. Consult with your Hetas installer for more advice on adequate ventilation and the requirements of a Carbon Monoxide monitor.

Portway 1 & 2 models offer a Direct Vent Kit* which means that the correct amount of ventilation is drawn directly into the stove without the need for any additional draughty and unsightly airbricks. Please ask your stockist for further details. Portway's design success can be merited to over 150 years of experience and a dedicated team of research engineers who are amongst the brightest in the industry. As a result our solid fuel stoves are approved using the most sophisticated research and test systems in the industry. Each stove is made from 96% easily recyclable material and all cast parts, such as doors and grates, are manufactured from 70% recycled iron.

*Can only be used when the stove is installed against an external wall.

Features at a Glance

Portway solid fuel stoves have been built with the following design and functionality features.

Ultra slim, wide capacity

All Multifuel Stoves have been specifically designed to be ultra-slim in depth allowing them to be easily installed into existing fireplaces without the need for a protruding hearth. A large width allows for logs of 250mm

Flue outlet

Our free-standing stoves can be flued from the top or the rear and connect to standard 125mm (5") or 150mm (6") stove flue pipe.

Stove lining

A high density vermiculite lining for perfect combustion acting as insulation to limit the loss of heat through the back and sides of the stove and directs it through the front and towards the centre of the room.

Top quality finish

Our Portway steel stove bodies are made from 5mm thick steel and are one of the toughest, most robust on the market. Portway cast iron components are made from the finest quality cast iron. All stoves are finished with black paint. We are so confident in the quality of all our stove bodies that we guarantee them for 10 years.

Large viewing window

The generous width provides a great flame viewing area for you to enjoy the mesmerising and calming effect of real burning flames.



Airwash system

A pre-heated Airwash system keeps the glass window clean and clear by passing a stream of intensely hot air down the inside of the glass preventing flames and combustion particles from having contact with the window.

Easy ashpan handling

Each stove has been designed to include an easy access, easy carry ashpan to make the disposal of ash as simple and mess free as possible. Ashpan not required on Luxima and Arundel XL MK2 Wood models.

Quaternary* and Tertiary Air System

Our quaternary and tertiary air supply uses the pressure difference generated inside the stove to draw in air at very high velocity through precision laser-machined spiracles. Fuel smoke particles are reignited in mid-flight causing additional flame combustion generating more heat and emitting fewer harmful chemicals into the atmosphere.

Simple operating controls

Heat output can be easily adjusted using simple and reliable aeration control.

Secure fixings

Bolt fixings are safely and securely fixed to the hearth before being fastened to the stove.

*Luxima model only

Solid Fuel Stoves

Harnessing the power of nature by burning natural fuels, Portway's range of Multifuel and Woodburning Stoves are dependable, clean burning appliances designed to provide your home with an effective controllable level of heat.

The benefits of running a solid fuel stove are numerous.



Environmental sense

Burning wood is friendly to the environment. Choosing wood to heat our homes helps us to preserve fossil fuel levels and protect valuable earth resources for our future. Replanted trees grown for fuel provide a healthy self-sustaining fuel source, and a positive way to reduce CO2 emissions that are harmful to the environment. Using correctly seasoned wood will increase heat output. New timber is not recommended as it carries excessive moisture and can produce unwanted smoke emissions.



Naturally efficient

Portway's R&D team has invested in developing and refining technology to meet the key objective of producing stoves that not only save energy but, as a result, keep running costs down. Our stoves carry a minimum Class A rating with energy efficiencies of up to 84%.

To achieve the cleanest burn time with maximum efficiency performance we recommend burning natural hard wood logs, and manufactured approved smokeless fuels. Portway stoves can also burn a wide range of other fuels including anthracite, peat briquettes, and other mineral fuels.



Genuine warmth

Portway Multifuel and Woodburning Stoves will provide you with warmth like no other energy source.

Every burn period produces long lasting radiant heat that will maintain your comfort levels whilst returning high efficiency with low emissions when burning natural and renewable fuels.



Electristory Virtual Reality

Conventional electric fires feature flames on a flat screen at the rear of the product, with E-VR Flame Projection Technology we create the flame illusion to the front, the centre, and the rear of the fuel bed. This creates a totally natural log stove effect.



Efficiency

Electric fires are 100% energy efficient, meaning all the heat they produce is pushed out into the room, as no heat is lost in a chimney or flue.

Electristory are capable of operating the flame effect independently to the heat source. This means that if no warmth is required you can choose to enjoy the ambiance of your fireplace year-round, without heating your home. Costing only pennies to run the flame effect.



Versatile Heating

These beautifully crafted electric stoves feature design styles to accommodate both contemporary, and traditional home settings. Best of all with minimal installation you are free to enjoy your stove choice in any room in your home simply by plugging into the nearest mains socket.

Gas Stoves

For immediate warmth and comfort a Portway gas stove will fit right into your busy lifestyle providing instant heat with no mess, no fuss and no reloading of fuel. At the push of a button you can instantly create a warm and welcoming atmosphere.



Easy to use

Controllability with convenience. Fuss free with no mess. Just a few of the many advantages of installing a High Efficiency gas stove from Portway. Operated by a fully automatic remote control handset, you set the temperature you want in your room whilst enjoying a highly realistic log fuel bed and flame pattern giving the look and feel of a real wood burning stove. Simple.



Efficiency

Our R & D team continually develop gas technology to achieve the highest possible efficiency standards. Our gas stoves are designed for simple installation into homes with or without a conventional chimney or flue, and can achieve impressive energy efficiencies of up to 84.2%.

Portway is a brand with heritage and a reputation for the build quality and reliability of our appliances. BFM Europe has always had a reputation as a manufacturer of some of the most efficient gas fires on the market and now we are setting new industry standards with the Portway range of High Efficiency gas stoves - exceptional heat output combined with lower running costs compared to standard gas stoves.



Safety

Your safety is our concern. All Portway products undergo rigorous testing and certification designed to both meet and exceed current legislation and, more importantly, to give you complete peace of mind.

Our stoves are independently tested, approved and verified by the British Standards Institution (BSI) an independent testing authority recognised internationally for their technical expertise, quality services and in depth knowledge of gas testing and certification.

In addition, our gas stoves carry independently tested CE Approval to standard BS EN 613 and are fully compliant with the Eco design directive Commission Regulation (EU) 2015/1188.

See page 5 for more information.

Electric Stoves

View our latest range of Electric Virtual Reality Stoves with superior flame aesthetics. This latest patented design raises the appearance and functionality of electric stoves to a new level.

Advanced Features



THERMOSTATIC HEATING

Pre-set your heat comfort level for automatic temperature control via the handset.



FLAME FUSION

Captivating Indigo blue flame feature creates a colourful impression by fusing soft and natural yellow flames with an attractive flare of blue flame intensity.



TIMER FUNCTION

Programmable 7-day heating timer with hourly on/off control.



LED EFFICIENCY

Controllable flames and fuel bed brightness, our onboard LED's ensure effective energy saving low power consumption.



ISOFLAME

Independent flame effect capable of displaying in isolation when no heat is required from the appliance.



ECODESIGN COMPLIANT

Integrated design features for optimal energy saving performance and assurance.

Arundel

 Multifuel Stove



The Arundel has been developed with aesthetics, efficiency and flexibility in mind. This robust steel bodied Multifuel stove has modern looks with a large clear viewing window that will provide plenty of lively flames. Suitable for most room settings the Arundel offers a heat output of 5kW and an energy efficiency of 82.5% allowing it to be both cost effective and heat efficient. The Arundel is suitable for use in Smoke Control Areas, as recommended by DEFRA.



FEATURES

- + 5mm thick steel body
- + Cast Iron door and grate
- + Large viewing window
- + Simple operating controls
- + Slim depth installation
- + Tertiary air supply
- + Clean glass Airwash system
- + Large easy-carry ashpan
- + Takes log lengths up to 250mm (10")
- + 125mm (5") top or rear flue connection
- + Approved to standard BS EN 13240
- + DEFRA Smoke Control Exempt
- + EU Clean Stove Standard
- + Weight - 74kg

OPTIONAL EXTRAS

- + Stove Thermometer
- Options & Accessories page 32-33.



Specifications

Energy class	Useful energy efficiency	Fuel type	Direct heat output	Model number
A+	82.5%	Multifuel	5.0kW	Mk3 - PCMSB3

Description:
Multifuel Stove

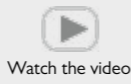




ER Arundel



Electric Stove



E-VR Arundel is a next-generation steel bodied electric stove benefiting from patented flame projection technology. Celsi is now taking electric stoves to the next level in both functionality and aesthetics. Conventional electric stoves feature flames on a flat-screen at the rear of the product, with Electristove Virtual Reality we create the flame illusion to the front, the centre, and the rear of the fuel bed. This creates a totally natural real fire effect.



WOODLAND LOGS
FUEL EFFECT

FEATURES

- + Flame Projection Technology
- + Tough steel body
- + Customisable fuel effect
- + Silver birch logs
- + Crystal ash embers
- + Single or dual colour flame
- + LED brightness control
- + Thermostatic remote & manual control operation
- + Weight - 29.5kg

OPTIONAL EXTRAS

- + Woodland logs fuel effect
- Options & Accessories page 40-41.



Specifications

Energy efficiency	Fuel type	Direct heat output	Model number	Description: Electric Stove
100%	Electric	1.0kW - 2.0kW	CEVRSARE	



Arundel XL

Multifuel Stove



Watch the video

The **Arundel XL** is a hard working steel bodied Multifuel stove featuring a striking extra large viewing window, a tough cast iron door, and a log retaining bar that is not only functional but also enhances the overall stove aesthetics. Incorporating high efficiency Portway technology this large Class A+ appliance attains a heat output of 5.0kW.

FEATURES

- + 5mm thick steel body
- + Cast Iron door and grate
- + Extra Large viewing window
- + Simple operating controls
- + Slim depth installation
- + Tertiary air supply
- + Clean glass Airwash system
- + Large easy-carry ashpan
- + Takes log lengths up to 250mm (10")
- + 125mm (5") top or rear flue connection
- + Approved to standard BS EN 13240
- + DEFRA Smoke Control Exempt
- + EU Clean Stove Standard
- + Weight - 98kg

OPTIONAL EXTRAS

- + Wood Stove conversion kit
 - + Stove Thermometer
- Options & Accessories page 32-33.



Specifications

Energy class	Useful energy efficiency	Fuel type	Direct heat output	Model number	Description:
A+	84.0%	Multifuel	5.0kW	Mk2 - PCMSBXL2	Multifuel Stove





Arundel XL

Wood Stove

FEATURES

- + 5mm thick steel body
- + Cast Iron door and grate
- + Extra Large viewing window
- + Simple operating controls
- + Slim depth installation
- + Tertiary air supply
- + Clean glass Airwash system
- + Large easy-carry ashpan
- + Takes log lengths up to 250mm (10")
- + 125mm (5") top or rear flue connection
- + Approved to standard BS EN 13240
- + DEFRA Smoke Control Exempt
- + EU Clean Stove Standard
- + Weight - 98kg

OPTIONAL EXTRAS

- + Stove Thermometer
- Options & Accessories page 32-33.

The Arundel XL Wood burning stove. This hard working steel bodied stove features a striking extra large viewing window, a tough cast iron door, and a log retaining bar that is not only functional but also enhances its overall aesthetics. Incorporating high efficiency Portway technology this large Class A+ appliance attains a heat output of 5.0kW.

portway
STOVES

10
YEAR GUARANTEE



Watch the video



Specifications

Energy class	Useful energy efficiency	Fuel type	Direct heat output	Model number
A+	82.0%	Wood	5.0kW	Mk2 - PCWSBXL2

Description:
Wood Stove



Watch the video

Luxima

Multifuel Stove

Luxima has a tough thick steel body with a large windowed warp-free cast iron door, allowing maximum viewing angles of the impressive fuel bed. This stove is exceptionally easy to operate with precision controllability providing long lasting burn periods.

FEATURES

- + 5mm thick steel body
- + Cast Iron door and grate
- + Extra Large viewing window
- + Simple operating controls
- + Slim depth installation
- + Quaternary air supply
- + Clean glass airwash system
- + Large easy-carry ashpan
- + Takes log lengths up to 250mm (10")
- + 125mm (5") top or rear flue connection
- + Direct air system
- + Approved to standard BS EN 13240
- + DEFRA Smoke Control Exempt
- + EU Clean Stove Standard
- + Weight - 87kg
- + Supplied with Stove Thermometer

OPTIONAL EXTRAS

- + Wood Stove conversion kit
- Options & Accessories page 32-33.



Specifications

Energy class	Useful energy efficiency	Fuel type	Direct heat output	Model number
A	75.0%	Multifuel	5.0kW	PLXMF

Description:
Multifuel Stove



10
YEAR GUARANTEE

Luxima

 Wood Stove

Luxima is a dedicated Wood stove with a tough thick steel body, a large warp-free cast iron door providing maximum viewing angles of the impressive fuel bed. The Luxima is a simple to operate stove with precision controllability and high performance.



Watch the video

FEATURES

- + 5mm thick steel body
- + Cast Iron door and grate
- + Extra Large viewing window
- + Simple operating controls
- + Slim depth installation
- + Quaternary air supply
- + Clean glass airwash system
- + Takes log lengths up to 250mm (10")
- + 125mm (5") top or rear flue connection
- + Direct air system
- + Approved to standard BS EN 13240
- + DEFRA Smoke Control Exempt
- + EU Clean Stove Standard
- + Weight - 87kg
- + Supplied with Stove Thermometer

OPTIONAL EXTRAS

Options & Accessories page 32-33.





LUXIMA GEMMA BLACK ENAMEL



FEATURES

- + 5mm thick steel body
- + Cast Iron door
- + Extra large viewing window
- + Realistic log effect fuel bed
- + Fully automatic thermostatic remote control system
- + Slim depth installation
- + Stylish chrome handle
- + High quality black paint finish
- + 125mm (5") top or rear flue connection
- + Approved to standard BS EN 613
- + Weight - 82kg Conventional Flue
- + Weight - 75kg Balanced Flue

OPTIONAL EXTRAS

- + Cream Vermiculite interior
Part No. 1188-1028593
 - + Linerless flue kit
Part No. 1188-1028579
 - + Closure plate trim kit
 - + Offset flue pipe kit
- Options & Accessories page 32-33.

Luxima Gemma

Gas Stove

The Luxima Gemma is a luxurious gas stove with a log burning fuel effect delivering stunning realism. The Conventional flue model is available with a black enamelled interior, or if preferred an option to create a traditional stove appearance similar to our natural woodburning stoves, with a cream vermiculite interior.

The Balanced flue model has an impressive 84% energy efficiency, and features a rear vented horizontal flue system, with a solid steel top that does not require a flue collar.

Controlling the Luxima gas stove is made simple via the fully automatic remote control handset. Choose your desired comfort level with the thermostatic setting, then sit back and enjoy luxury warmth from a product that looks sensational and performs brilliantly.

portway
STOVES

10
YEAR GUARANTEE



Conventional Flue



Balanced Flue



CONVENTIONAL FLUE
CREAM VERMICULITE



BALANCED FLUE
BLACK ENAMEL



Specifications

Energy class	Useful energy efficiency	Fuel type	Direct heat output	Model number
E	Rear flue 73% Vertical flue 68%	Gas	4.6kW	PLGSECRN Conventional Flue
C	Rear flue 84%	Gas	3.0kW	PLBFECRN Balanced Flue

Description:
Gas Stove



ER Luxima



Electric Stove



E-VR Luxima is a next-generation steel bodied electric stove benefiting from patented flame projection technology. Celsi is now taking electric stoves to the next level in both functionality and aesthetics. Conventional electric stoves feature flames on a flat-screen at the rear of the product, with Electristove Virtual Reality we create the flame illusion to the front, the centre, and the rear of the fuel bed. This creates a totally natural real fire effect.



WOODLAND LOGS
FUEL EFFECT

FEATURES

- + Flame Projection Technology
- + Tough steel body
- + Customisable fuel effect
- + Silver birch logs
- + Crystal ash embers
- + Single or dual colour flame
- + LED brightness control
- + Thermostatic remote & manual control operation
- + Weight - 29.5kg

OPTIONAL EXTRAS

- + Woodland logs fuel effect
- Options & Accessories page 40-41.



Specifications

Energy efficiency	Fuel type	Direct heat output	Model number	Description:
100%	Electric	1.0kW - 2.0kW	CEVRSLRE	Electric Stove





PI CONTEMPORARY WITH LOG STORE



FEATURES

- + 5mm thick steel body
- + Cast Iron door and grate
- + Large viewing window
- + Simple operating controls
- + Slim depth installation
- + Tertiary air supply
- + Clean glass airwash system
- + Large easy-carry ashpan
- + Takes log lengths up to 250mm (10")
- + 125mm (5") top or rear flue connection
- + Approved to standard BS EN 13240
- + DEFRA Smoke Control Exempt
- + EU Clean Stove Standard
- + Weight - 70kg
- + Supplied with Stove Thermometer

OPTIONAL EXTRAS

- + PI Log Store
 - + Low legs (150mm)
 - + High Legs (300mm)
 - + Flue Collar: 150mm (6")
 - + Direct Vent Kit
- Options & Accessories page 32-33.

PI Contemporary



Multifuel Stove

The PI Contemporary is a clean burning and highly efficient Multifuel stove with a large viewing window. This compact contemporary steel stove has a slim body to allow it to be installed in a wider range of settings. Customisable high, and low leg extensions provide extra height with modern aesthetics for more spacious inglenooks and chamber settings. Alternatively choose to create a standalone feature stove with our dedicated log store model.

portway
STOVES

10
YEAR GUARANTEE



Watch the video



PI CONTEMPORARY
WITH LOW LEGS



PI CONTEMPORARY
WITH LOW LEGS

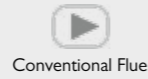


Specifications

Energy class	Useful energy efficiency	Fuel type	Direct heat output	Model number
A	77.2%	Multifuel	4.9kW	PN1MFB3
Description: Multifuel Stove				PN1MFB3233 Log Store Model

PI Contemporary

Gas Stove



Conventional Flue



Balanced Flue

The PI Contemporary is one of the most realistic Gas Stoves on the market. It comes with an extremely realistic log fuel bed and is operated by a fully automatic remote control system. At the push of a button you can instantly create a warm and welcoming atmosphere. The PI Gas stove is suitable for installation into standard brick chimneys and pre-fabricated flues. The Balanced flue model has an impressive 84.2% energy efficiency, and features a rear vented horizontal flue system. The Balanced flue model comes with a solid steel top and does not require a flue collar.



PI CONTEMPORARY
BALANCED FLUE

FEATURES

- + 5mm thick steel body
- + Cast Iron door
- + Large viewing window
- + Realistic log fuel effect
- + Fully automatic thermostatic remote control system
- + Slim depth installation
- + 125mm (5") top or rear flue connection
- + Stylish chrome handle
- + High quality black paint finish
- + Approved to standard BS EN 613
- + Weight - 72kg Conventional Flue
- + Weight - 65kg Balanced Flue

OPTIONAL EXTRAS

Conventional flue

- + Coal fuel effect Part No. B-168410
- + Flue offset collar Part No. B-1178420

Balanced flue

- + 830mm flue extension Part No. B-187420A



PI CONTEMPORARY
COAL EFFECT



PI CONTEMPORARY LOG EFFECT

Specifications

Energy class	Useful energy efficiency	Fuel type	Direct heat output	Model number	Description: Gas Stove
D	81.4%	Gas	4.2kW	PGSL01RN2	Conventional Flue
C	84.2%	Gas	3.4kW	PBFL00RN	Balanced Flue





P2 CONTEMPORARY WITH LOG STORE

FEATURES

- + 5mm thick steel body
- + Cast Iron door and grate
- + Large viewing window
- + Simple operating controls
- + Slim depth installation
- + Tertiary air supply
- + Clean glass airwash system
- + Large easy-carry ashpan
- + Takes log lengths up to 250mm (10")
- + 125mm (5") top or rear flue connection
- + Approved to standard BS EN 13240
- + DEFRA Smoke Control Exempt
- + EU Clean Stove Standard
- + Weight - 81.5kg
- + Supplied with Stove Thermometer

OPTIONAL EXTRAS

- + P2 Log Store
 - + Low legs (150mm)
 - + High Legs (300mm)
 - + Output reducing bricks to 5kW
 - + Flue Collar: 150mm (6")
 - + Direct Vent Kit
- Options & Accessories page 32-33.

P2 Contemporary



Multifuel Stove

The P2 Contemporary is a steel-bodied Multifuel Stove with a cast iron door featuring a large viewing window. Simple and easy to operate controls offer responsive heat adjustment and provide longer more efficient slow-burning fuel control. This Portway stove can be purchased with low leg and high leg extensions that create space for under stove log storage.

Our dedicated log store model creates further modern styling as a feature standalone stove, alternatively providing additional height to accommodate taller inglenook fireplaces.

portway
STOVES

10
YEAR GUARANTEE



Watch the video



P2 CONTEMPORARY



P2 CONTEMPORARY
WITH LOW LEGS



Specifications

Energy class	Useful energy efficiency	Fuel type	Direct heat output	Model number
A	76.0%	Multifuel	8.0kW 5.0kW with reducing bricks	PN2MFB3
Description: Multifuel Stove				PN2MFB3234 Log Store Model



P2 CONTEMPORARY GAS WITH LOGS



FEATURES

- + 5mm thick steel body
- + Cast Iron door
- + Large viewing window
- + Realistic log fuel effect
- + Fully automatic thermostatic remote control system
- + Slim depth installation
- + 150mm (6") top or rear flue connection
- + Stylish chrome handle
- + High quality black paint finish
- + Approved to standard BS EN 613
- + Weight - 84kg

OPTIONAL EXTRAS

- + Coal fuel effect. Part No. B-120670

P2 Contemporary

 Gas Stove

The Portway 2 Contemporary is one of the most realistic Gas Stoves on the market. Based on the popular styling of the Portway 2 Contemporary stove it is available in a choice of log or coal fuel bed and is operated by a fully automatic remote control system. At the push of a button you can instantly create a warm and welcoming atmosphere. The Portway 2 Gas stove has an impressive maximum heat output of 4.2kW and is suitable for installation into standard brick chimneys and pre-fabricated flues.

portway
STOVES

10
YEAR GUARANTEE



Watch the video



P2 CONTEMPORARY
COAL FUEL EFFECT



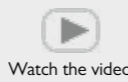
Specifications

Energy class	Useful energy efficiency	Fuel type	Direct heat output	Model number
E	68%	Gas	4.2kW	PGSL00RN2

Description:
Gas Stove

Rochester 7

Multifuel Stove



The Rochester 7 is an elegantly styled Multifuel Stove with attractive cast iron stovetop cornice, beautifully detailed curved door, and robust base. Features include a smart black or chrome door trim, chrome door handle and control sliders. This powerful stove has an impressive heat output of 7.0kW making it an attractive choice for medium to large sized rooms.



ROCHESTER 7
CHROME DOOR TRIM

FEATURES

- + 5mm thick steel body
- + Cast Iron curved door, stovetop, base feet and grate
- + Extra Large viewing window
- + Simple operating controls
- + Slim depth installation
- + Tertiary air supply
- + Clean glass airwash system
- + Large easy-carry ashpan
- + Takes log lengths up to 250mm (10")
- + 125mm (5") top or rear flue connection
- + Approved to standard BS EN 13240
- + DEFRA Smoke Control Exempt
- + EU Clean Stove Standard
- + Weight - 102kg

OPTIONAL EXTRAS

- + Output reducing bricks to 5kW
 - + Stove Thermometer
- Options & Accessories page 32-33.



ROCHESTER 7 BLACK DOOR TRIM

Specifications

Energy class	Useful energy efficiency	Fuel type	Direct heat output	Model number	Description: Multifuel Stove
A	78.2%	Multifuel	7.0kW 5.0kW with reducing bricks	Mk2 - PCSSB2 - Chrome door trim Mk2 - PCSSBB2 - Black door trim	





ER Rochester



Electric Stove



E-VR Rochester is a next-generation steel bodied electric stove benefiting from patented flame projection technology. Celsi is now taking electric stoves to the next level in both functionality and aesthetics. Conventional electric stoves feature flames on a flat-screen at the rear of the product, with Electristove Virtual Reality we create the flame illusion to the front, the centre, and the rear of the fuel bed. This creates a totally natural real fire effect.



WOODLAND LOGS
FUEL EFFECT

FEATURES

- + Flame Projection Technology
- + Tough steel body
- + Curved door design
- + Customisable fuel effect
- + Silver birch logs
- + Crystal ash embers
- + Single or dual colour flame
- + LED brightness control
- + Thermostatic remote & manual control operation
- + Weight - 29.5kg

OPTIONAL EXTRAS

- + Woodland logs fuel effect
- Options & Accessories page 40-41.



Specifications

Energy efficiency	Fuel type	Direct heat output	Model number	Description:
100%	Electric	1.0kW - 2.0kW	CEVRSRRE	Electric Stove



Rochester 5

Multifuel Stove



Watch the video

The Rochester 5 Multifuel has petite proportions that are perfect for small to medium sized rooms. Elegant cast iron components are what makes this stove so beautiful. The curved door features a fitted Chrome or optional Black trim. The stovetop is decorative with cornice bevelled edge design. The base legs are robust and sturdy, and the large viewing window displays lively flames whilst providing 4.9kW of substantial heating with high fuel efficiency for your home.



ROCHESTER 5
BLACK DOOR TRIM

FEATURES

- + 5mm thick steel body
- + Cast Iron curved door, stovetop, base feet and grate
- + Large viewing window
- + Simple operating controls
- + Slim depth installation
- + Tertiary air supply
- + Clean glass airwash system
- + Large easy-carry ashpan
- + Takes log lengths up to 250mm (10")
- + 125mm (5") top or rear flue connection
- + Approved to standard BS EN 13240
- + DEFRA Smoke Control Exempt
- + EU Clean Stove Standard
- + Weight - 87kg

OPTIONAL EXTRAS

- + Stove Thermometer
- Options & Accessories page 32-33.



ROCHESTER 5 CHROME DOOR TRIM

Specifications

Energy class	Useful energy efficiency	Fuel type	Direct heat output	Model number	Description: Multifuel Stove
A+	81.3%	Multifuel	4.9kW	Mk2 - PCSSB52 - Chrome door trim Mk2 - PCSSB5B2 - Black door trim	



Options & Accessories

Leg Extensions & Log Stores

PI & P2 Contemporary Stoves have the option to be installed with additional overall height by fitting high legs, low legs, or a dedicated log storage unit. These extensions are designed to blend-in with the stove body, and create space for under-stove log storage. These options appeal to consumers wishing to create a modern standalone feature stove with log storage, and to assist with extra height when accommodating taller inglenook fireplaces.



High Legs (300mm)
Part No. B-1029232



Low Legs (150mm)
Part No. B-1029231



PI Log Store Part No. B-1029233
P2 Log Store Part No. B-1029234

Output Reducer Bricks

Output reducer bricks reduce the internal volume of the stove, allowing less room for fuel and subsequently reducing the heat output. These are perfect if you prefer the look of a larger stove but don't require a large heat output.



Reducer brick kit to 5.0kW

P2 Reducer Bricks

Part No. Mk2 | 170-1032425

Rochester 7 Reducer Bricks

Part No. Mk2 | 170-1015649

Luxima Gemma Gas

Offset Flue Pipe available for conventional flue installations allowing the gas stove to be placed in a forward position, creating space and clearance behind the stove.

Closure Plate Trim Kit available for conventional flue installations creating a simple neat and tidy practical and aesthetically pleasing solution to seal and cover the existing fireplace opening.

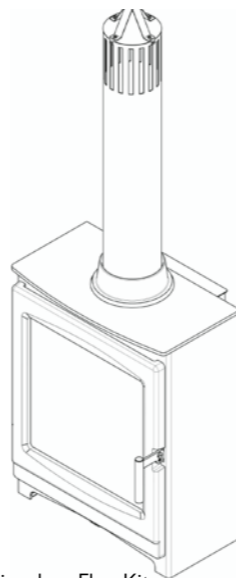
Linerless Flue Kit suitable for integrally sound chimneys. Refer to detailed installation instructions before commissioning stove.



Offset Flue Pipe
Part No. 1188-1028590



Closure Plate Trim Kit
Part No. 1188-1028591



Linerless Flue Kit
Part No. 1188-1028579

Portway Stove Thermometer

A Portway Stove Thermometer can be positioned magnetically on the stove pipe at 205-300mm above the stove. Use the guidelines zones on the thermometer to ensure your stove is burning at the most efficient temperatures, helping you to save costly fuel and to guard against overheating which can lead to chimney fires or damage to the stove. Supplied as standard on some models in the range.



Part No. B-164910

5 and 6 Inch Flue Collar

125mm (5") and 150mm (6") Cast iron flue collar suitable for PI & P2 multifuel stoves.



5" Matte Black Flue Collar
Part No. B-136370B



5" Enamel Black Flue Collar
Part No. B-136370EC



6" Matte Black Flue Collar
Part No. B-125430B



Direct Air Vent
Part No. PSAK

Direct Vent Kit

The Direct Vent Kit allows you to draw the correct amount of ventilation directly to the stove without the need for an additional draughty and unsightly airbrick.

Wood Stove Conversion Kits

Cassette conversion kit to change your Portway multifuel stove into a dedicated wood burning stove. Kits available for the Arundel XL, and Luxima multifuel models.



Arundel XL 5.0kW Wood Stove
Part No. B-1009147



Luxima 5.0kW Wood Stove
Part No. B-1006060

Celsi E-VR Electric stoves

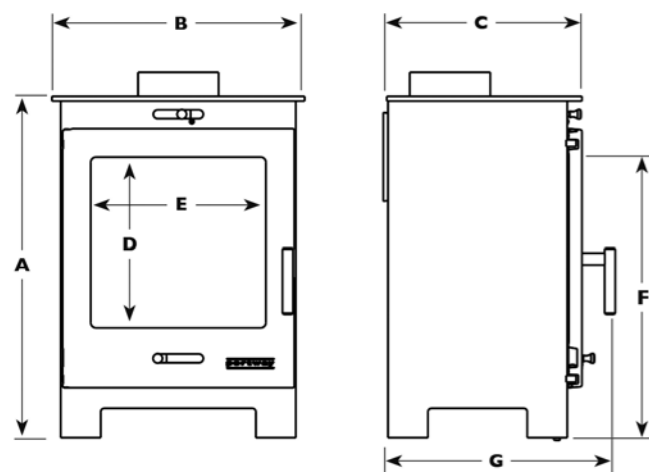
Woodland logs fuel effect. Suitable for the Electristove VR Rochester, Arundel and Luxima models.



Woodland logs fuel effect
Part No. B-1010811

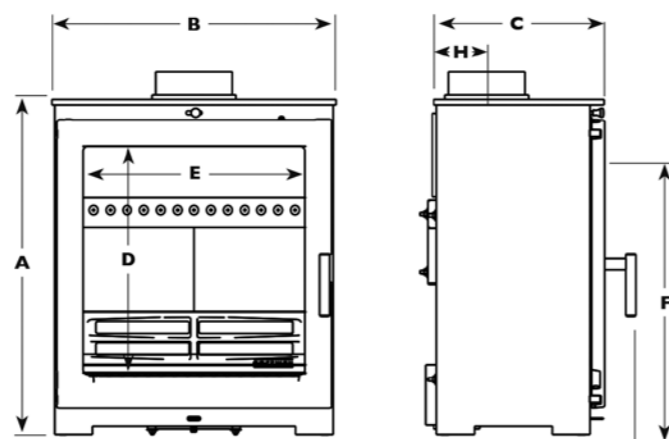


Arundel Multifuel



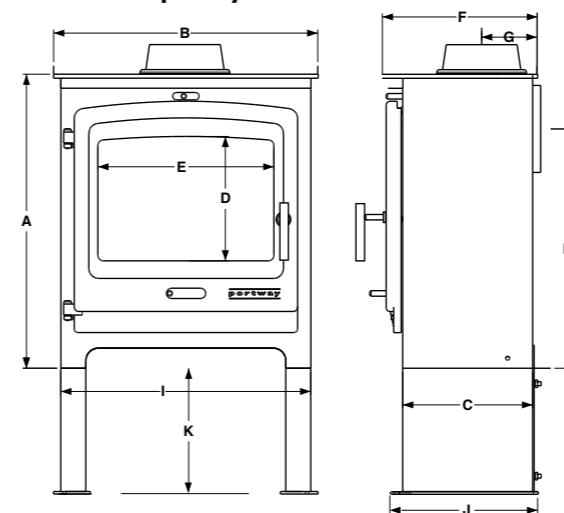
A 580mm C 332mm E 298mm G 387mm
B 430mm D 290mm F 477mm

Arundel XL Multifuel



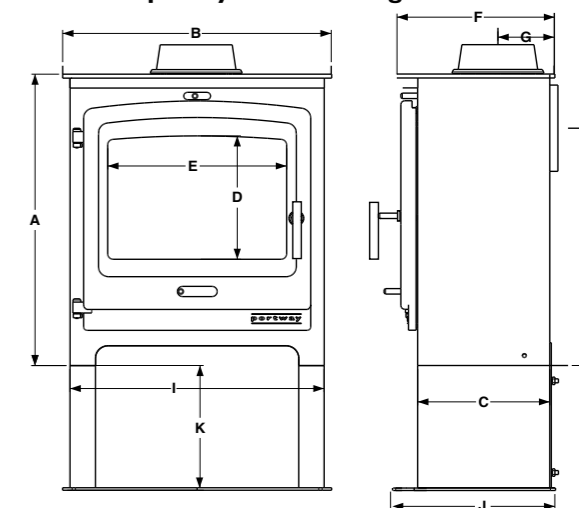
A 600mm C 305mm E 397mm G 378mm
B 510mm D 409mm F 500mm H 95mm

P2 Contemporary Multifuel



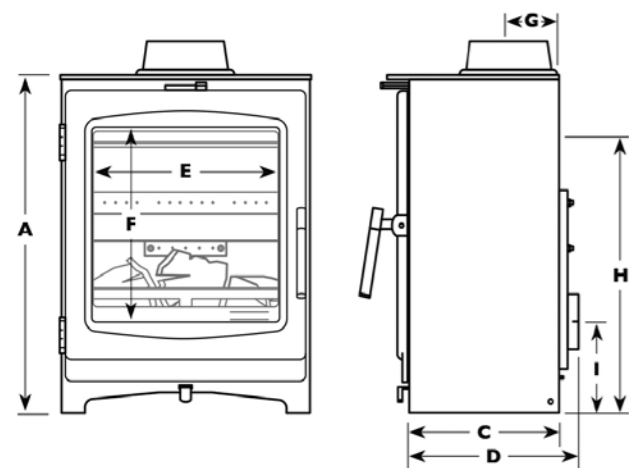
A 588mm C 260mm E 350mm G 112mm I 500mm
B 524mm D 254mm F 310mm H 451mm J 310mm
K 150/300mm High/Low Legs

P2 Contemporary Multifuel Log Store



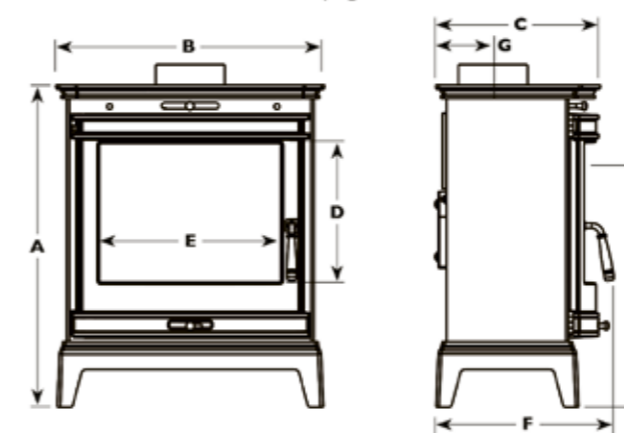
A 588mm C 260mm E 350mm G 112mm I 500mm K 250mm
B 524mm D 254mm F 310mm H 451mm J 330mm

Luxima Multifuel



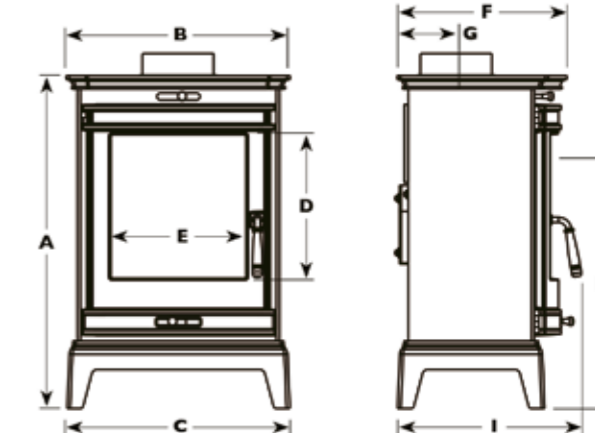
A 594mm C 278mm E 349mm G 95mm I 162mm
B 466mm D 314mm F 344mm H 485mm

Rochester 7 Multifuel



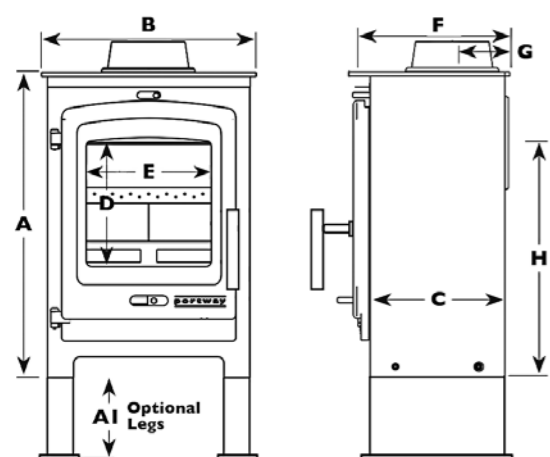
A 637mm C 326mm E 360mm G 113mm
B 532mm D 275mm F 352mm H 506mm

Rochester 5 Multifuel



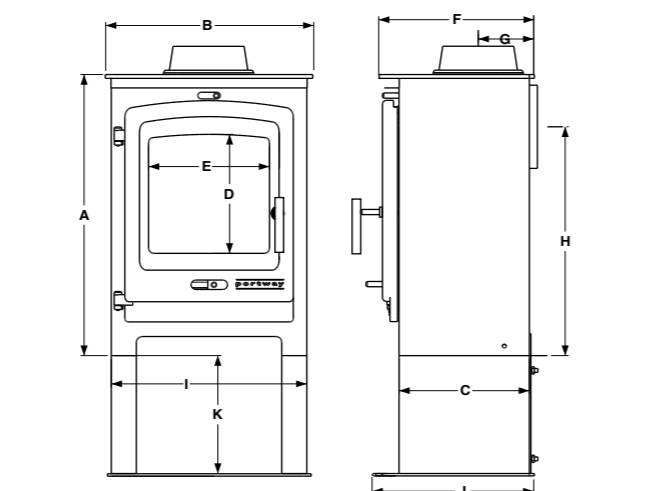
A 637mm C 427mm E 260mm G 113mm I 353mm
B 430mm D 275mm F 326mm H 507mm

PI Contemporary Multifuel



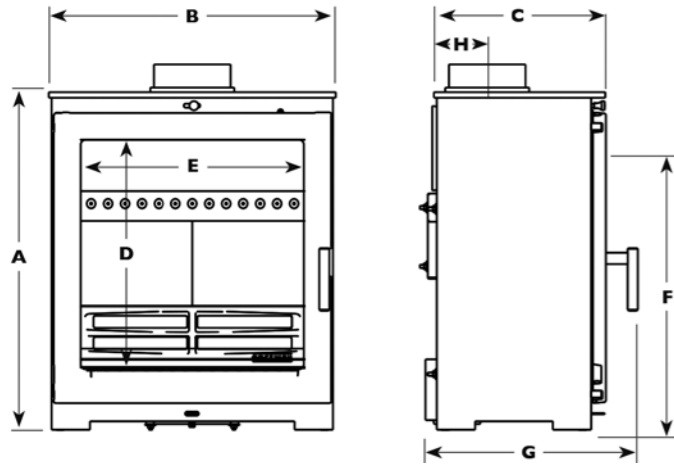
A 588mm C 260mm E 247mm G 112mm
B 414mm D 249mm F 295mm H 451mm AI 150/300mm

PI Contemporary Multifuel Log Store



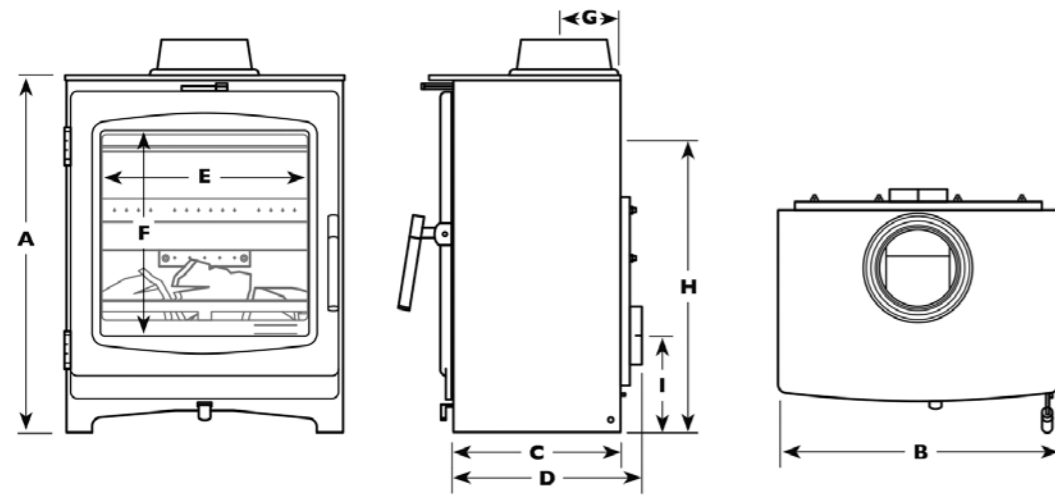
A 588mm C 260mm E 247mm G 112mm I 390mm K 250mm
B 414mm D 249mm F 295mm H 451mm J 330mm

Arundel XL Wood



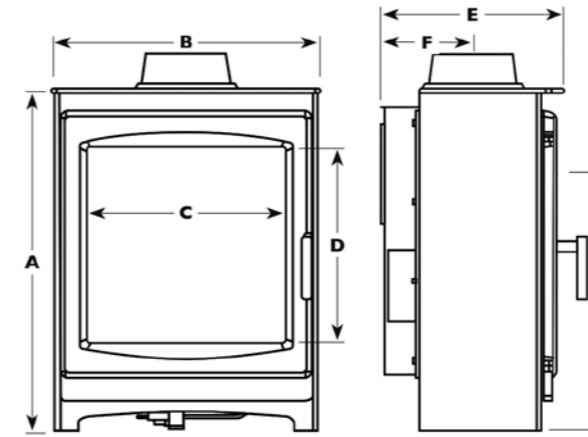
A 600mm C 305mm E 397mm G 378mm
 B 510mm D 409mm F 500mm H 95mm

Luxima Wood



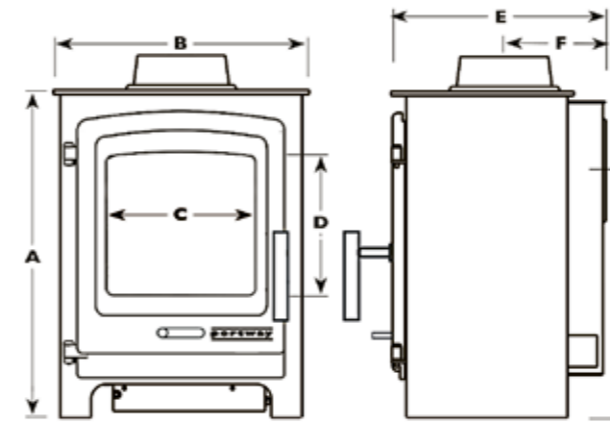
A 594mm C 278mm E 349mm G 95mm I 162mm
 B 466mm D 314mm F 344mm H 485mm

Luxima Gas



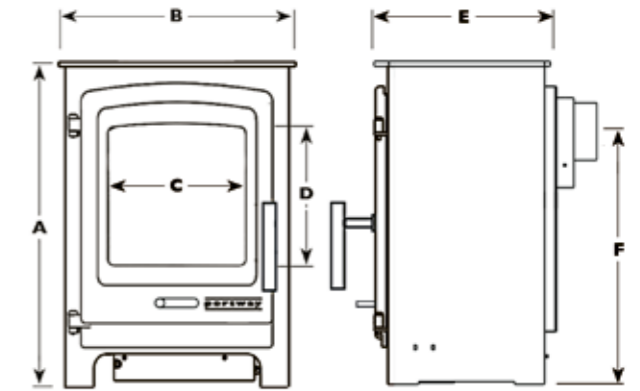
A 604mm C 349mm E 321mm G 452mm
 B 466mm D 344mm F 161mm

PI Gas



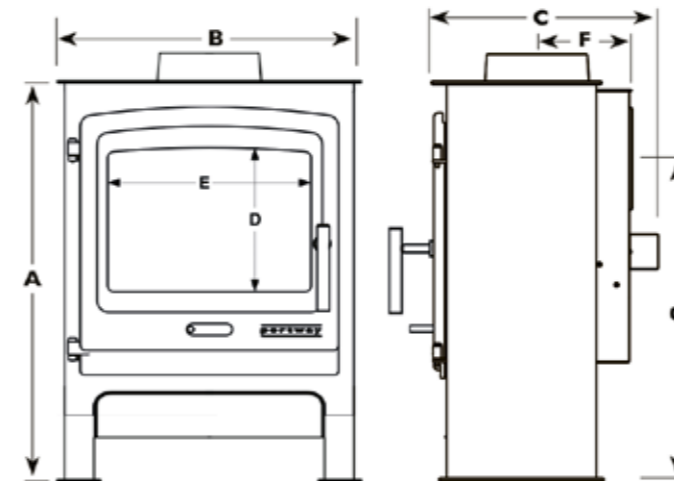
A 573mm C 260mm E 346mm G 463mm
 B 413mm D 237mm F 163mm (138mm using optional flue casting collar)

PI Gas Balanced Flue



A 568mm C 260mm E 305mm
 B 413mm D 237mm F 450mm

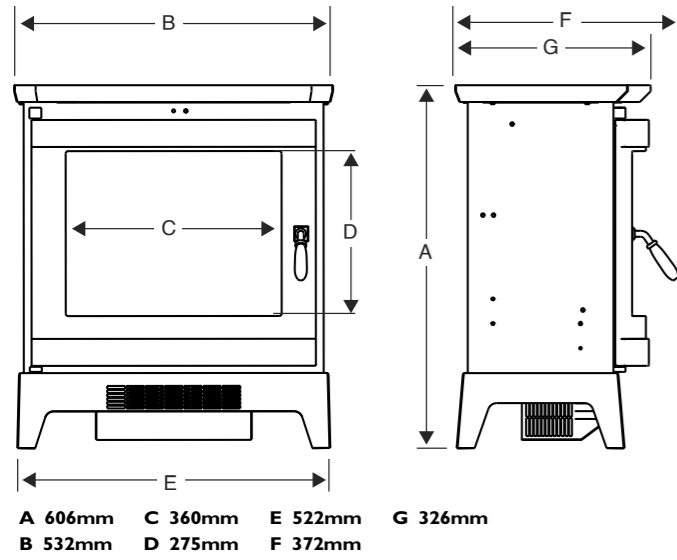
P2 Gas



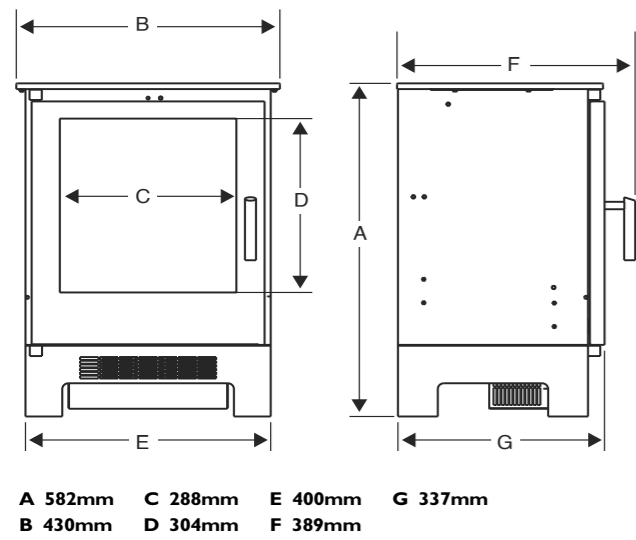
A 692mm C 393mm E 235mm G 558mm
 B 523mm D 357mm F 160mm



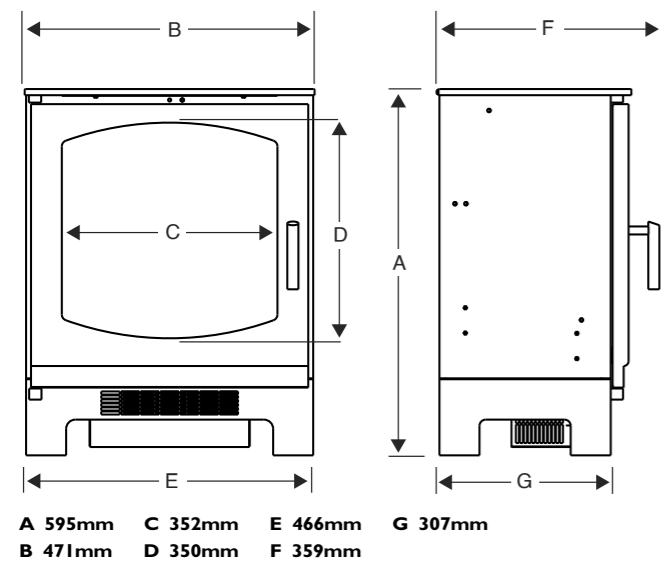
E-VR Rochester



E-VR Arundel



E-VR Luxima



WARNING BFM Europe Limited is a Gas Safe Registered company. We recommend all our gas stoves are installed by a Gas Safe Registered engineer, and all Multifuel or Wood burning stoves are fitted by a HETAS registered engineer, in accordance with our installation and user manuals.

DISCLAIMER Our policy is one of constant development and improvement. We therefore reserve the right to revise designs and specifications of our products without formal notice, patents pending. We always recommend our products be viewed in an approved showroom before purchase. Whilst we have taken every care in the preparation of this brochure it is not intended to replace the installation manual which provides more detailed information. Photography is for illustration purposes only and although every effort has been made to ensure accurate reproduction of typical installations and flame pictures they may vary according to stove model and flue types. We accept no liability for any loss or damage arising directly or indirectly from the use of this brochure. We recommend that all our stoves are used in conjunction with central heating and not as a primary source of heat. In the interests of personal safety a suitable fireguard is recommended when children, the elderly and the infirm are present. This brochure is copyright 2022 and must not be reproduced in whole or in any part without prior written permission. Thank you to Olde England Reproductions (OER) for supplying fire surrounds used in the production of this brochure.



BFM Europe
BRITISH FIRE MANUFACTURERS

Tel: 01782 339000

www.portwaystoves.com

email: info@bfm-europe.com

BFM Europe Limited, Trentham Lakes, Stoke-on-Trent, Staffordshire ST4 4TJ



www.portwaystoves.com

Go direct to the Portway website on your smart phone or tablet device, just scan in this QR code.

