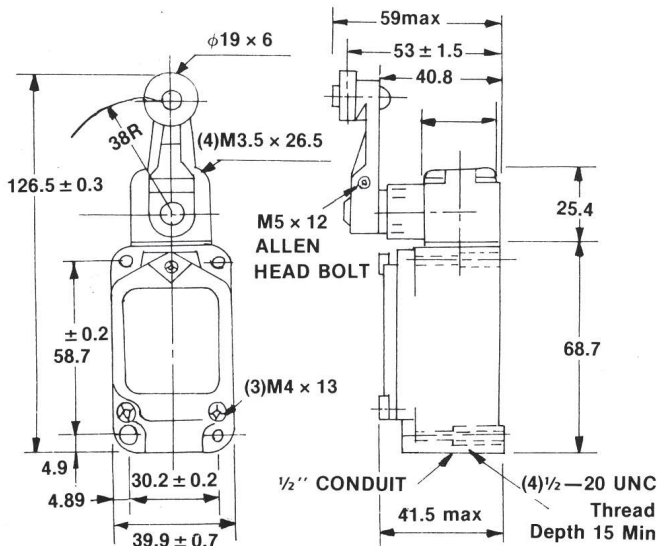


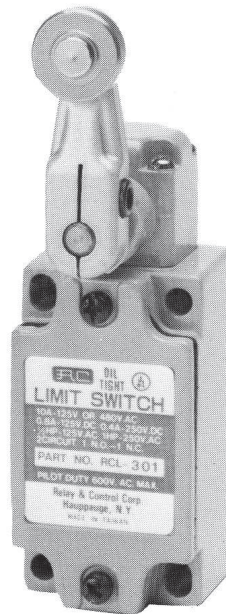
# PRECISION OIL TIGHT LIMIT SWITCHES

## FEATURES

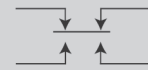
- UL listed. File E100480
- Wide choice of heads and actuators.
- Captive cover screws.
- Dustproof, Oil Tight, Water-resistant.
- Silver/Gold alloy contacts, Double contact design.
- Stainless steel essentials.
- Standard size & dimensions, 1/2" conduit entry.
- Temp. range +5°F to +175°F (-15°C to +80°C)
- Hi-Pot Voltage - 2200VAC/minute
- Insulation Resistance - 100 MΩ on 500VDC.
- Contact Arrangement - 2 Circuits: 1 N.O., 1 N.C.
- Max. Operating Frequency - 120 mechanical operations per minute; 30 electrical (loads) operations per minute.
- Life Test - Mechanical: Ten Million Operations. Electrical: 750,000 Operations @ 10 Amp. 240VAC.



RCL-300 STANDARD ROLLER LEVER  
RCL-301 OVER TRAVEL ROLLER LEVER



### CIRCUITRY

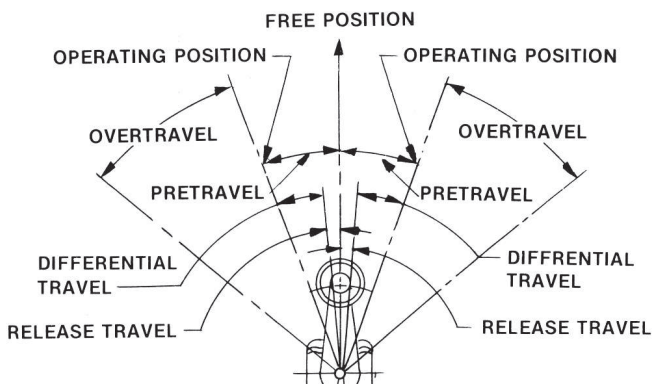


Two-Circuit  
Double-Break

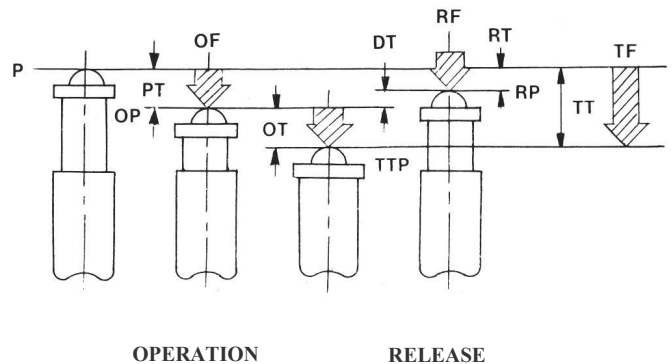
### ELECTRICAL RATING

10 amps, 125V or 300 VAC;  
1/2hp, 125 VAC; 1hp, 250 VAC;  
0.8 amp. 125 VDC; 0.4 amp, 250 VDC;  
Pilot Duty, 300 VAC max.  
Same polarity between poles.

## ROTARY ACTUATION



## IN-LINE PLUNGER ACTUATION



Characteristics: OF - Operating Force; PT - Pretravel; OT - Over Travel; DT - Differential Travel;  
RF - Release Force; OP - Operating Position; TF - Travel Force; RP - Release Position; TT - Total Travel

2170  
Smithtown Avenue

**RELAY AND CONTROL CORP.**

Ronkonkoma  
New York 11779