

RELAY AND CONTROL CORP.



SERVING OUR CUSTOMERS
FOR OVER

55 YEARS

ELECTRICAL COMPONENTS FOR
INDUSTRIAL APPLICATIONS

CONTACT US AT

SALES@RELAYANDCONTROL.COM

WWW.RELAYANDCONTROL.COM | FAX: 631-981-9203 | CATALOG: 1220

(631) 981-9204 | (800) 327-6445



INDEX - TERMS AND CONDITIONS

Contactors Def. Purpose & Accessories	11	Switches	
Control Stations		Key	9
NEMA 1, 1,2,3 Button	7	Enclosed Limit Sw	19-21
Exterior Control Stations 1,2,3	7-8	Limit Sw (5 Amp).....	22-23
Flush Mount	6, 9	Limit Sw (10 Amp).....	24-BKC
Key, Button (Asst.)	6	Micro	14-18
Mushroom Head	5	Pull Chain	1
Din Rail	5	Pushbutton	1
Enclosures/Boxes		Reversing Drum	13
Contactors, 20-60 Amp	12	Rotary	1
PRD Dust Cover	12	Safety Cover	1
Relays		Slide	1
Closet	5	Switch Plates	1
Gen. Purpose PRD, 25-30 Amp	12	Toggle SP/DP	2-3
Submersible Pump	5	Momentary	2
8 & 11 Pin, 10 Amp Octal & Square	4	Boot Seal	1
Relay Sockets		Transformers	
8 & 11 Pin, Din Rail Mountable	5	Control, Low Voltage	10

**** R&C reserves the right to substitute any item, with a product "Equal", when necessary****

GENERAL ORDERING INFORMATION

MINIMUM ORDERS: Due to high cost of handling and processing, we are unable to accept orders for less than **\$40.00**.

TERMS: **Net 30 days.**

OPEN ACCOUNT: Given to those firms who have established credit, or who can furnish the necessary references required to earn open account status.

CREDIT CARDS: We accept either Master or Visa credit cards. Fees and/or Surcharges Apply.

COD: All accounts not having open account status will be shipped C.O.D.

PAST DUE ACCOUNTS: Will be placed on C.O.D. status, **at the companies discretion.**

FREIGHT SHIPMENTS: F.O.B. shipping point. Shipments will be routed through U.P.S. unless requested otherwise.

RETURNS & CLAIMS: All products are **subject to your inspection and satisfaction.** They may be returned within 15 days from receipt of goods, but **must be** assigned an **R.G.A.** number.

Relay and Control Corp. makes no warranty with regard to the condition of any product. Upon receipt, the purchaser shall inspect and determine the suitability of the product, and will assume all risk and liability, whatsoever, in connection with the use of said product. The implied warranty of merchandise is hereby disclaimed.

PRICING: **Prices are subject to change without notice.**

SPECIAL DISCOUNTS: Available to "LARGE QUANTITY," single item purchases.

Ask for a "**SPECIAL QUOTATION**" for GUARANTEED Blanket Release Orders.

FREE FREIGHT POLICY

Relay and Control Corp. will pay the freight charges on orders of **\$1000.00** or more.

This offer **DOES NOT** apply to **Special Discounted Orders** unless agreed to by Relay and Control Corp. This policy pertains to shipments within the Continental U.S.A. Orders will be shipped the best way possible.

VISIT US ON THE WEB AT: WWW.RELAYANDCONTROL.COM

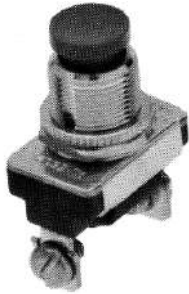
2170
Smithtown Avenue

RELAY AND CONTROL CORP.

Ronkonkoma
New York 11779

ASSORTED SWITCHES - ACCESSORIES

**PUSH BUTTON
SPST**
Momentary Contacts



3A@120V • 1.5A@240V

TPB-22 Normally Off
Black Button

TPB-23 Normally On
Red Button

**PUSH CHAIN
SPST ON-OFF**



6A@125V • 3A@125V
3A@125 VAVCL
1A@250V • 1A@125V

TPC-31 Nickel Plated

TPC-32 Brass Plated

**PULL CHAIN
2 SPEED
OFF-ON-ON**



6A@125V • 3A@250V
1.5A@125VAC

TPC-33

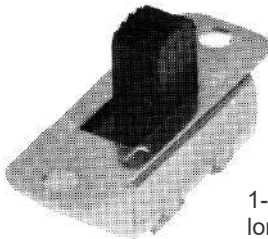
**SWITCH BOOT
TOGGLE SEAL
(NEOPRENE BOOT)**



.945 Height,
15/32 32 Thread

TS-71804

**SLIDE SWITCH
SPST ON-OFF**



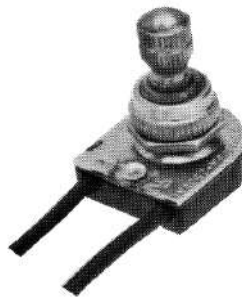
1/2"

1-1/8"
long

10A@125V • 5 A@250V

TSL-51

**ROTARY SWITCH
SPST ON-OFF**
Single Current



6A@125V • 3A@250V
3A@125V • 1A@250V
6" Stripped Wire Leads

TRS-61

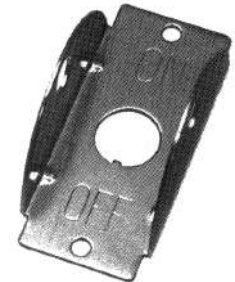
**PULL CHAIN
3 SPEED
OFF-ON-ON-ON**



6A@125V • 3A@250V
1.5A@125VAC

TPC-34

ON-OFF PLATE
(L 2-3/16" x W 1" x H 3/4")



TSY-100

**INVENTORY CLEARANCE
LIMITED QUANTITIES AVAILABLE**

**All Electric Motor Terminal
Boxes and Gaskets**
TB-1001 GKT-2001 GKT-2005
TB-1002 GKT-2002 GKT-2006
TB-1003 GKT-2003 GKT-2007
TB-1004

Thermostat Guards
RTG-UWM
R-336

**SAFETY TOGGLE
COVER**



TS-73200

ON-OFF PLATE



TS-71104

Phone No.
631-981-9204

800-327-6445

Fax No.
631-981-9203

20 Amp-125VAC
10 Amp-250VAC

MOMENTARY TOGGLES



3/4, 1-1/2 HP
15/32 STEM

SPST (ON)-OFF 		SPDT (ON)-ON 3/4 HP 		SPDT (ON)-OFF-ON 3/4 HP 		SPDT (ON)-OFF-(ON) 3/4 HP 	
TS-701M	Screw Terminals	TS-705M	Screw Terminals	TS-702M	Screw Terminals	TS-702MM	Screw Terminals
DPST (ON)-OFF 1 1/2 HP 		DPDT (ON)-ON 1 1/2 HP 		DPDT (ON)-OFF-ON 1 1/2 HP 		DPDT (ON)-OFF-(ON) 1 1/2 HP 	
TS-703M	Screw Terminals	TS-707M	Screw Terminals	TS-704M	Screw Terminals	TS-704MM	Screw Terminals

6 Amp-120VAC
3 Amp-240VAC

TOGGLE SWITCHES

15 Amp-120VAC
10 Amp-240VAC

SPDT ON-OFF  <p>6A@125V</p>		DPST ON-OFF 1 1/2 HP  <p>20A@125V • 10A@250V</p>		SP-NO  <p>3/4A@125V Switch is off when button is out.</p>		SP-NC  <p>3/4A@125V Switch is off when button is in.</p>	
TS-203	6" Wire Leads	TS-211	Screw Terminals	TS-213	Screw Terminals	TS-214	Screw Terminals
SP PUSH BUTTON  <p>6A@125V Push on-Push off</p>		SPST ON-OFF  <p>8A@125V • 4A@250V</p>		<p style="text-align: center;">CALL US FOR ANY OTHER TOGGLE SWITCHES YOU MIGHT NEED. WE CAN SOURCE THEM FOR YOU.</p>			
TS-215	6" Wire Leads	TS-706	6" Wire Leads				

2170
Smithtown Avenue

RELAY AND CONTROL CORP.

Ronkonkoma
New York 11779

20 Amp-125VAC
10 Amp-250VAC

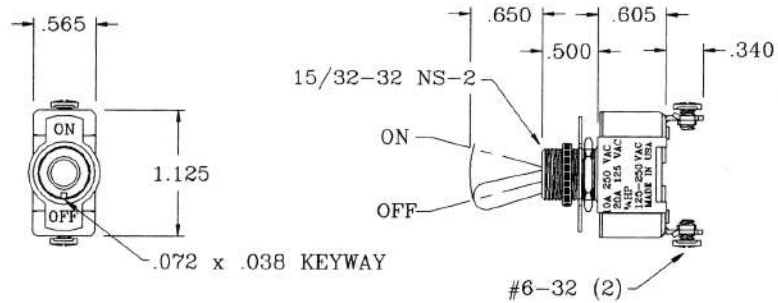
TOGGLE SWITCHES

3/4, 1-1/2 HP
15/32 STEM

DIMENSIONS ARE FOR THESE PART #S

- TS-701
- TS-711
- TS-721
- TS-702
- TS-712
- TS-722
- TS-705
- TS-715
- TS-725

ENGINEERING SPECS ARE FOR REFERENCE ONLY



TS-701 SHOWN

SPST ON-OFF
3/4 HP



SPDT ON-OFF-ON
3/4 HP



SPDT ON-ON
3/4 HP



DPST ON-OFF
1 1/2 HP



TS-701	Screw Terminals	TS-702	Screw Terminals	TS-705	Screw Terminals	TS-703	Screw Terminals
TS-711	1/4" Q.C. Tabs	TS-712	1/4" Q.C. Tabs	TS-715	1/4" Q.C. Tabs	TS-713	1/4" Q.C. Tabs
TS-721	Solder Terminals	TS-722	Solder Terminals	TS-725	Solder Terminals	TS-723	Solder Terminals

DPDT ON-OFF-ON
1 1/2 HP



DPDT ON-ON
1 1/2 HP



TS-707 Screw Terminals

TS-704 Screw Terminals

TS-717 1/4" Q.C. Tabs

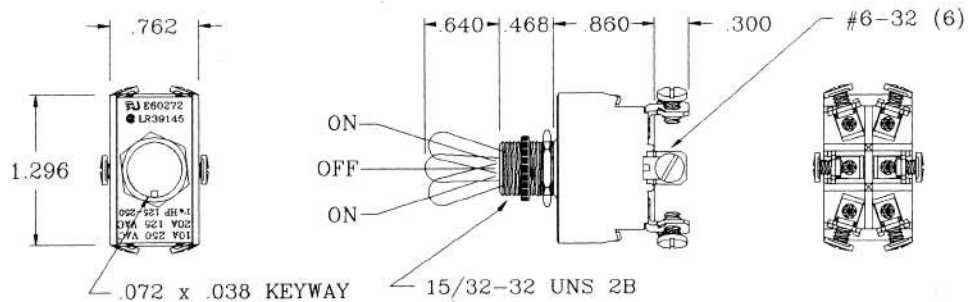
TS-714 1/4" Q.C. Tabs

TS-727 Solder Terminals

DIMENSIONS ARE FOR THESE PART #S

- TS-703
- TS-713
- TS-723
- TS-704
- TS-714
- TS-707
- TS-717
- TS-727

ENGINEERING SPECS ARE FOR REFERENCE ONLY



TS-704 SHOWN

Phone No.
631-981-9204

800-327-6445

Fax No.
631-981-9203

8 & 11 PIN OCTAL BASE PLUG-IN RELAYS

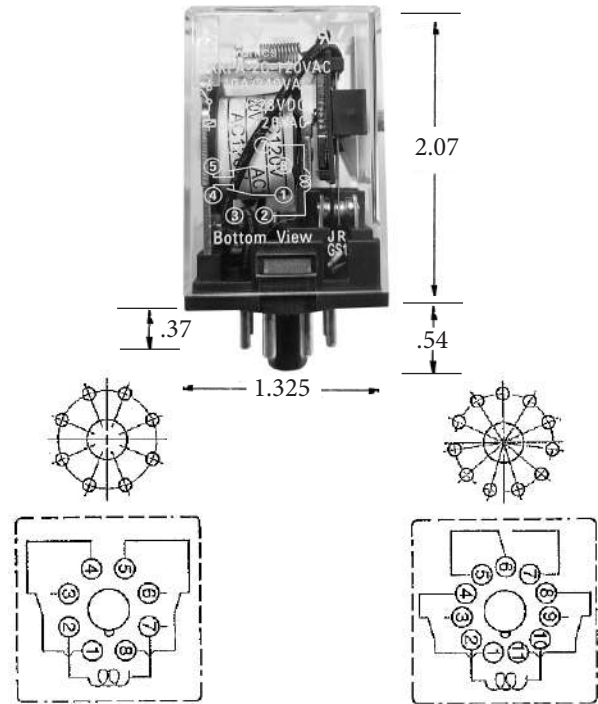
10 Amp Silver-Nickel (Agni) Contacts

Push to Test Button and Annunciator Flag Standard

- Mechanical Life Expectancy – 10,000,000 operations.
- Operations at Rated Load – 100,000 operations.

All alternating current relays (AC) operate at 60 Hz.

R & C Part No.	P & B Equal No.	Coil Voltage	Contact Action
8 PIN PLUG-IN Use OT08-PC Sockets			
RCRP2CAC12	KRPA-11AG-12	12V. AC	DPDT
SKKPA2C24AC	KRPA-11AG-24	24V. AC	DPDT
SKKPA2C120AC	KRPA-11AG-120	120V. AC	DPDT
SKKPA2C240AC	KRPA-11AG-240	240V. AC	DPDT
11 PIN PLUG-IN Use OT11-PC Sockets			
RCRP3CAC12	KRPA-14AG-12	12V. AC	3PDT
SKKPA3C24AC	KRPA-14AG-24	24V. AC	3PDT
SKKPA3C120AC	KRPA-14AG-120	120V. AC	3PDT
SKKPA3C240AC	KRPA-14AG-240	240V. AC	3PDT
8 PIN PLUG-IN Use OT08-PC Sockets			
SKKPA2C12DC	KRPA-11DG-12	12V. DC	DPDT
SKKPA2C24DC	KRPA-11DG-24	24V. DC	DPDT
RCC2A20D110	KRPA-11DG-110	110V. DC	DPDT
11 PIN PLUG-IN Use OT11-PC Sockets			
RCRP3CDC12	KRPA-14DG-12	12V. DC	3PDT
SKKPA3C24DC	KRPA-14DG-24	24V. DC	3PDT
SKKPA3C110DC	KRPA-14DG-110	110V. DC	3PDT



8 & 11 PIN SQUARE BASE PLUG-IN RELAYS

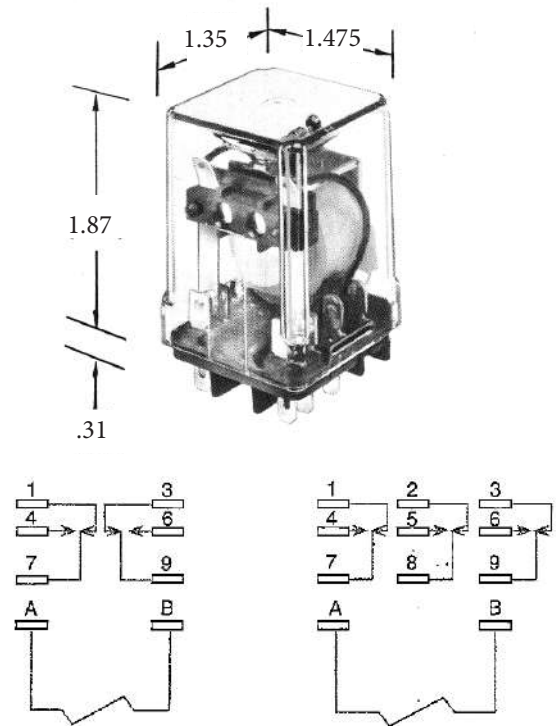
10 Amp Silver-Nickel (Agni) Contacts

- Mechanical Life Expectancy – 10,000,000 operations.
- Operations at Rated Load – 100,000 operations.

All alternating current relays (AC) operate at 60 Hz.

R & C Part No.	P & B Equal No.	Coil Voltage	Contact Action
AC VOLTS - 10 AMPS-DPDT ENCLOSED SQUARE PLUG-IN			
SKAP-2C-12VAC	KUP-11A15-12	12V. AC	DPDT
SKAP-2C-24VAC	KUP-11A15-24	24V. AC	DPDT
SKAP-2C-120VAC	KUP-11A15-120	120V. AC	DPDT
KUP2CAC240	KUP-11A15-240	240V. AC	DPDT
AC VOLTS - 10 AMPS-3PDT ENCLOSED SQUARE PLUG-IN			
SKAP-3C-24VAC	KUP-14A15-24	24V. AC	3PDT
SKAP-3C-120VAC	KUP-14A15-120	120V. AC	3PDT
SKAP-3C-240VAC	KUP-14A15-240	240V. AC	3PDT
DC VOLTS - 10 AMPS-DPDT ENCLOSED SQUARE PLUG-IN			
SKAP-2C-12VDC	KUP11D15-12	12V. DC	DPDT
SKAP-2C-24VDC	KUP11D15-24	24V. DC	DPDT
SKAP-2C-110VDC	KUP11D15-110	110V. DC	DPDT
DC VOLTS - 10 AMPS-3PDT ENCLOSED SQUARE PLUG-IN			
KUP3CDC12	KUP-14D15-12	12V. DC	3PDT
KUP3CDC110	KUP-14D15-110	110V. DC	3PDT

For all Square Base units, use ST11-PC Socket.



RELAY SOCKETS & DIN RAIL

11 PIN SQUARE BASE
300V @ 15 AMPS
 Pressure Clamp Screws
 (was RC-121)



DIN Rail Mountable
ST11-PC

8 PIN OCTAL BASE
600V @ 10 AMPS
 Pressure Clamp Screws
 (was RC-122)



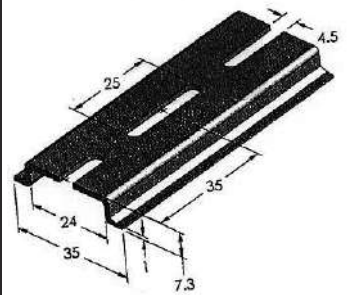
DIN Rail Mountable
OT08-PC

11 PIN OCTAL BASE
300V @ 10 AMPS
 Pressure Clamp Screws
 (was RC-123)



DIN Rail Mountable
OT11-PC

DIN RAIL
PRE-PUNCHED, 1 METER
 (C-103-PM) (39.37")



(Aluminum)
BND 1000

SUBMERSIBLE PUMP RELAYS

Part No.	Continuous Coil Voltage	Pick Up		Drop-Out V	
		Min	Max	Min	Max
19550	130	111	134	15	40
19551	332	244	270	40	90



Made in Malaysia

GE-19550



Made in China

GE-19551



Made in U.S.A.

HC-19551

CLOSET RELAY

LOW VOLTAGE, TIME SAVER CLOSET RELAY
 (Should only be installed by a Qualified Electrician)
 Wiring Diagram Included

Specification Grade
 Patented

Electrical Specifications:

120 volts AC 60 Hz.
 1000W Ballast, 600W Tungsten
 1/6 HP Motor Load

Observe N.E.C. local codes

Mech. Specifications:

Low Voltage Side:
 snaps into 1/2 KO
 High Voltage Side:
 H 1-3/8" W 1-7/8" L 1-3/8"



CR-1-120V

MUSHROOM HEAD CONTROLS

Momentary Contacts
 H-3-1/4", W-2-3/4", D-2-1/2"
 UL LISTED



Nema 4
1MHC

Maintained Contacts
 H-3-1/4", W-2-3/4", D-2-1/2"
 UL LISTED



Nema 4
1MHL

Heavy Duty Metal
 H-3-1/2", W-3", D-3"



(Can be wired either way)

Nema 4
1MHD

Phone No.
631-981-9204

800-327-6445

Fax No.
631-981-9203

Commercial Key Controls

NEMA 3R, 4, 12

CYLINDER
MORTISE TYPE (5 PIN)

KEYSWITCH
15AMP @ 125/250VAC

EXTERIOR SURFACE MOUNT

1KX TAMPERPROOF Exterior

Surface Mount Key Switch
OPEN-CLOSE with Center Return

1KXS TAMPERPROOF Exterior

Surface Mount Key Switch with
Stop Button, OPEN-CLOSE with
Center Return

H-4-3/8", W-4-1/8", D-2-5/8"

Specify Keyed Alike (KA) or Random (R)
Available with Best Cylinder or Equal.



NEMA 1

BRUSHED ALUMINUM
FACEPLATE

CYLINDER
MORTISE TYPE (5 PIN)

KEYSWITCH
15AMP @ 125/250VAC

INTERIOR FLUSH MOUNT

1KF TAMPERPROOF

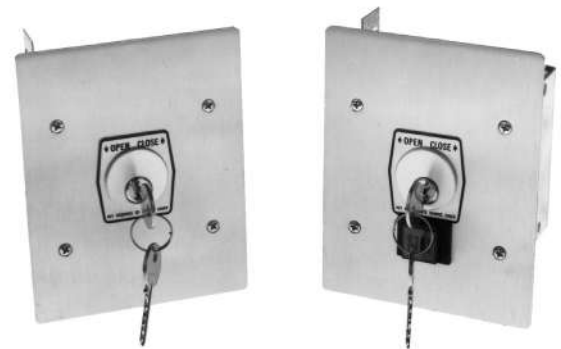
Flush Mount Key Switch
OPEN-CLOSE, Center Return

1KFS TAMPERPROOF

Flush Mount Key Switch with Stop,
OPEN-CLOSE, Center Return

FACEPLATE: H-6", W-4-3/4", D-2-7/8"
BACK BOX: 3-3/4" x 3-3/4"

Specify Keyed Alike (KA) or Random (R)
Available with Best Cylinder or Equal.



KEYED CONTROL

BRUSHED ALUMINUM
FACEPLATE

CYLINDER
MORTISE TYPE (5 PIN)

KEYSWITCH
15AMP @ 125/250VAC

EXTERIOR FLUSH MOUNT

1KF-X EXTERIOR TAMPERPROOF

Key Switch, OPEN-CLOSE,
Center Return

1KFS-X EXTERIOR TAMPERPROOF

Key Switch, with Stop Button OPEN-CLOSE,
Center Return FACEPLATE: H-6",
W-4-3/4", D-2-7/8" BACKBOX: 3-3/4"x 3-3/4"

Specify Keyed Alike (KA) or Random (R)
Available with Best Cylinder Or Equal.



NEMA 3R, 4, 12

ALUMINUM DIE CAST
ENCLOSURE

CYLINDER
MORTISE TYPE (5 PIN)

KEYSWITCH
20AMP @ 125VAC
15AMP @ 250VAC

EXTERIOR SURFACE MOUNT

1KXL

Key Switch,
Two Position ON-OFF

H-4-3/8", W-4-1/8", D-2-5/8"

Specify Keyed Alike (KA) or Random (R)
Available with Best Cylinder or Equal



2170
Smithtown Avenue

RELAY AND CONTROL CORP.

Ronkonkoma
New York 11779

1 • 2 • 3 Button Commercial Controls

NEMA 1

**SURFACE MOUNT
CONTROL STATION**

BUTTON
5 AMP @ 120VAC
240V AC MAX G.P.
NORMALLY OPEN

UL LISTED

GENERAL PURPOSE

PBS-1

Momentary Contact
H-2-7/8", W-2-3/8", D-1-13/16"

PBS-2

SS-1

Momentary Contact
OPEN-CLOSE • START-STOP
H-4-1/16", W-2-3/8", D-1-13/16"



5 AMP @ 240V

NEMA 1

**SURFACE MOUNT
CONTROL STATION**

BUTTON
5 AMP @ 120VAC
240V AC MAX G.P.
OPEN/CLOSE N/O
STOP - N/C

UL LISTED

PBS-601

OPEN-CLOSE-STOP

PBS-602

UP-DOWN-STOP

PBS-603

FORWARD, REVERSE, STOP

Momentary Contact
H-5-5/16", W-2-3/8", D-1-13/16"



NEMA 1

**FLUSH MOUNT
CONTROL STATION**

BUTTON
10 AMP @ 250VAC

OPEN/CLOSE ARE
NORMALLY OPEN
STOP - N/C

GENERAL PURPOSE

WITH STAINLESS STEEL FACEPLATE

PBC-1

Momentary Contact

PBC-2

Momentary Contact
OPEN-CLOSE

PBC-3

Momentary Contact
OPEN-CLOSE-STOP
FACEPLATE: H-4-1/4", W-2-3/4"
BACK BOX: H-4", W-2"



NEMA 3R, 4, 12

BUTTON
6 AMP @ 125/250VAC
OPEN/CLOSE N/O
STOP - N/C

EXTERIOR SURFACE MOUNT

1BX

Exterior Control Station

2BX

Exterior Control Station
OPEN-CLOSE

3BX

Exterior Control Station
OPEN-CLOSE-STOP
H-4-3/8", W-4-1/8", D-2-5/8"



Phone No.
631-981-9204

800-327-6445

Fax No.
631-981-9203

Commercial Controls

NEMA 3R, 4, 12

6 AMP 125/250VAC
OPEN: NORMALLY OPEN
CLOSE: NORMALLY OPEN
STOP: NORMALLY CLOSED

EXTERIOR SURFACE MOUNT

PBT-3

Exterior Control Station
OPEN-CLOSE-STOP
H-6", W-2-3/4", D-3-1/2"

PBTL-3

Exterior Three Button with Key
Lockout
OPEN-CLOSE-STOP
H-7", W-2-3/4", D-3-1/2"



NEMA 3R, 4, 12

12 AMP @ 600VAC
DP CONTACTS

NORMALLY OPEN
&
NORMALLY CLOSED

EXTERIOR SURFACE MOUNT

Non-Metallic Enclosure (double pole contacts)

1BXT

Exterior Control Station

2BXT

Exterior Control Station
OPEN-CLOSE
H-4-1/2", W-2-3/4", D-2-1/2"

3BXT

Exterior Control Station
OPEN-CLOSE-STOP
H-5-3/4", W-2-3/4", D-2-1/2"
UL Listed, CSA Approved



NEMA 3R, 4, 12

BUTTONS
12 AMP @ 600VAC

KEY SWITCH
4 AMP @125VAC

EXTERIOR SURFACE MOUNT

Non-Metallic Enclosure (double pole contacts)

3BXLT

Three Button Exterior Control
with Keyed Lock-out (ON-OFF)

H-7", W-2-3/4", D-2-3/4"

UL Listed, CSA Approved



NEMA 3R, 4, 12

BUTTONS
6 AMP @ 125/250VAC

KEY SWITCH
4 AMP @250VAC

EXTERIOR SURFACE MOUNT

2BXL

Two Button Exterior Control
with Lockout
OPEN-CLOSE

3BXL

Three Button Exterior Control
with Lockout
OPEN-CLOSE-STOP

UL Listed



2170
Smithtown Avenue

RELAY AND CONTROL CORP.

Ronkonkoma
New York 11779

Residential & Commercial Controls

NEMA 1

CYLINDER
MORTISE TYPE (5 PIN)

KEY SWITCH
15 AMP @125/250VAC

FLUSH MOUNT

*With Stainless Steel Faceplate
Fits Existing Standard Single Gang*

HBF-1 Key Switch in Single Gang Box
OPEN-CLOSE, Center Return

HBFX-1 Exterior Flush Key Switch
in Single Gang Box
OPEN-CLOSE, Center Return
FACEPLATE: H-4-1/2", W-2-3/4"
BACKBOX: H-4", W-2", D-2"

HBFS Flush Mount Key Switch
with Stop Button
OPEN-CLOSE, Center Return
FACEPLATE: H-4-1/2", W-2-3/4"
BACKBOX: H-4", W-2", D-2"



HBF-1

HBFS

Specify, Keyed Alike (KA) or Random (R)
Available with Tamperproof Screws
Available with Best Cylinder or Equal

NEMA 3R, 4, 12

CYLINDER
MORTISE TYPE (5 PIN)

KEY SWITCH
15 AMP @125/250VAC

SURFACE MOUNT

HBSX-1

Exterior Surface Key Switch
with Cover,
OPEN-CLOSE,
Center Return

H-4-1/2", W-2-3/4", D-3"



NEMA 3R, 4, 4X

CORROSION RESISTANT

BUTTONS
6 AMP 125/250VAC
OPEN: NORMALLY OPEN
CLOSE: NORMALLY OPEN
STOP: NORMALLY CLOSED

EXTERIOR SURFACE MOUNT

2B4X NEMA 4X Two Button
Control (Rosite) OPEN-CLOSE

3B4X NEMA 4X Three Button
Control (Rosite) OPEN-CLOSE-STOP
H-4-1/4", W-4-1/4", D-2-1/2"

3B4XL NEMA 4X Three Button
with Lockout (Rosite)
OPEN-CLOSE-STOP
H-4-1/4", W-4-1/4", D-2-1/2"

3B4X-SS
Three Button Control
in Stainless Steel Enclosure
OPEN-CLOSE-STOP
H-6-3/4", W-3-1/2", D-3-1/2"



2B4X

3B4X



3B4XL

3B4X-SS

Phone No.
631-981-9204

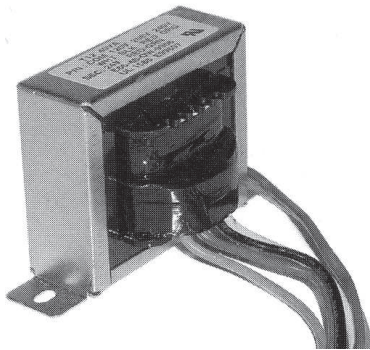
800-327-6445

Fax No.
631-981-9203

CONTROL TRANSFORMERS

Our Low Voltage Control Transformers are designed for use in 24, 12, or 2.5 volt control systems. They provide the power source for control circuits including Air Conditioning, Heating, Refrigeration systems and other applications that do not exceed the listed ratings. They can replace any transformer of the same primary voltage with equal or smaller VA ratings. The heavy duty higher VA models are the choice when extra power is the solution.

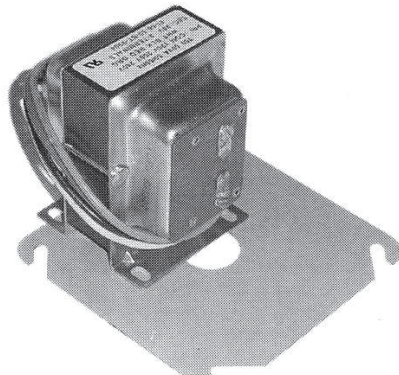
New R&C Part No.	Edwards	Lee	UEI No.	Primary Voltage	Mount	VA	Secondary Voltage	Circuit Brkr.	Case Qty.
50354	599	599	UET105	120/208/240	Foot	40	24	No	30
50302	-	-	UET112	120	3-way	40	24	No	18
	-	-	-	120	3-way	40	24, term.	No	18
50314	88-50	330	UET150	120/208/240	3-way	50	24, term.	No	18
50321	-	-	UET79R	120/208/240/480	Foot	75	24	Yes	10
50341	88-100	340	UET100R	120/208/240/480	Foot	100	24	Yes	12



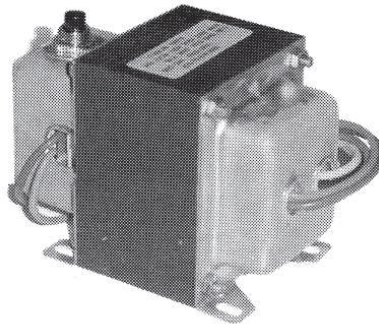
50354



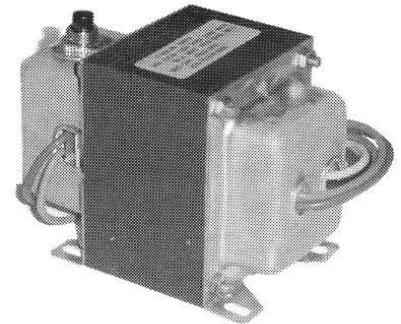
50314



50302



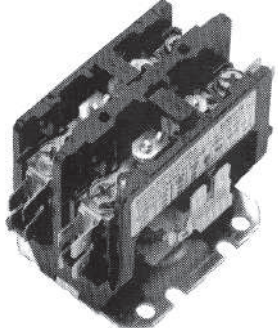
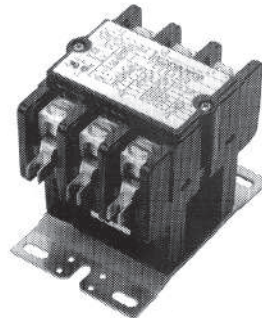
50321

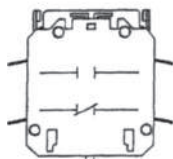
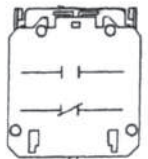
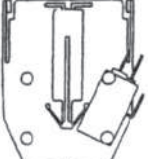
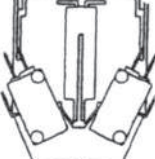
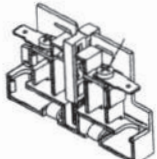
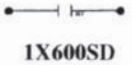
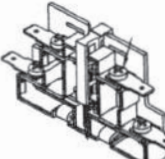
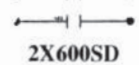


50341

DEFINITE PURPOSE CONTACTORS

(PRIVATE LABELED, IN THE USA, FOR RELAY AND CONTROL CORP.)

UL	HVAC MODELS (WITH TAPE WOUND COILS)	CSA	UL	COMPACT DESIGN	CSA
<ul style="list-style-type: none"> ● A TRUSTED NAME ● APPROVED BY LEADING COMPRESSOR OEM'S ● ARI 780/790 RATED ● NORMALLY OPEN ● ISO 9001 CERT. 				<ul style="list-style-type: none"> ● INDUSTRY STANDARD MOUNTING PLATE ● ARI 780/790 RATED ● NORMALLY OPEN ● RECOMMENDED TORQUE: #10-32 SCREW 22 in. lbs. BOX LUG 25 in. lbs. 	
(EQUAL TO "ACC" MODELS)					

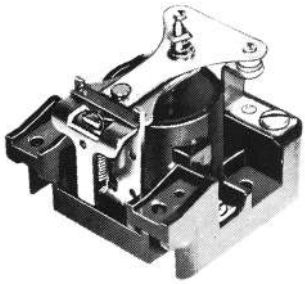
PART NO.	FLA. AMPS	POLES	VOLTS	PART NO.	FLA. AMPS	POLES	VOLTS
DPC-25224	25	2	24	DPC-25A3P24	25	3	24
DPC-252120	25	2	120	DPC-25A3P120	25	3	120
DPC-252240	25	2	208/240	DPC-25A3P240	25	3	208/240
DPC-30224	30	2	24	DPC-30A2P24	30	2	24
DPC-302120	30	2	120	DPC-30A2P120	30	2	120
DPC-302240	30	2	208/240	DPC-30A2P240	30	2	208/240
DPC-40224	40	2	24	DPC-30A3P24	30	3	24
DPC-402120	40	2	120	DPC-30A3P120	30	3	120
DPC-402240	40	2	208/240	DPC-30A3P240	30	3	208/240
AUXILIARY SWITCHES 3P & 4P only, 25 thru 60 Amp Units				DPC-30A4P24	30	4	24
DPC-1Z600 QC	1NO/1NC - 600V .250" QC Terminals			DPC-30A4P120	30	4	120
DPC-1Z600 ST	1NO/1NC - 600V .250" #6-32 Screw Term.			DPC-30A4P240	30	4	208/240
DPC-1C300	SPDT - 300V .250" QC Terminals			DPC-40A2P24	40	2	24
DPC-2C300	2 SPDT - 300V .250" QC Terminals			DPC-40A2P120	40	2	120
				DPC-40A2P240	40	2	208/240
DPC-1Z600QC	DPC-1Z600ST	DPC-1C300	DPC-2C300	DPC-40A3P24	40	3	24
				DPC-40A3P120	40	3	120
	1X600SD		2X600SD	DPC-40A3P240	40	3	208/240
	1Y600SD		1Z600SD	DPC-40A4P24	40	4	24
75/90/120 Amp Units				DPC-40A4P120	40	4	120
DPC-1X600SD	1NO - W/.250" QC Terminals			DPC-40A4P240	40	4	208/240
DPC-2X600SD	2NO - W/.250" QC Terminals			DPC-50A3P24	50	3	24
DPC-1Y600SD	1NC - W/.250" QC Terminals			DPC-50A3P120	50	3	120
DPC-1Z600SD	1NO/1NC - W/.250" QC Terminals			DPC-50A3P240	50	3	208/240
				DPC-60A3P24	60	3	24
				DPC-60A3P120	60	3	120
				DPC-60A3P240	60	3	208/240
				DPC-75A3P24	75	3	24
				DPC-75A3P120	75	3	120
				DPC-75A3P240	75	3	208/240
				DPC-90A3P24	90	3	24
				DPC-90A3P120	90	3	120
				DPC-90A3P240	90	3	208/240

Phone No.
631-981-9204

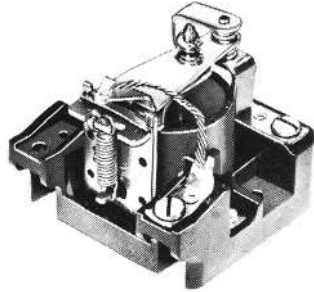
800-327-6445

Fax No.
631-981-9203

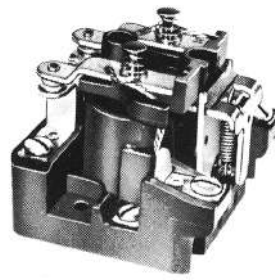
GENERAL PURPOSE RELAYS



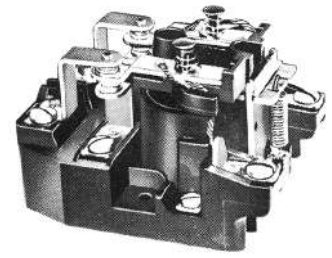
RC-PRD3



RC-PRD5



RC-PRD7



RC-PRD11

PART NO.	COIL VOLTS	AMPS	CONTACT ARRANGEMENTS
RC-PRD3AYO-240	240*	25 AMPS @ 277VAC 1HP @ 120VAC 2HP @ 250VAC	SPST - NO - DM Single Pole, Single Throw
RC-PRD5AYO-24	24*	10 AMPS @ 600VAC 7AMPS @ 50VDC RES.	SPDT Single Pole, Double Throw
RC-PRD7AYO-24	24*	25 AMPS @ 240VAC 20 AMPS @ 277VAC 1HP @ 120VAC 2HP @ 250VAC	DPST - NO Double Pole, Single Throw Normally Open
RC-PRD7AYO-240	240*	7AMPS @ 50VDC RES. 10 AMPS @ 600VAC * Stock Delivery	DPDT Double Pole, Double Throw
RC-PRD11DYO-110	110 DC		(DC) (DC)
W199X13 "DC" Same as PRD11DYO 24	24*	40 AMPS, 300 VAC/28VDC 5AMPS, 480/600 VAC 1.5HP EA. POLE @ 120-600VAC	DPDT Double Pole, Double Throw
W199X14 "DC" Same as PRD11DYO-110	110 DC	2HP SW 2 POLE @ 200-600VAC 10A TUNG. 120V 50/60 HZ	

DUST COVER ENCLOSURES

FOR CONTACTORS	AHK-425A	FOR PRD SERIES RELAYS	RC35DO13
<p>Fits DPC/ACC, and most other 20-60 amp contactors. Plus many other small frame units.</p>  <ul style="list-style-type: none"> ● 1...7/8, 1 1/8, and 1 3/4 Knockouts on each end. ● 4...7/32 Dia. Holes on 3.25" x 5.25". ● Size... 6-3/8"L x 4-15/16"W x 3-3/4"H ● 2.2 lbs each ● Hardware Included. 		<p>Base and Cover made of Heavy sheet metal.</p>  <ul style="list-style-type: none"> ● 4...1/2" Knockouts for .5" dia. Conduit. ● 3...#10 Holes on 1.875" x 4.125" Centers. ● Size... 5-5/16 L x 3-3/8 W x 3-1/8 H ● 1.16 lb. each. ● Hardware Included. 	

2170
Smithtown Avenue

RELAY AND CONTROL CORP.

Ronkonkoma
New York 11779

REVERSING DRUM CONTROLS



RS-1A
RS-1A-MP
RS-1
RS-1M



RS-1A-SH
RS-1A-MS
RS-1-SH
RS-1M-SH



RS-2



RS-5

Forward - Off - Reverse Positions
6 Maintained or (Momentary) Contacts
Finished with a Grey Powder Coating

- One piece metal frame heavy gauge pressed steel (grey finish).
- Top covers are formed from cold-rolled steel, and lined with Nomex®. Wiring diagrams are included.
- End covers are fabricated of steel, formed with flange for maximum protection against dust and moisture.
- Rotor contacts formed of hard rolled copper, firmly attached to steel rod covered by Bakelite tubing for best insulation.
- All finger contacts are cold forged copper.
- Arc shields and finger boards are of laminated Bakelite.
- Spring, roller and cam action incorporated to prevent "arcing" and "burning" of contacts.
- Corrosion protected construction.

PART NO.	U.L. & CSA	HORSEPOWER RATINGS							Dimensions (Inches)	Weight (Lbs.)
		SINGLE		POLYPHASE			DC			
		115V	230V	115V	230V	440-550V	115V	230V		
RS-1A*	Yes	1½	2	*For single phase only			¼	¼	2½ x 4 x 4 ½	1½
RS-1A-SH*	Yes	1½	2	*For single phase only			¼	¼	2½ x 4 x 4 ½	1½
RS-1A-MP*	Yes	1½	2	*For single phase only			¼	¼	2½ x 4 x 4 ½	1½
RS-1A-MS*	Yes	1½	2	*For single phase only			¼	¼	2½ x 4 x 4 ½	1½
RS-1	Yes	1½	2	2	2	1	¼	¼	2½ x 4 x 4 ½	1½
RS-1-SH	Yes	1½	2	2	2	1	¼	¼	2½ x 4 x 4 ½	1½
RS-1M	Yes	1½	2	2	2	1	¼	¼	2½ x 4 x 4 ½	1½
RS-1M-SH	Yes	1½	2	2	2	1	¼	¼	2½ x 4 x 4 ½	1½
RS-2	No	1½	2	2	2	2	1	1	3½ x 5 x 5 ½	2¾
RS-5	Yes	2	3	3	5	7½	2	2	3½ x 6 1/8 x 5 5/8	3¼

NOTE: DO NOT USE WITH INSTANT REVERSE MOTORS

M = Momentary only P = Plastic handle S or SH = Steel handle

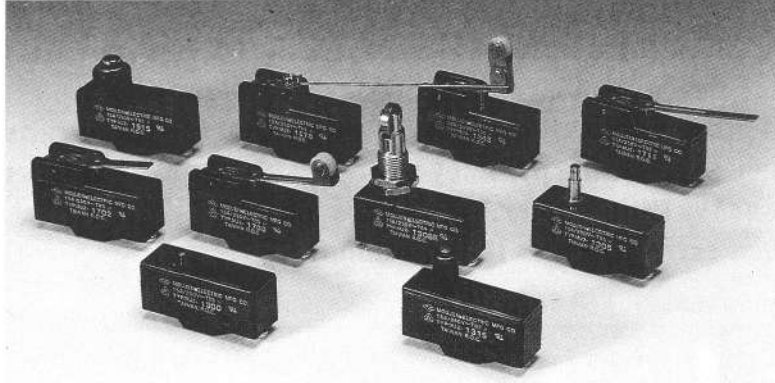
PART NO.	W.W. GRAINGER	MSC IND.	McMASTER CARR	CUTLER HAMMER	FURNAS	GE	SQUARE D
RS-1A	2X440	63748883	7065 K21			CR 102 A2	AG-2
RS-1A-SH	4UYE9					CR 102 A2	
RS-1A-MP	5DJN3					CR 102 A2	
RS-1A-MS	5DJN4					CR 102 A2	
RS-1	2X441	63748875	7065 K23	H-268	R-44	CR 102 A1	AG-2
RS-1-SH	4UYF1					CR 102 A1	
RS-1M	4UYE7	63748891	7065 K22	H-271	R-44R	CR 102 A1	
RS-1M-SH	4UYE8					CR 102 A1	
RS-2	2X442	63748909	7065 K24	H-353	J-2		
RS-5	2X443	63748917	7065 K25	H-284	J-5		BG-1

Phone No.
631-981-9204

800-327-6445

Fax No.
631-981-9203

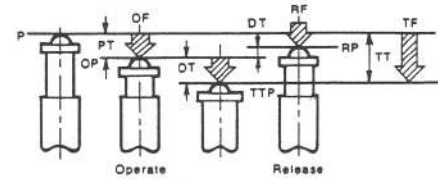
MICRO SWITCHES



FEATURES

- Momentary contacts
- Regular or sealed operating heads.
- Completely sealed construction.
- The elastomer boot on sealed actuator versions protect the actuating mechanism and the internal basic switch from contaminations.

Operating speed	0.01mm to 1m/sec
Operating frequency	Mechanically: 240 operations/min. Electrically: 20 operations/min.
Contact resistance	15m Ω max. (initial)
Insulation resistance	100M Ω min. (at 500 VDC)
Dielectric strength	1,000 VAC, 50/60 Hz for 1 minute between non-continuous terminals 2,000 VAC, 50/60 Hz for 1 minute between current-carry part and ground
Vibration	Mechanical durability: 10 to 55Hz 1.5mm double amplitude
Shock	Mechanical durability: Approx. 1,000m/sec ² (approx. 100G's) Malfunction durability: Approx. 300 m/sec ² (approx. 30 G's)
Ambient operating temperature	General purpose type: -25° to + 80°C Sealed type: -15 to 80°C
Humidity	General purpose type: 85% RH max. Sealed type: 95% RH
Service life	Mechanically: 20,000,000 operations min Electrically: 500,000 operations min.



- OF : Operating Force TTP : Total Travel Position
 RF : Releasing Force PT : Pretravel
 TF : Total Force OT : Overtravel
 FP : Free Position DT : Travel Differential
 OP : Operating Position TT : Total Travel
 RP : Releasing Position

CIRCUITRY	ELECTRICAL RATING
<p>Single-Pole Double-Throws</p>	15 amp, 125, 250 or 480 VAC. 1/8 HP, 125 VAC, 1/4 HP, 250 VAC. 1/2 amp, 125 VDC, 1/4 amp, 250 VDC.

ORDER GUIDE


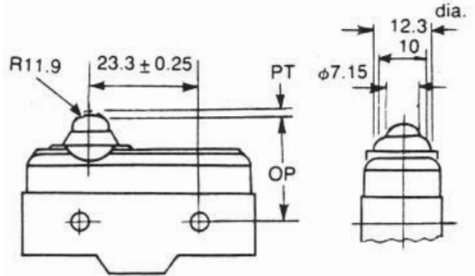

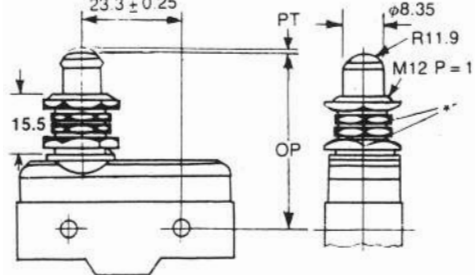

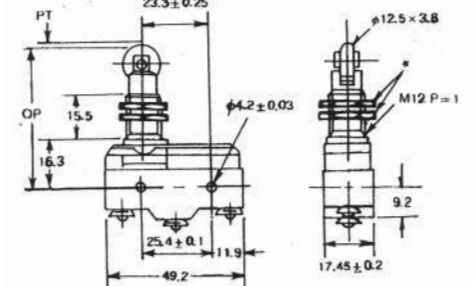

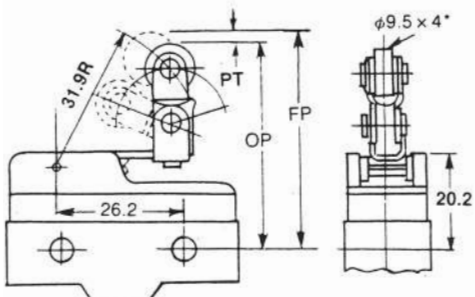

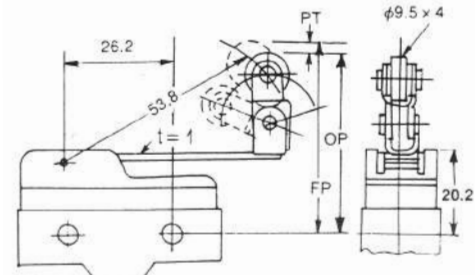
ITEM No	DIMENSIONS (mm)	OPERATING CHARACTERISTICS														
MJ2-1300 		<table border="1"> <tr><td>OF MAX</td><td>250-400g</td></tr> <tr><td>RF MIN</td><td>114g</td></tr> <tr><td>PT MAX</td><td>0.5mm</td></tr> <tr><td>OT MIN</td><td>0.13mm</td></tr> <tr><td>DT MAX</td><td>0.05mm</td></tr> <tr><td>FP MAX</td><td></td></tr> <tr><td>OP</td><td>15.9 ± 0.4mm</td></tr> </table>	OF MAX	250-400g	RF MIN	114g	PT MAX	0.5mm	OT MIN	0.13mm	DT MAX	0.05mm	FP MAX		OP	15.9 ± 0.4mm
OF MAX	250-400g															
RF MIN	114g															
PT MAX	0.5mm															
OT MIN	0.13mm															
DT MAX	0.05mm															
FP MAX																
OP	15.9 ± 0.4mm															
MJ2-1305 		<table border="1"> <tr><td>OF MAX</td><td>250-400g</td></tr> <tr><td>RF MIN</td><td>114g</td></tr> <tr><td>PT MAX</td><td>0.5mm</td></tr> <tr><td>OT MIN</td><td>1.6mm</td></tr> <tr><td>DT MAX</td><td>0.05mm</td></tr> <tr><td>FP MAX</td><td></td></tr> <tr><td>OP</td><td>28.2 ± 0.5mm</td></tr> </table>	OF MAX	250-400g	RF MIN	114g	PT MAX	0.5mm	OT MIN	1.6mm	DT MAX	0.05mm	FP MAX		OP	28.2 ± 0.5mm
OF MAX	250-400g															
RF MIN	114g															
PT MAX	0.5mm															
OT MIN	1.6mm															
DT MAX	0.05mm															
FP MAX																
OP	28.2 ± 0.5mm															

2170
Smithtown Avenue

RELAY AND CONTROL CORP.

Ronkonkoma
New York 11779

MICRO SWITCHES


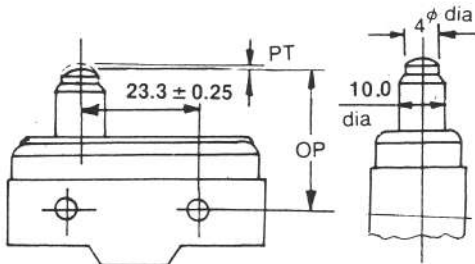

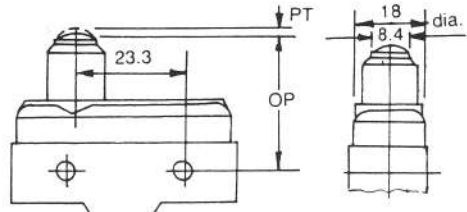

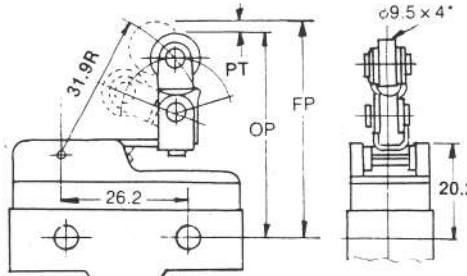

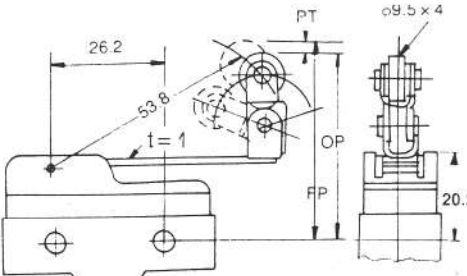

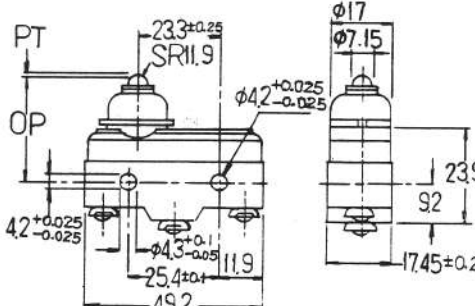
ITEM No	DIMENSIONS (mm)	OPERATING CHARACTERISTICS														
<p>MJ2-1306</p>  <p>MOLJEN-ELECTRIC MFG CO. 15A/250V-T85 TYP: MJ2-1306 TAIWAN R.O.C.</p>		<table border="1"> <tr><td>OF MAX</td><td>250-400g</td></tr> <tr><td>RF MIN</td><td>114g</td></tr> <tr><td>PT MAX</td><td>0.5mm</td></tr> <tr><td>OT MIN</td><td>1.6mm</td></tr> <tr><td>DT MAX</td><td>0.05mm</td></tr> <tr><td>FP MAX</td><td></td></tr> <tr><td>OP</td><td>21.5 ± 0.5mm</td></tr> </table>	OF MAX	250-400g	RF MIN	114g	PT MAX	0.5mm	OT MIN	1.6mm	DT MAX	0.05mm	FP MAX		OP	21.5 ± 0.5mm
OF MAX	250-400g															
RF MIN	114g															
PT MAX	0.5mm															
OT MIN	1.6mm															
DT MAX	0.05mm															
FP MAX																
OP	21.5 ± 0.5mm															
<p>MJ2-1307</p>  <p>MOLJEN-ELECTRIC MFG CO. 15A/250V-T85 TYP: MJ2-1307 TAIWAN R.O.C.</p>	 <p>* 2 hexagon nuts thickness: 3mm</p>	<table border="1"> <tr><td>OF MAX</td><td>250-450g</td></tr> <tr><td>RF MIN</td><td>114g</td></tr> <tr><td>PT MAX</td><td>0.5mm</td></tr> <tr><td>OT MIN</td><td>5.5mm</td></tr> <tr><td>DT MAX</td><td>0.05mm</td></tr> <tr><td>FP MAX</td><td></td></tr> <tr><td>OP</td><td>38.1 ± 0.8mm</td></tr> </table>	OF MAX	250-450g	RF MIN	114g	PT MAX	0.5mm	OT MIN	5.5mm	DT MAX	0.05mm	FP MAX		OP	38.1 ± 0.8mm
OF MAX	250-450g															
RF MIN	114g															
PT MAX	0.5mm															
OT MIN	5.5mm															
DT MAX	0.05mm															
FP MAX																
OP	38.1 ± 0.8mm															
<p>MJ2-1308</p>  <p>MOLJEN-ELECTRIC MFG CO. 15A/250V-T85 TYP: MJ2-1308 TAIWAN R.O.C.</p>	 <p>* 2 hexagon nuts thickness: 3mm</p>	<table border="1"> <tr><td>OF MAX</td><td>250-450g</td></tr> <tr><td>RF MIN</td><td>114g</td></tr> <tr><td>PT MAX</td><td>0.5mm</td></tr> <tr><td>OT MIN</td><td>3.58mm</td></tr> <tr><td>DT MAX</td><td>0.05mm</td></tr> <tr><td>FP MAX</td><td></td></tr> <tr><td>OP</td><td>49.7 ± 1.2mm</td></tr> </table>	OF MAX	250-450g	RF MIN	114g	PT MAX	0.5mm	OT MIN	3.58mm	DT MAX	0.05mm	FP MAX		OP	49.7 ± 1.2mm
OF MAX	250-450g															
RF MIN	114g															
PT MAX	0.5mm															
OT MIN	3.58mm															
DT MAX	0.05mm															
FP MAX																
OP	49.7 ± 1.2mm															
<p>MJ2-1543</p>  <p>MOLJEN-ELECTRIC MFG CO. 15A/250V-T85 TYP: MJ2-1543 TAIWAN R.O.C.</p>		<table border="1"> <tr><td>OF MAX</td><td>170g</td></tr> <tr><td>RF MIN</td><td>42g</td></tr> <tr><td>PT MAX</td><td>2.7mm</td></tr> <tr><td>OT MIN</td><td>2.4mm</td></tr> <tr><td>DT MAX</td><td>0.51mm</td></tr> <tr><td>FP MAX</td><td></td></tr> <tr><td>OP</td><td>41.3 ± 0.8mm</td></tr> </table>	OF MAX	170g	RF MIN	42g	PT MAX	2.7mm	OT MIN	2.4mm	DT MAX	0.51mm	FP MAX		OP	41.3 ± 0.8mm
OF MAX	170g															
RF MIN	42g															
PT MAX	2.7mm															
OT MIN	2.4mm															
DT MAX	0.51mm															
FP MAX																
OP	41.3 ± 0.8mm															
<p>MJ2-1544</p>  <p>MOLJEN-ELECTRIC MFG CO. 15A/250V-T85 TYP: MJ2-1544 TAIWAN R.O.C.</p>		<table border="1"> <tr><td>OF MAX</td><td>110g</td></tr> <tr><td>RF MIN</td><td>25g</td></tr> <tr><td>PT MAX</td><td>6.4mm</td></tr> <tr><td>OT MIN</td><td>4.0mm</td></tr> <tr><td>DT MAX</td><td>1.6mm</td></tr> <tr><td>FP MAX</td><td>47.2mm</td></tr> <tr><td>OP</td><td>41.3 ± 0.8mm</td></tr> </table>	OF MAX	110g	RF MIN	25g	PT MAX	6.4mm	OT MIN	4.0mm	DT MAX	1.6mm	FP MAX	47.2mm	OP	41.3 ± 0.8mm
OF MAX	110g															
RF MIN	25g															
PT MAX	6.4mm															
OT MIN	4.0mm															
DT MAX	1.6mm															
FP MAX	47.2mm															
OP	41.3 ± 0.8mm															

Phone No.
631-981-9204


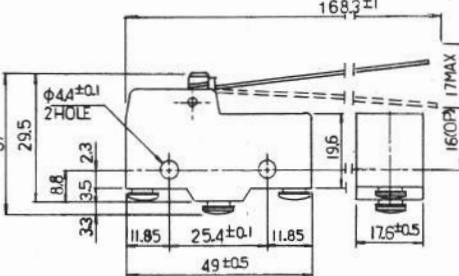

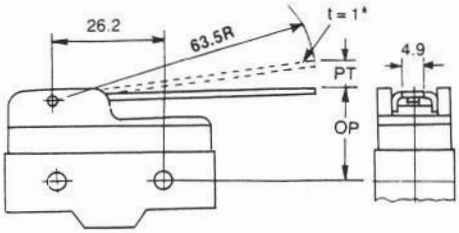

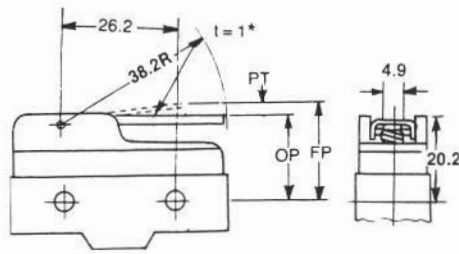
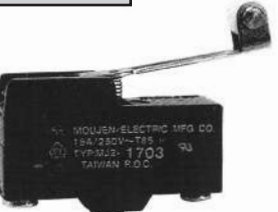
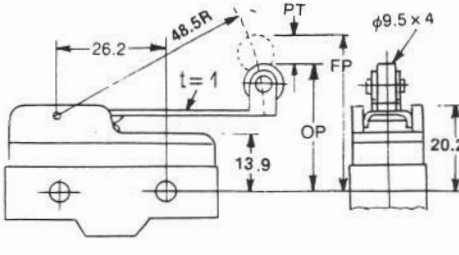

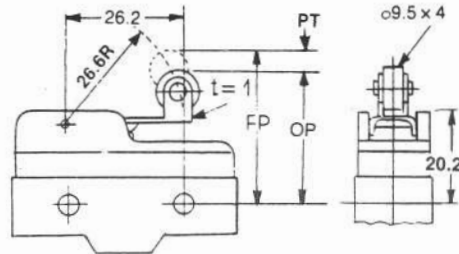
800-327-6445

Fax No.
631-981-9203

MICRO SWITCHES

ITEM No	DIMENSIONS (mm)	OPERATING CHARACTERISTICS														
<p>MJ2-1315</p> 		<table border="1"> <tr><td>OF MAX</td><td>540g</td></tr> <tr><td>RF MIN</td><td>114g</td></tr> <tr><td>PT MAX</td><td>1.9mm</td></tr> <tr><td>OT MIN</td><td>1.6mm</td></tr> <tr><td>DT MAX</td><td>0.06mmg</td></tr> <tr><td>FP MAX</td><td>±0.3</td></tr> <tr><td>OP</td><td>28.2 ± 0.5mm</td></tr> </table>	OF MAX	540g	RF MIN	114g	PT MAX	1.9mm	OT MIN	1.6mm	DT MAX	0.06mmg	FP MAX	±0.3	OP	28.2 ± 0.5mm
OF MAX	540g															
RF MIN	114g															
PT MAX	1.9mm															
OT MIN	1.6mm															
DT MAX	0.06mmg															
FP MAX	±0.3															
OP	28.2 ± 0.5mm															
<p>MJ2-1317</p> 		<table border="1"> <tr><td>OF MAX</td><td>540g</td></tr> <tr><td>RF MIN</td><td>114g</td></tr> <tr><td>PT MAX</td><td>2.4mm</td></tr> <tr><td>OT MIN</td><td>3.5mm</td></tr> <tr><td>DT MAX</td><td>0.06mm</td></tr> <tr><td>FP MAX</td><td></td></tr> <tr><td>OP</td><td>38.1 ± 1.2mm</td></tr> </table>	OF MAX	540g	RF MIN	114g	PT MAX	2.4mm	OT MIN	3.5mm	DT MAX	0.06mm	FP MAX		OP	38.1 ± 1.2mm
OF MAX	540g															
RF MIN	114g															
PT MAX	2.4mm															
OT MIN	3.5mm															
DT MAX	0.06mm															
FP MAX																
OP	38.1 ± 1.2mm															
<p>MJ2-1513</p> 		<table border="1"> <tr><td>OF MAX</td><td>180g</td></tr> <tr><td>RF MIN</td><td>50g</td></tr> <tr><td>PT MAX</td><td>2.7mm</td></tr> <tr><td>OT MIN</td><td>2.4mm</td></tr> <tr><td>DT MAX</td><td>0.8mm</td></tr> <tr><td>FP MAX</td><td>43.6mm</td></tr> <tr><td>OP</td><td>41.3 ± 0.8mm</td></tr> </table>	OF MAX	180g	RF MIN	50g	PT MAX	2.7mm	OT MIN	2.4mm	DT MAX	0.8mm	FP MAX	43.6mm	OP	41.3 ± 0.8mm
OF MAX	180g															
RF MIN	50g															
PT MAX	2.7mm															
OT MIN	2.4mm															
DT MAX	0.8mm															
FP MAX	43.6mm															
OP	41.3 ± 0.8mm															
<p>MJ2-1514</p> 		<table border="1"> <tr><td>OF MAX</td><td>150g</td></tr> <tr><td>RF MIN</td><td>25g</td></tr> <tr><td>PT MAX</td><td>6.4mm</td></tr> <tr><td>OT MIN</td><td>4.0mm</td></tr> <tr><td>DT MAX</td><td>1.6mm</td></tr> <tr><td>FP MAX</td><td>47.2mm</td></tr> <tr><td>OP</td><td>41.3 ± 0.8mm</td></tr> </table>	OF MAX	150g	RF MIN	25g	PT MAX	6.4mm	OT MIN	4.0mm	DT MAX	1.6mm	FP MAX	47.2mm	OP	41.3 ± 0.8mm
OF MAX	150g															
RF MIN	25g															
PT MAX	6.4mm															
OT MIN	4.0mm															
DT MAX	1.6mm															
FP MAX	47.2mm															
OP	41.3 ± 0.8mm															
<p>MJ2-1515</p> 		<table border="1"> <tr><td>OF MAX</td><td>540g</td></tr> <tr><td>RF MIN</td><td>114g</td></tr> <tr><td>PT MAX</td><td>2.3mm</td></tr> <tr><td>OT MIN</td><td>1.6mm</td></tr> <tr><td>DT MAX</td><td>0.06mmg</td></tr> <tr><td>FP MAX</td><td></td></tr> <tr><td>OP</td><td>28.2 ± 0.5mm</td></tr> </table>	OF MAX	540g	RF MIN	114g	PT MAX	2.3mm	OT MIN	1.6mm	DT MAX	0.06mmg	FP MAX		OP	28.2 ± 0.5mm
OF MAX	540g															
RF MIN	114g															
PT MAX	2.3mm															
OT MIN	1.6mm															
DT MAX	0.06mmg															
FP MAX																
OP	28.2 ± 0.5mm															

MICRO SWITCHES


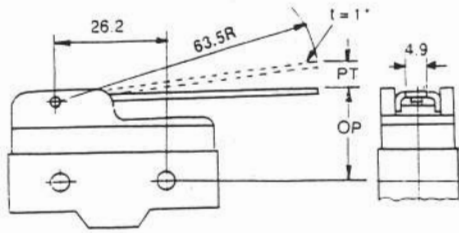

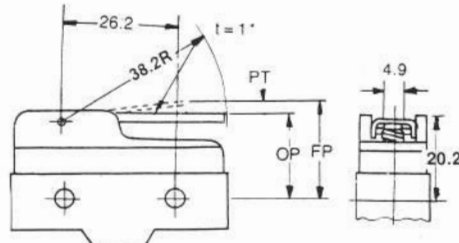

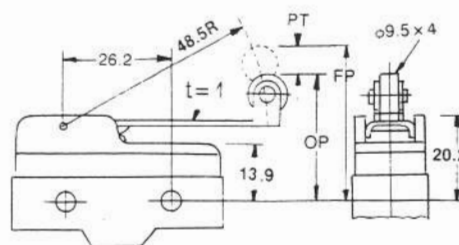

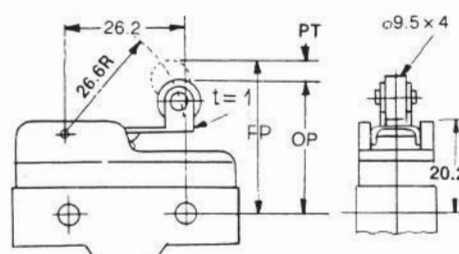
ITEM No	DIMENSIONS (mm)	OPERATING CHARACTERISTICS														
<p>MJ2-1578</p> 		<table border="1"> <tr><td>OF MAX</td><td>10g</td></tr> <tr><td>RF MIN</td><td>5g</td></tr> <tr><td>PT MAX</td><td>10mm</td></tr> <tr><td>OT MIN</td><td>6mm</td></tr> <tr><td>ND MAX</td><td>3mm</td></tr> <tr><td>OP</td><td>20 ± 1mm</td></tr> </table>	OF MAX	10g	RF MIN	5g	PT MAX	10mm	OT MIN	6mm	ND MAX	3mm	OP	20 ± 1mm		
OF MAX	10g															
RF MIN	5g															
PT MAX	10mm															
OT MIN	6mm															
ND MAX	3mm															
OP	20 ± 1mm															
<p>MJ2-1701</p> 		<table border="1"> <tr><td>OF MAX</td><td>70g</td></tr> <tr><td>RF MIN</td><td>14g</td></tr> <tr><td>PT MAX</td><td>10mm</td></tr> <tr><td>OT MIN</td><td>5.6mm</td></tr> <tr><td>DT MAX</td><td>1.27mm</td></tr> <tr><td>FP MAX</td><td>28.2mm</td></tr> <tr><td>OP</td><td>19 ± 0.8mm</td></tr> </table>	OF MAX	70g	RF MIN	14g	PT MAX	10mm	OT MIN	5.6mm	DT MAX	1.27mm	FP MAX	28.2mm	OP	19 ± 0.8mm
OF MAX	70g															
RF MIN	14g															
PT MAX	10mm															
OT MIN	5.6mm															
DT MAX	1.27mm															
FP MAX	28.2mm															
OP	19 ± 0.8mm															
<p>MJ2-1702</p> 		<table border="1"> <tr><td>OF MAX</td><td>120g</td></tr> <tr><td>RF MIN</td><td>20g</td></tr> <tr><td>PT MAX</td><td>7.9mm</td></tr> <tr><td>OT MIN</td><td>3.0mm</td></tr> <tr><td>DT MAX</td><td>1.0mm</td></tr> <tr><td>FP MAX</td><td>26.2mm</td></tr> <tr><td>OP</td><td>19 ± 0.8mm</td></tr> </table>	OF MAX	120g	RF MIN	20g	PT MAX	7.9mm	OT MIN	3.0mm	DT MAX	1.0mm	FP MAX	26.2mm	OP	19 ± 0.8mm
OF MAX	120g															
RF MIN	20g															
PT MAX	7.9mm															
OT MIN	3.0mm															
DT MAX	1.0mm															
FP MAX	26.2mm															
OP	19 ± 0.8mm															
<p>MJ2-1703</p> 		<table border="1"> <tr><td>OF MAX</td><td>100g</td></tr> <tr><td>RF MIN</td><td>21g</td></tr> <tr><td>PT MAX</td><td>7.1mm</td></tr> <tr><td>OT MIN</td><td>4.0mm</td></tr> <tr><td>DT MAX</td><td>1.6mm</td></tr> <tr><td>FP MAX</td><td>36.5mm</td></tr> <tr><td>OP</td><td>30.2 ± 0.8mm</td></tr> </table>	OF MAX	100g	RF MIN	21g	PT MAX	7.1mm	OT MIN	4.0mm	DT MAX	1.6mm	FP MAX	36.5mm	OP	30.2 ± 0.8mm
OF MAX	100g															
RF MIN	21g															
PT MAX	7.1mm															
OT MIN	4.0mm															
DT MAX	1.6mm															
FP MAX	36.5mm															
OP	30.2 ± 0.8mm															
<p>MJ2-1704</p> 		<table border="1"> <tr><td>OF MAX</td><td>160g</td></tr> <tr><td>RF MIN</td><td>42g</td></tr> <tr><td>PT MAX</td><td>3.5mm</td></tr> <tr><td>OT MIN</td><td>2.4mm</td></tr> <tr><td>DT MAX</td><td>0.5mm</td></tr> <tr><td>FP MAX</td><td>34.5mm</td></tr> <tr><td>OP</td><td>30.2 ± 0.8mm</td></tr> </table>	OF MAX	160g	RF MIN	42g	PT MAX	3.5mm	OT MIN	2.4mm	DT MAX	0.5mm	FP MAX	34.5mm	OP	30.2 ± 0.8mm
OF MAX	160g															
RF MIN	42g															
PT MAX	3.5mm															
OT MIN	2.4mm															
DT MAX	0.5mm															
FP MAX	34.5mm															
OP	30.2 ± 0.8mm															

Phone No.
631-981-9204

800-327-6445

Fax No.
631-981-9203

MICRO SWITCHES

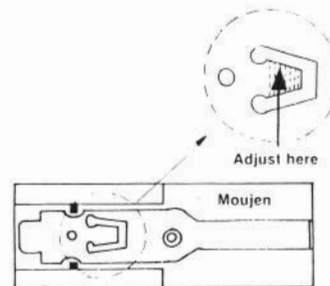
ITEM No	DIMENSIONS (mm)	OPERATING CHARACERISTICS														
MJ2-1711 		<table border="1"> <tr><td>OF MAX</td><td>100g</td></tr> <tr><td>RF MIN</td><td>14g</td></tr> <tr><td>PT MAX</td><td>10mm</td></tr> <tr><td>OT MIN</td><td>5.6mm</td></tr> <tr><td>DT MAX</td><td>2.0mm</td></tr> <tr><td>FP MAX</td><td>28.2mm</td></tr> <tr><td>OP</td><td>19 ± 0.8mm</td></tr> </table>	OF MAX	100g	RF MIN	14g	PT MAX	10mm	OT MIN	5.6mm	DT MAX	2.0mm	FP MAX	28.2mm	OP	19 ± 0.8mm
OF MAX	100g															
RF MIN	14g															
PT MAX	10mm															
OT MIN	5.6mm															
DT MAX	2.0mm															
FP MAX	28.2mm															
OP	19 ± 0.8mm															
MJ2-1712 		<table border="1"> <tr><td>OF MAX</td><td>150g</td></tr> <tr><td>RF MIN</td><td>23g</td></tr> <tr><td>PT MAX</td><td>7.9mm</td></tr> <tr><td>OT MIN</td><td>3.0mm</td></tr> <tr><td>DT MAX</td><td>1.5mm</td></tr> <tr><td>FP MAX</td><td>26.2mm</td></tr> <tr><td>OP</td><td>19 ± 0.8mm</td></tr> </table>	OF MAX	150g	RF MIN	23g	PT MAX	7.9mm	OT MIN	3.0mm	DT MAX	1.5mm	FP MAX	26.2mm	OP	19 ± 0.8mm
OF MAX	150g															
RF MIN	23g															
PT MAX	7.9mm															
OT MIN	3.0mm															
DT MAX	1.5mm															
FP MAX	26.2mm															
OP	19 ± 0.8mm															
MJ2-1713 		<table border="1"> <tr><td>OF MAX</td><td>130g</td></tr> <tr><td>RF MIN</td><td>21g</td></tr> <tr><td>PT MAX</td><td>7.1mm</td></tr> <tr><td>OT MIN</td><td>4.0mm</td></tr> <tr><td>DT MAX</td><td>1.6mm</td></tr> <tr><td>FP MAX</td><td>36.5mm</td></tr> <tr><td>OP</td><td>30.2 ± 0.8mm</td></tr> </table>	OF MAX	130g	RF MIN	21g	PT MAX	7.1mm	OT MIN	4.0mm	DT MAX	1.6mm	FP MAX	36.5mm	OP	30.2 ± 0.8mm
OF MAX	130g															
RF MIN	21g															
PT MAX	7.1mm															
OT MIN	4.0mm															
DT MAX	1.6mm															
FP MAX	36.5mm															
OP	30.2 ± 0.8mm															
MJ2-1714 		<table border="1"> <tr><td>OF MAX</td><td>200g</td></tr> <tr><td>RF MIN</td><td>42g</td></tr> <tr><td>PT MAX</td><td>3.5mm</td></tr> <tr><td>OT MIN</td><td>2.4mm</td></tr> <tr><td>DT MAX</td><td>0.5mm</td></tr> <tr><td>FP MAX</td><td>34.5mm</td></tr> <tr><td>OP</td><td>30.2 ± 0.8mm</td></tr> </table>	OF MAX	200g	RF MIN	42g	PT MAX	3.5mm	OT MIN	2.4mm	DT MAX	0.5mm	FP MAX	34.5mm	OP	30.2 ± 0.8mm
OF MAX	200g															
RF MIN	42g															
PT MAX	3.5mm															
OT MIN	2.4mm															
DT MAX	0.5mm															
FP MAX	34.5mm															
OP	30.2 ± 0.8mm															

REMARK :
OIL TIGHT SERIES

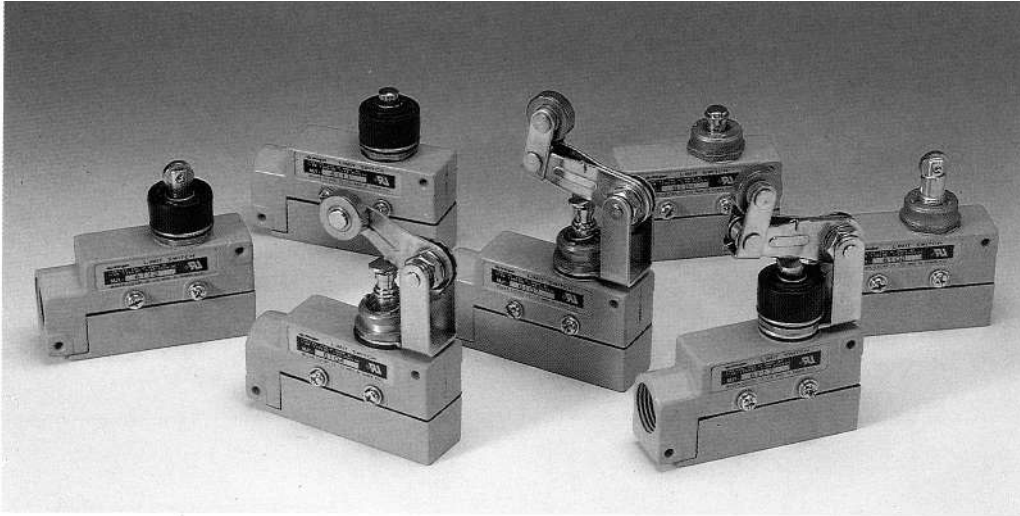
MJ2-1315 MJ2-1711
 MJ2-1317 MJ2-1712
 MJ2-1513 MJ2-1713
 MJ2-1514 MJ2-1714
 MJ2-1515

SENSITIVITY ADJUSTABLE SERIES

MJ2-1543 MJ2-1711
 MJ2-1544 MJ2-1712
 MJ2-1701 MJ2-1713
 MJ2-1702 MJ2-1714
 MJ2-1703 MJ2-1513
 MJ2-1704 MJ2-1514



ENCLOSED LIMIT SWITCHES



ELECTRICAL RATINGS

CIRCUITRY	ELECTRICAL RATING
<p>Single-Pole Double-Throw</p>	15 amp, 125, 250 or 480 VAC; 1/8 HP, 125 VAC; 1/4 HP, 250 VAC; 1/2 amp, 125 VDC; 1/4 amp 250 VDC.

CHARACTERISTICS

Operating speed	0.01 mm to 1m/sec
Operating frequency	Mechanically: 240 operations/min Electrically: 20 operations/min.
Contact resistance	15m Ω max. (initial)
Insulation resistance	100M Ω min. (at 500 VDC)
Dielectric strength	1,000 VAC, 50/60 Hz for 1 minute between non-continuous terminals
	2,000 VAC, 50/60 Hz for 1 minute between current-carrying part and ground
Vibration	Mechanical durability: 10 to 55Hz 1.5mm double amplitude
Shock	Mechanical durability: Approx. 1,000m/sec ² (approx. 100G's) Malfunction durability: Approx. 300 m/sec ² (approx. 30 G's)
Ambient operating temperature	General purpose type: -25° to +80°C Sealed type: -15 to 80°C
Humidity	General purpose type: 85% RH max. Sealed type: 95% RH
Service life	Mechanically: 20,000,000 operations min Electrically: 500,000 operations min.

FEATURES

- Side mounted switches.
- Momentary contact.
- Grounding Screw.
- Level or plunger operation.
- Regular or sealed operation head.
- Completely sealed construction.
- Cast aluminum housing.
- 1/2" conduit entry, captive cover screws.
- Dustproof, Oil-tight, water-resistant.
- Temp. range +5°F to +175°F (-15°C to +80°C)

MJ-1 side mounted switches are offered with or without actuator seal boots. Both have a combination insulator/seal cemented inside the bottom enclosure. Lead washers are used to seal the mounting holes on side mounted switches.

The elastomer boot on sealed actuator versions and cover seal on all switches protect the actuating mechanism and the internal basic switch from contamination.

All side mounted switches are installed with M4 screws. Removal of the bottom enclosure exposes the terminals for easy wiring.

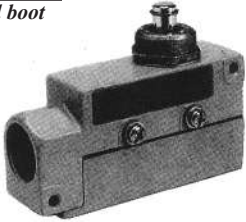
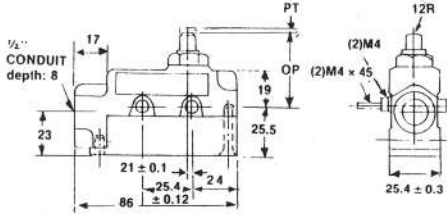
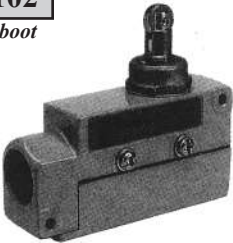
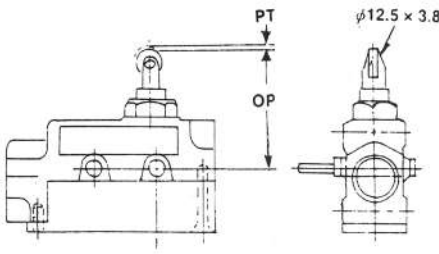
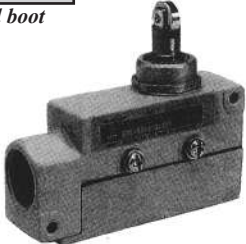
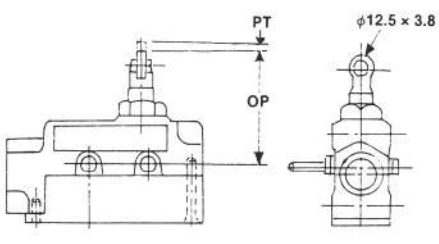
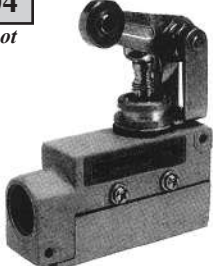
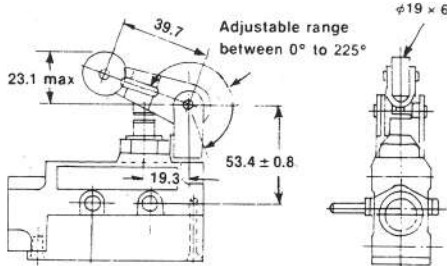

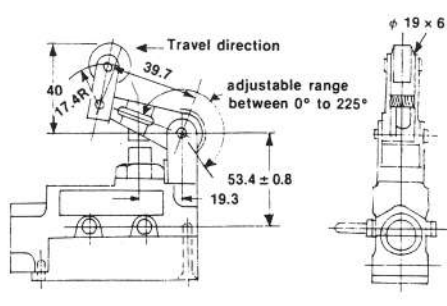
MJ1-6106 Wobble Head Unit is available, but not shown on page 20)

Phone No.
631-981-9204

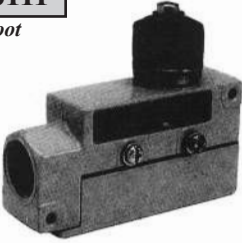
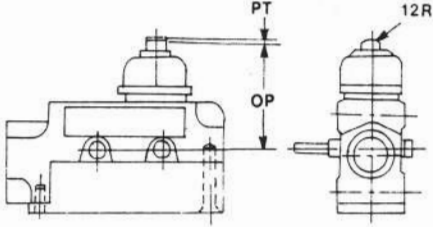

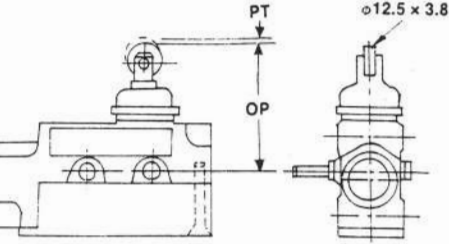
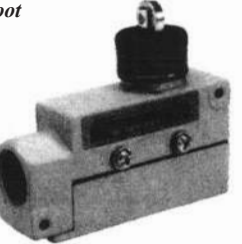
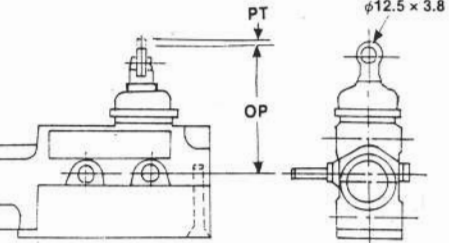

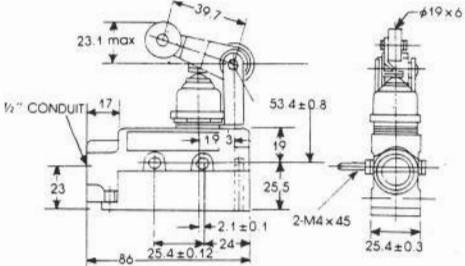

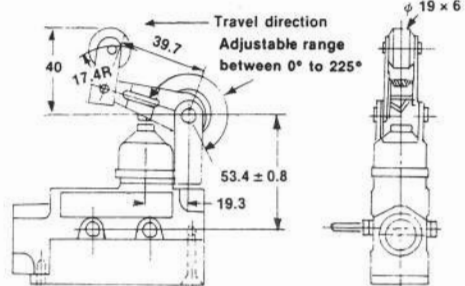
800-327-6445

Fax No.
631-981-9203

ENCLOSED LIMIT SWITCHES

ITEM No	DIMENSIONS (mm)	OPERATING CHARACTERISTICS												
<p>MJ1-6101 <i>without seal boot</i></p> 		<table border="1" style="width: 100%; border-collapse: collapse;"> <tr><td>OF MAX</td><td>250—450g</td></tr> <tr><td>RF MIN</td><td>114g</td></tr> <tr><td>PT MAX</td><td>0.8mm</td></tr> <tr><td>OT MIN</td><td>5.5mm</td></tr> <tr><td>DT MAX</td><td>0.05mm</td></tr> <tr><td>OP</td><td>40.2 ± 0.8mm</td></tr> </table>	OF MAX	250—450g	RF MIN	114g	PT MAX	0.8mm	OT MIN	5.5mm	DT MAX	0.05mm	OP	40.2 ± 0.8mm
OF MAX	250—450g													
RF MIN	114g													
PT MAX	0.8mm													
OT MIN	5.5mm													
DT MAX	0.05mm													
OP	40.2 ± 0.8mm													
<p>MJ1-6102 <i>without seal boot</i></p> 		<table border="1" style="width: 100%; border-collapse: collapse;"> <tr><td>OF MAX</td><td>250—450g</td></tr> <tr><td>RF MIN</td><td>114g</td></tr> <tr><td>PT MAX</td><td>0.8mm</td></tr> <tr><td>OT MIN</td><td>3.6mm</td></tr> <tr><td>DT MAX</td><td>0.05mm</td></tr> <tr><td>OP</td><td>50.7 ± 0.8mm</td></tr> </table>	OF MAX	250—450g	RF MIN	114g	PT MAX	0.8mm	OT MIN	3.6mm	DT MAX	0.05mm	OP	50.7 ± 0.8mm
OF MAX	250—450g													
RF MIN	114g													
PT MAX	0.8mm													
OT MIN	3.6mm													
DT MAX	0.05mm													
OP	50.7 ± 0.8mm													
<p>MJ1-6102R <i>without seal boot</i></p> 		<table border="1" style="width: 100%; border-collapse: collapse;"> <tr><td>OF MAX</td><td>250—450g</td></tr> <tr><td>RF MIN</td><td>114g</td></tr> <tr><td>PT MAX</td><td>0.8mm</td></tr> <tr><td>OT MIN</td><td>3.6mm</td></tr> <tr><td>DT MAX</td><td>0.05mm</td></tr> <tr><td>OP</td><td>50.7 ± 0.8mm</td></tr> </table>	OF MAX	250—450g	RF MIN	114g	PT MAX	0.8mm	OT MIN	3.6mm	DT MAX	0.05mm	OP	50.7 ± 0.8mm
OF MAX	250—450g													
RF MIN	114g													
PT MAX	0.8mm													
OT MIN	3.6mm													
DT MAX	0.05mm													
OP	50.7 ± 0.8mm													
<p>MJ1-6104 <i>without seal boot</i></p> 		<table border="1" style="width: 100%; border-collapse: collapse;"> <tr><td>OF MAX</td><td>570g</td></tr> <tr><td>RF MIN</td><td>170g</td></tr> <tr><td>PT MAX</td><td>4mm</td></tr> <tr><td>OT MIN</td><td>6mm</td></tr> <tr><td>DT MAX</td><td>0.4mm</td></tr> </table>	OF MAX	570g	RF MIN	170g	PT MAX	4mm	OT MIN	6mm	DT MAX	0.4mm		
OF MAX	570g													
RF MIN	170g													
PT MAX	4mm													
OT MIN	6mm													
DT MAX	0.4mm													
<p>MJ1-6107 <i>without seal boot</i></p> 		<table border="1" style="width: 100%; border-collapse: collapse;"> <tr><td>OF MAX</td><td>600g</td></tr> <tr><td>RF MIN</td><td>170g</td></tr> <tr><td>PT MAX</td><td>5mm</td></tr> <tr><td>OT MIN</td><td>5.5mm</td></tr> <tr><td>DT MAX</td><td>0.72mm</td></tr> </table>	OF MAX	600g	RF MIN	170g	PT MAX	5mm	OT MIN	5.5mm	DT MAX	0.72mm		
OF MAX	600g													
RF MIN	170g													
PT MAX	5mm													
OT MIN	5.5mm													
DT MAX	0.72mm													

ENCLOSED LIMIT SWITCHES

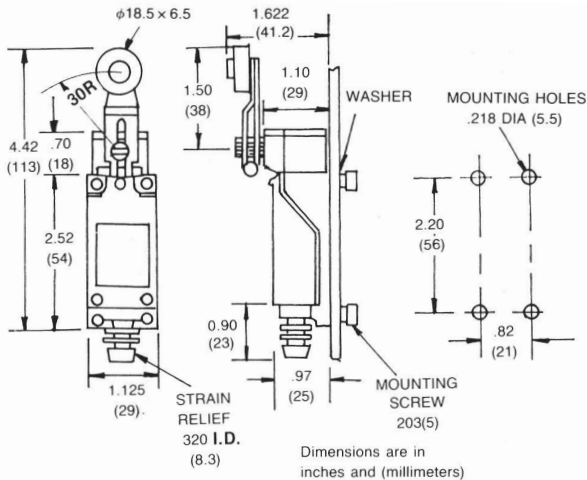
ITEM No	DIMENSIONS (mm)	OPERATING CHARACTERISTICS												
<p>MJ1-6111 <i>with seal boot</i></p> 		<table border="1"> <tr><td>OF MAX</td><td>800g</td></tr> <tr><td>RF MIN</td><td>240g</td></tr> <tr><td>PT MAX</td><td>2mm</td></tr> <tr><td>OT MIN</td><td>5mm</td></tr> <tr><td>DT MAX</td><td>0.1mm</td></tr> <tr><td>OP</td><td>50.5 ± 0.8mm</td></tr> </table>	OF MAX	800g	RF MIN	240g	PT MAX	2mm	OT MIN	5mm	DT MAX	0.1mm	OP	50.5 ± 0.8mm
OF MAX	800g													
RF MIN	240g													
PT MAX	2mm													
OT MIN	5mm													
DT MAX	0.1mm													
OP	50.5 ± 0.8mm													
<p>MJ1-6112 <i>with seal boot</i></p> 		<table border="1"> <tr><td>OF MAX</td><td>500g</td></tr> <tr><td>RF MIN</td><td>100g</td></tr> <tr><td>PT MAX</td><td>2mm</td></tr> <tr><td>OT MIN</td><td>3.5mm</td></tr> <tr><td>DT MAX</td><td>0.12mm</td></tr> <tr><td>OP</td><td>49.7 ± 0.8mm</td></tr> </table>	OF MAX	500g	RF MIN	100g	PT MAX	2mm	OT MIN	3.5mm	DT MAX	0.12mm	OP	49.7 ± 0.8mm
OF MAX	500g													
RF MIN	100g													
PT MAX	2mm													
OT MIN	3.5mm													
DT MAX	0.12mm													
OP	49.7 ± 0.8mm													
<p>MJ1-6112R <i>with seal boot</i></p> 		<table border="1"> <tr><td>OF MAX</td><td>500g</td></tr> <tr><td>RF MIN</td><td>100g</td></tr> <tr><td>PT MAX</td><td>2mm</td></tr> <tr><td>OT MIN</td><td>3.5mm</td></tr> <tr><td>DT MAX</td><td>0.12mm</td></tr> <tr><td>OP</td><td>49.7 ± 0.8mm</td></tr> </table>	OF MAX	500g	RF MIN	100g	PT MAX	2mm	OT MIN	3.5mm	DT MAX	0.12mm	OP	49.7 ± 0.8mm
OF MAX	500g													
RF MIN	100g													
PT MAX	2mm													
OT MIN	3.5mm													
DT MAX	0.12mm													
OP	49.7 ± 0.8mm													
<p>MJ1-6114 <i>with seal boot</i></p> 		<table border="1"> <tr><td>OF MAX</td><td>640g</td></tr> <tr><td>RF MIN</td><td>230g</td></tr> <tr><td>PT MAX</td><td>5mm</td></tr> <tr><td>OT MIN</td><td>6mm</td></tr> <tr><td>DT MAX</td><td>0.4mm</td></tr> </table>	OF MAX	640g	RF MIN	230g	PT MAX	5mm	OT MIN	6mm	DT MAX	0.4mm		
OF MAX	640g													
RF MIN	230g													
PT MAX	5mm													
OT MIN	6mm													
DT MAX	0.4mm													
<p>MJ1-6117 <i>with seal boot</i></p> 		<table border="1"> <tr><td>OF MAX</td><td>640g</td></tr> <tr><td>RF MIN</td><td>230g</td></tr> <tr><td>PT MAX</td><td>5mm</td></tr> <tr><td>OT MIN</td><td>6mm</td></tr> <tr><td>DT MAX</td><td>0.72mm</td></tr> </table>	OF MAX	640g	RF MIN	230g	PT MAX	5mm	OT MIN	6mm	DT MAX	0.72mm		
OF MAX	640g													
RF MIN	230g													
PT MAX	5mm													
OT MIN	6mm													
DT MAX	0.72mm													

Phone No.
631-981-9204

800-327-6445

Fax No.
631-981-9203

MINI LIMIT SWITCHES



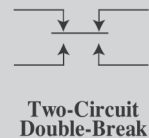
FEATURES

- UL recognized. File E100312
- Wide choice of heads and actuators.
- Captive cover screws.
- Internal grounding screw.
- Dustproof, Oil Tight, Water-resistant.
- Temp. range +5°F to +160°F (-15°C to +70°C)

ELECTRICAL RATING

UL Recognized.
 5 amps, 125, 250 VAC max. resistive.
 0.4 amp. 115 VDC max. resistive.
 Same polarity between poles.

CIRCUITRY

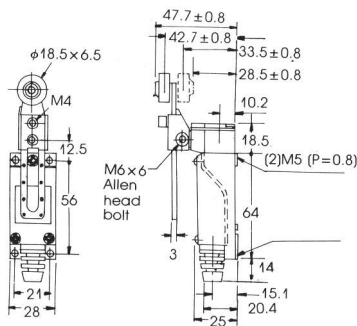


RCM-400 STANDARD ROLLER LEVER

- Contact Arrangement - 2 Circuits: 1 N.O., 1 N.C.
- Insulation Resistance - 100 MΩ on 500VDC.
- Hi-Pot Voltage - 2000VAC/minute between Ground or Metal Parts.
- Environmental Temperature - -15°C to +70°C.
- Max. Operating Frequency-120 mechanical operations per minute; 30 electrical (loads) operations per minute.
- Life Test - Mechanical: Ten Million Operations.
 Electrical: 300,000 Operations @ 5 Amp. 125/250VAC.

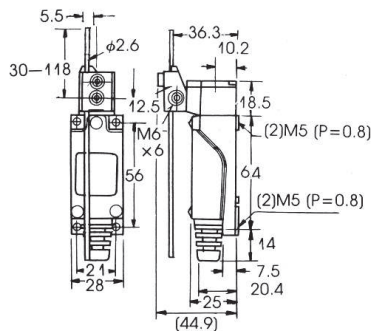
MOUNTING DIMENSIONS

● ADJUSTABLE LENGTH ROLLER LEVER



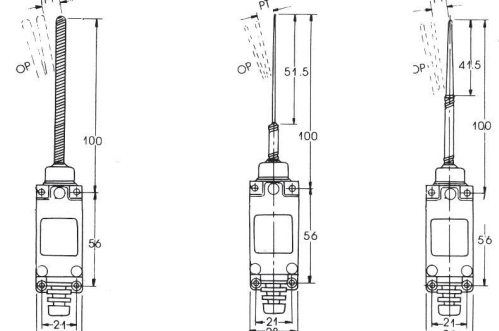
RCM-401

● ADJUSTABLE ROD LEVER



RCM-402

● COIL SPRING ROD ● PLASTIC ROD ● SPRING WIRE

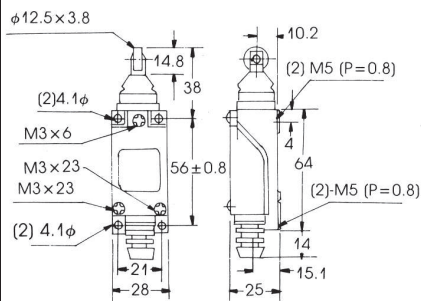


RCM-403

RCM-404

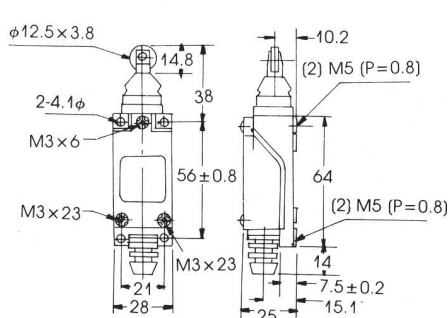
RCM-405

● TOP PUSH ROLLER



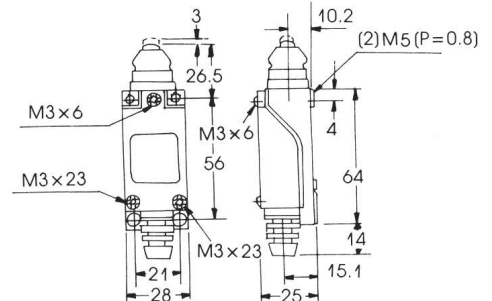
RCM-406

● TOP PUSH ROLLER



RCM-407

● TOP PUSH ROD PLUNGER












RCM-408

2170
 Smithtown Avenue

RELAY AND CONTROL CORP.

Ronkonkoma
 New York 11779

MINI LIMIT SWITCHES

STANDARD ROLLER LEVER		ADJUSTABLE LENGTH ROLLER LEVER		ADJUSTABLE ROD LEVER	
<p>Plastic Roller .688" Dia.</p> 	<p>Arm Length 1.91"</p>	<p>Plastic Roller .688" Dia.</p> 	<p>4" Adj. Rod</p>		<p>5" Rod</p>
<p>OF MAX 600g RF MIN 50g PT MAX 20° OT MIN 75° DT MAX 10° TT MIN 95°</p>	<p>RCM 400</p>	<p>OF MAX 340g RF MIN 21g PT MAX 20° OT MIN 75° DT MAX 10° TT MIN 95°</p>	<p>RCM 401</p>	<p>OF MAX 203g RF MIN 12g PT MAX 20° OT MIN 75° DT MAX 10° TT MIN 95°</p>	<p>RCM 402</p>
COIL SPRING ROD		PLASTIC ROD		SPRING WIRE	
	<p>3 1/4" Spring Coil</p>		<p>3 1/4 Coil Top 1 5/8" is Plastic</p>		<p>3 1/4 Coil Top 1 7/8" is Wire</p>
<p>OF MAX 90g RF MIN -- PT MAX 30mm OT MIN 20mm DT MAX -- TT MIN --</p>	<p>RCM 403</p>	<p>OF MAX 90g RF MIN -- PT MAX 30mm OT MIN 20mm DT MAX -- TT MIN --</p>	<p>RCM 404</p>	<p>OF MAX 90g RF MIN -- PT MAX 30mm OT MIN 20mm DT MAX -- TT MIN --</p>	<p>RCM 405</p>
TOP PUSH ROLLER		TOP PUSH ROLLER		TOP PUSH ROD PLUNGER	
					
<p>OF MAX 900g RF MIN 150g PT MAX 1.5mm OT MIN 4.0mm DT MAX 0.7mm TT MIN 5mm</p>	<p>RCM 406</p>	<p>OF MAX 900g RF MIN 150g PT MAX 1.5mm OT MIN 4.0mm DT MAX 0.7mm TT MIN 5mm</p>	<p>RCM 407</p>	<p>OF MAX 900g RF MIN 150g PT MAX 1.5mm OT MIN 4.0mm DT MAX 0.7mm TT MIN 5mm</p>	<p>RCM 408</p>

Phone No.
631-981-9204

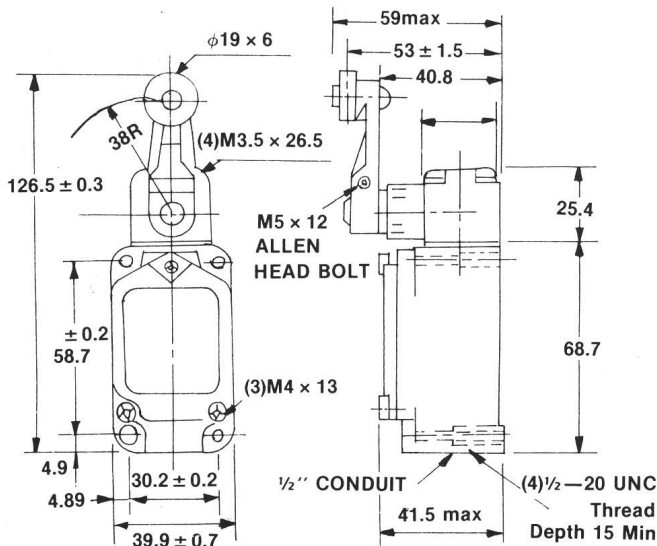
800-327-6445

Fax No.
631-981-9203

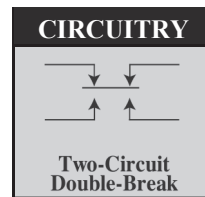
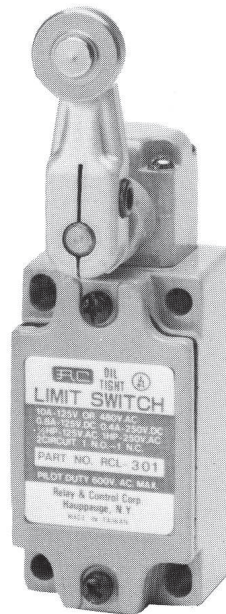
PRECISION OIL TIGHT LIMIT SWITCHES

FEATURES

- UL listed. File E100480
- Wide choice of heads and actuators.
- Captive cover screws.
- Dustproof, Oil Tight, Water-resistant.
- Silver/Gold alloy contacts, Double contact design.
- Stainless steel essentials.
- Standard size & dimensions, 1/2" conduit entry.
- Temp. range +5°F to +175°F (-15°C to +80°C)
- Hi-Pot Voltage - 2200VAC/minute
- Insulation Resistance - 100 MΩ on 500VDC.
- Contact Arrangement - 2 Circuits: 1 N.O., 1 N.C.
- Max. Operating Frequency - 120 mechanical operations per minute; 30 electrical (loads) operations per minute.
- Life Test - Mechanical: Ten Million Operations. Electrical: 750,000 Operations @ 10 Amp. 240VAC.



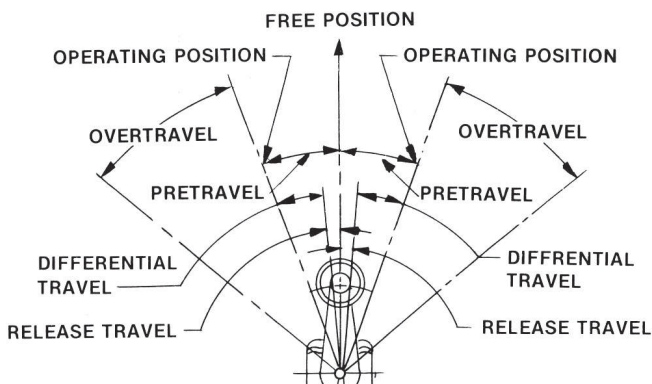
RCL-300 STANDARD ROLLER LEVER
RCL-301 OVER TRAVEL ROLLER LEVER



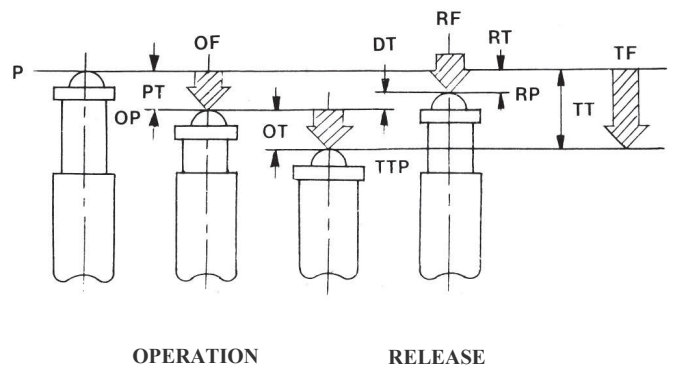
ELECTRICAL RATING

10 amps, 125V or 300 VAC;
1/2hp, 125 VAC; 1hp, 250 VAC;
0.8 amp. 125 VDC; 0.4 amp, 250 VDC;
Pilot Duty, 300 VAC max.
Same polarity between poles.

ROTARY ACTUATION



IN-LINE PLUNGER ACTUATION



Characteristics: OF - Operating Force; PT - Pretravel; OT - Over Travel; DT - Differential Travel;
RF - Release Force; OP - Operating Position; TF - Travel Force; RP - Release Position; TT - Total Travel

2170
Smithtown Avenue

RELAY AND CONTROL CORP.

Ronkonkoma
New York 11779

PRECISION OIL TIGHT LIMIT SWITCHES

RCL-300 Arm Length 2 1/8" Steel Roller .75" Dia. RCL-301	STANDARD ROLLER LEVER Spring Return 		RCL-302 Arm Length 4" Steel Roller .75" Dia. RCL-303	ADJ LENGTH ROLLER LEVER Spring Return 											
PART NO.	RCL-300	RCL-301	PART NO.	RCL-302	RCL-303										
OF MAX RF MIN PT MAX OT MIN DT MAX TF MAX TT MIN	1400g - 3 in. lbs. 227g - 1/2 lb. 15° to 20° 25° 12° 2720g - 4 in. lbs. 43°	900g - 2 in. lbs. 50g - 2 in. oz. 25° to 30° 60° 16° --- 90° + 10°	OF MAX RF MIN PT MAX OT MIN DT MAX TF MAX TT MIN	1400g - 3 in. lbs. 227g - 1/2 lb. 15° to 20° 25° 12° 2720g - 4 in. lbs. 43°	900g - 2 in. lbs. 50g - 1/2 lb. 25° to 30° 60° 16° 1820g - 4 in. lbs. 90° + 10°										
RCL-304 6.25" Rod Length RCL-305	ADJUSTABLE ROD LEVER Spring Return 		RCL-306 4.10" Spring Rod Length RCL-307	WOBBLE HEAD COIL SPRING ROD 											
PART NO.	RCL-304	RCL-305	PART NO.	RCL-306	RCL-307										
OF MAX RF MIN PT MAX OT MIN DT MAX TF MAX TT MIN	150g - 5 in. oz. 28g - 1 in. oz. 15° to 20° 30° 12° 200g - 1/2 in. lbs. 43°	245g - 5 in. oz. 25g - 1 in. oz. 25° to 30° 60° 16° 200g - 1/2 in. lbs. 90° + 10°	OF MAX RF MIN PT MAX OT MIN DT MAX COIL SPRING	150g - 5 in. oz. ----- 30° ----- 4 1/4 in.	2800g - 6 Lbs. 900g - 2 Lbs. Max. 2mm - .070 in. 5.5mm - .200 in. Max. 1.0mm - .040 in. OP:44±0.8mm.										
RCL-308 RCL-309 RCL-310	TOP PUSH ROD PLUNGER 	TOP BALL PUSH ROD PLUNGER 	FORK ROLLER LEVER 	REPLACEMENT PARTS <table border="1"> <thead> <tr> <th>PART NO.</th> <th>DESCRIPTION</th> </tr> </thead> <tbody> <tr> <td>RCL-300/1</td> <td>ROLLER ARM</td> </tr> <tr> <td>RCL-302/3</td> <td>ADJ ROLLER ARM 2 PCS</td> </tr> <tr> <td>RCL-304/5</td> <td>ADJ ROD LEVER 2 PCS</td> </tr> <tr> <td>RCL-306 ARM</td> <td>COMPLETE HEAD ASSEMBLY</td> </tr> </tbody> </table>		PART NO.	DESCRIPTION	RCL-300/1	ROLLER ARM	RCL-302/3	ADJ ROLLER ARM 2 PCS	RCL-304/5	ADJ ROD LEVER 2 PCS	RCL-306 ARM	COMPLETE HEAD ASSEMBLY
PART NO.	DESCRIPTION														
RCL-300/1	ROLLER ARM														
RCL-302/3	ADJ ROLLER ARM 2 PCS														
RCL-304/5	ADJ ROD LEVER 2 PCS														
RCL-306 ARM	COMPLETE HEAD ASSEMBLY														
PART NO.	RCL-308	RCL-309	RCL-310												
OF MAX RF MIN PT MAX OT MIN DT MAX OP IT	2800g - 6 lbs. 900g - 2 lbs. Max. 2mm - .070 in. 5.5mm - .200 in Max. 1.0mm - .040 in 34±0.8mm ----	2800g - 6 lbs. 900g - 2 lbs. Max. 2mm - .070 in. 4mm - .157 in Max. 1.0mm - .040 in 44.5±0.8mm ----	1200g - 2 in. oz. ----- 55° 35° ----- 90° + 10°												
				QUALITY DISCOUNTS AVAILABLE											

Phone No.
631-981-9204

800-327-6445

Fax No.
631-981-9203

RELAY AND CONTROL CORP

2170 Smithtown Avenue, Ronkonkoma, NY 11779



Contact Us

Phone : (631) 981-9204

Toll Free : (800) 327-6445

Fax : (631) 981-9203

Catalog : 1220

Visit us : www.relayandcontrol.com

E-mail : sales@relayandcontrol.com

