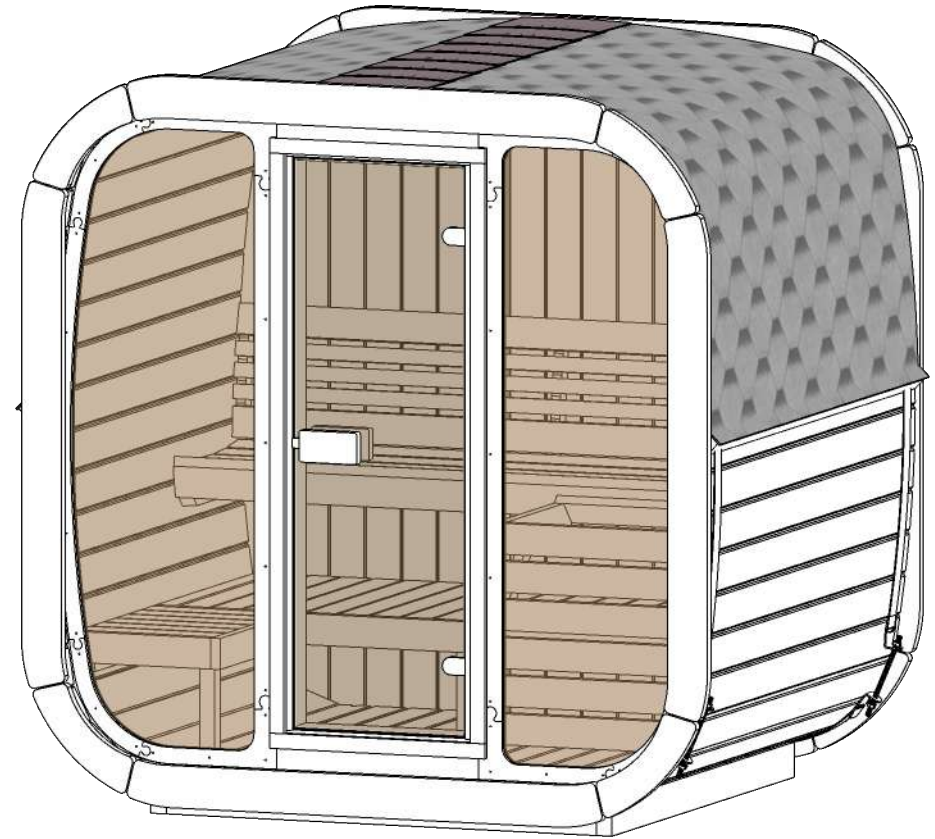
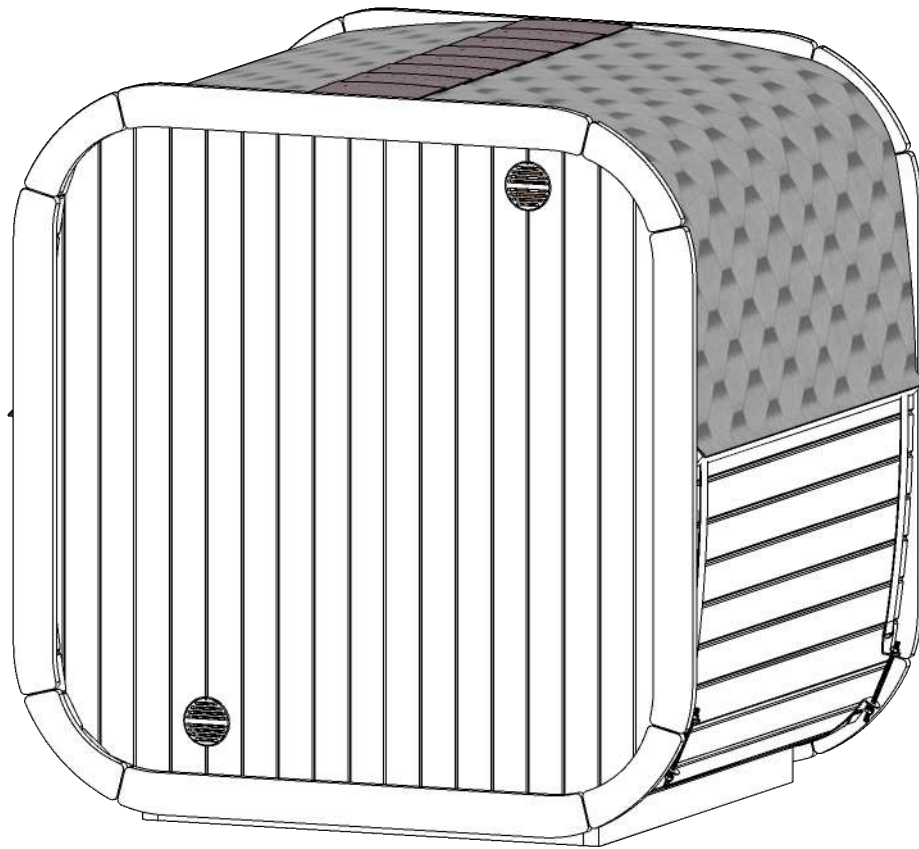


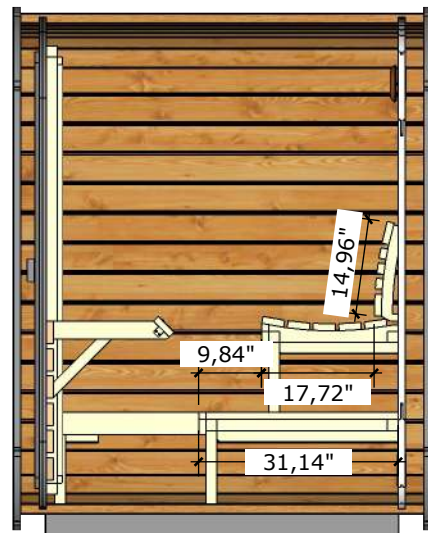
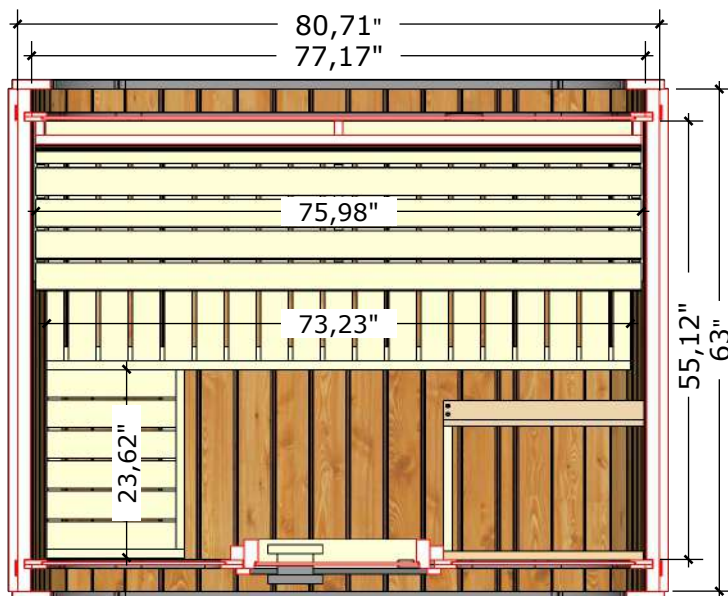
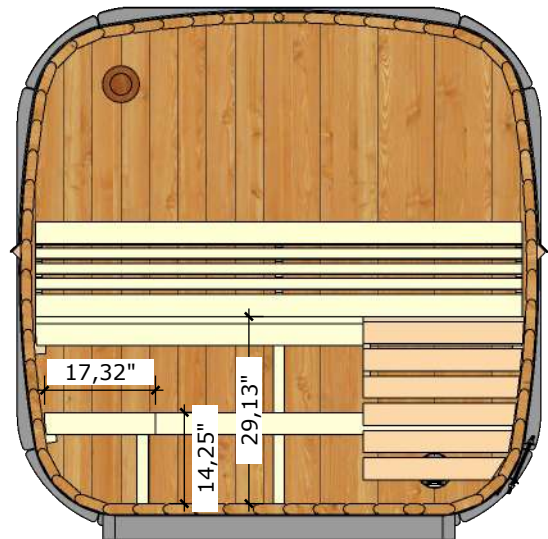
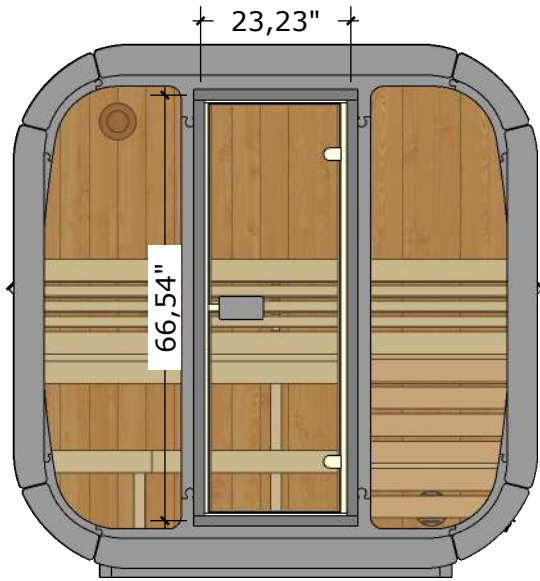


Cube-Series CL5G Outdoor  
Sauna 63D" x 81W" x 83H"

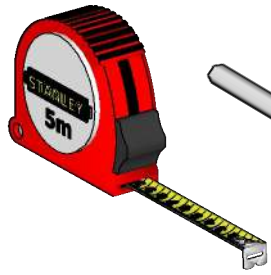


Note: Please read manual before construction

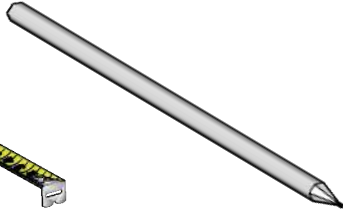
Rev: 1.0\_6/2024



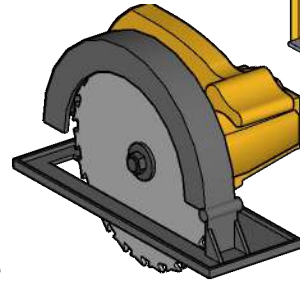
# Tools needed



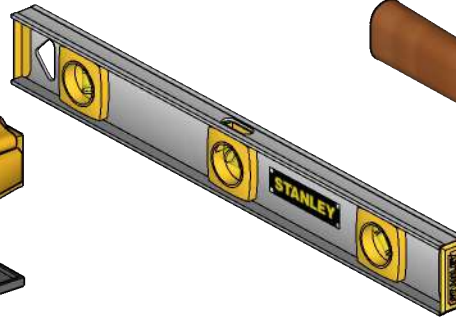
Measuring tape



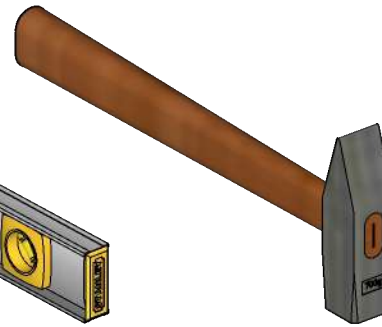
Marker pen



Circular saw



Water level



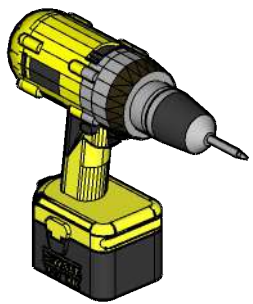
Hammer



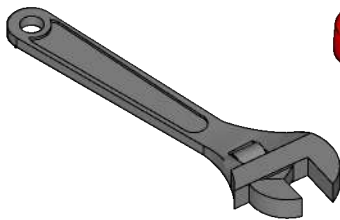
Extra hands



Screwdriver



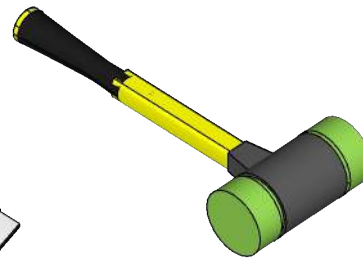
Drill



Crescent wrench



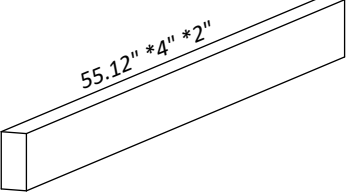
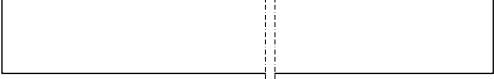
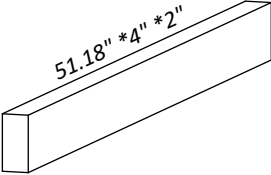

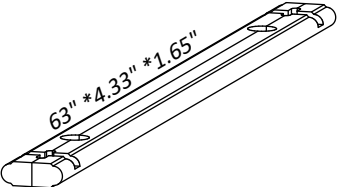
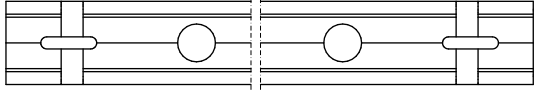
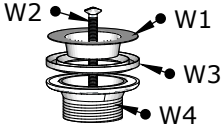
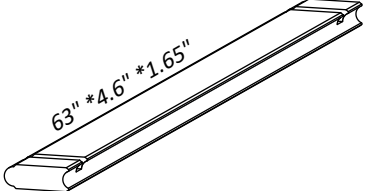
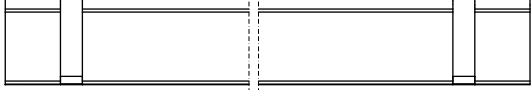
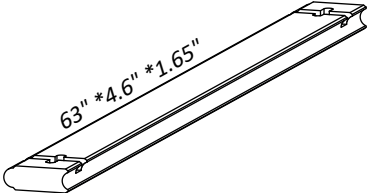

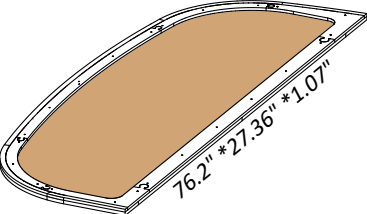
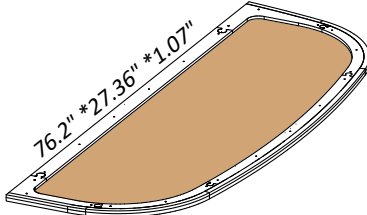
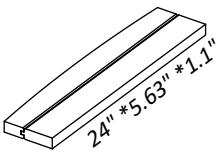

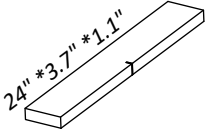
Utility knife

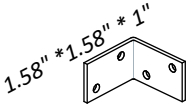
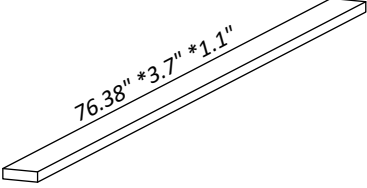
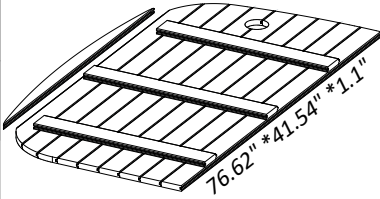
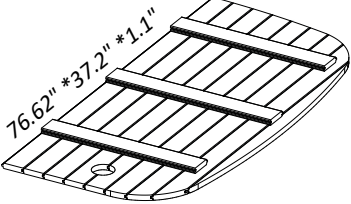
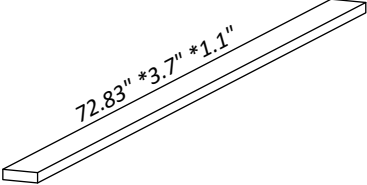
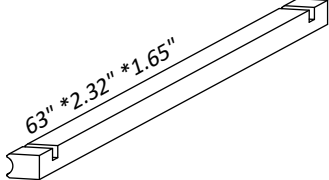
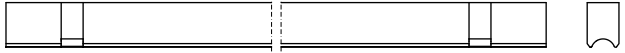
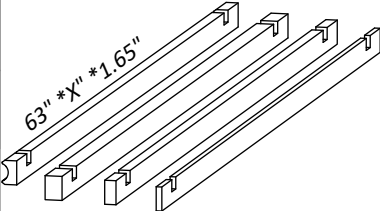
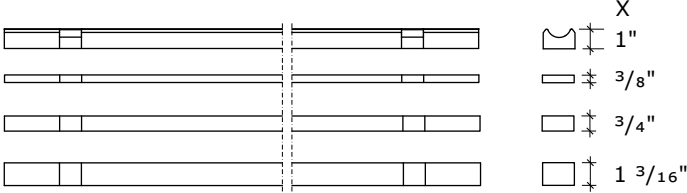
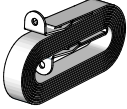
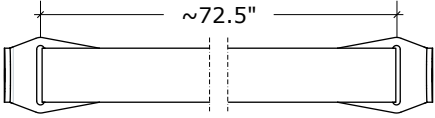
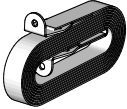
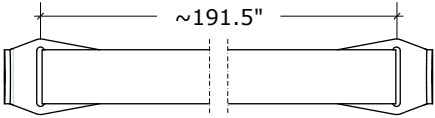




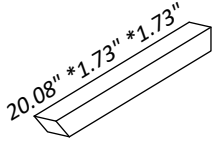
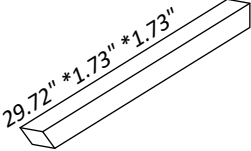
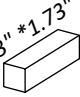
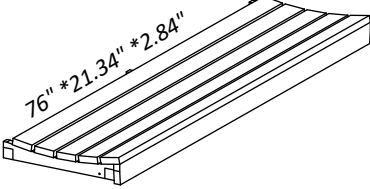
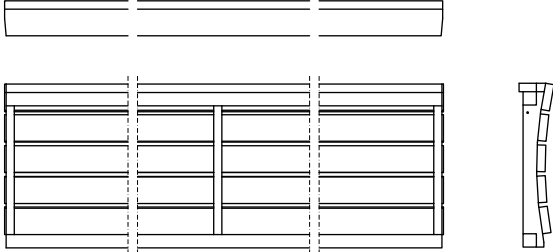
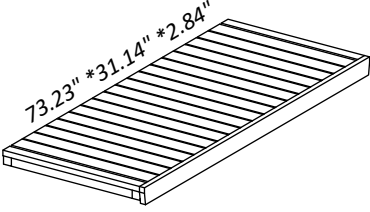
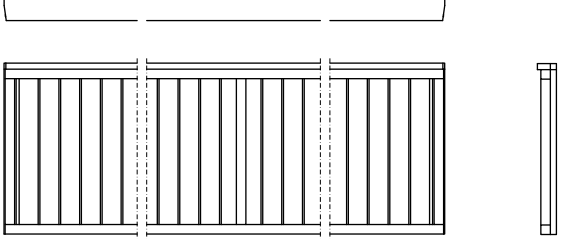
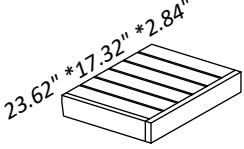
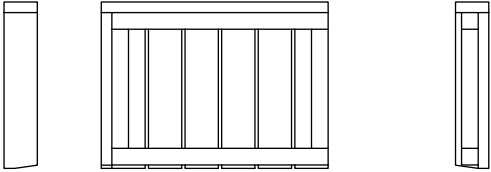
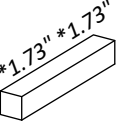
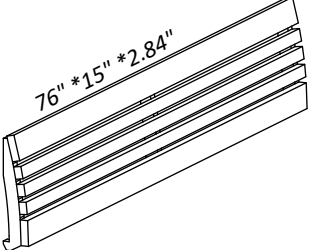
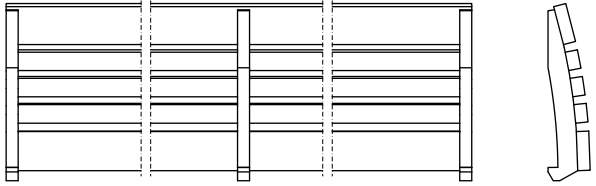
Rubber mallet

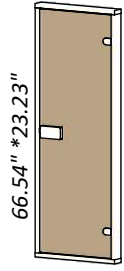
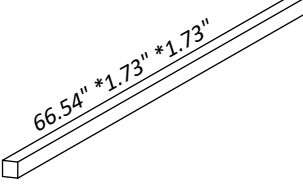
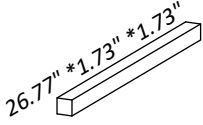
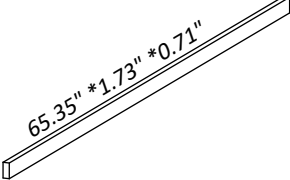
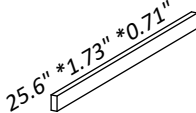
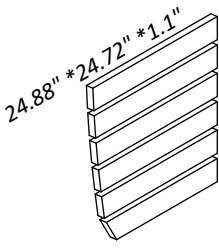
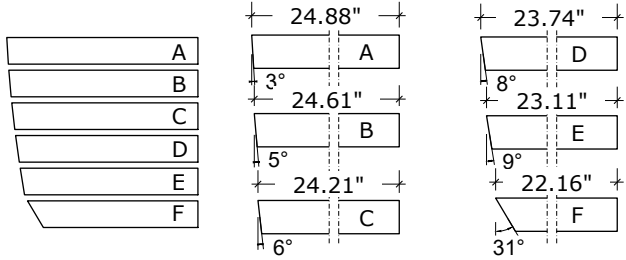
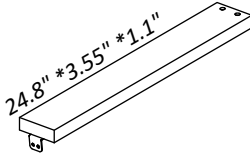

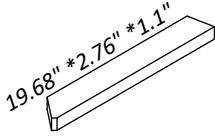

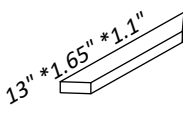
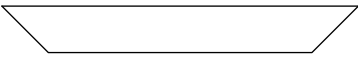



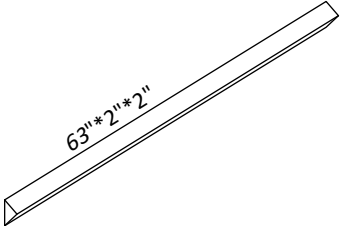
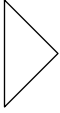
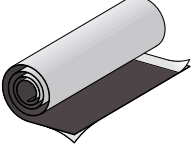
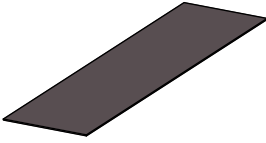
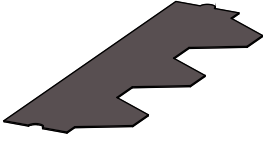
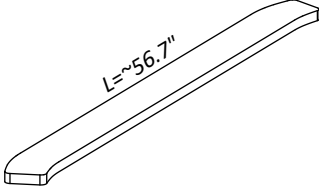
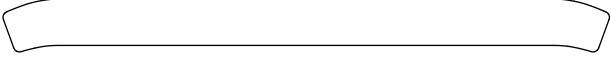
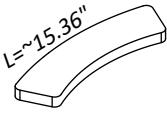

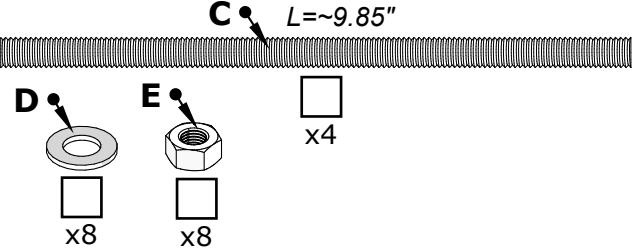
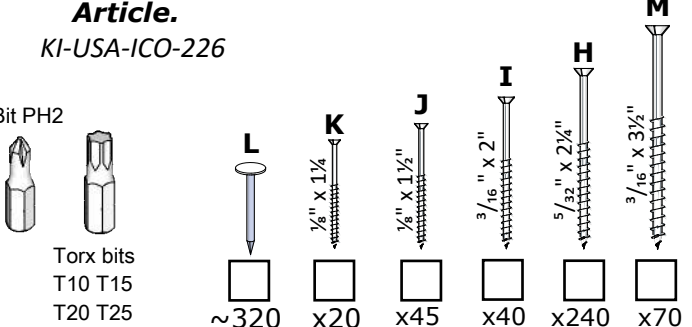
Ratchet strap

<p><b>DET 1</b></p> <p><b>Article.</b> K-SM100/1400</p>	<p><b>x2</b></p>		
<p><b>DET 2</b></p> <p><b>Article.</b> K-SM100/1300</p>	<p><b>x4</b></p>		
<p><b>DET 3</b></p> <p><b>Article.</b> T-STL117/1600XLM01</p>	<p><b>x1</b></p>		
<p><b>DET W</b></p> <p><b>Article.</b> MU-TRAPP</p>	<p><b>x2</b> kmp1</p>		
<p><b>DET 3</b></p> <p><b>Article.</b> T-STL117/1600-01</p>	<p><b>x64</b></p>		
<p><b>DET 3/H</b></p> <p><b>Article.</b> T-STL117/1600-01X</p>	<p><b>x2</b></p>		
<p><b>DET Sb</b></p> <p><b>Article.</b> IC-TE-20-PR-12/15V</p>	<p><b>x1</b></p>		
<p><b>DET Sa</b></p> <p><b>Article.</b> IC-TE-20-PR-12/15P</p>	<p><b>x1</b></p>		
<p><b>DET Ta</b></p> <p><b>Article.</b> T-SL117/610UK1</p>	<p><b>x1</b></p>		
<p><b>DET Tb</b></p> <p><b>Article.</b> T-TL94/610J</p>	<p><b>x1</b></p>		

<p><b>DET V</b></p> <p><b>Article.</b> KI-VIN-25/40/40-ZN</p>	<p><b>x4</b></p>		
<p><b>DET U1</b></p> <p><b>Article.</b> K-TL94/1940</p>	<p><b>x1</b></p>		
<p><b>DET Y1</b></p> <p><b>Article.</b> T-IC-PTS-20/28-V</p>	<p><b>x1</b></p>		
<p><b>DET Y2</b></p> <p><b>Article.</b> T-IC-PTS-20/28-P</p>	<p><b>x1</b></p>		
<p><b>DET U2</b></p> <p><b>Article.</b> K-TL94/1850</p>	<p><b>x1</b></p>		
<p><b>DET 6</b></p> <p><b>Article.</b> T-STL117/1600XL-01</p>	<p><b>x2</b></p>		
<p><b>DET 6c/d/e/f</b></p> <p><b>Article.</b> T-STL117/1600KO-01</p>	<p><b>x1</b></p>		
<p><b>DET A1</b></p> <p><b>Article.</b> MU-VIT1840-KLZN</p>	<p><b>x2</b></p>		
<p><b>DET A2</b></p> <p><b>Article.</b> MU-VIT4860-KLZN</p>	<p><b>x2</b></p>		
<p><b>DET G</b></p> <p><b>Article.</b> MU-VENT-100-PU</p>	<p><b>x1</b></p>		

<p><b>DET F</b></p> <p><b>Article.</b> MU-VENT-100-ZN</p>	<p><b>x3</b></p>		
<p><b>DET 10a</b></p> <p><b>Article.</b> K-HP44/510XP</p>	<p><b>x2</b></p>		
<p><b>DET 11a</b></p> <p><b>Article.</b> K-HP44/755XP</p>	<p><b>x2</b></p>		
<p><b>DET 10c</b></p> <p><b>Article.</b> K-HP44/170</p>	<p><b>x1</b></p>		
<p><b>DET 10</b></p> <p><b>Article.</b> TL-LAMOD-1930-KA01</p>	<p><b>x1</b></p>		
<p><b>DET 11</b></p> <p><b>Article.</b> TL-LAMOD-1860-01</p>	<p><b>x1</b></p>		
<p><b>DET 12</b></p> <p><b>Article.</b> TL-LAMOD-600-01</p>	<p><b>x1</b></p>		
<p><b>DET 10b</b></p> <p><b>Article.</b> K-HP44/290</p>	<p><b>x3</b></p>		
<p><b>DET 14</b></p> <p><b>Article.</b> TL-STMOD-1930-KA01</p>	<p><b>x1</b></p>		

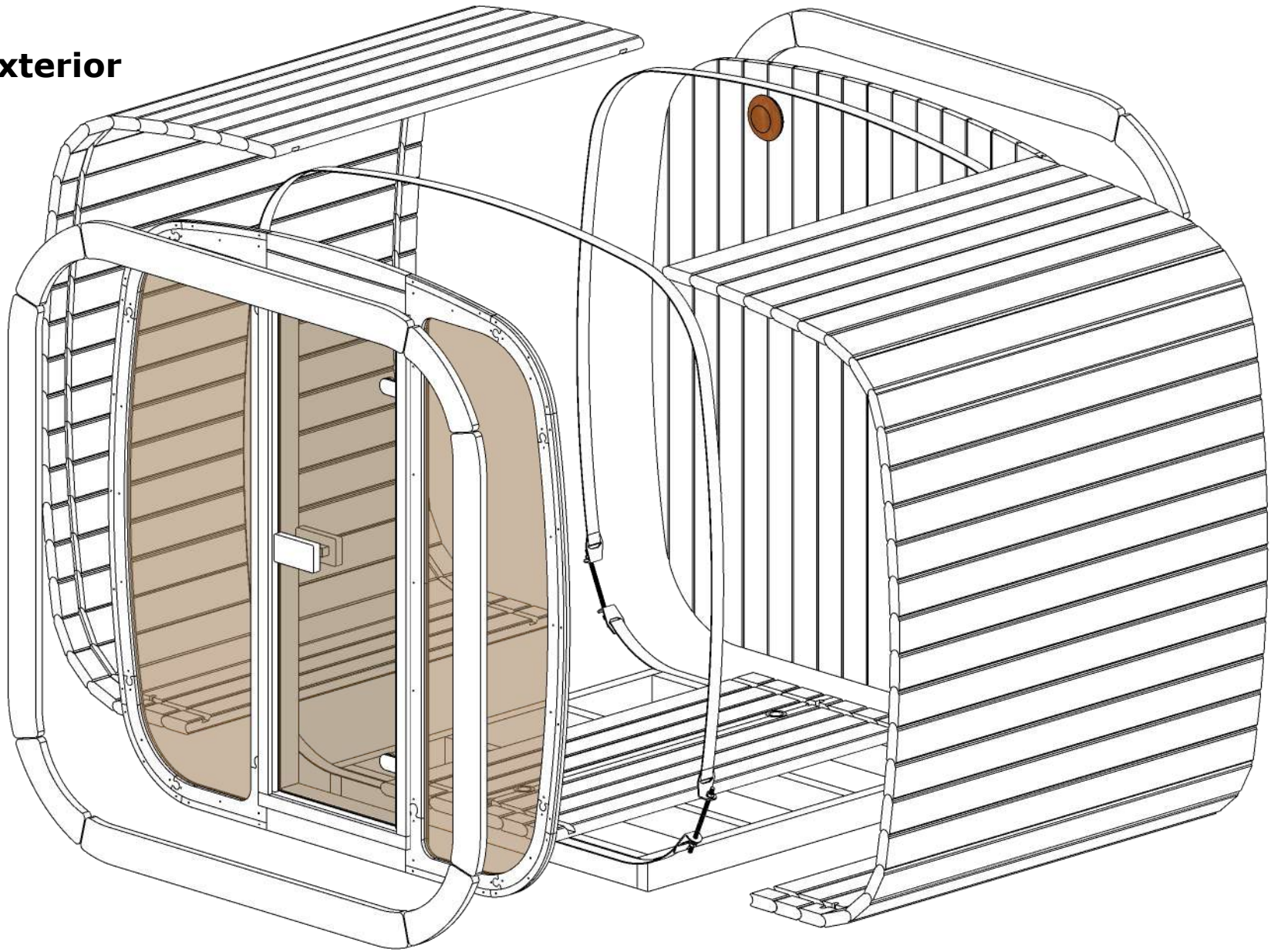
<p><b>DET 21</b></p> <p><b>Article.</b> U-KL-6/17-PR</p>	<p><b>x1</b></p>		
<p><b>DET 21c</b></p> <p><b>Article.</b> K-HP44/1690</p>	<p><b>x2</b></p>		
<p><b>DET 21d</b></p> <p><b>Article.</b> K-HP44/680</p>	<p><b>x2</b></p>		
<p><b>DET 21a</b></p> <p><b>Article.</b> K-HL44/1660</p>	<p><b>x2</b></p>		
<p><b>DET 21b</b></p> <p><b>Article.</b> K-HL44/650</p>	<p><b>x2</b></p>		
<p><b>DET 16</b></p> <p><b>Article.</b> TL-PIMOD-632-01</p>	<p><b>x1</b></p>		
<p><b>DET 15a</b></p> <p><b>Article.</b> TL-LAV90/630X</p>	<p><b>x1</b></p>		
<p><b>DET 15b</b></p> <p><b>Article.</b> TL-LAV90/500XP-XL</p>	<p><b>x1</b></p>		
<p><b>DET 15d</b></p> <p><b>Article.</b> TL-LAV42/330XP-XP</p>	<p><b>x1</b></p>		
<p><b>DET 15c</b></p> <p><b>Article.</b> KI-LEK15</p>	<p><b>x2</b></p>		

<p><b>DET 22</b></p> <p><b>Article.</b> T-STL-1600-XX</p>	<p><b>x2</b></p>		
<p><b>Underlay felt</b></p> <p><b>Article.</b> KAT-AL</p>	<p><b>26'</b></p>		
<p><b>DET N</b></p> <p><b>Article.</b> KAT-HAR-MUST</p>	<p><b>x7</b></p>		
<p><b>DET O</b></p> <p><b>Article.</b> KAT-SIN-MUST</p>	<p><b>x52</b></p>		
<p><b>DET 25a</b></p> <p><b>Article.</b> MU-OL-IC-20-1</p>	<p><b>x8</b></p>		
<p><b>DET 25b</b></p> <p><b>Article.</b> MU-OL-IC-20-2</p>	<p><b>x8</b></p>		
<p><b>Article.</b> KI-KERL-12-RV4</p>  <p><b>D</b> x8</p> <p><b>E</b> x8</p> <p><b>C</b> x4</p>		<p><b>Article.</b> KI-USA-ICO-226</p>  <p>Bit PH2</p> <p>Torx bits T10 T15 T20 T25</p> <p><b>L</b> ~320</p> <p><b>K</b> 1/8" x 1 1/2" x20</p> <p><b>J</b> 1/8" x 1 1/2" x45</p> <p><b>I</b> 3/16" x 2" x40</p> <p><b>H</b> 5/32" x 2 1/4" x240</p> <p><b>M</b> 3/16" x 3 1/2" x70</p>	

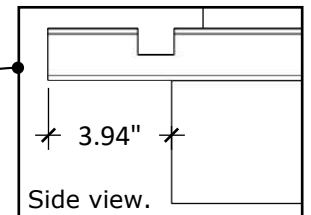
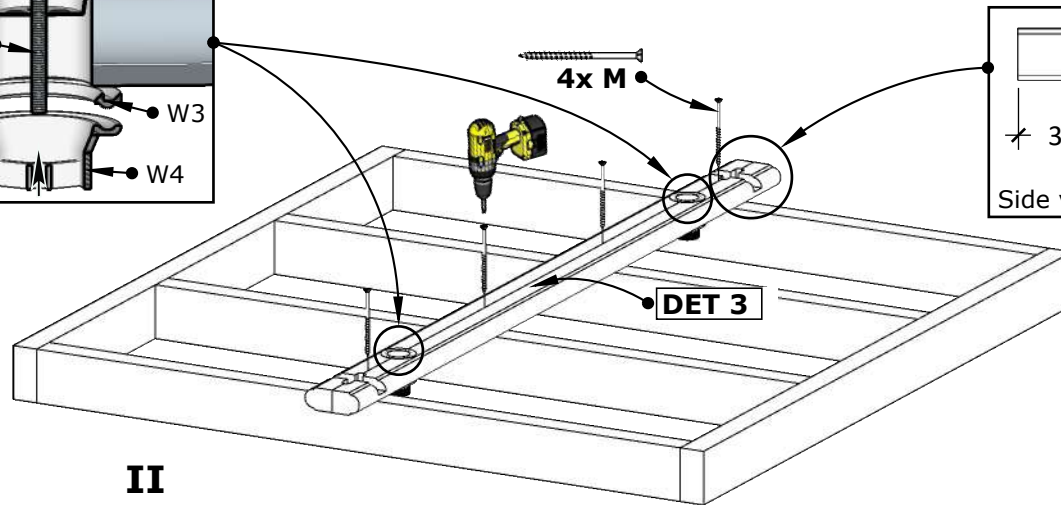
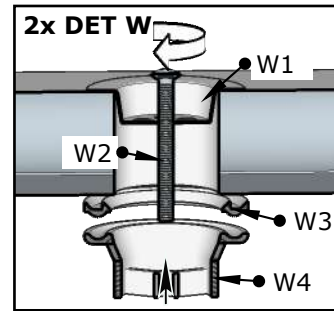
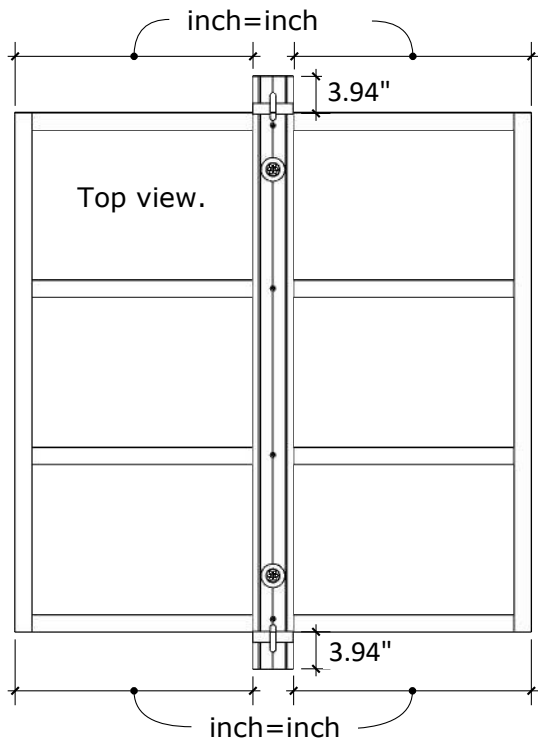
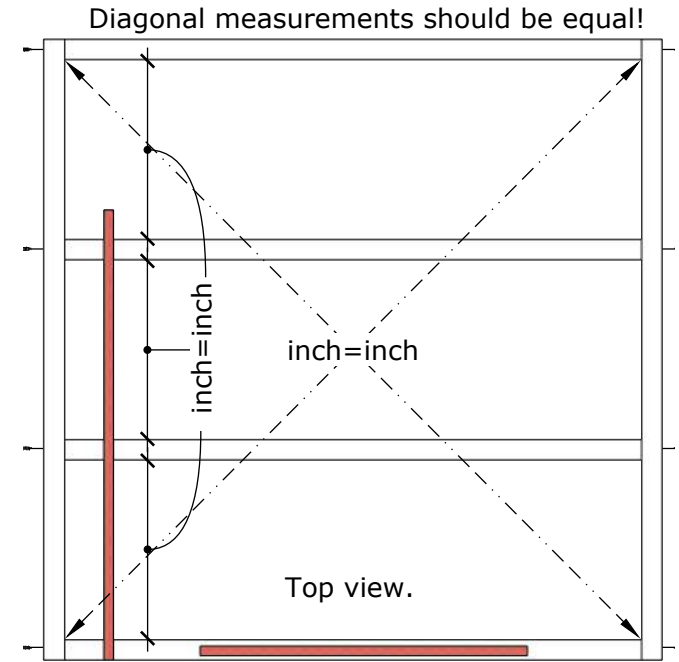
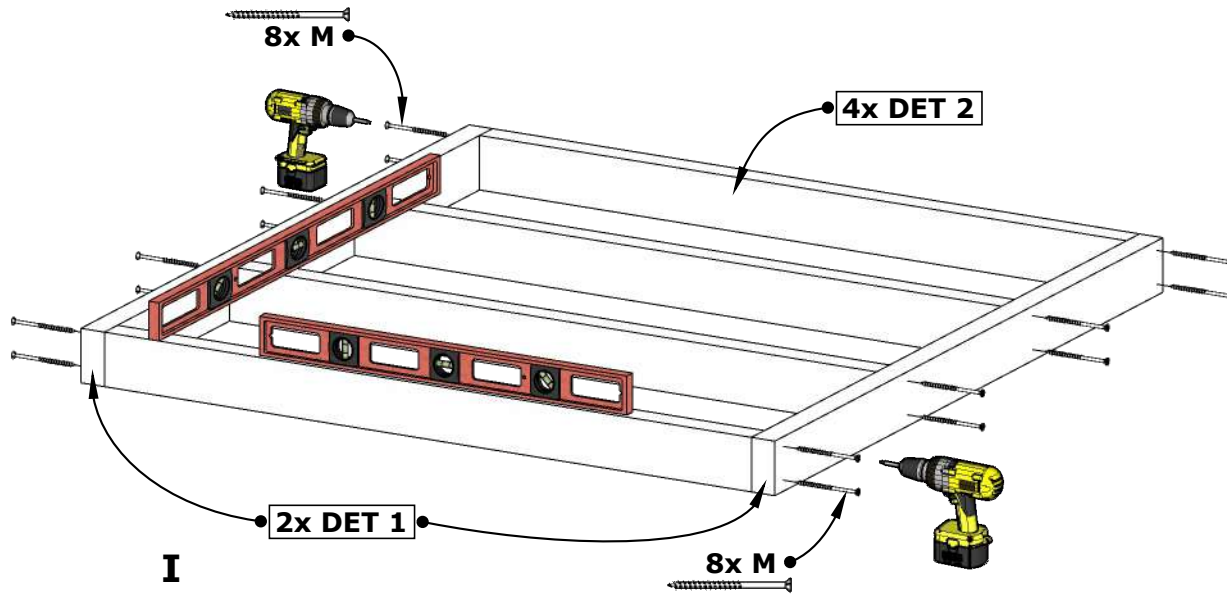


**CL5G Outdoor Sauna 63D" x 81W" x 83H"**

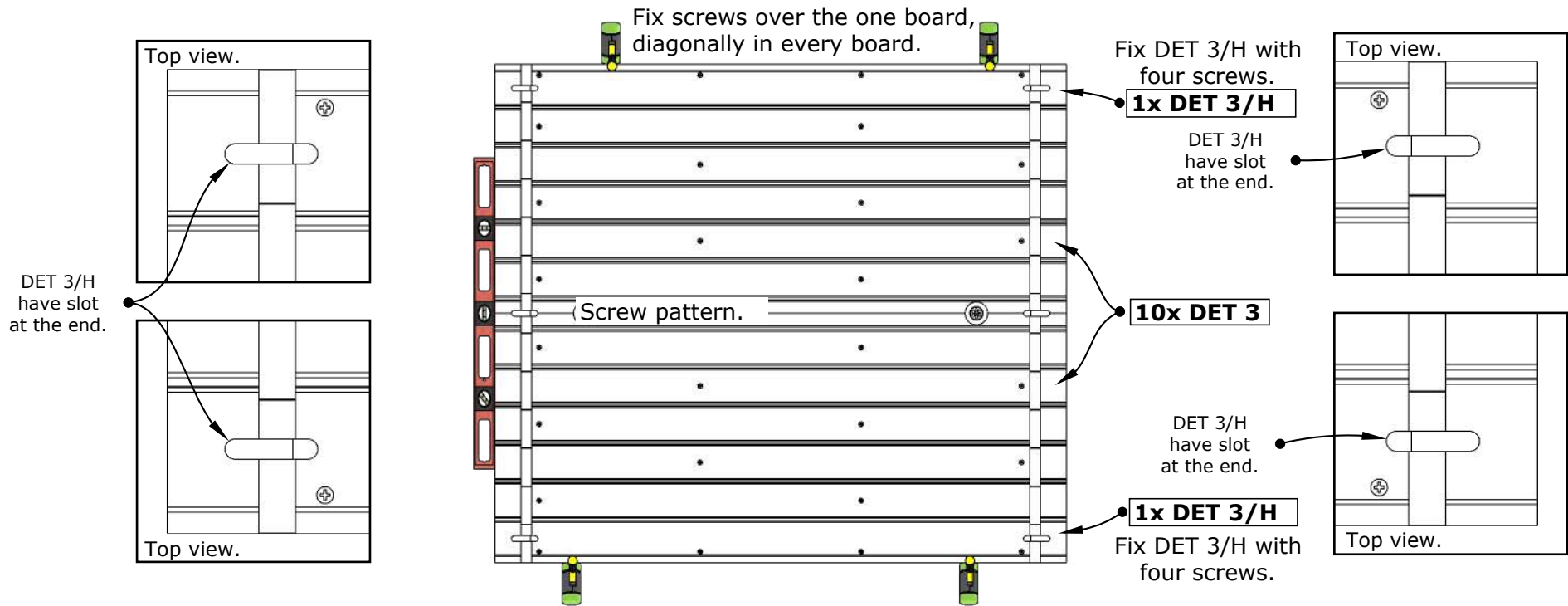
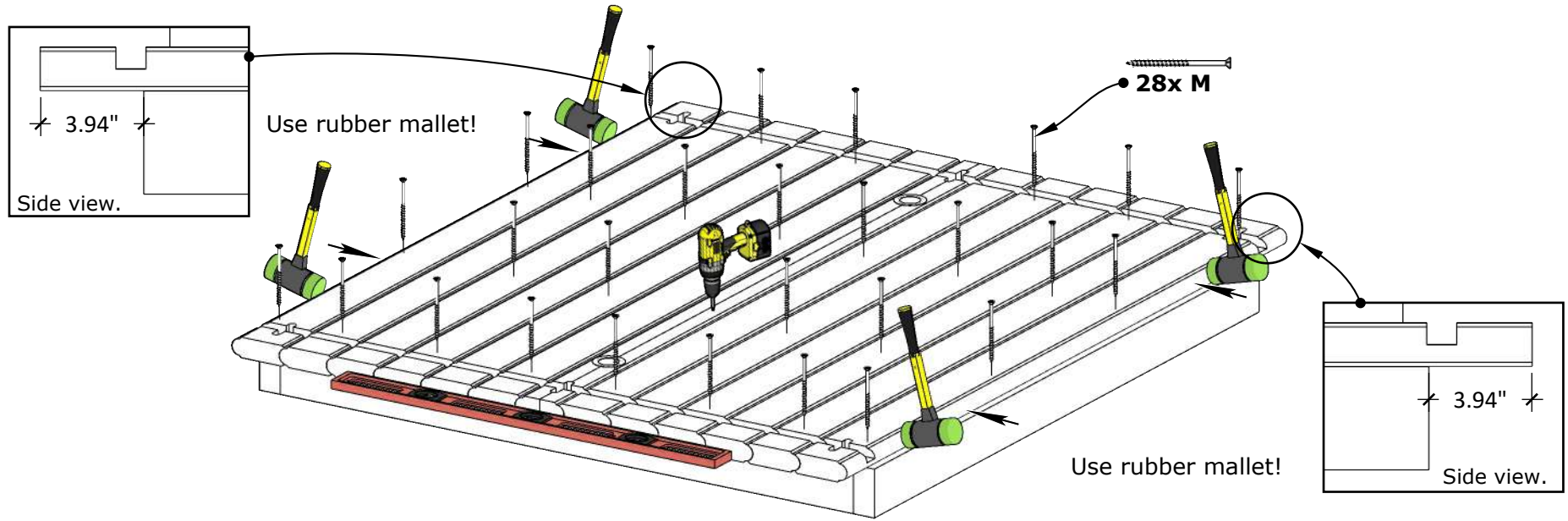
**Exterior**



# CL5G Outdoor Sauna 63D" x 81W" x 83H"

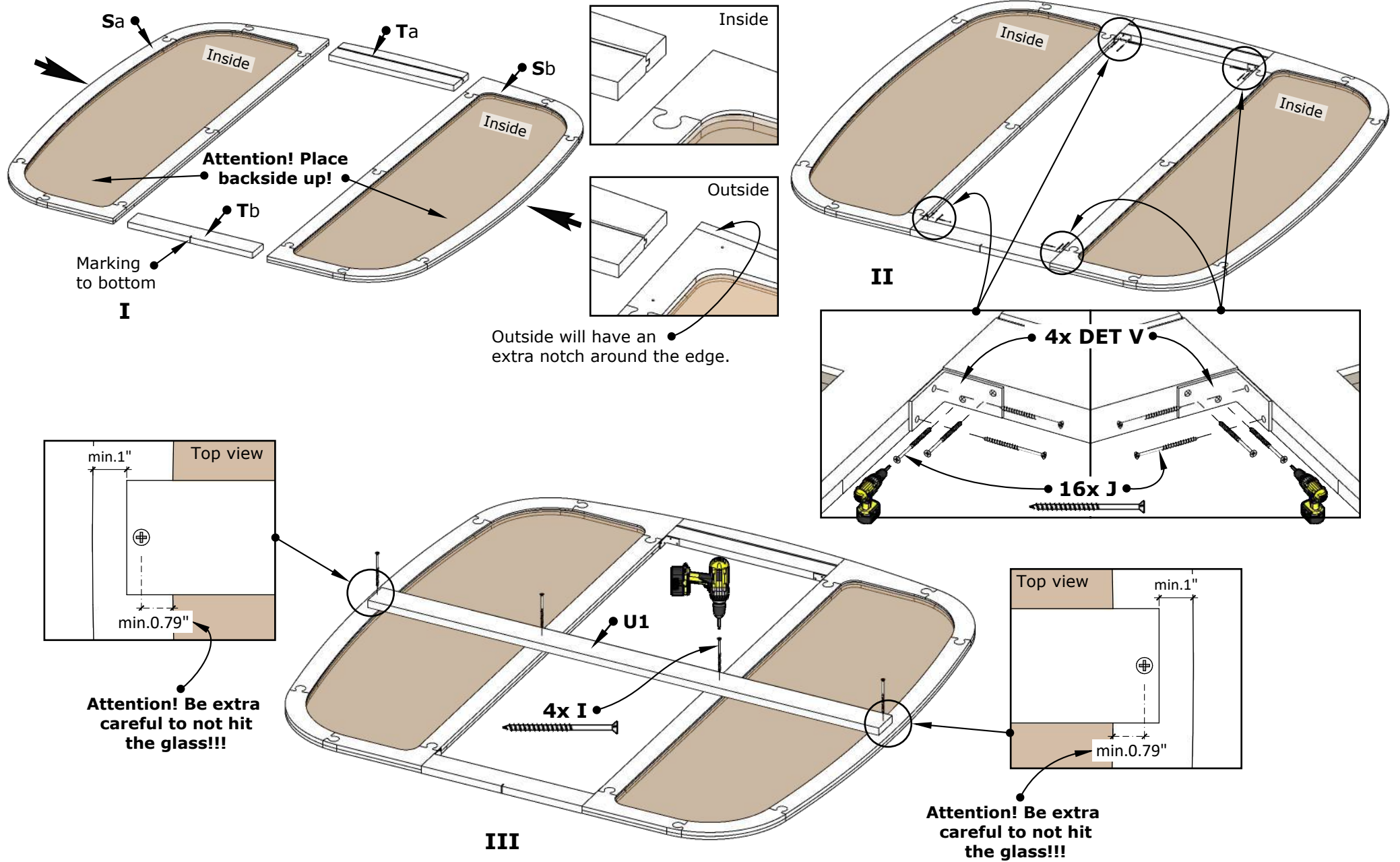


# CL5G Outdoor Sauna 63D" x 81W" x 83H"



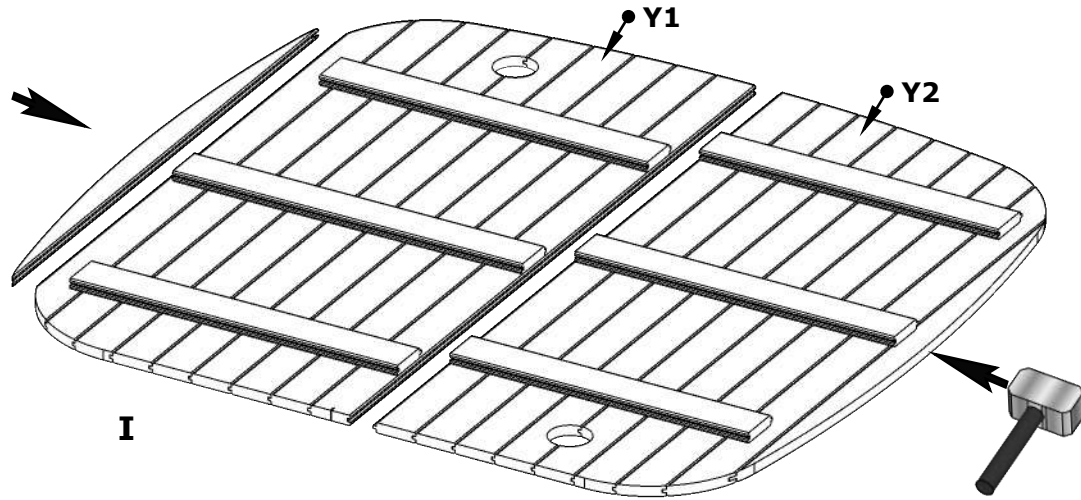
# CL5G Outdoor Sauna 63D" x 81W" x 83H"

## Front glass-wall assembly

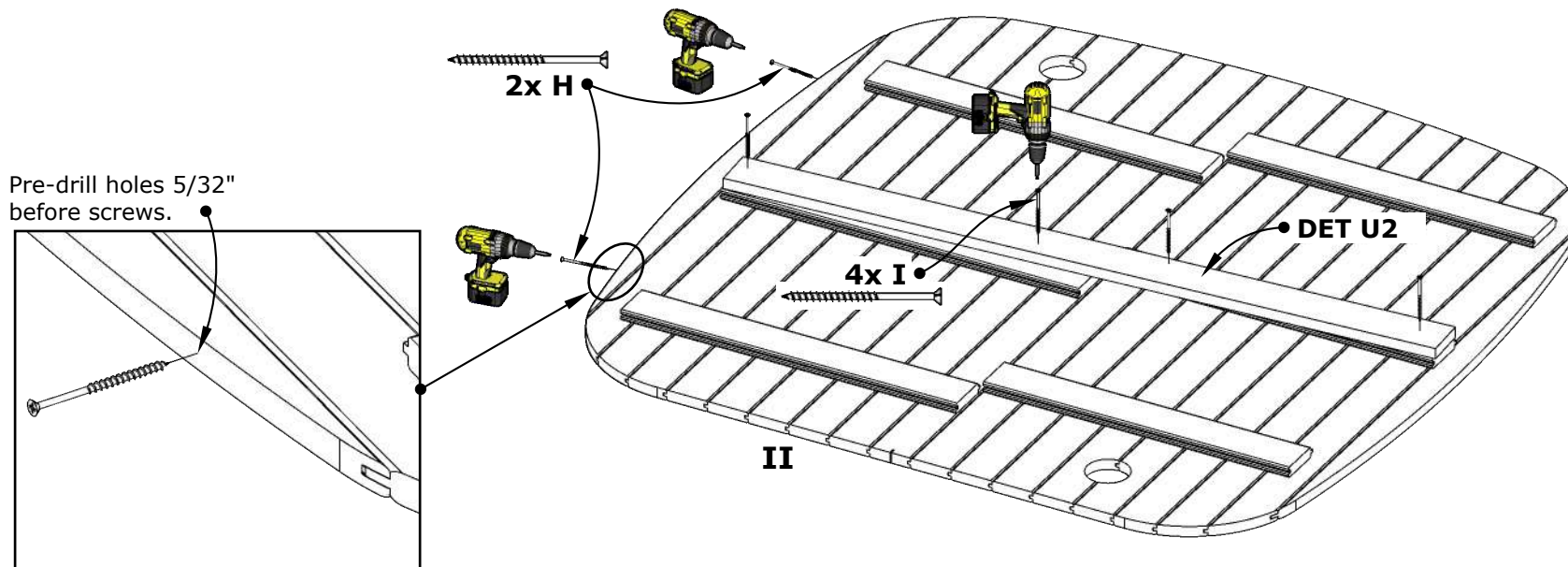


# CL5G Outdoor Sauna 63D" x 81W" x 83H"

## Wooden back wall assembly



I



Pre-drill holes 5/32"  
before screws.

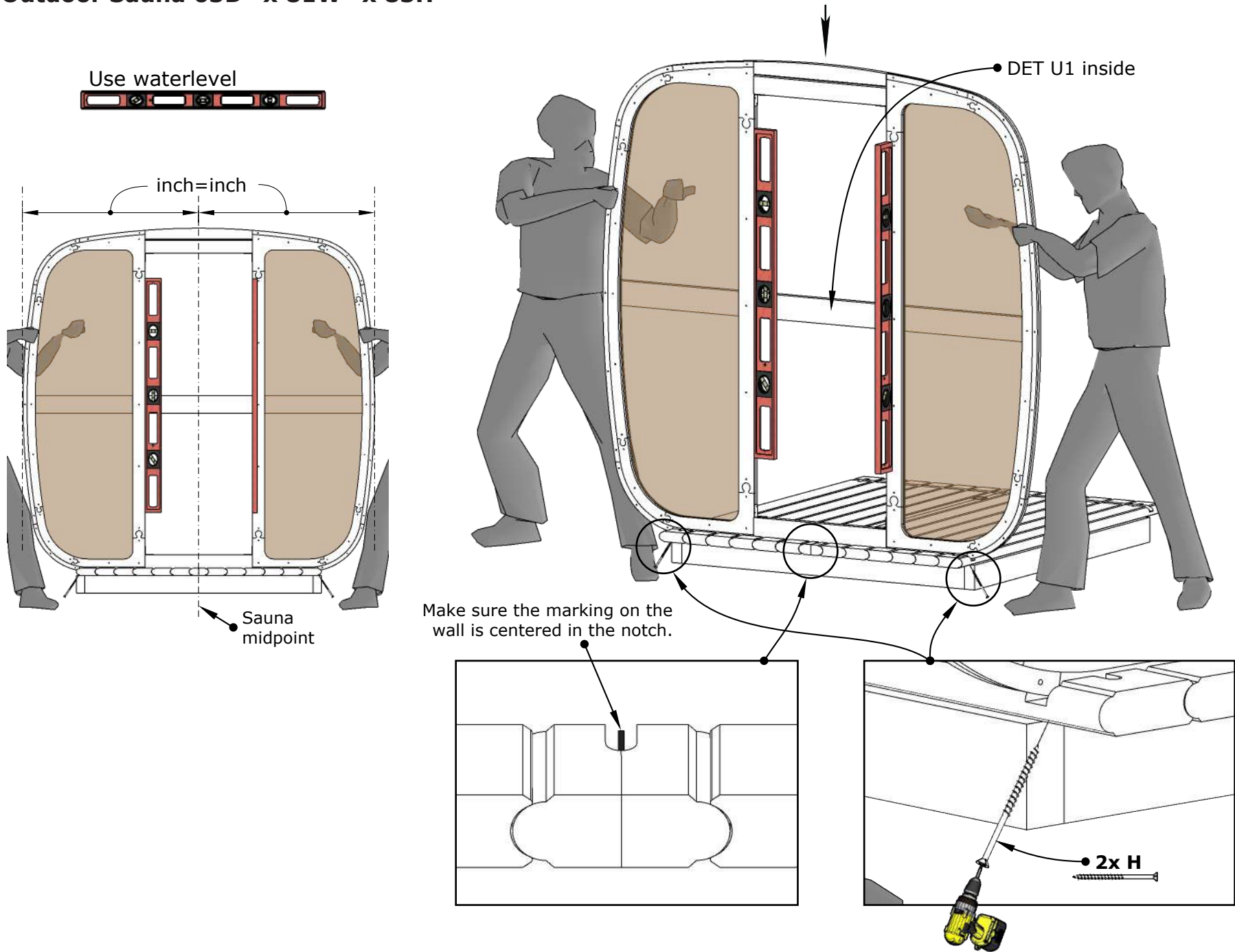
2x H

4x I

DET U2

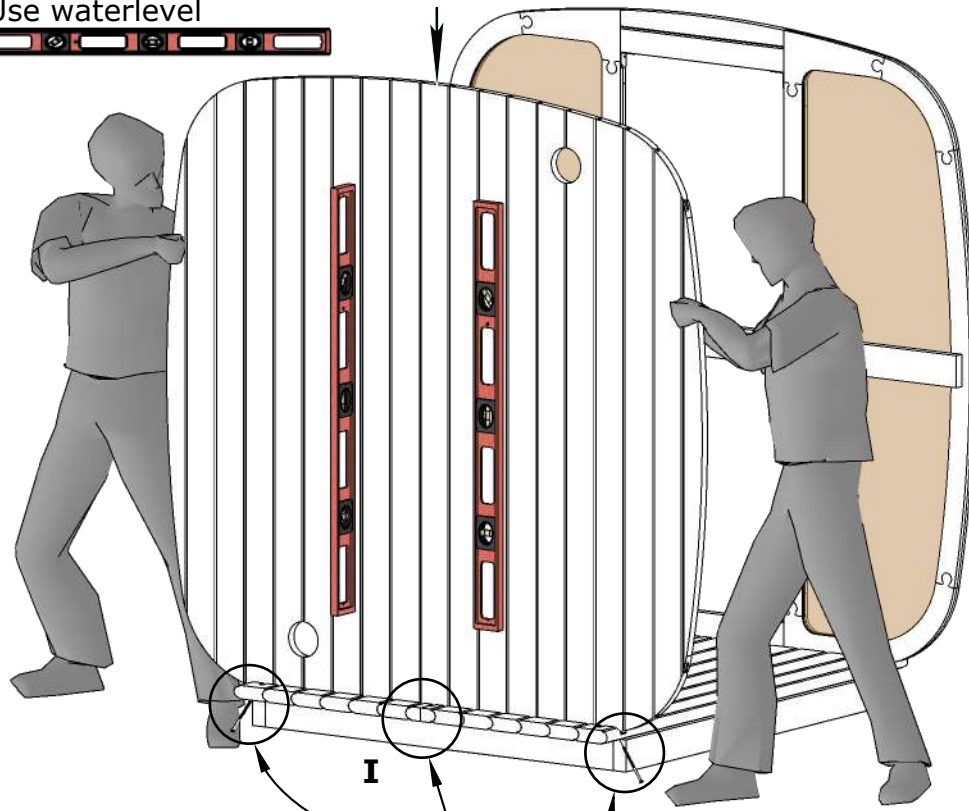
II

# CL5G Outdoor Sauna 63D" x 81W" x 83H"

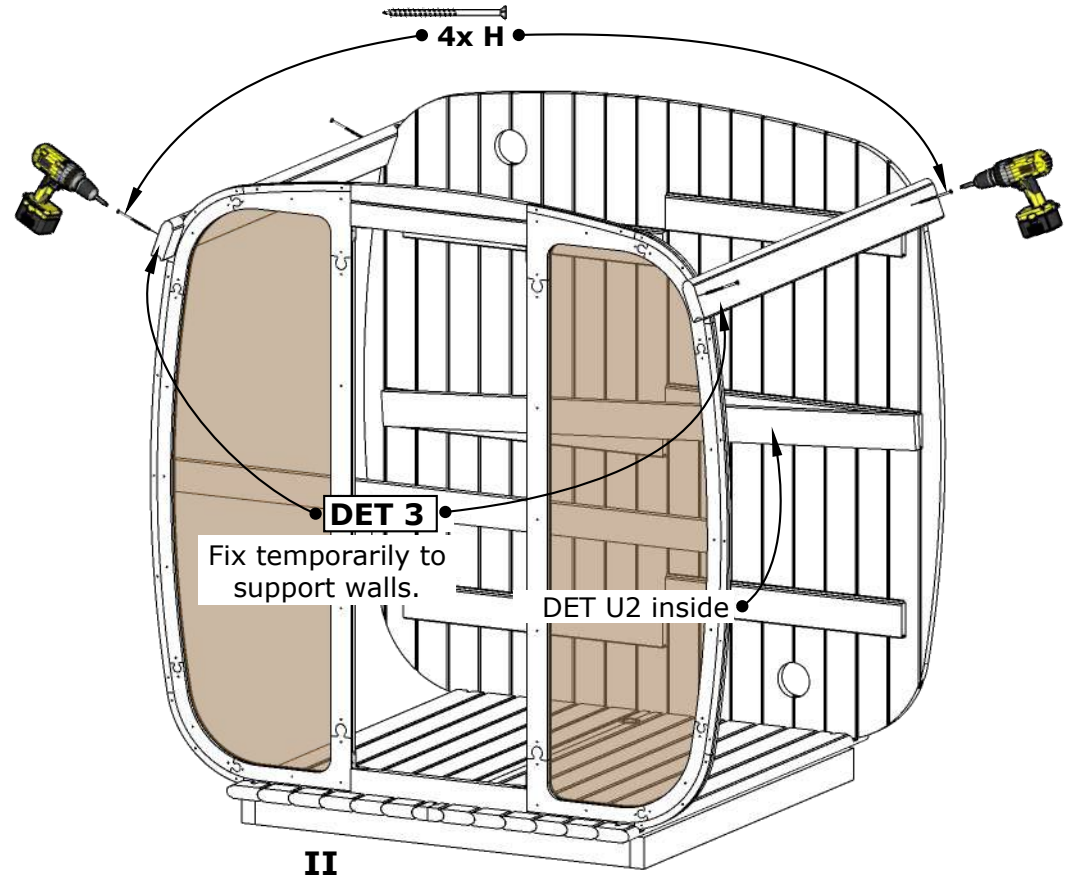
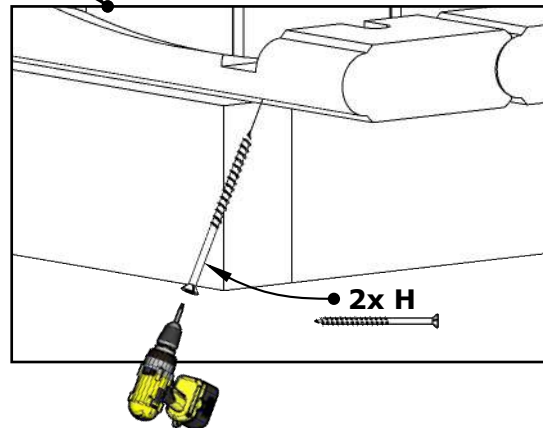
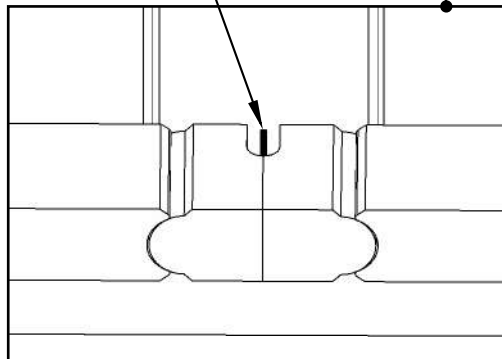


# CL5G Outdoor Sauna 63D" x 81W" x 83H"

Use waterlevel



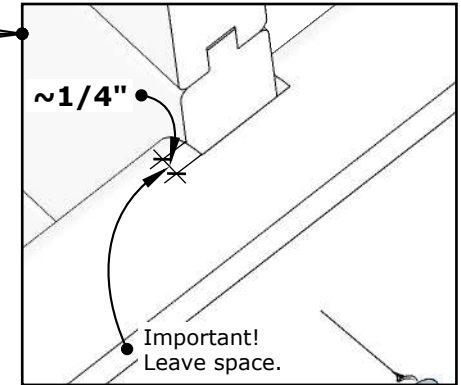
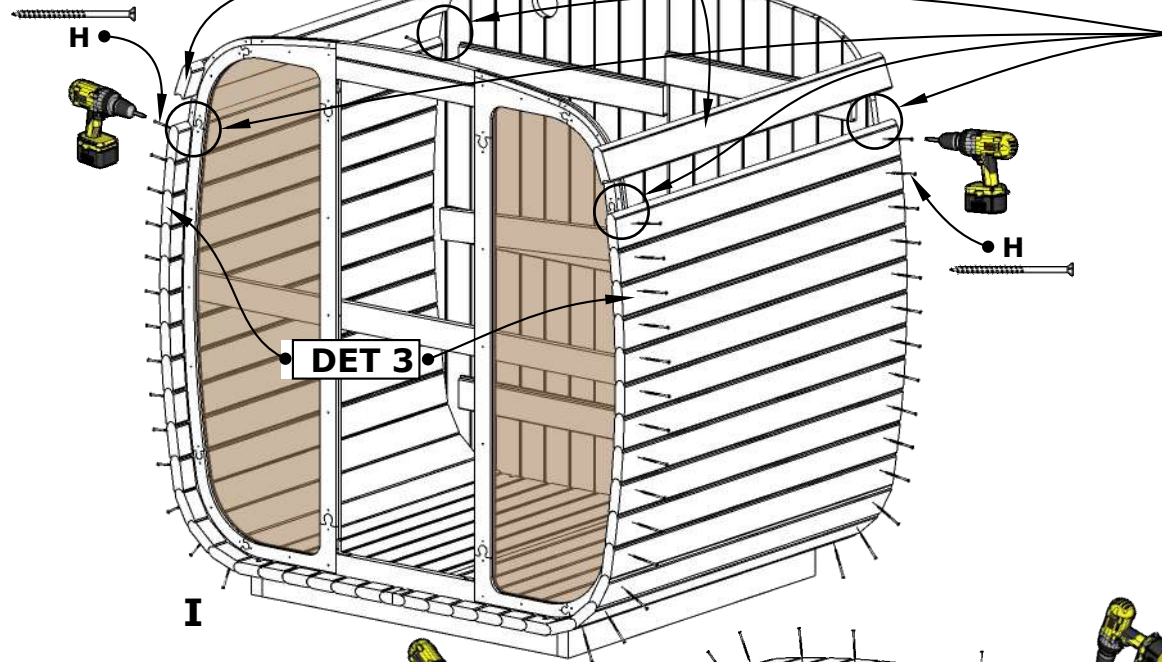
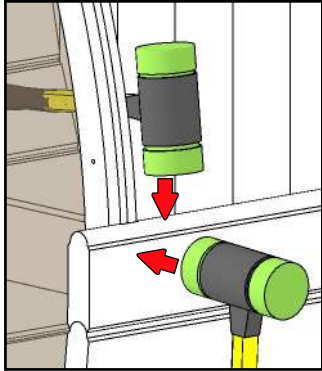
Make sure the marking on the wall is centered in the notch.



# CL5G Outdoor Sauna 63D" x 81W" x 83H"

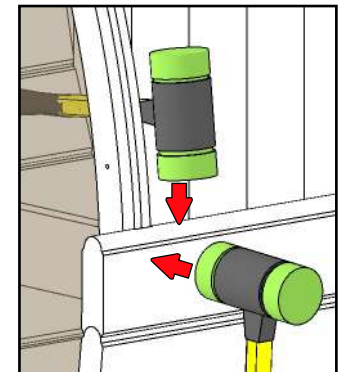
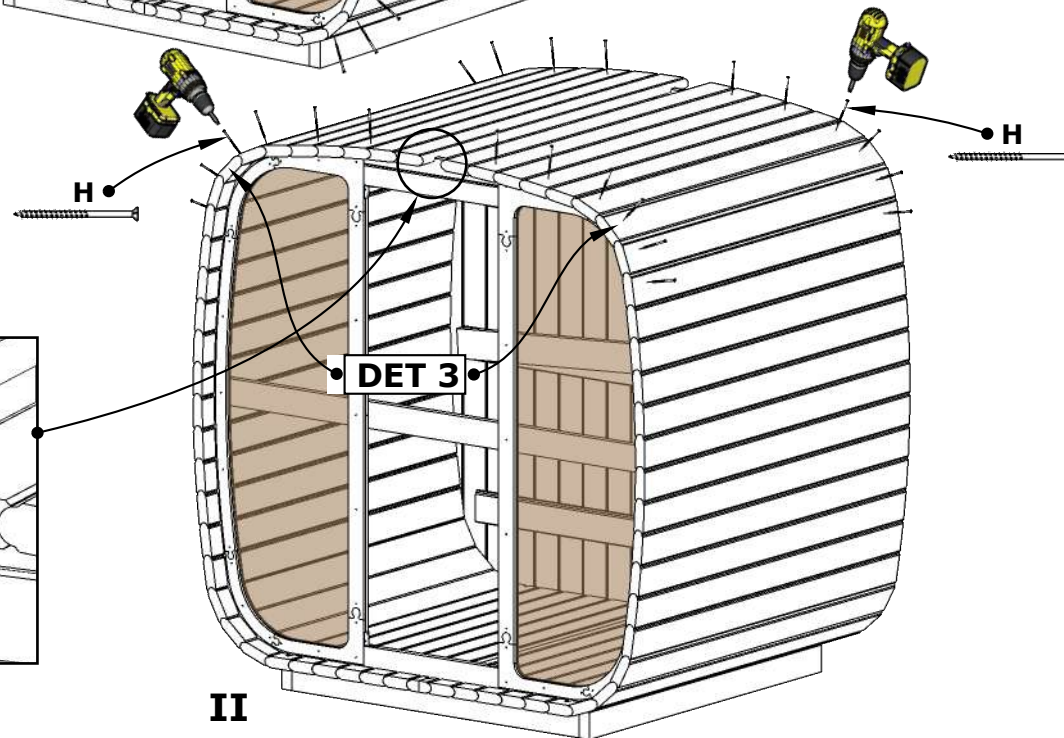
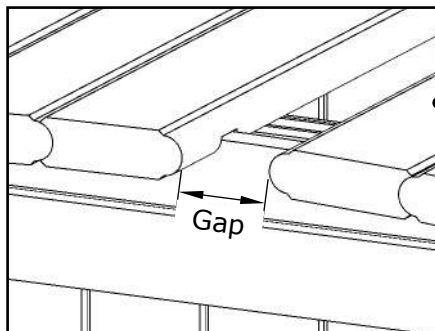
Remove DET 3 from their temporary positions and use during the next step.

Use rubber mallet!



IMPORTANT! Be sure to leave a 1/4" gap when tightening screws to leave room for adjustment when the outer bands (A2) are installed.

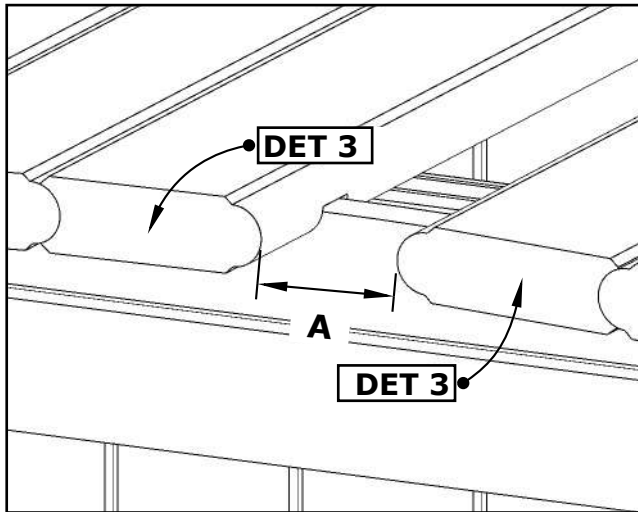
See the next page.



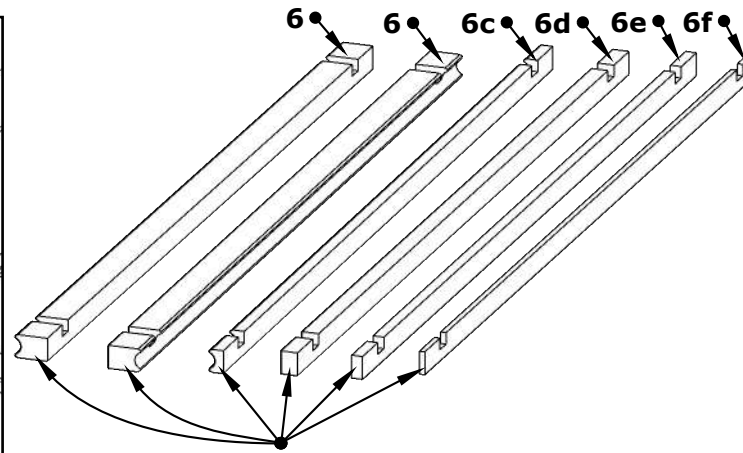
Use rubber mallet!



CL5G Outdoor Sauna 63D" x 81W" x 83H"

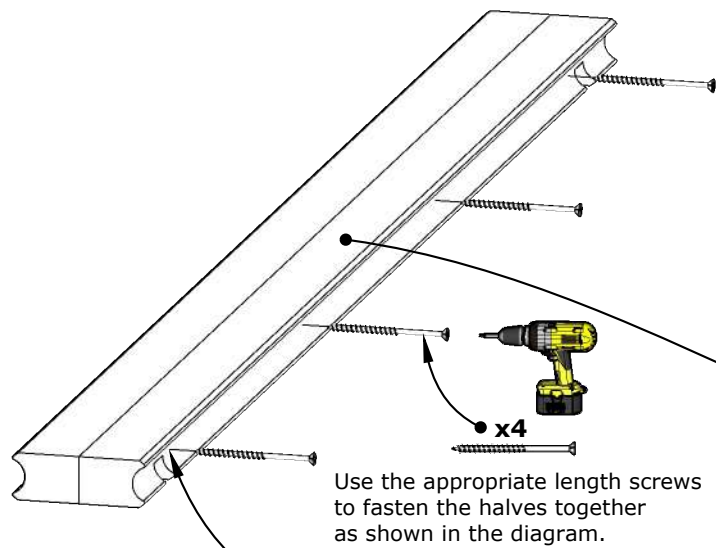
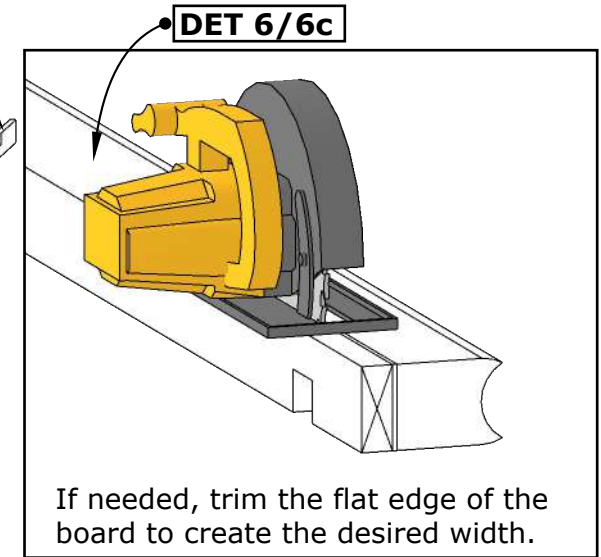


**I**

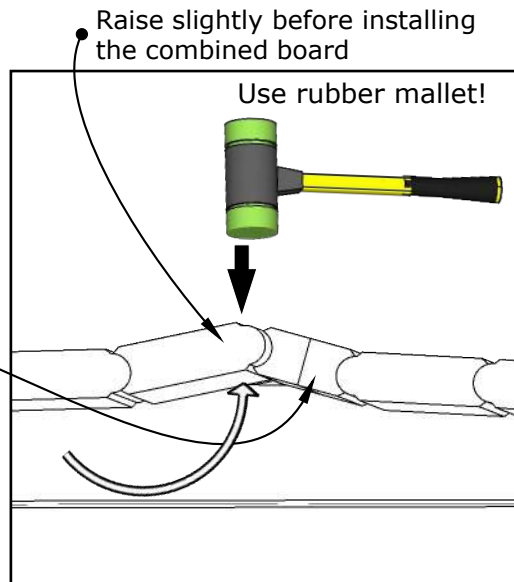


Join boards together (as shown in diagram III) that will bridge the width of the "A" gap. It is recommended that the combined boards are approximately 1/4" wider than the gap.

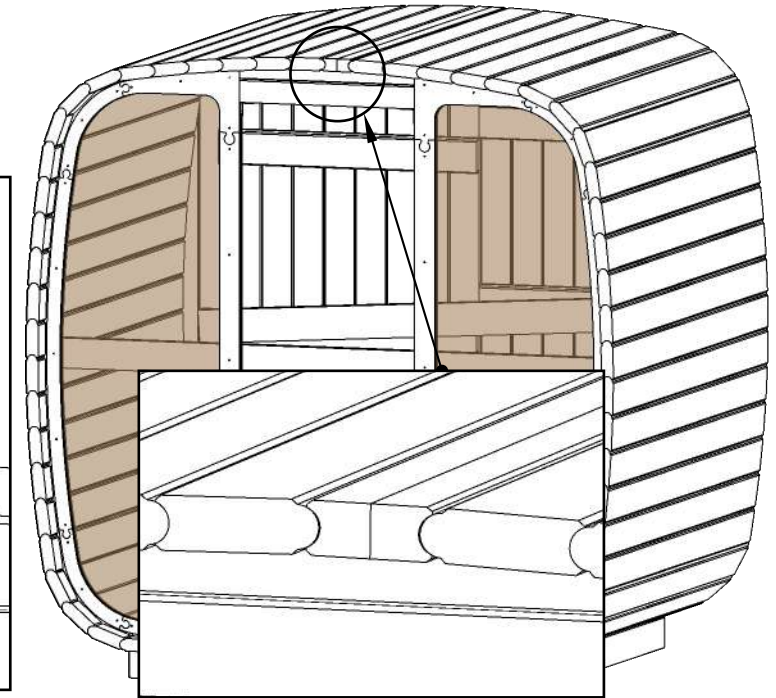
**II**



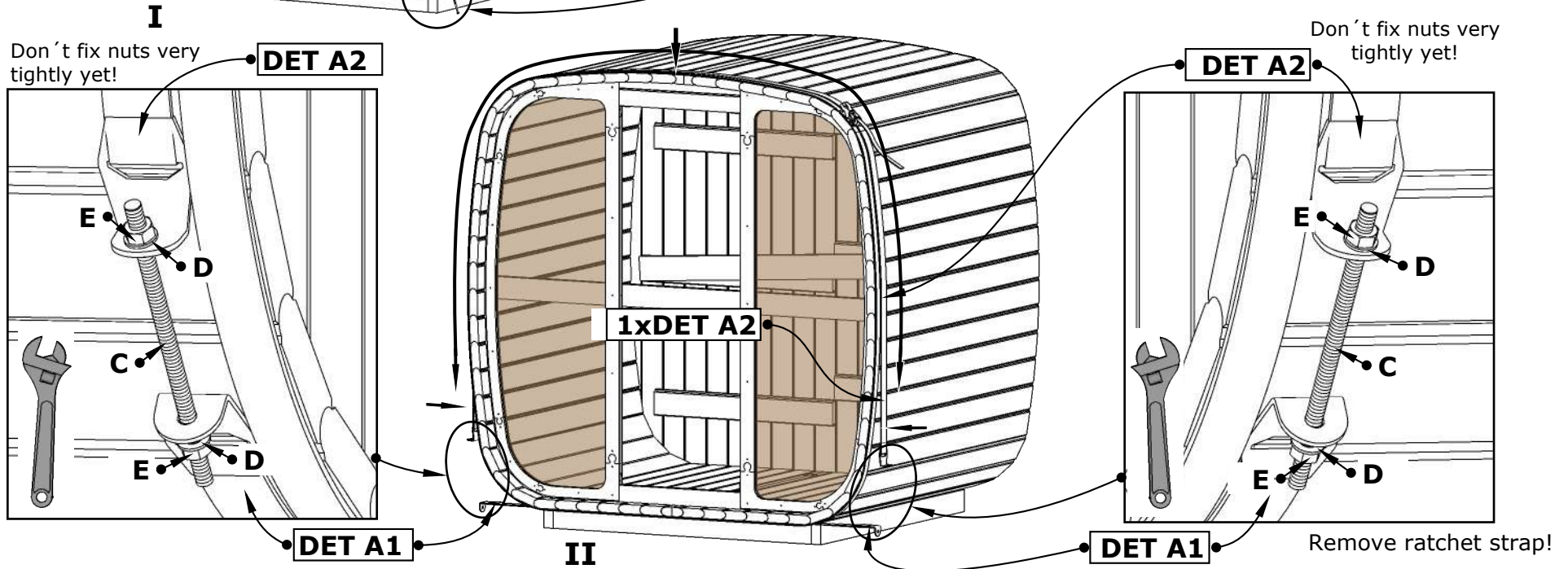
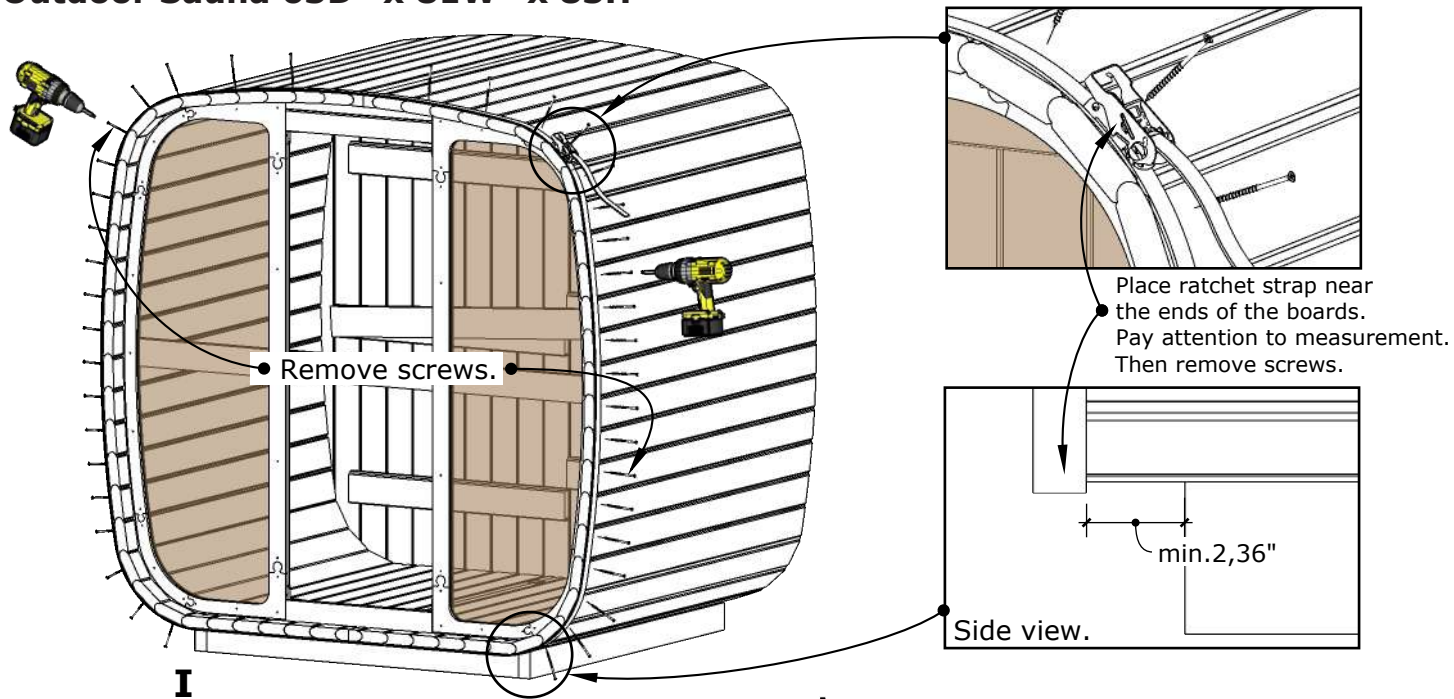
**III**



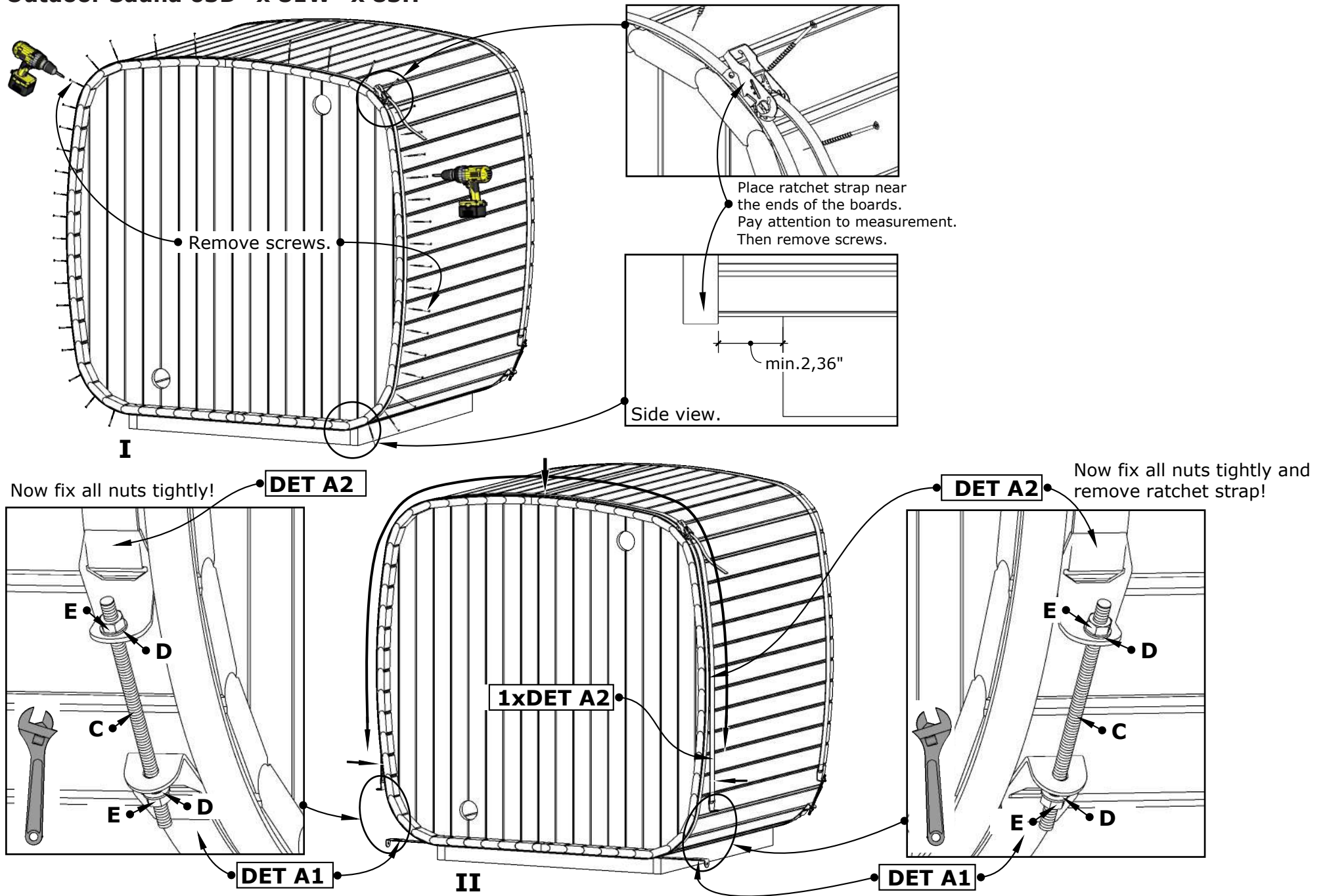
**IV**



# CL5G Outdoor Sauna 63D" x 81W" x 83H"

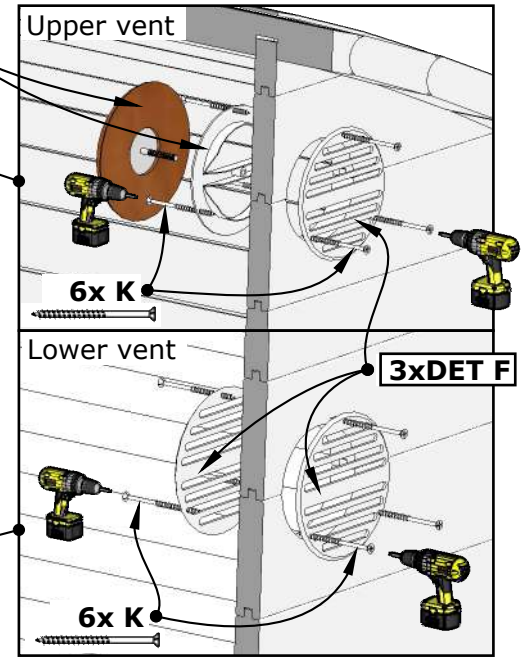
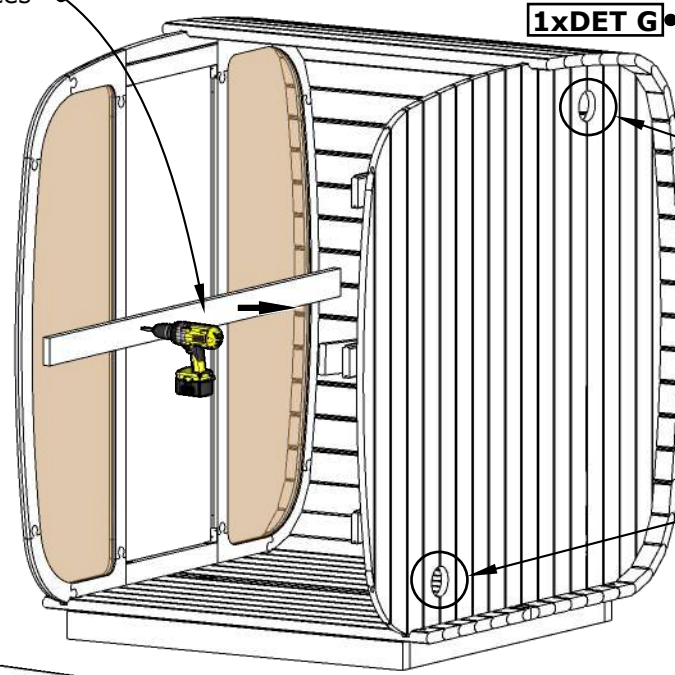
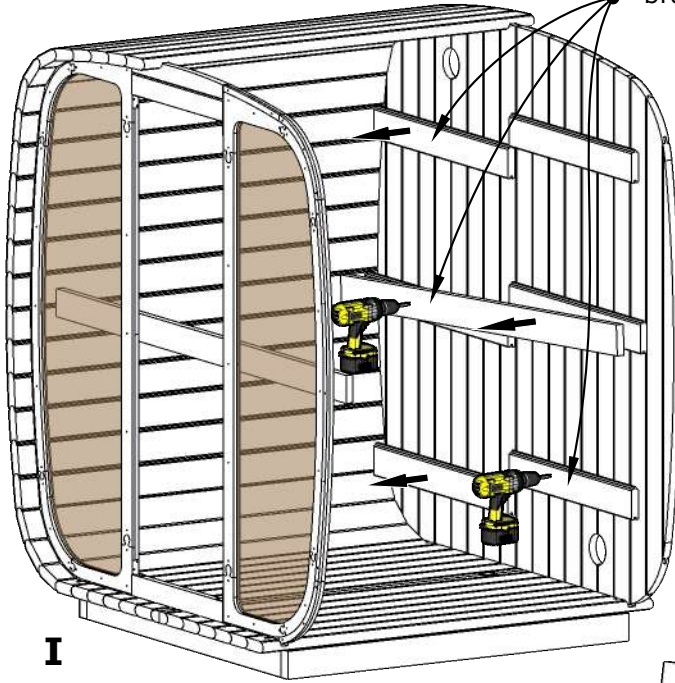


# CL5G Outdoor Sauna 63D" x 81W" x 83H"

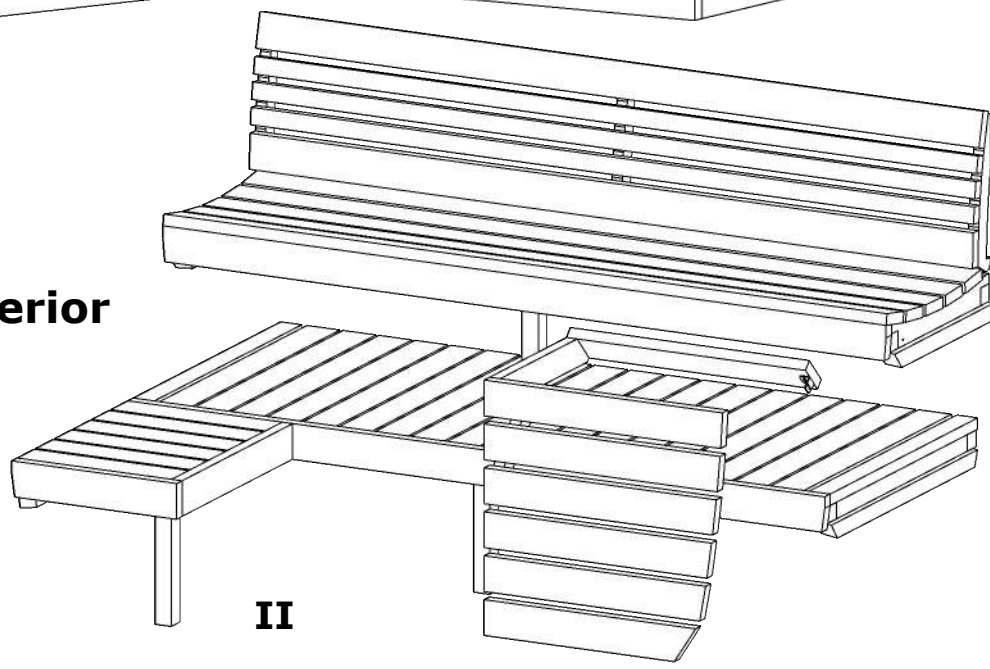


# CL5G Outdoor Sauna 63D" x 81W" x 83H"

Remove all temporary braces

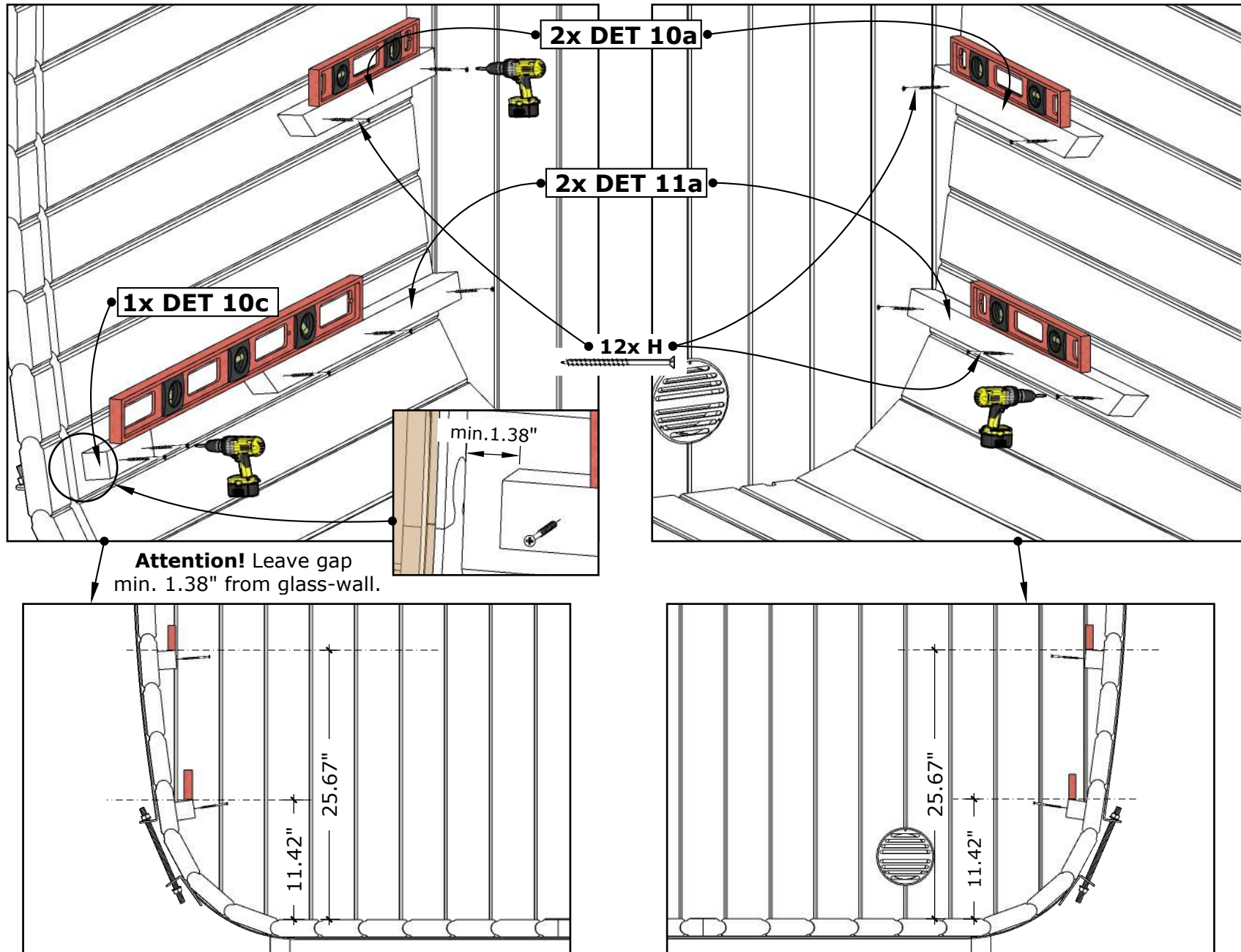


## Interior

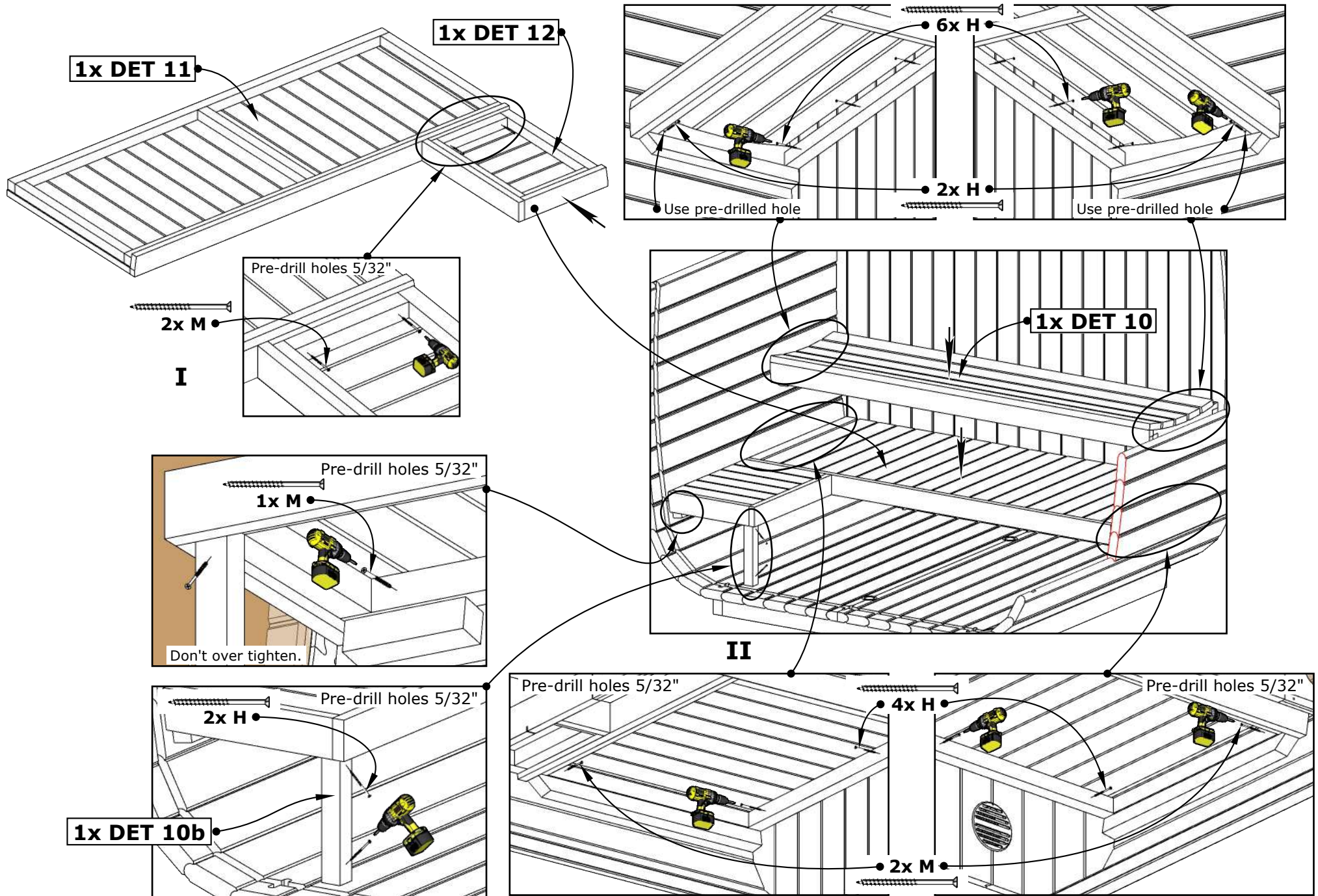


# CL5G Outdoor Sauna 63D" x 81W" x 83H"

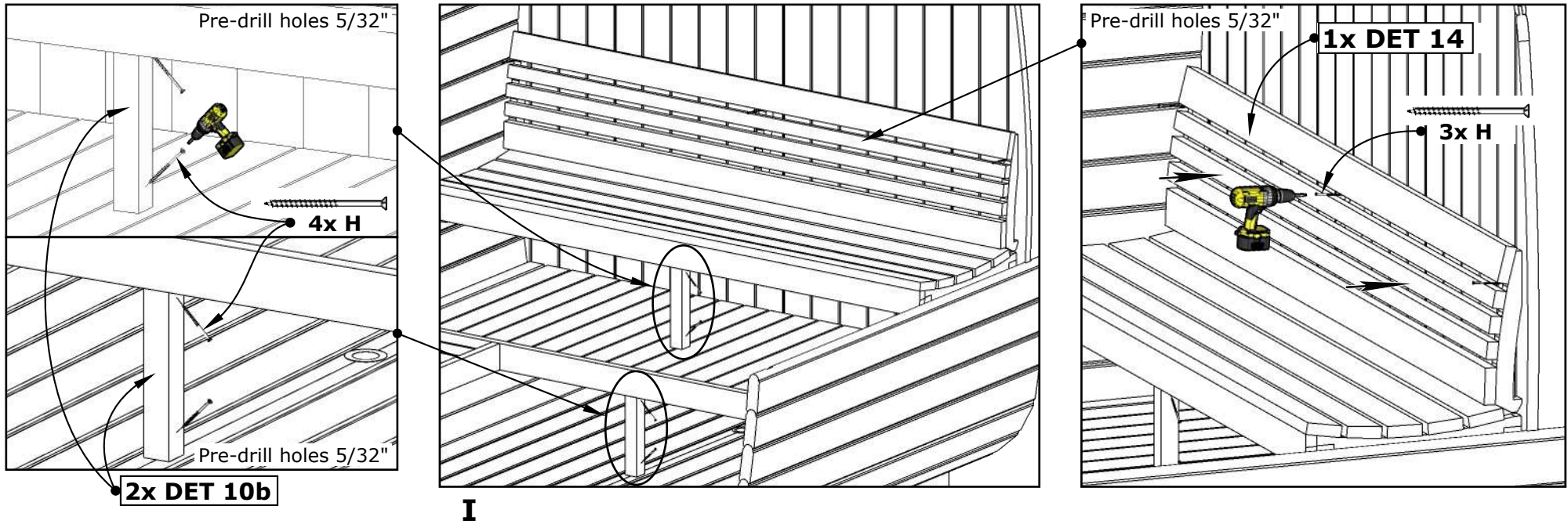
Use waterlevel for installation!



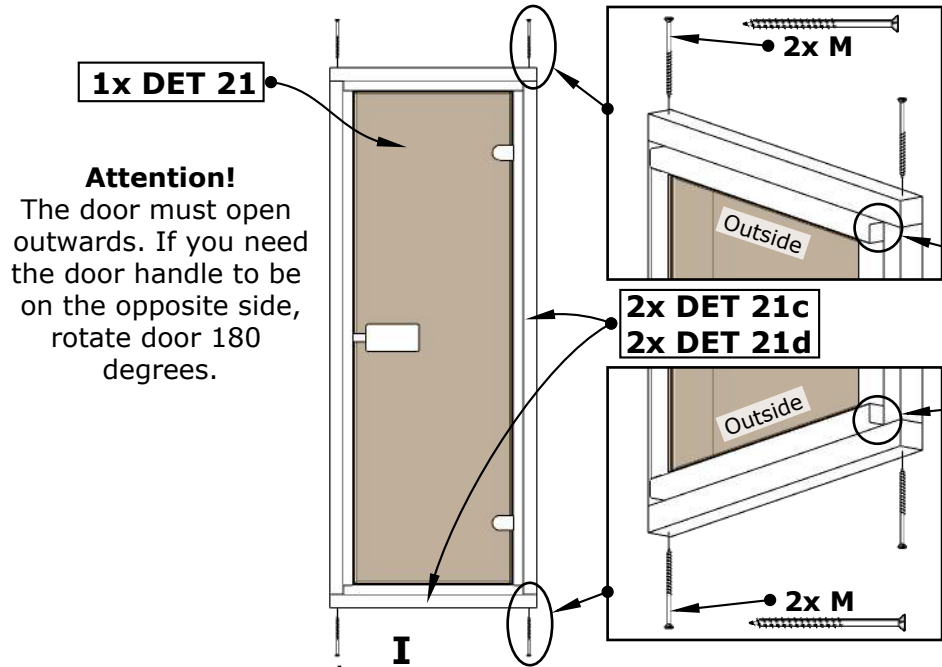
# CL5G Outdoor Sauna 63D" x 81W" x 83H"



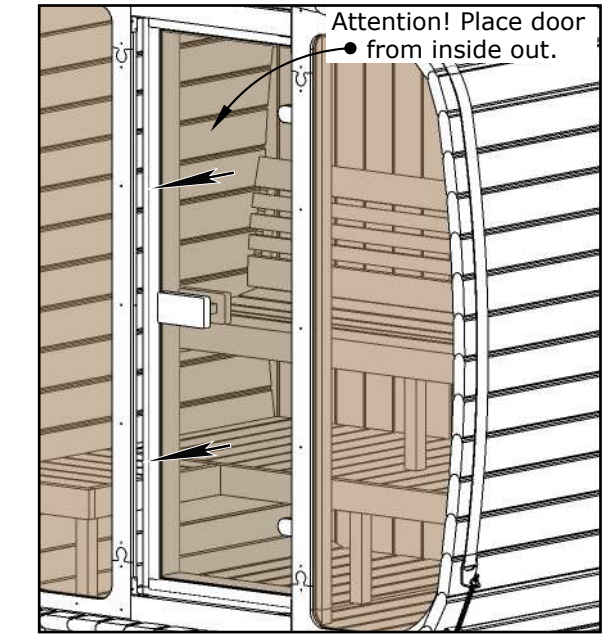
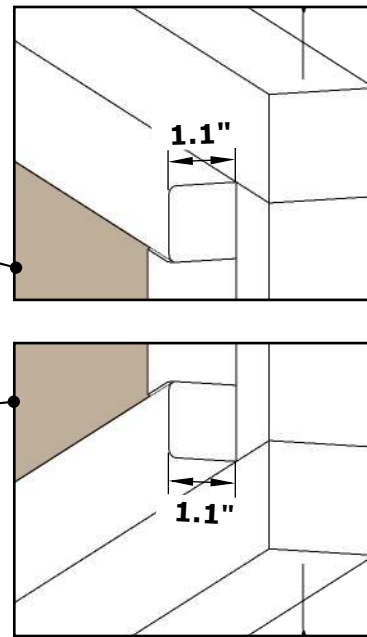
# CL5G Outdoor Sauna 63D" x 81W" x 83H"



# CL5G Outdoor Sauna 63D" x 81W" x 83H"



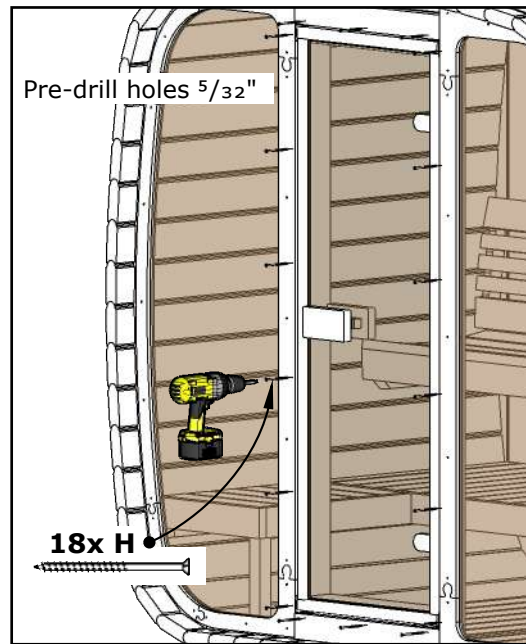
**Attention!**  
The door must open outwards. If you need the door handle to be on the opposite side, rotate door 180 degrees.



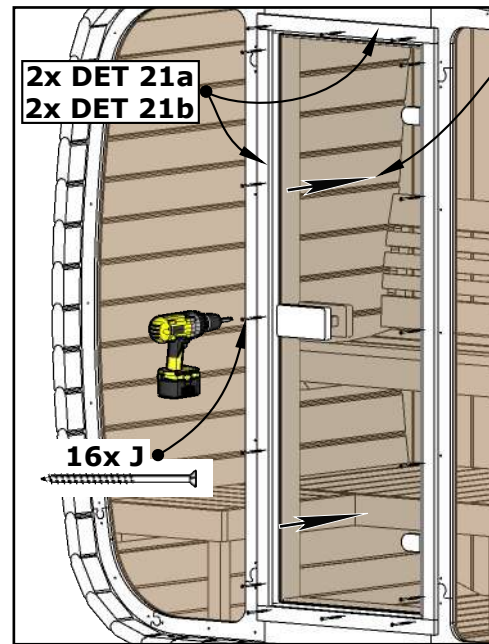
**II** Ensure door frame is pressed tightly against the wall and fasten from inside.



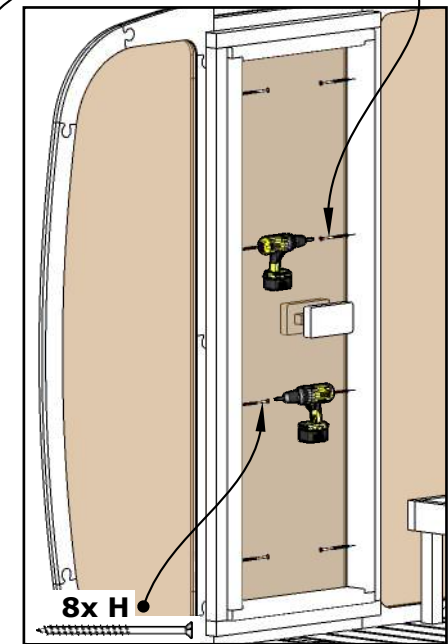
Use waterlevel.



**III**



**IV**

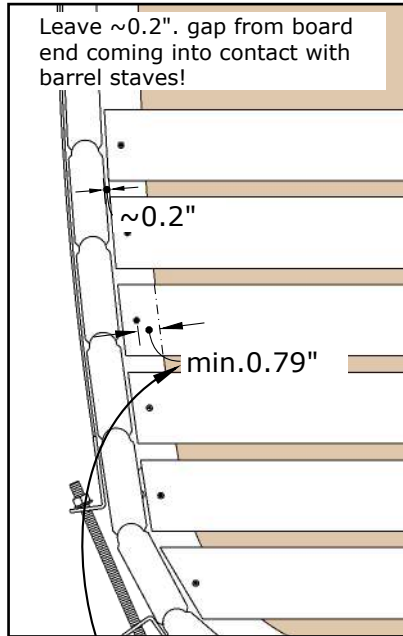


**V**

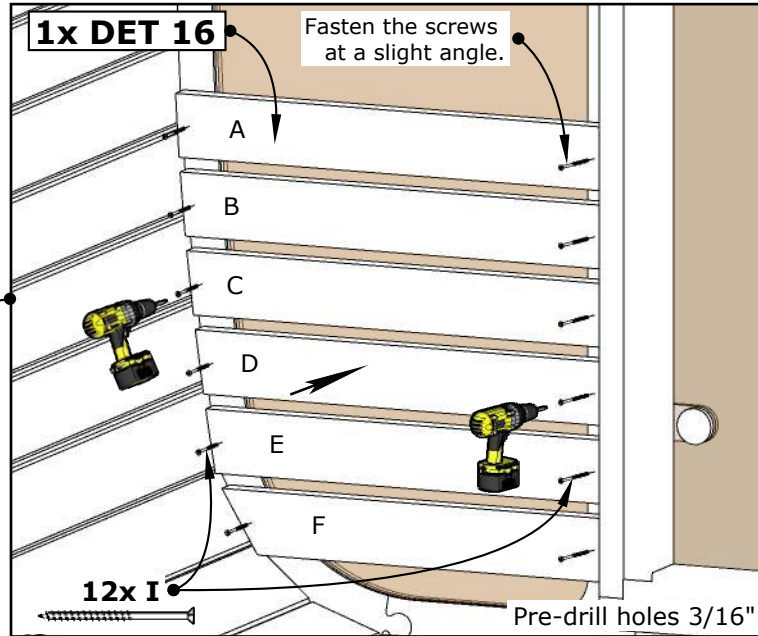


# CL5G Outdoor Sauna 63D" x 81W" x 83H"

Please be careful!!! Do not hit the glass with the screw.

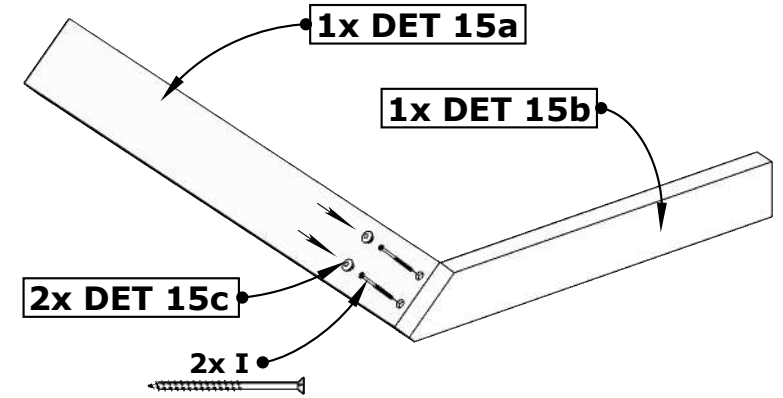


Please be careful!!! Do not hit the glass with the screw.



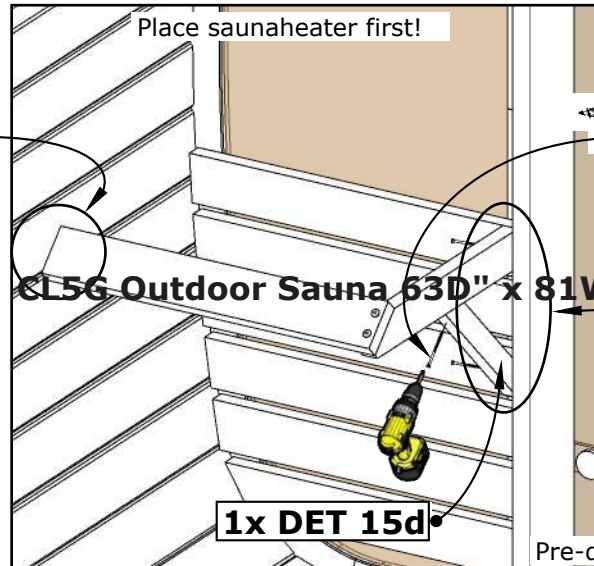
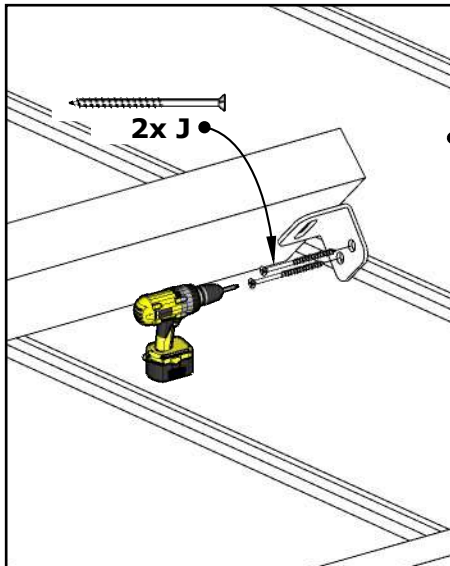
**I**

**ATTENTION!**  
HEATER GUARD MAY NOT MEET THE SAFETY DISTANCES OF ALL HEATERS AND SHOULD NOT BE USED IF THE HEATER DOES NOT FIT!

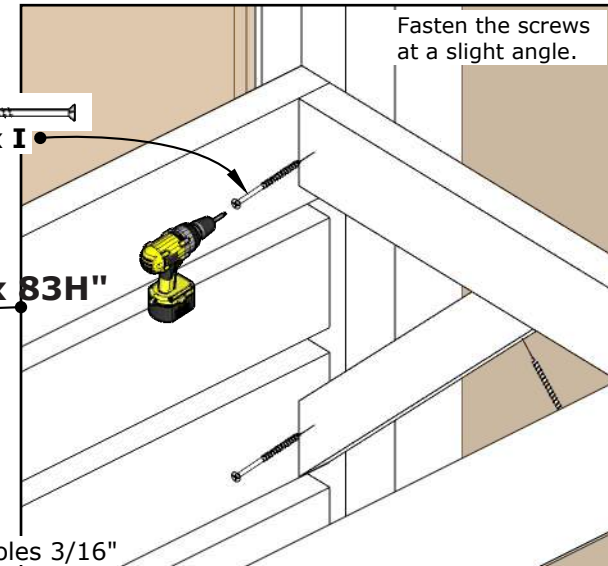


If Your sauna heater is smaller, You can cut DET 15b to length from the non-tapered end to better fit your heater.

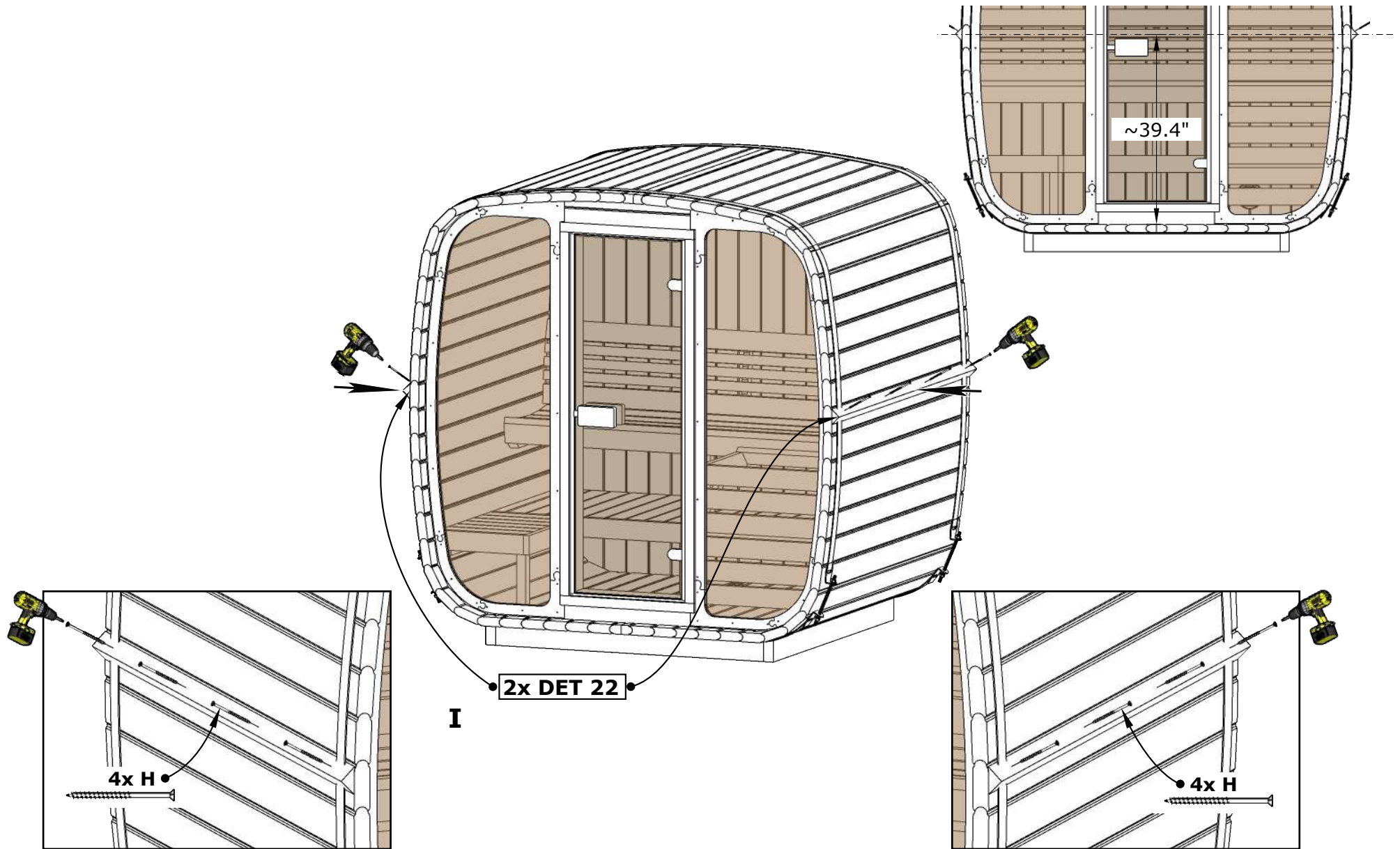
**II**



**III**

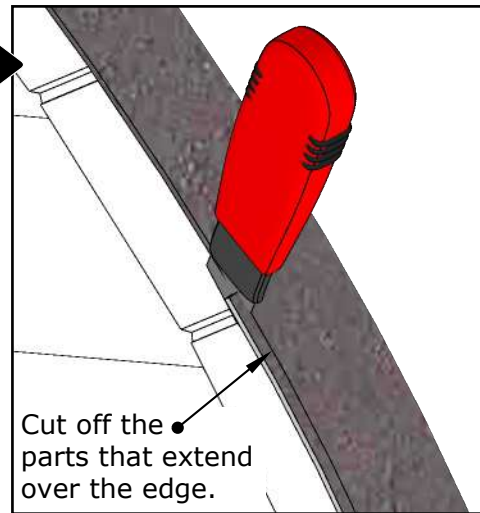
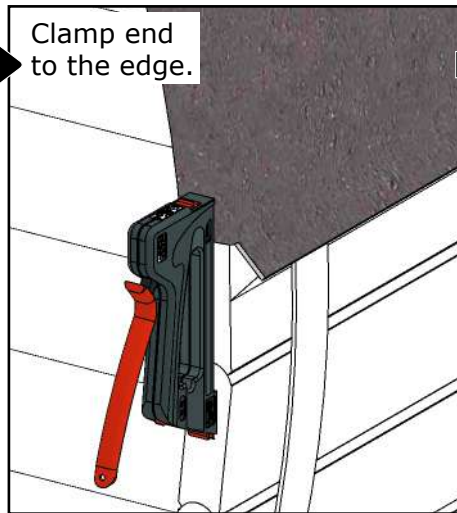
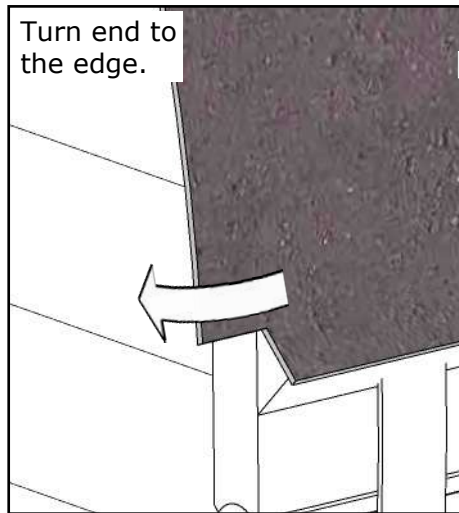
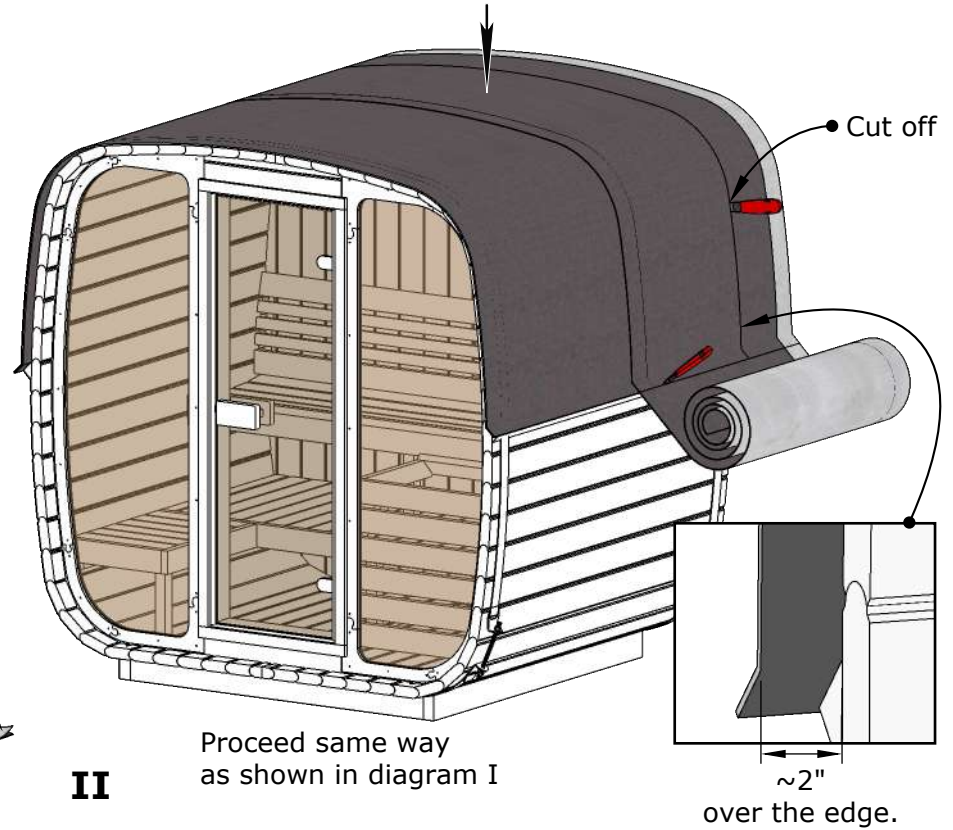
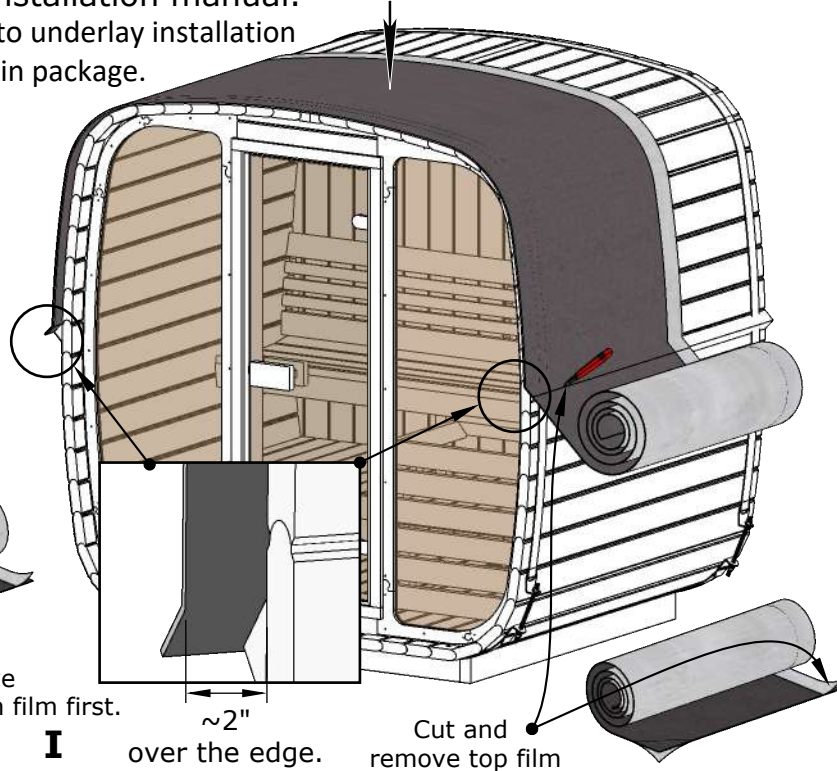
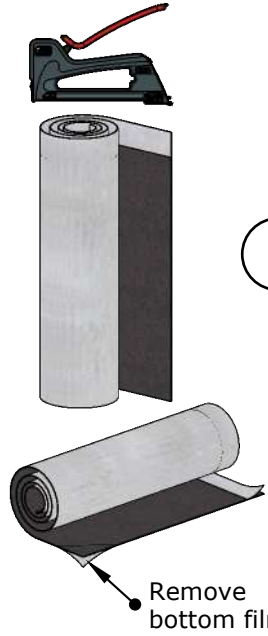


CL5G Outdoor Sauna 63D" x 81W" x 83H"



# CL5G Outdoor Sauna 63D" x 81W" x 83H"

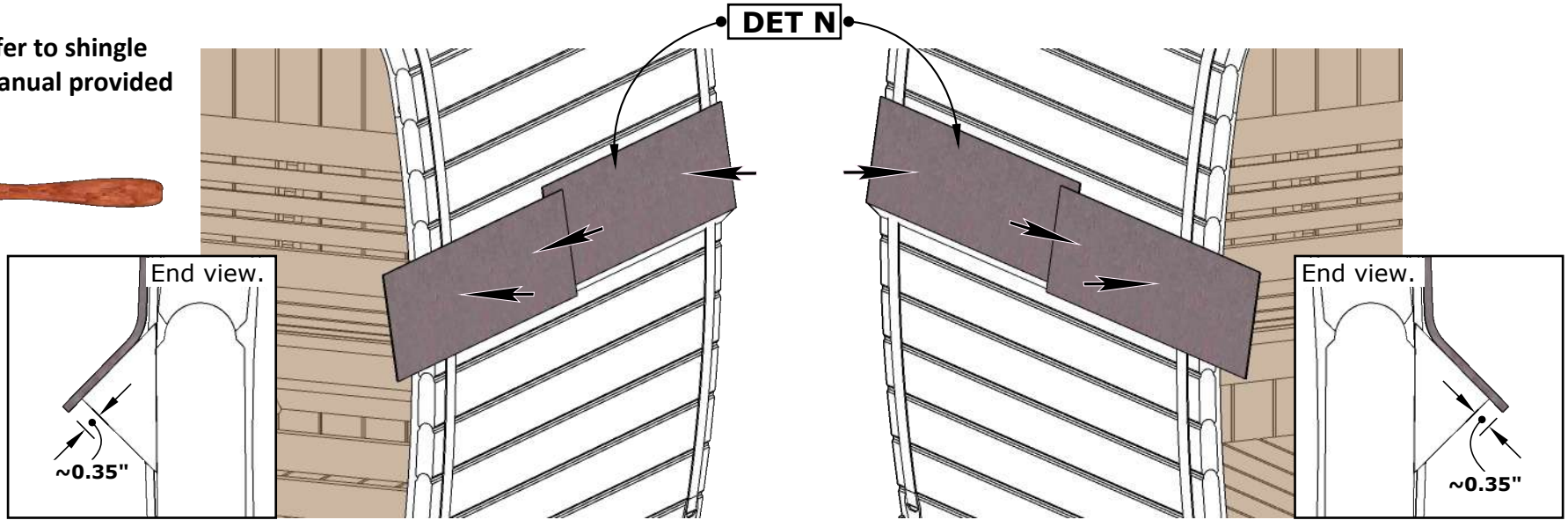
Underlay felt installation manual.  
**Attention!** Refer to underlay installation manual provided in package.



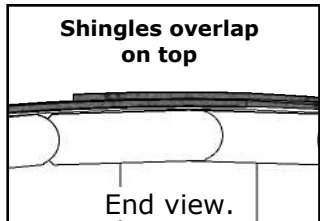
**III**

# CL5G Outdoor Sauna 63D" x 81W" x 83H"

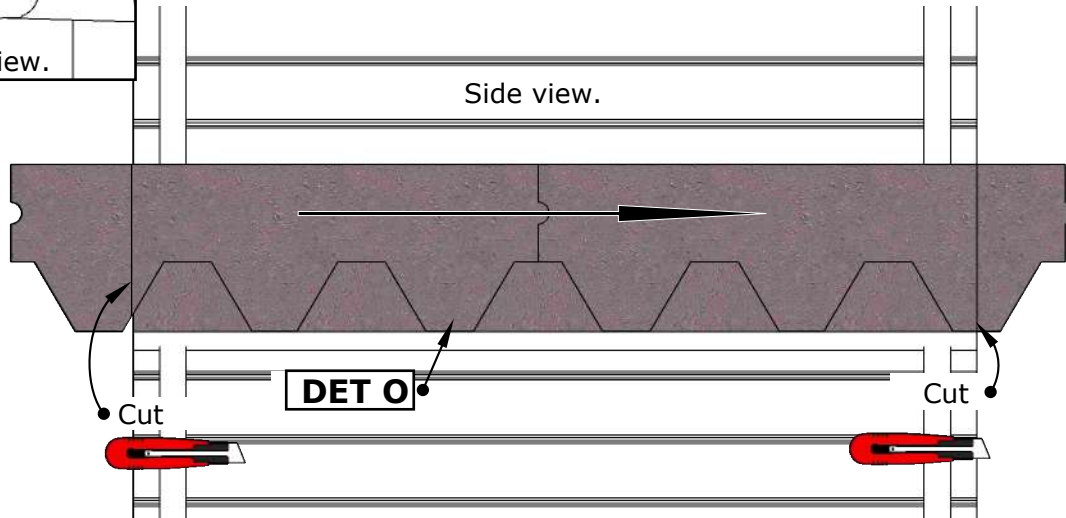
Attention! Refer to shingle installation manual provided in package.



**I**

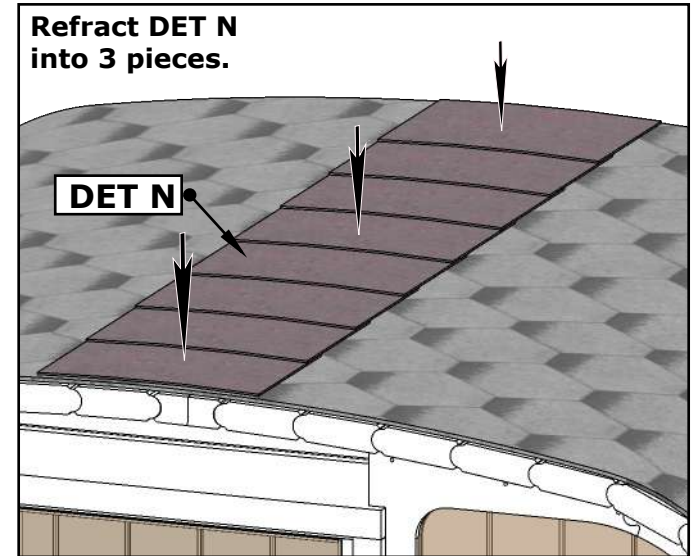


Attention! Refer to shingle installation manual provided in package.



**II**

Attention! Refer to shingle installation manual provided in package.



**III**

CL5G Outdoor Sauna 63D" x 81W" x 83H"

