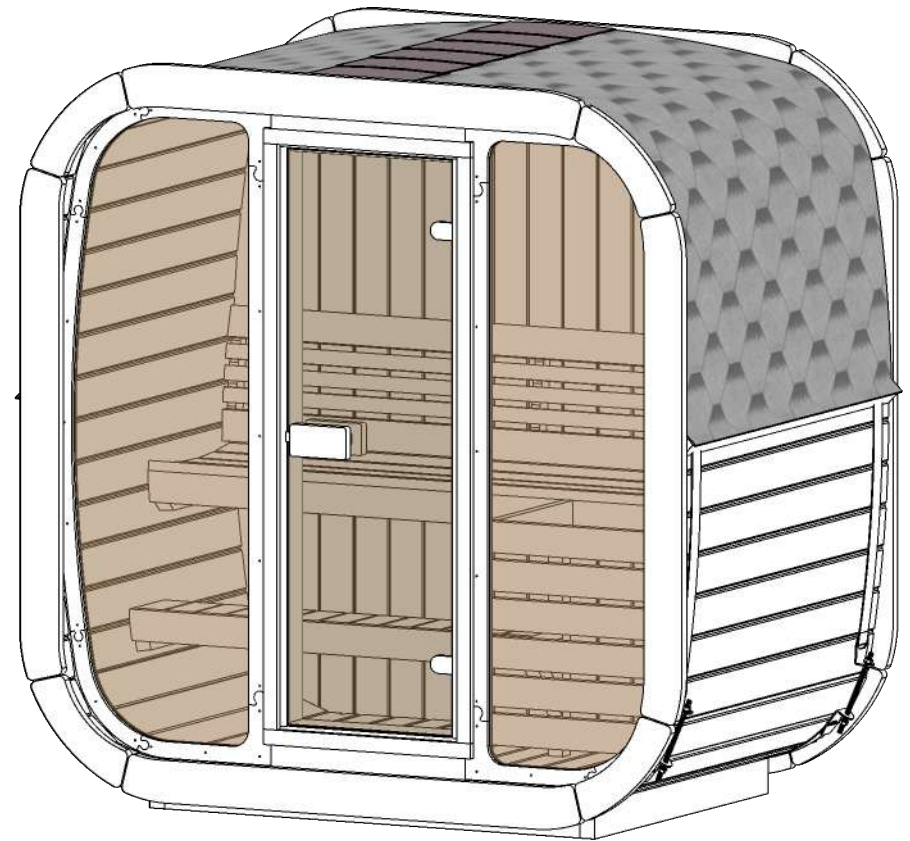
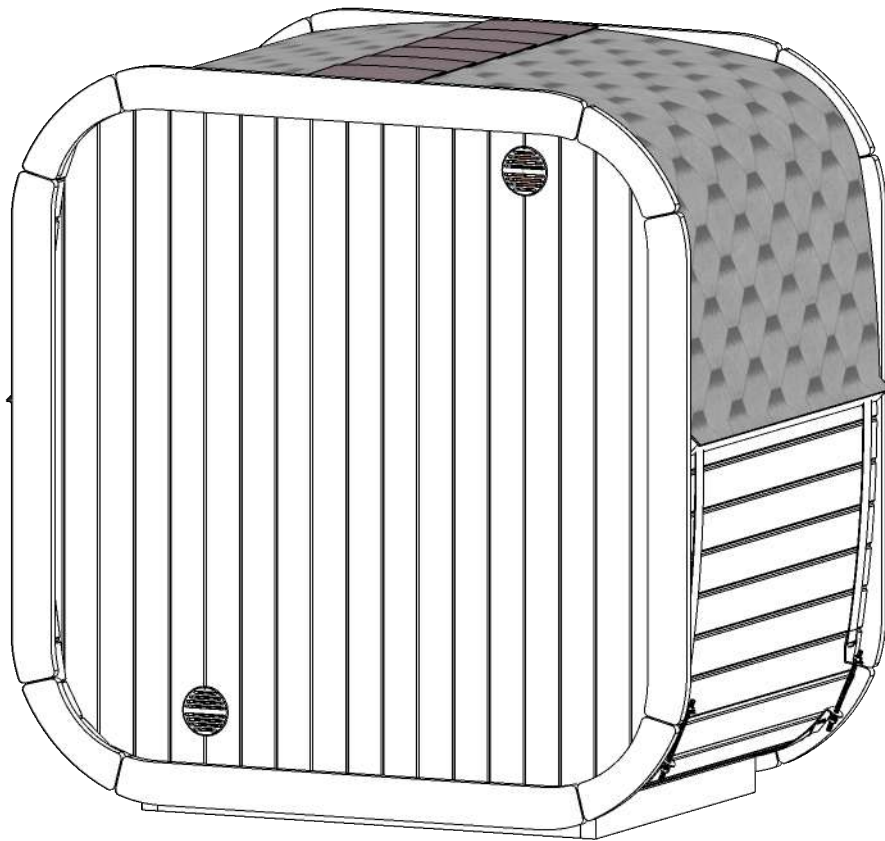


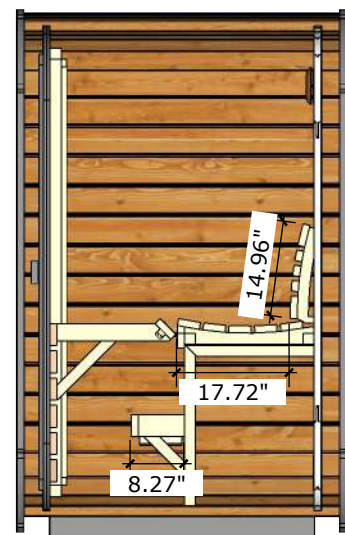
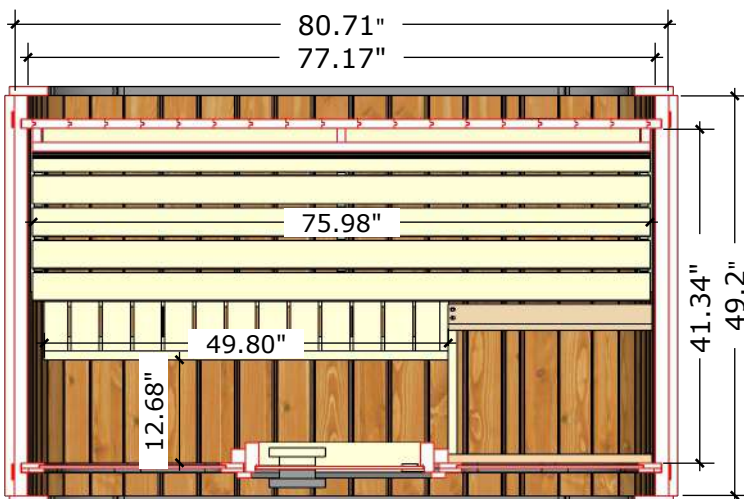
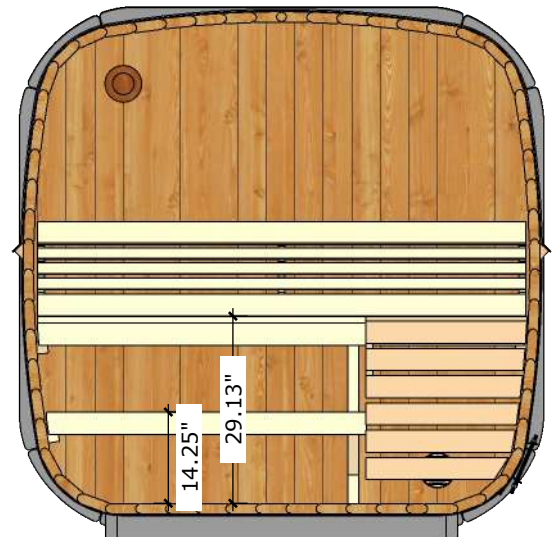


Cube-Series CL4G Outdoor Sauna
50D" x 81W" x 83H"

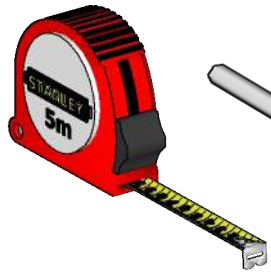


Note: Please read manual before construction

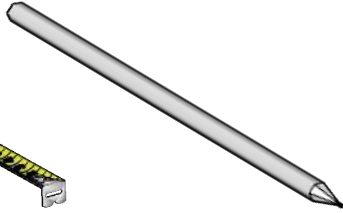
Rev: 1.0_6/2024



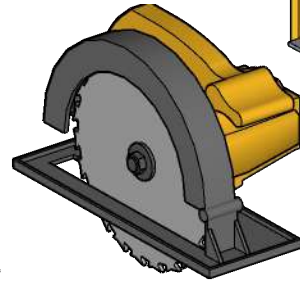
Tools needed



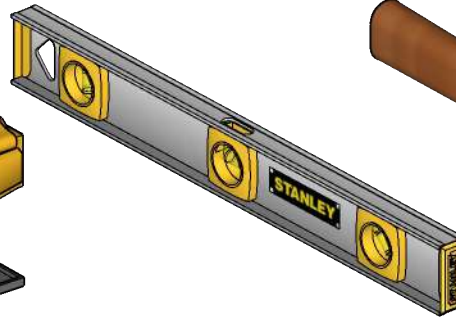
Measuring tape



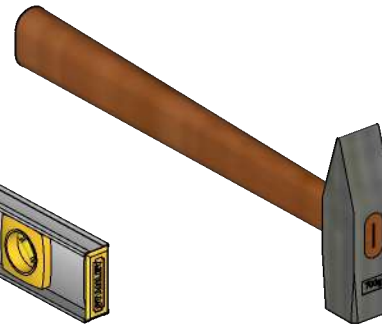
Marker pen



Circular saw



Water level



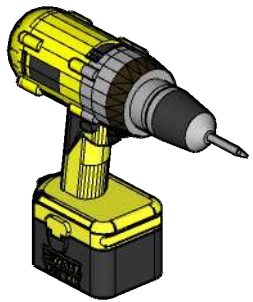
Hammer



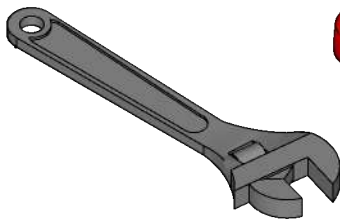
Extra hands



Screwdriver



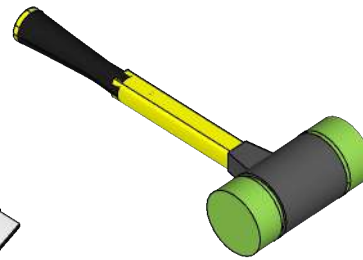
Drill



Crescent wrench



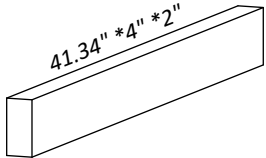

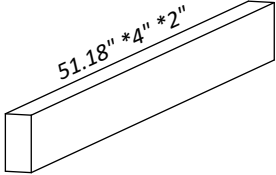
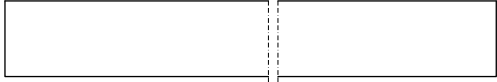
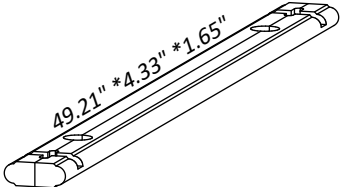
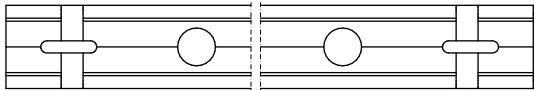
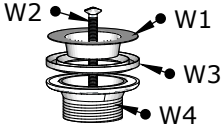
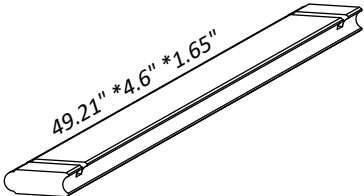

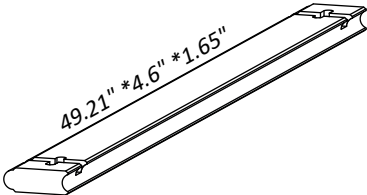
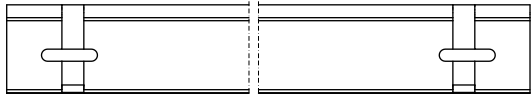
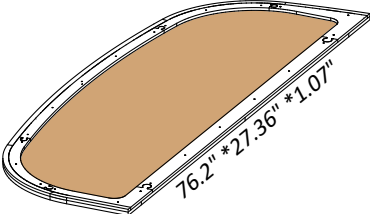
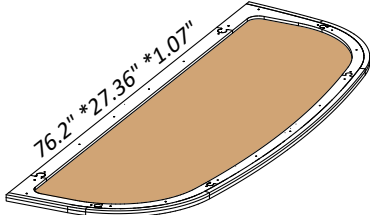
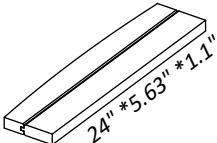

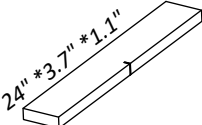
Utility knife

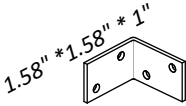
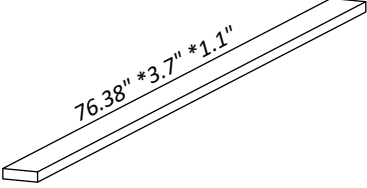
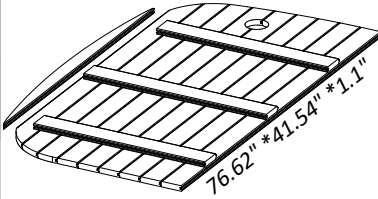
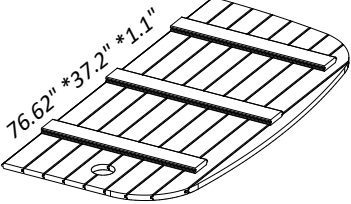
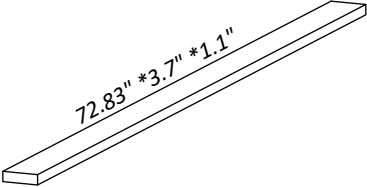
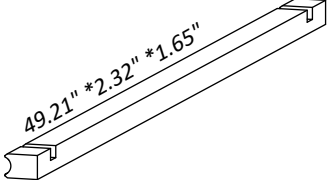
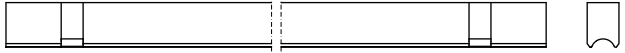
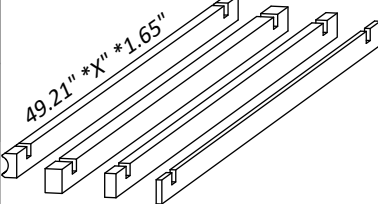
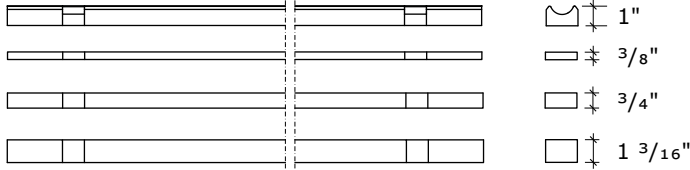
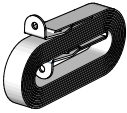
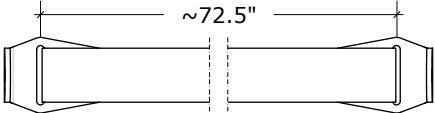
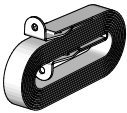
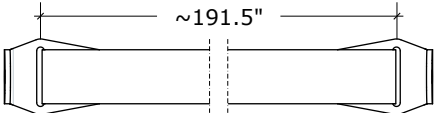




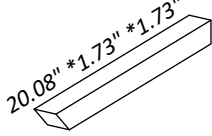
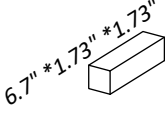
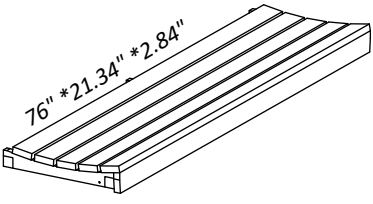
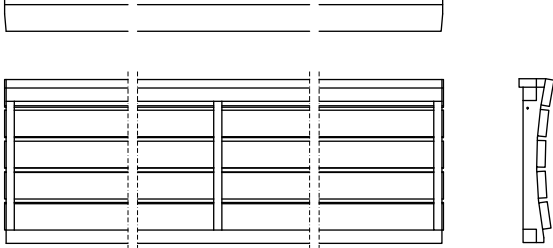
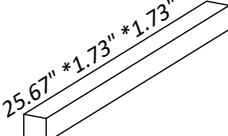
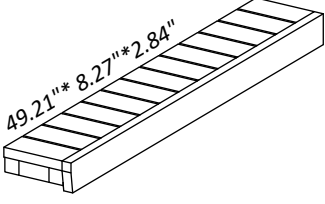
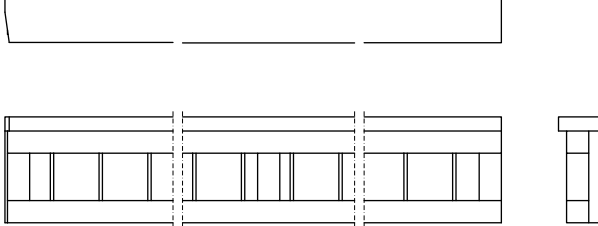
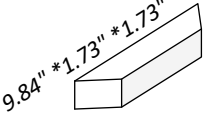

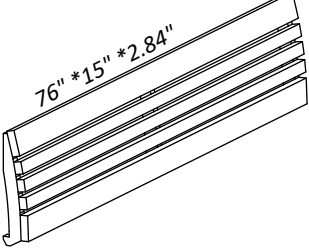
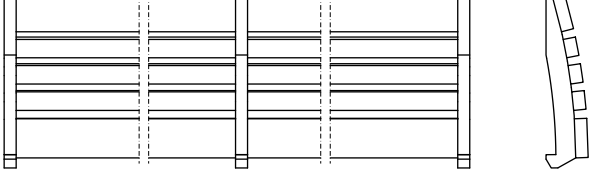
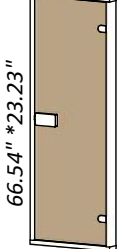
Rubber mallet

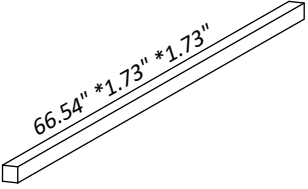
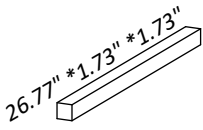
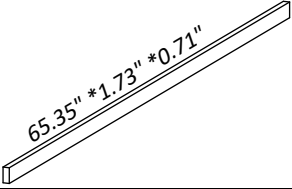
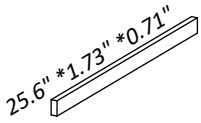
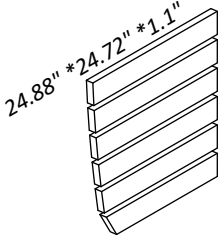
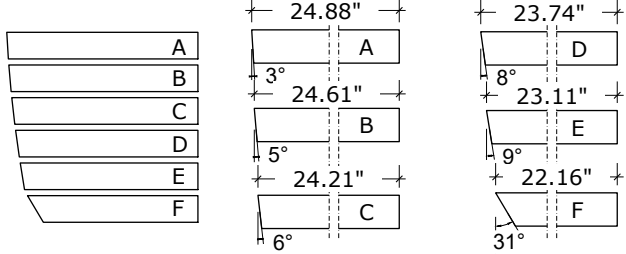
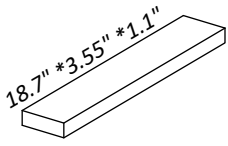
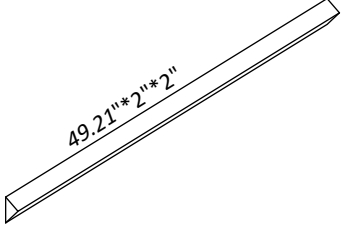
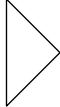
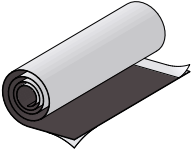
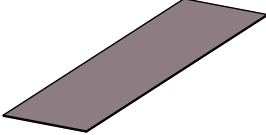
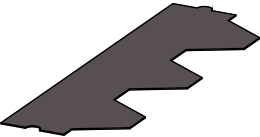


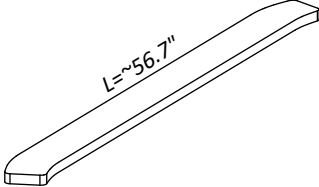

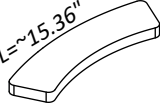

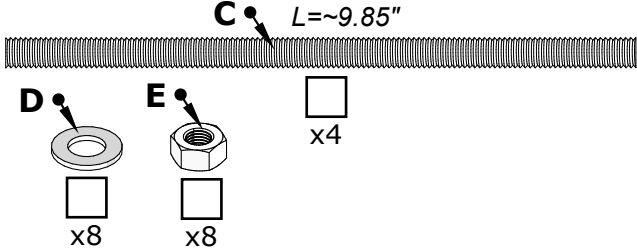
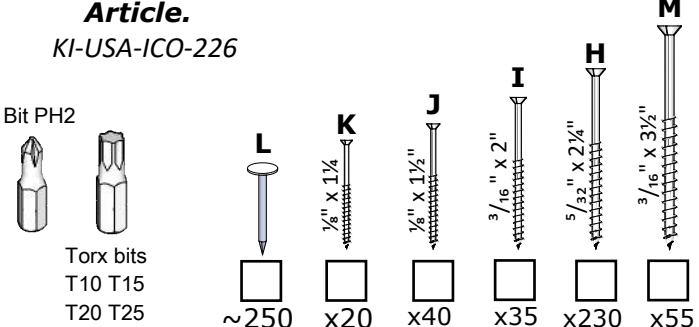
Ratchet strap

<p>DET 1</p> <p>Article. K-SM100/1050</p>	<p>x2</p>	 <p>41.34" * 4" * 2"</p>	
<p>DET 2</p> <p>Article. K-SM100/1300</p>	<p>x3</p>	 <p>51.18" * 4" * 2"</p>	
<p>DET 3</p> <p>Article. T-STL117/1250XLM01</p>	<p>x1</p>	 <p>49.21" * 4.33" * 1.65"</p>	
<p>DET W</p> <p>Article. MU-TRAPP</p>	<p>x2 kmpł</p>	 <p>W2 W1 W3 W4</p>	
<p>DET 3</p> <p>Article. T-STL117/1250-01</p>	<p>x64</p>	 <p>49.21" * 4.6" * 1.65"</p>	
<p>DET 3/H</p> <p>Article. T-STL117/1250-01X</p>	<p>x2</p>	 <p>49.21" * 4.6" * 1.65"</p>	
<p>DET Sb</p> <p>Article. IC-TE-20-PR-12/15V</p>	<p>x1</p>	 <p>76.2" * 27.36" * 1.07"</p>	
<p>DET Sa</p> <p>Article. IC-TE-20-PR-12/15P</p>	<p>x1</p>	 <p>76.2" * 27.36" * 1.07"</p>	
<p>DET Ta</p> <p>Article. T-SL117/610UK1</p>	<p>x1</p>	 <p>24" * 5.63" * 1.1"</p>	
<p>DET Tb</p> <p>Article. T-TL94/610J</p>	<p>x1</p>	 <p>24" * 3.7" * 1.1"</p>	

<p>DET V</p> <p>Article. KI-VIN-25/40/40-ZN</p>	<p>x4</p>		
<p>DET U1</p> <p>Article. K-TL94/1940</p>	<p>x1</p>		
<p>DET Y1</p> <p>Article. T-IC-PTS-20/28-V</p>	<p>x1</p>		
<p>DET Y2</p> <p>Article. T-IC-PTS-20/28-P</p>	<p>x1</p>		
<p>DET U2</p> <p>Article. K-TL94/1850</p>	<p>x1</p>		
<p>DET 6</p> <p>Article. T-STL117/1250XL-01</p>	<p>x2</p>		
<p>DET 6c/d/e/f</p> <p>Article. T-STL117/1250KO-01</p>	<p>x1</p>		
<p>DET A1</p> <p>Article. MU-VIT1840-KLZN</p>	<p>x2</p>		
<p>DET A2</p> <p>Article. MU-VIT4860-KLZN</p>	<p>x2</p>		
<p>DET G</p> <p>Article. MU-VENT-100-PU</p>	<p>x1</p>		

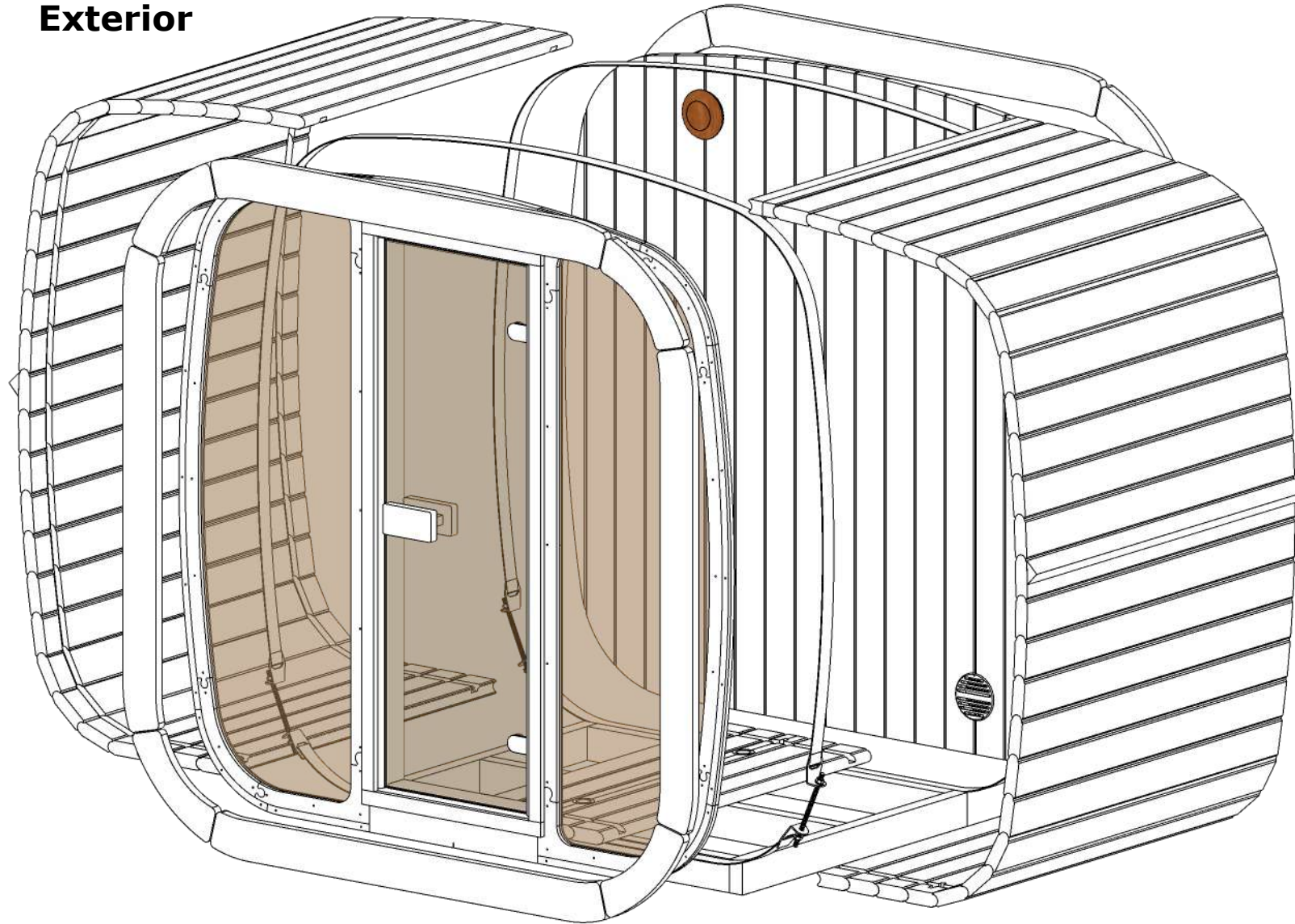
<p>DET F</p> <p>Article. MU-VENT-100-ZN</p>	<p>x3</p>		
<p>DET 10a</p> <p>Article. K-HP44/510XP</p>	<p>x2</p>		
<p>DET 10c</p> <p>Article. K-HP44/170</p>	<p>x1</p>		
<p>DET 10</p> <p>Article. TL-LAMOD-1930-KA01</p>	<p>x1</p>		
<p>DET 10b</p> <p>Article. K-HP44/652</p>	<p>x1</p>		
<p>DET 12</p> <p>Article. TL-LAMOD-1250-01</p>	<p>x1</p>		
<p>DET 12a</p> <p>Article. K-HP44/250XP-XP</p>	<p>x1</p>		
<p>DET 14</p> <p>Article. TL-STMOD-1930-KA01</p>	<p>x1</p>		
<p>DET 21</p> <p>Article. U-KL-6/17-PR</p>	<p>x1</p>		

<p>DET 21c</p> <p>Article. K-HP44/1690</p>	<p>x2</p>		
<p>DET 21d</p> <p>Article. K-HP44/680</p>	<p>x2</p>		
<p>DET 21a</p> <p>Article. K-HL44/1660</p>	<p>x2</p>		
<p>DET 21b</p> <p>Article. K-HL44/650</p>	<p>x2</p>		
<p>DET 16</p> <p>Article. TL-PIMOD-632-01</p>	<p>x1</p>		
<p>DET 15</p> <p>Article. TL-LAV90/475</p>	<p>x1</p>		
<p>DET 22</p> <p>Article. T-STL-1250-XX</p>	<p>x2</p>		
<p>Underlay felt</p> <p>Article. KAT-AL</p>	<p>26'</p>		
<p>DET N</p> <p>Article. KAT-HAR-MUST</p>	<p>x5</p>		
<p>DET O</p> <p>Article. KAT-SIN-MUST</p>	<p>x42</p>		

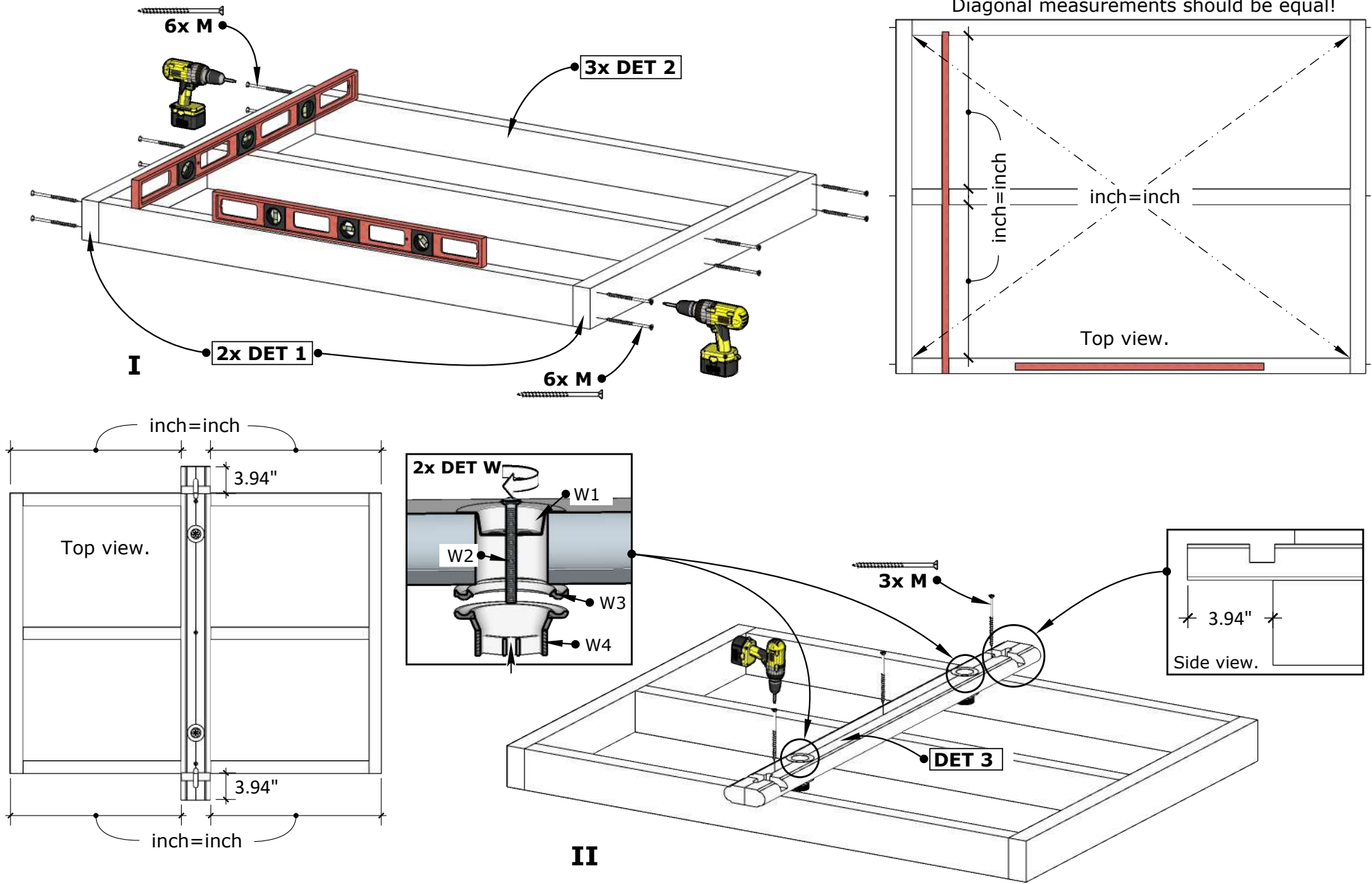
<p>DET 25a</p> <p>Article. MU-OL-IC-20-1</p>	<p>x8</p>	 <p>L≈56.7"</p>	
<p>DET 25b</p> <p>Article. MU-OL-IC-20-2</p>	<p>x8</p>	 <p>L≈15.36"</p>	
<p>Article. KI-KERL-12-RV4</p>  <p>D x8</p> <p>E x8</p> <p>C L≈9.85"</p> <p>x4</p>		<p>Article. KI-USA-ICO-226</p>  <p>Bit PH2</p> <p>Torx bits T10 T15 T20 T25</p> <p>L ~250</p> <p>K 1/8" x 1 1/2" x20</p> <p>J 1/8" x 1 1/2" x40</p> <p>I 3/16" x 2" x35</p> <p>H 5/32" x 2 1/4" x230</p> <p>M 3/16" x 3 1/2" x55</p>	

CL4G Outdoor Sauna 50D" x 81W" x 83H"

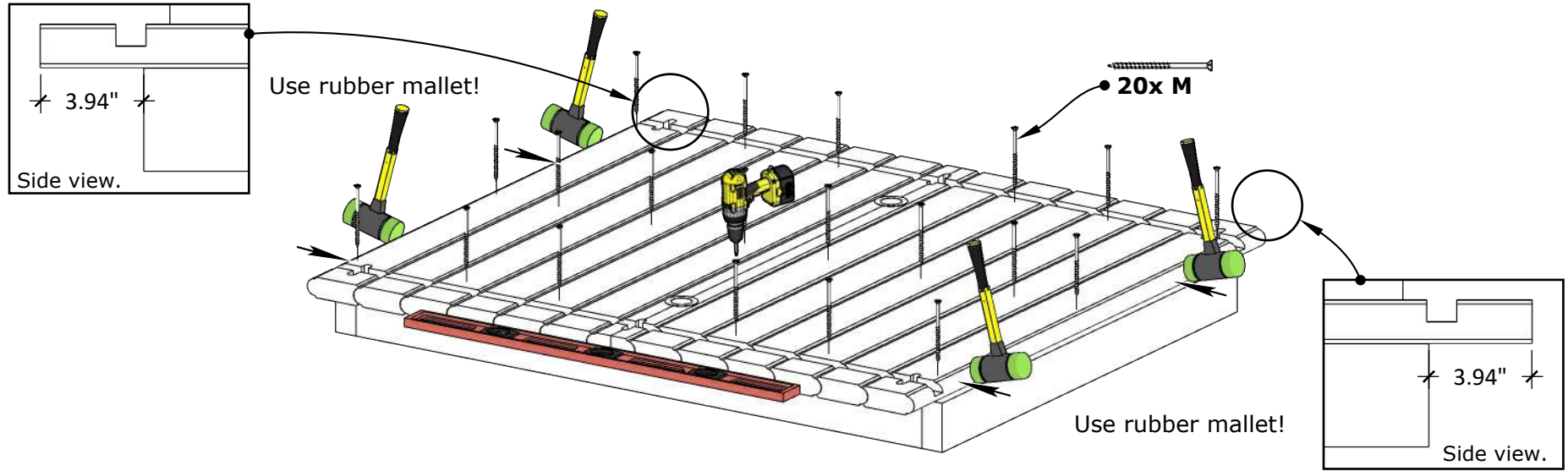
Exterior



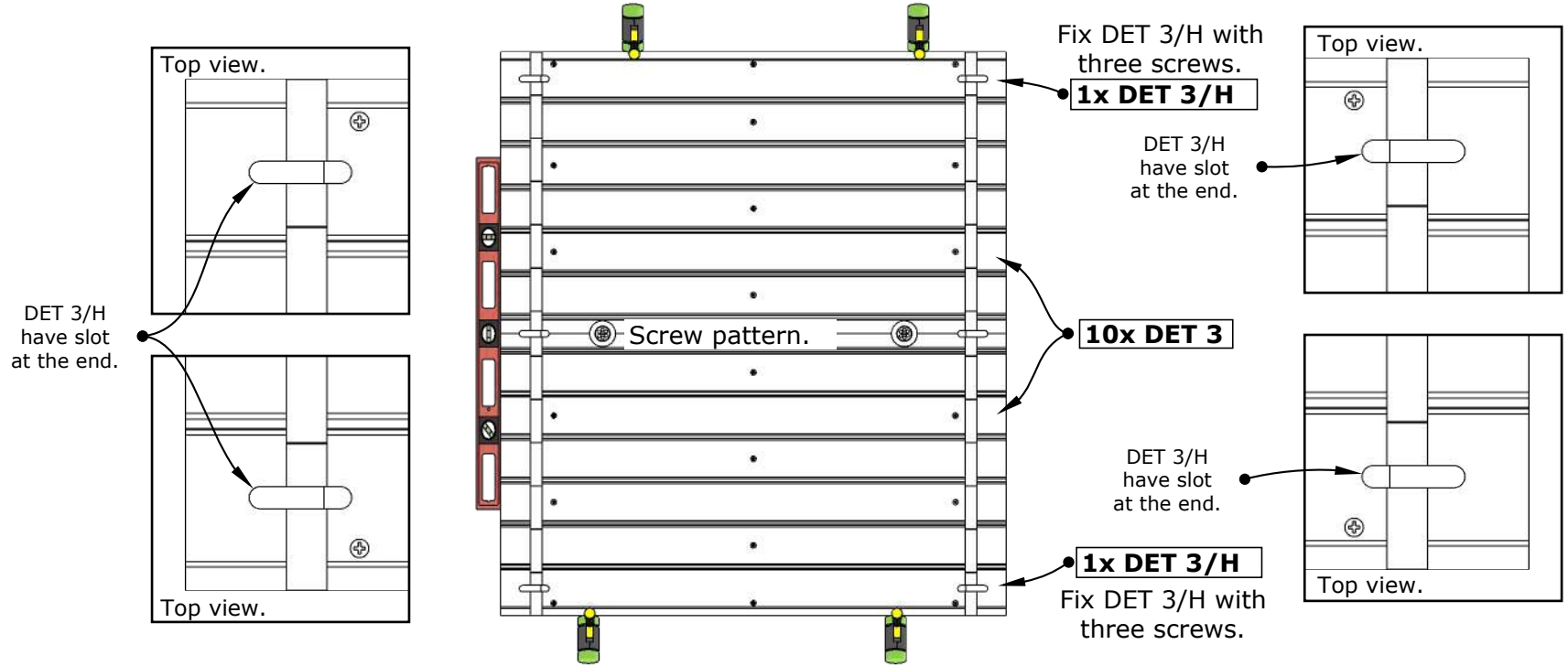
CL4G Outdoor Sauna 50D" x 81W" x 83H"



CL4G Outdoor Sauna 50D" x 81W" x 83H"

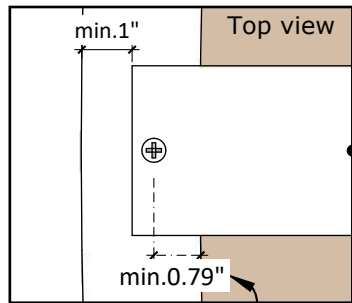
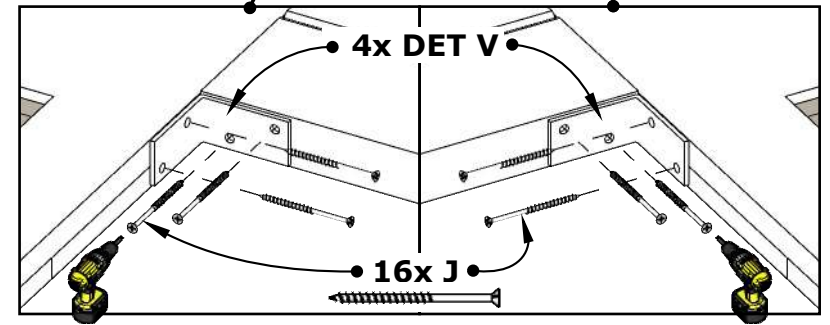
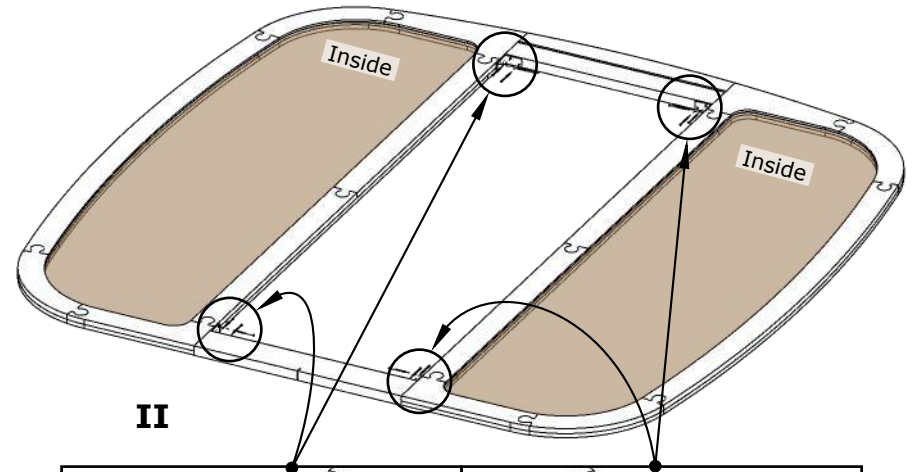
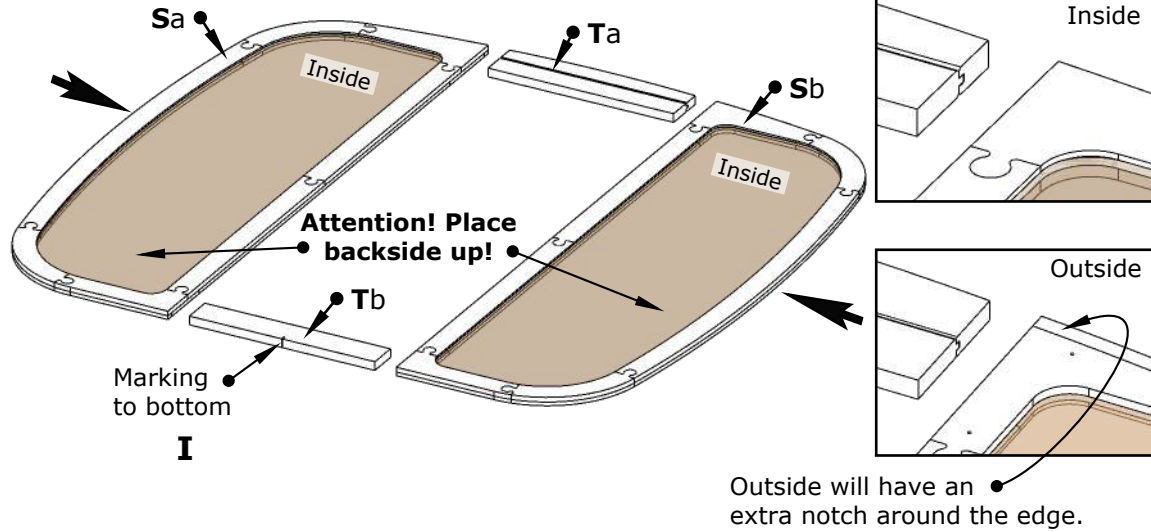


Fix screws over the one board, diagonally in every board.

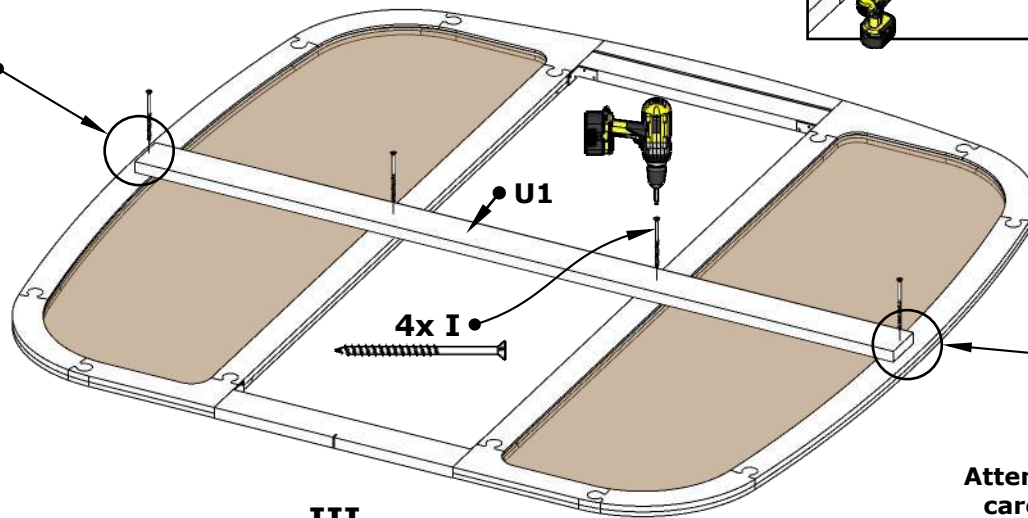


CL4G Outdoor Sauna 50D" x 81W" x 83H"

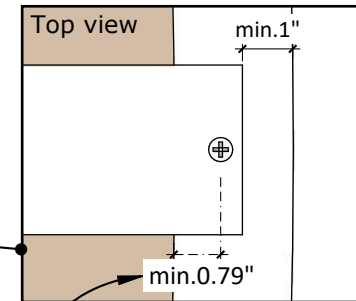
Front glass-wall assembly



Attention! Be extra careful to not hit the glass!!!



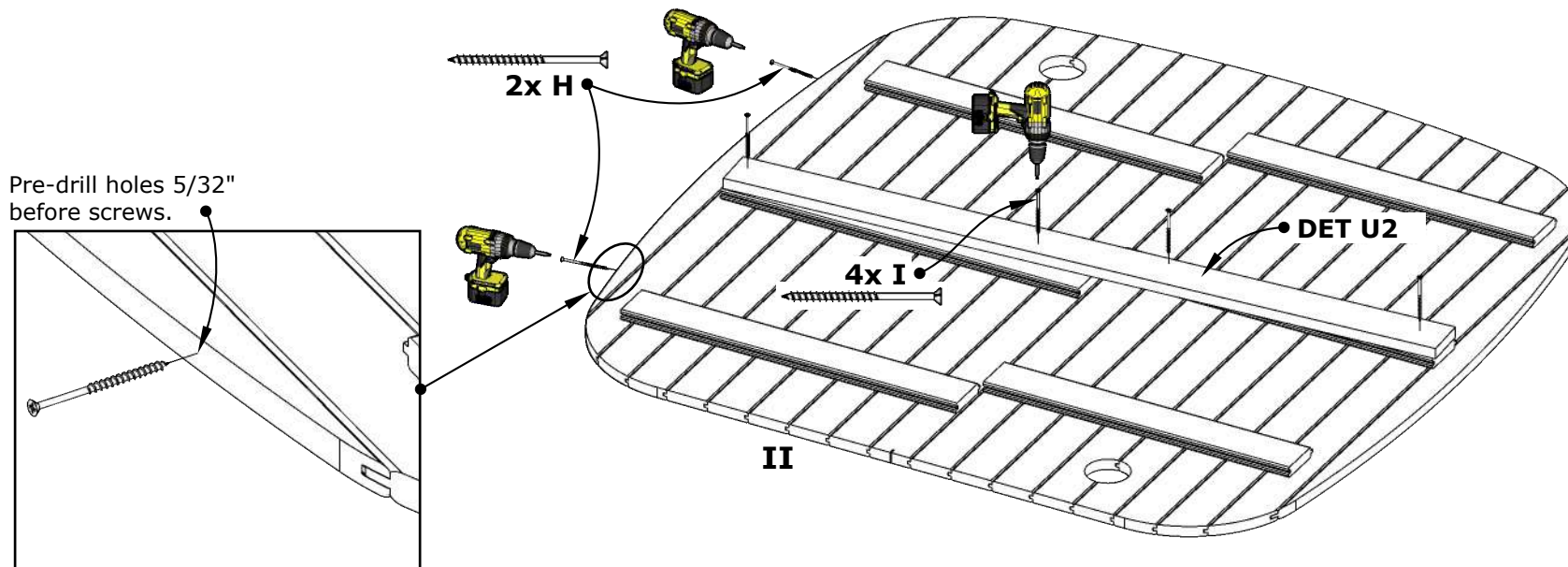
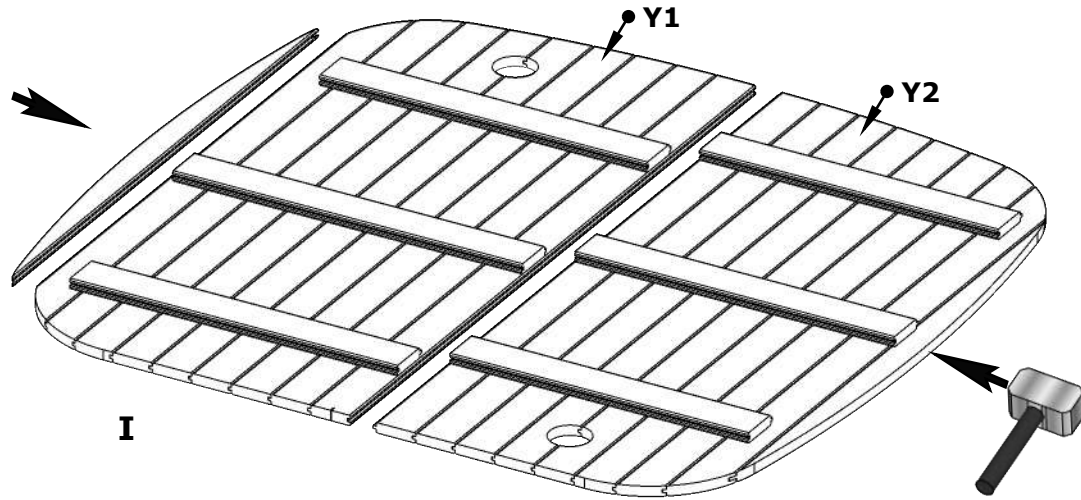
III



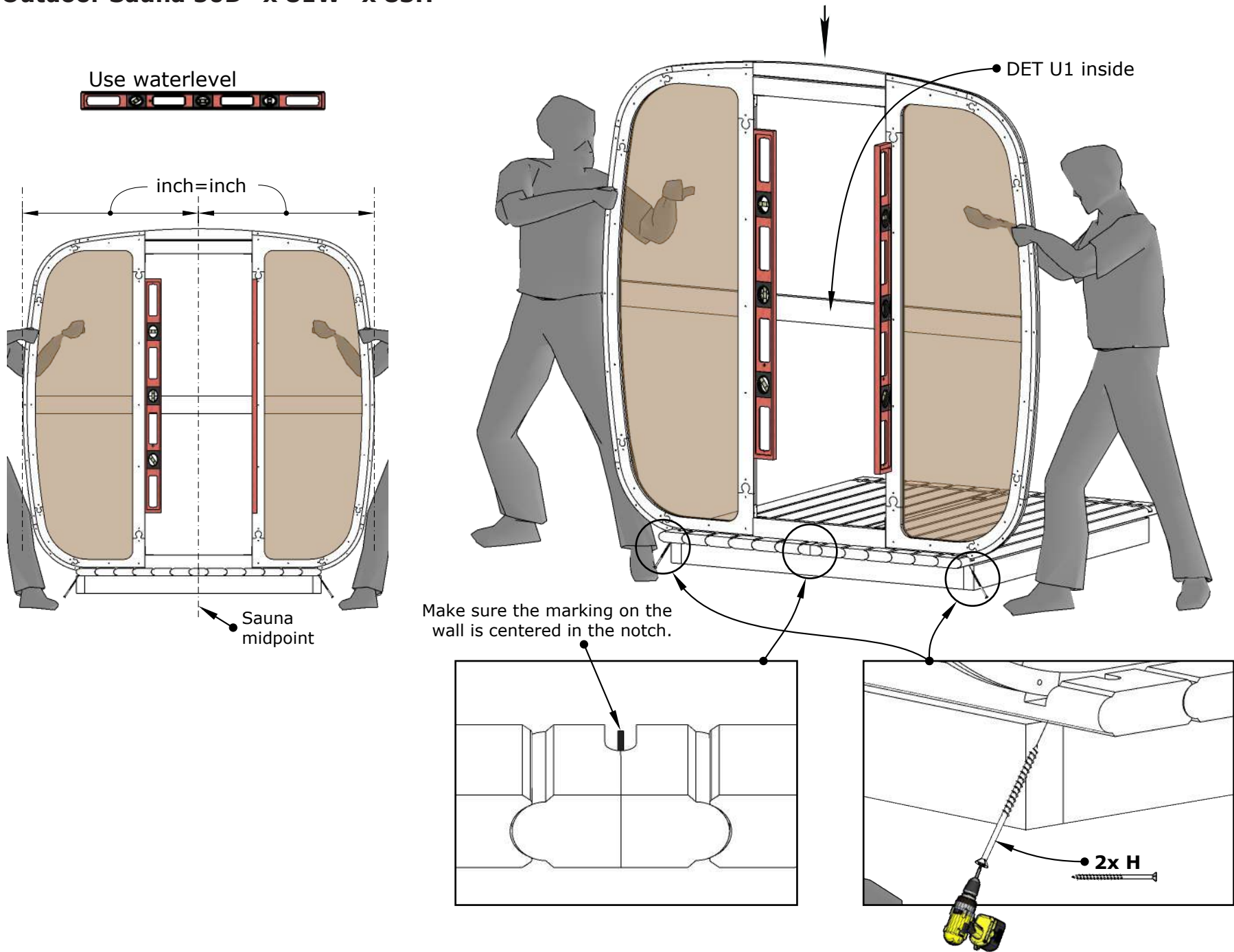
Attention! Be extra careful to not hit the glass!!!

CL4G Outdoor Sauna 50D" x 81W" x 83H"

Wooden back wall assembly

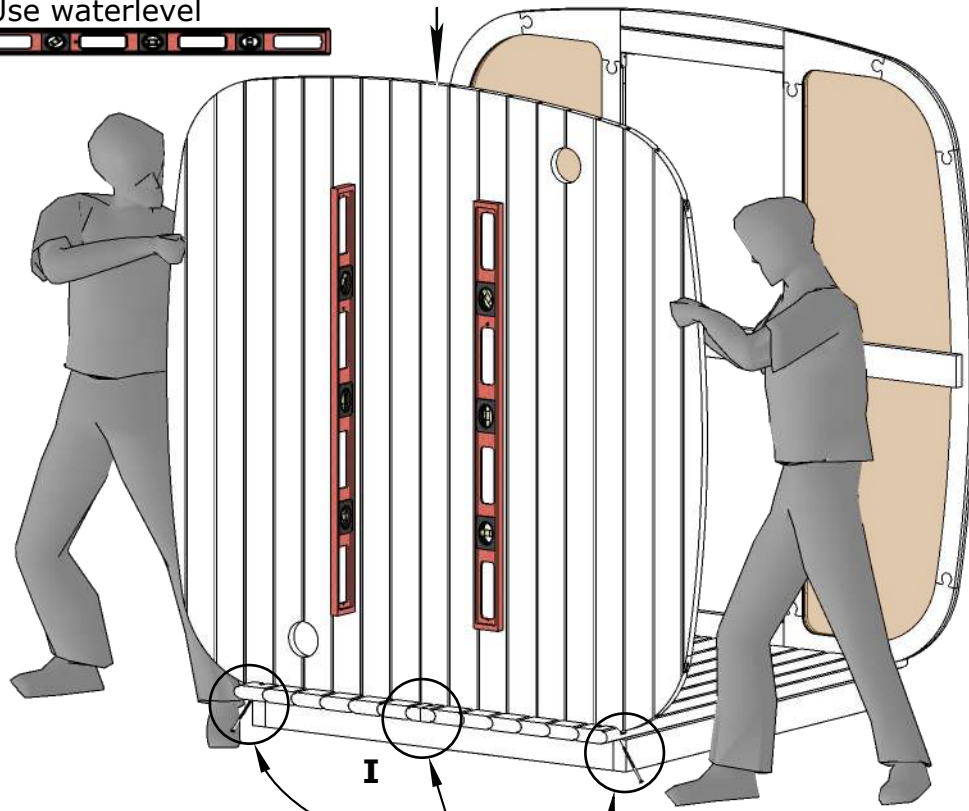


CL4G Outdoor Sauna 50D" x 81W" x 83H"

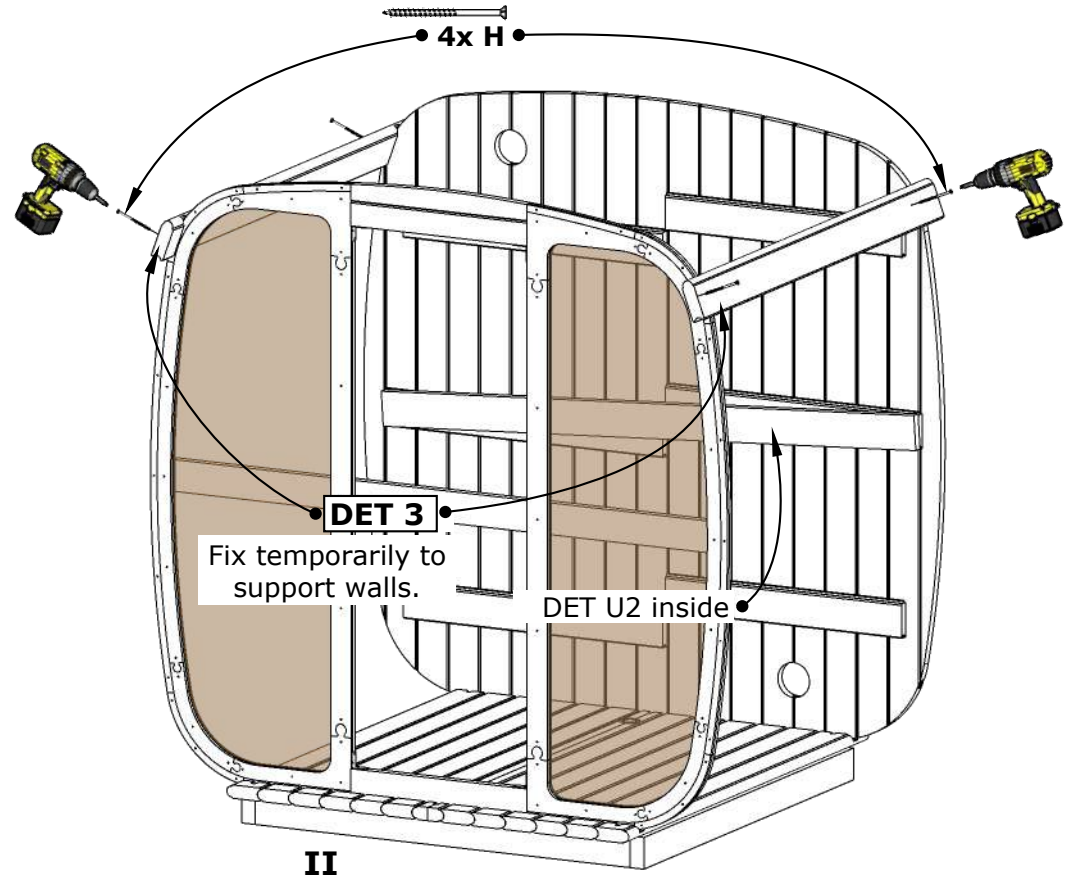
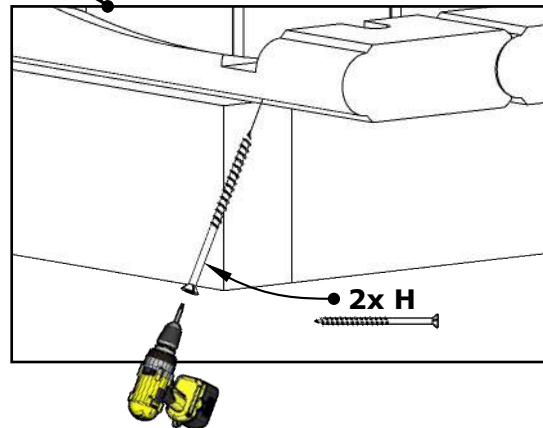
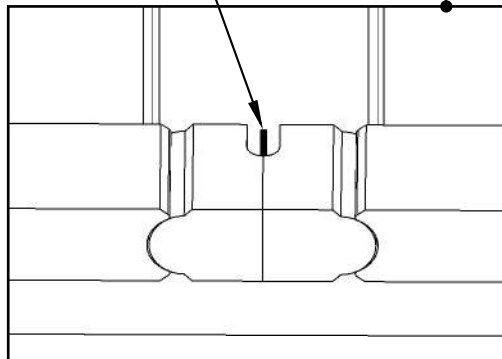


CL4G Outdoor Sauna 50D" x 81W" x 83H"

Use waterlevel



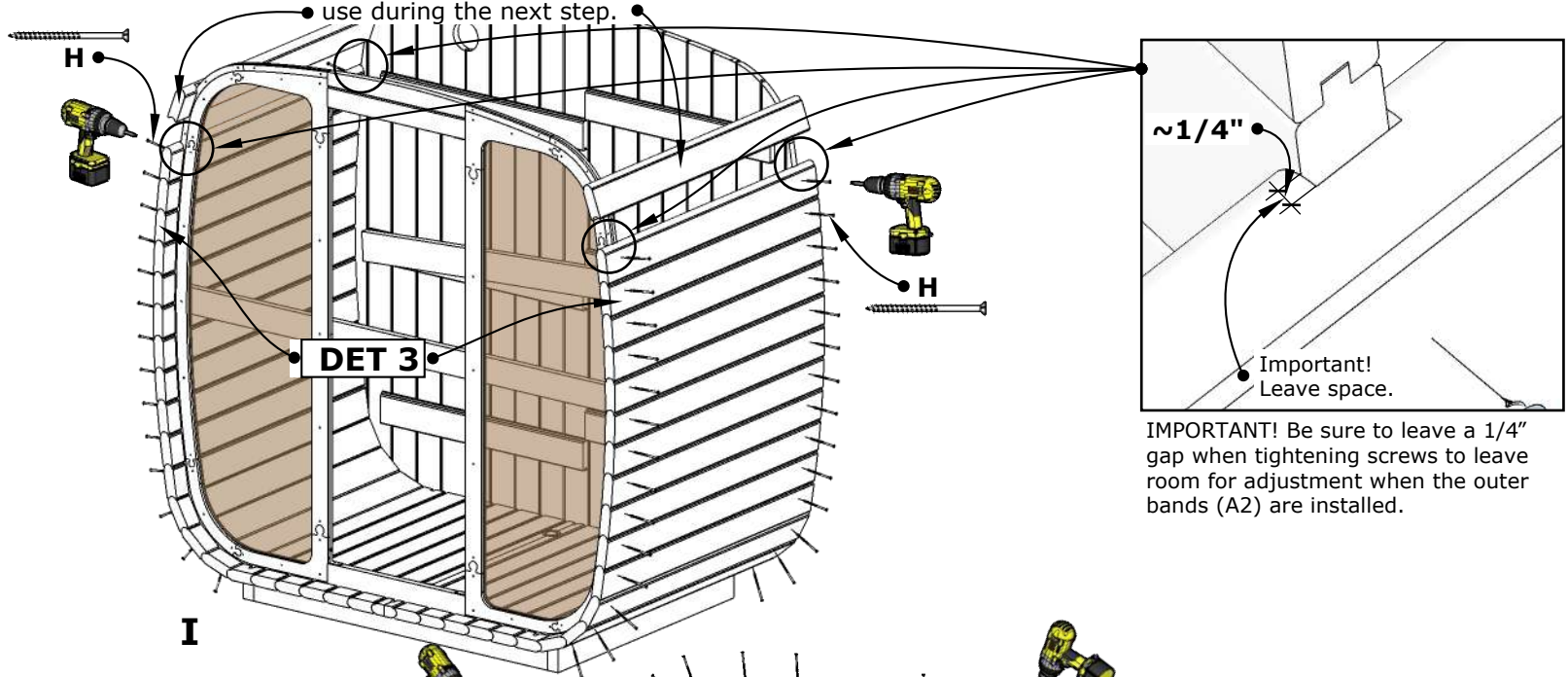
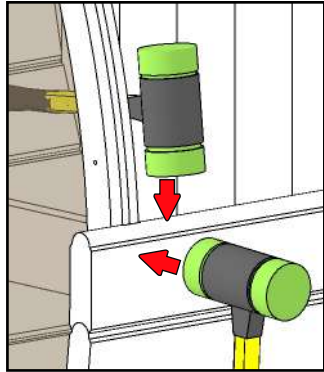
Make sure the marking on the wall is centered in the notch.



CL4G Outdoor Sauna 50D" x 81W" x 83H"

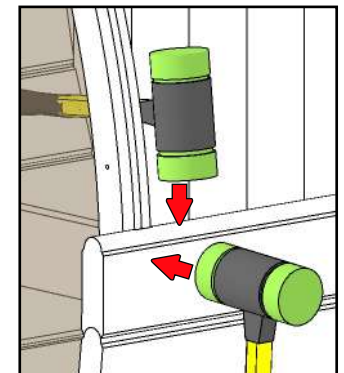
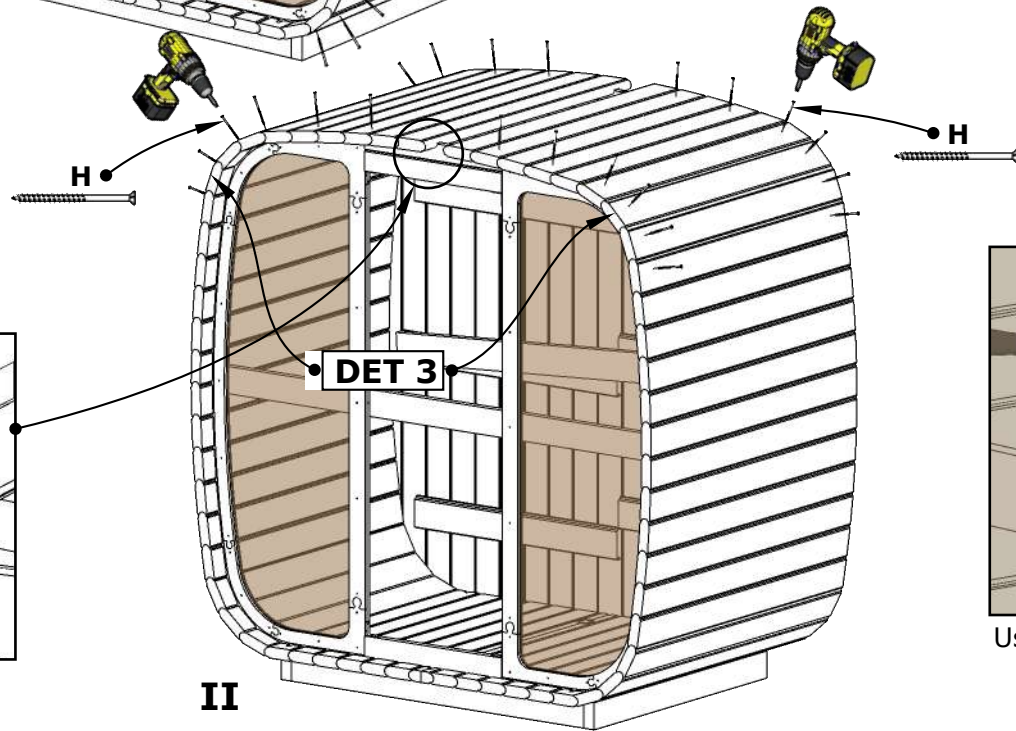
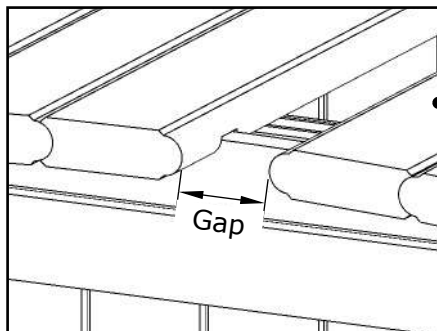
Remove DET 3 from their temporary positions and use during the next step.

Use rubber mallet!



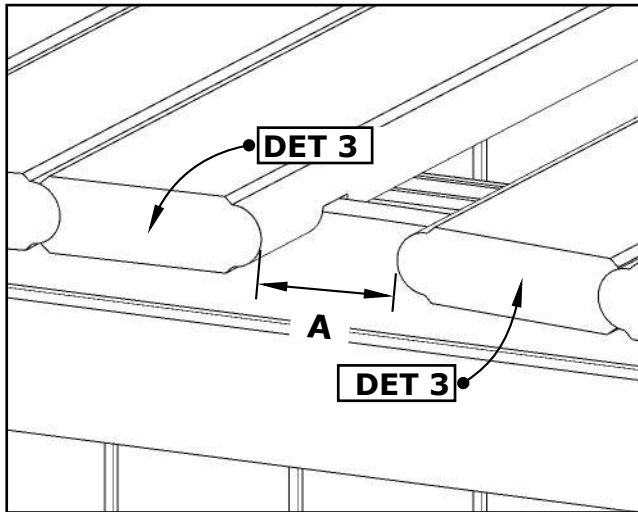
IMPORTANT! Be sure to leave a 1/4" gap when tightening screws to leave room for adjustment when the outer bands (A2) are installed.

See the next page.

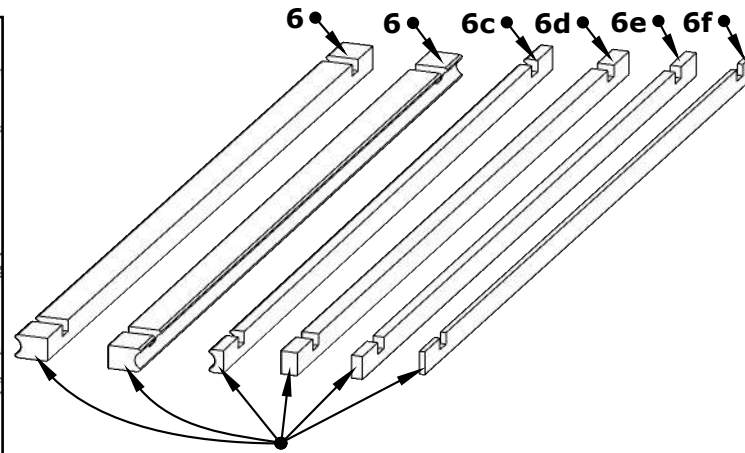


Use rubber mallet!

CL4G Outdoor Sauna 50D" x 81W" x 83H"

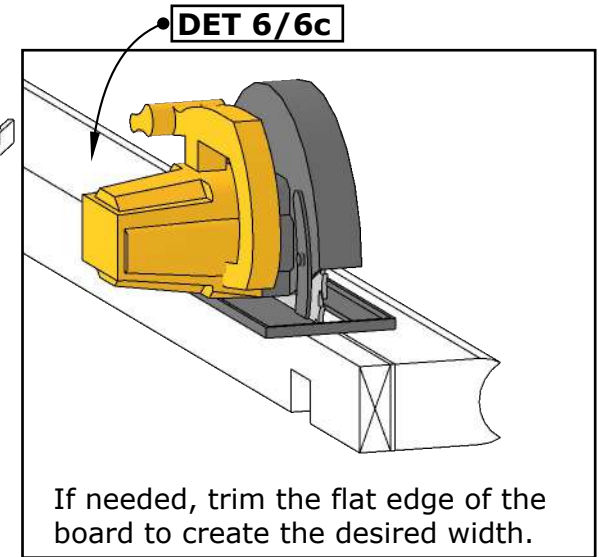


I

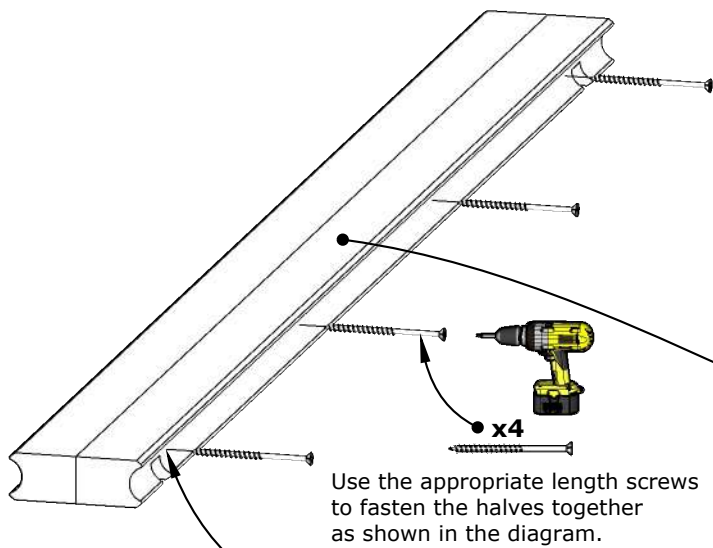


Join boards together (as shown in diagram III) that will bridge the width of the "A" gap. It is recommended that the combined boards are approximately 1/4" wider than the gap.

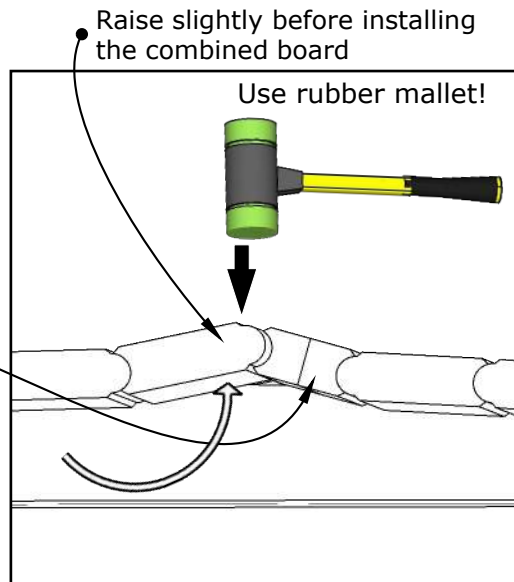
II



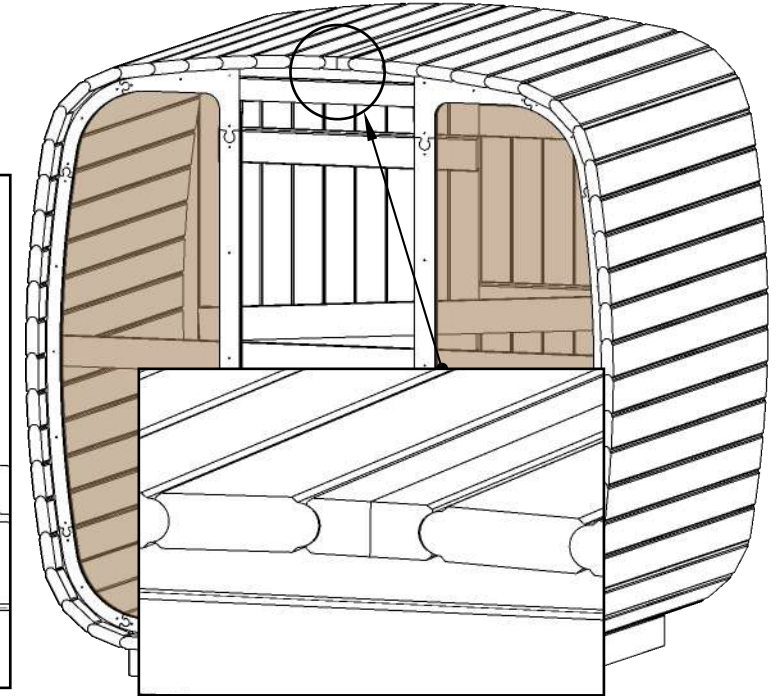
If needed, trim the flat edge of the board to create the desired width.



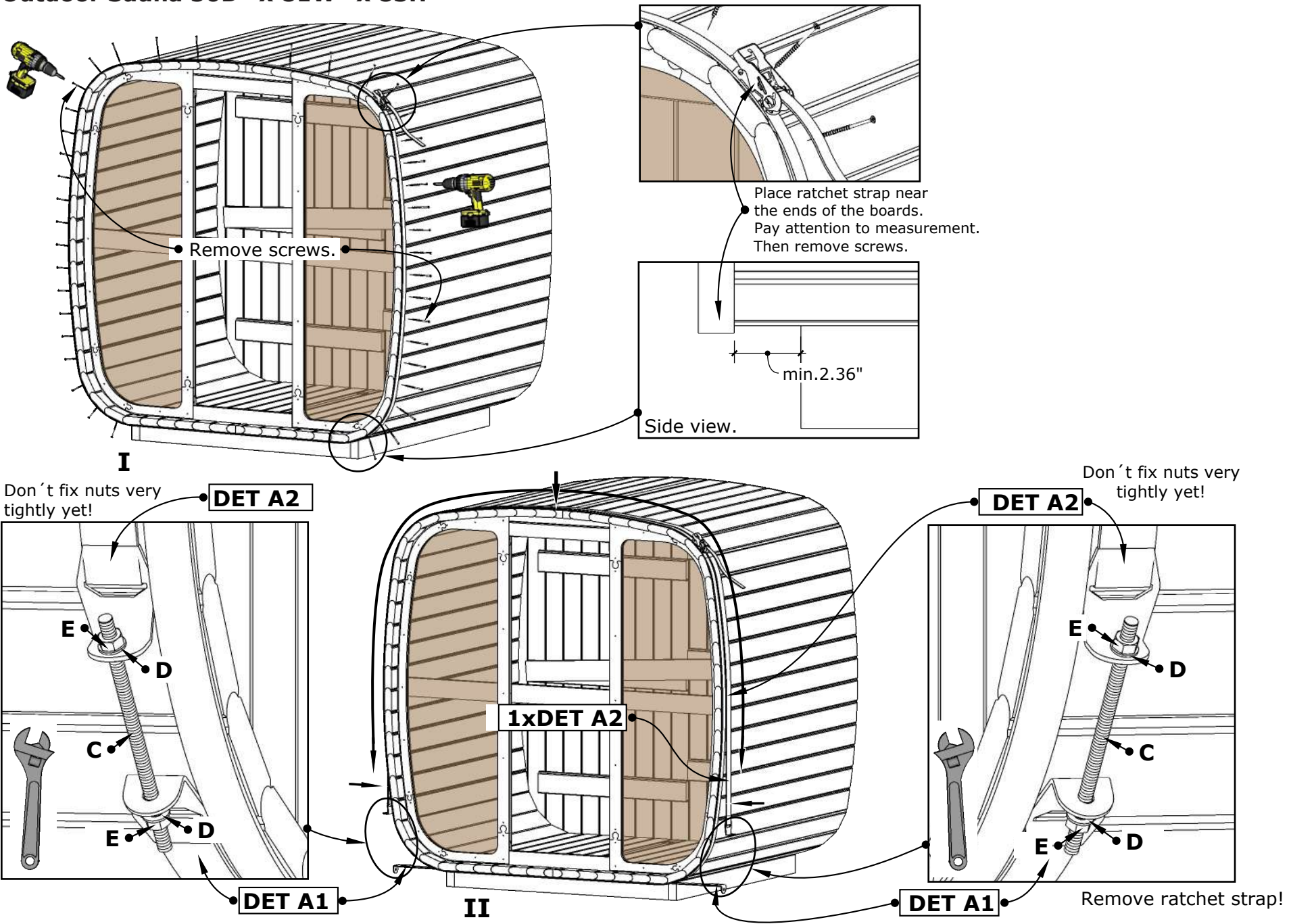
III



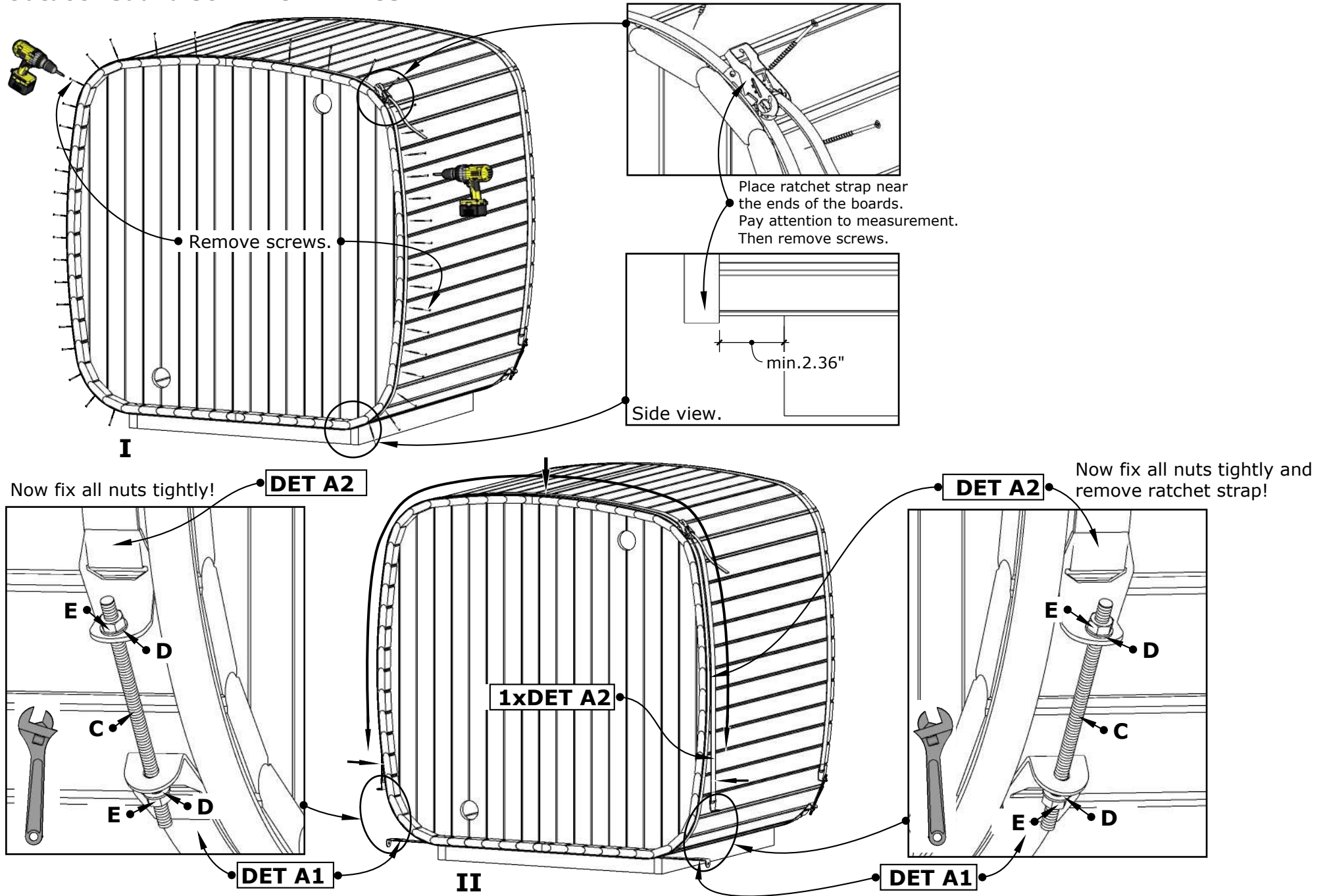
IV



CL4G Outdoor Sauna 50D" x 81W" x 83H"

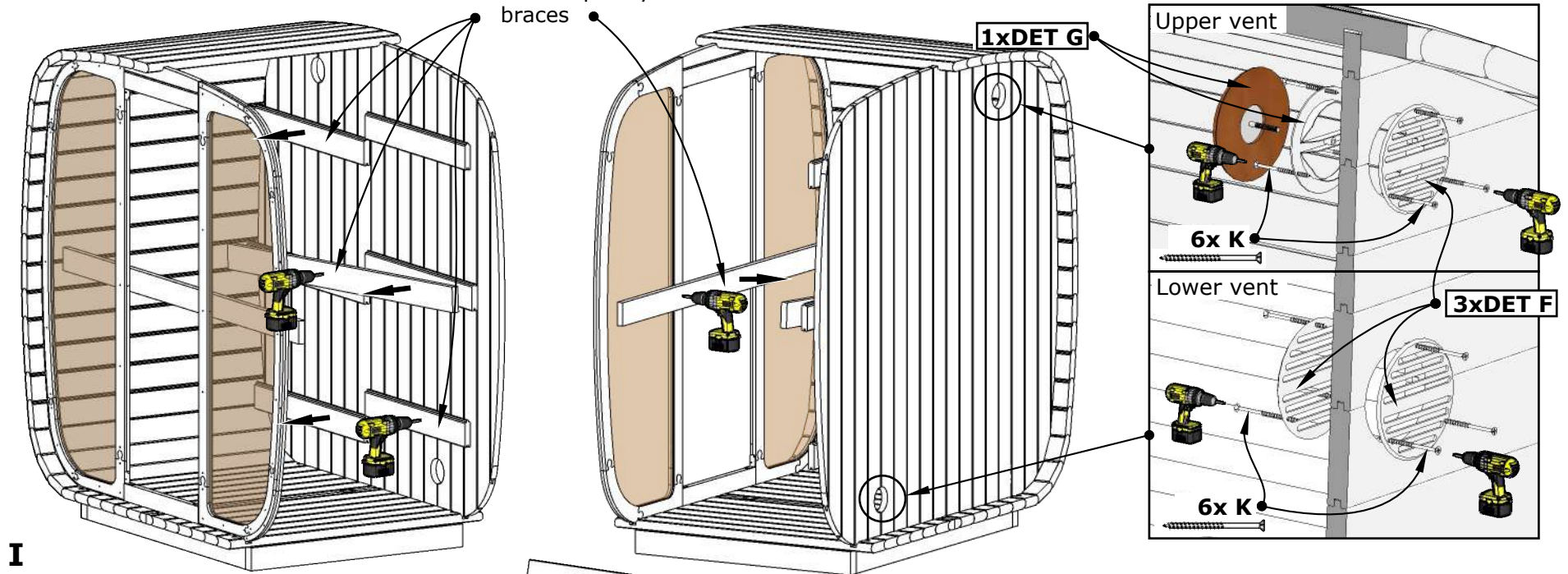


CL4G Outdoor Sauna 50D" x 81W" x 83H"

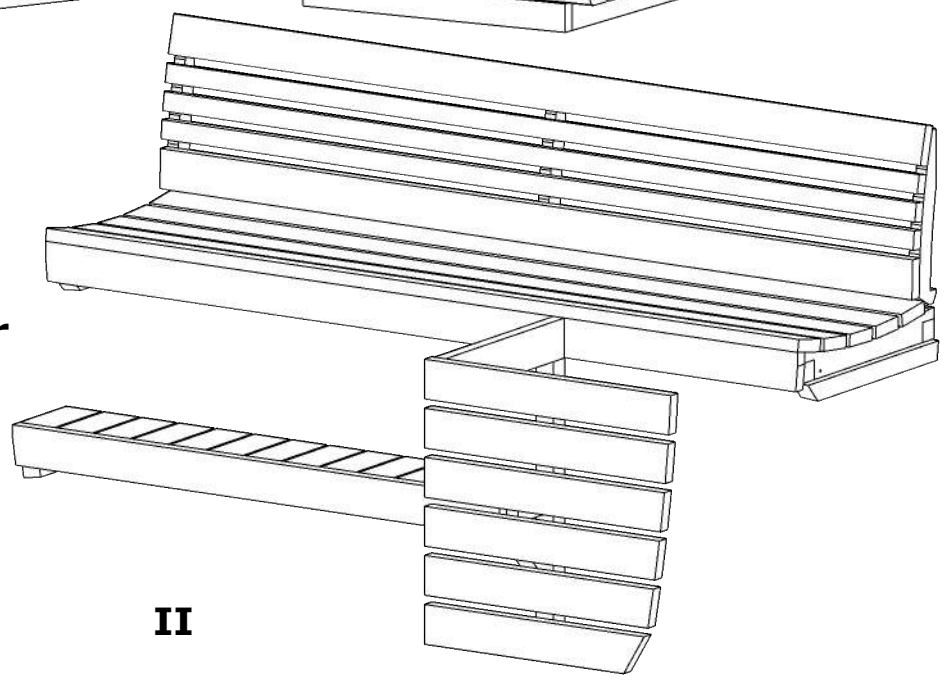


CL4G Outdoor Sauna 50D" x 81W" x 83H"

Remove all temporary braces

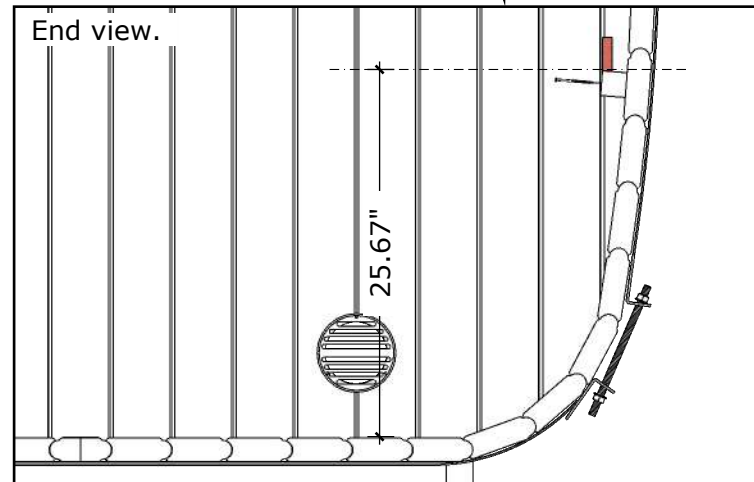
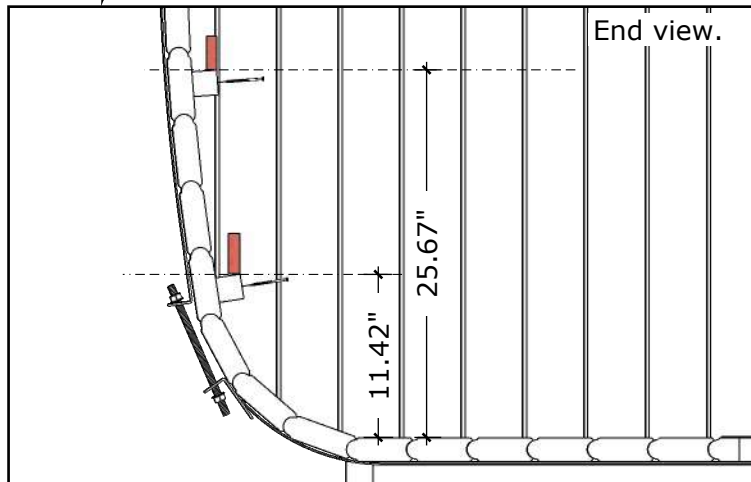
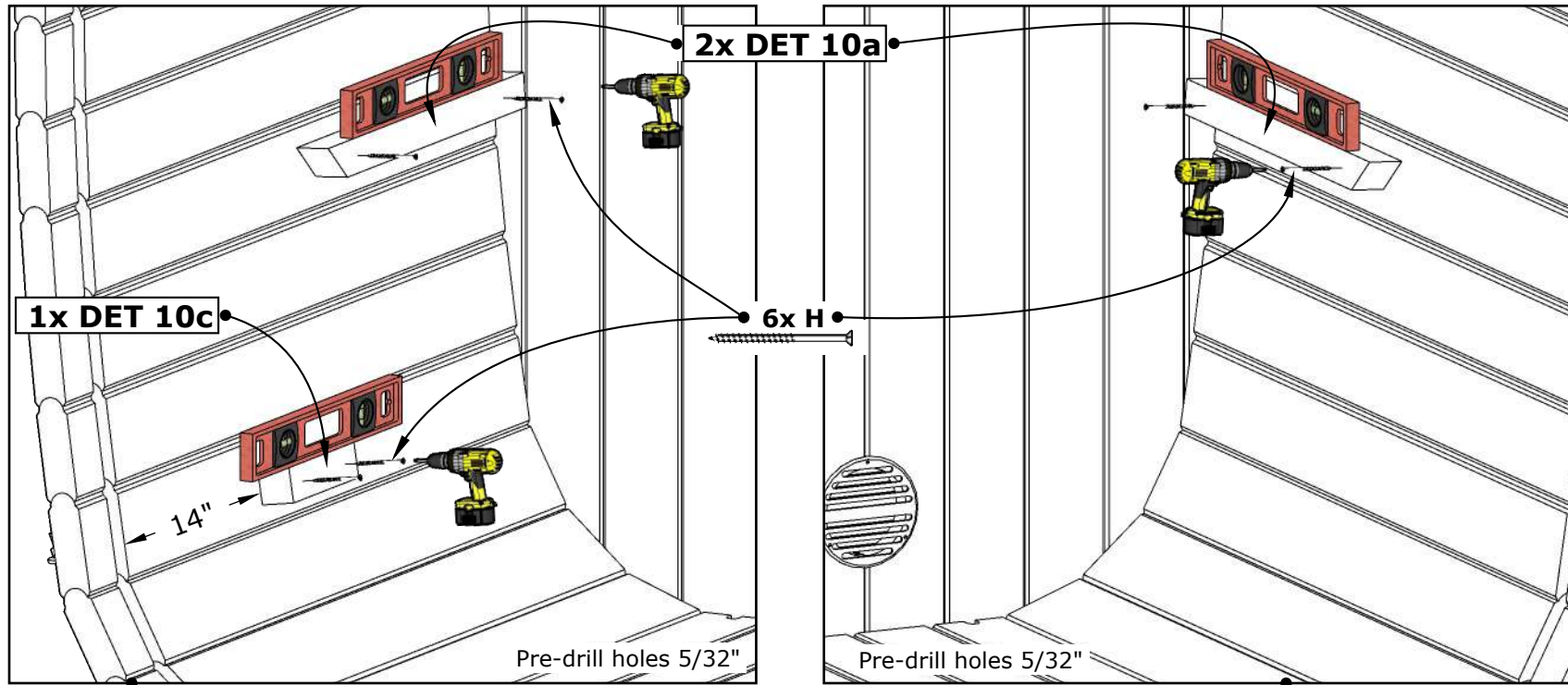


Interior

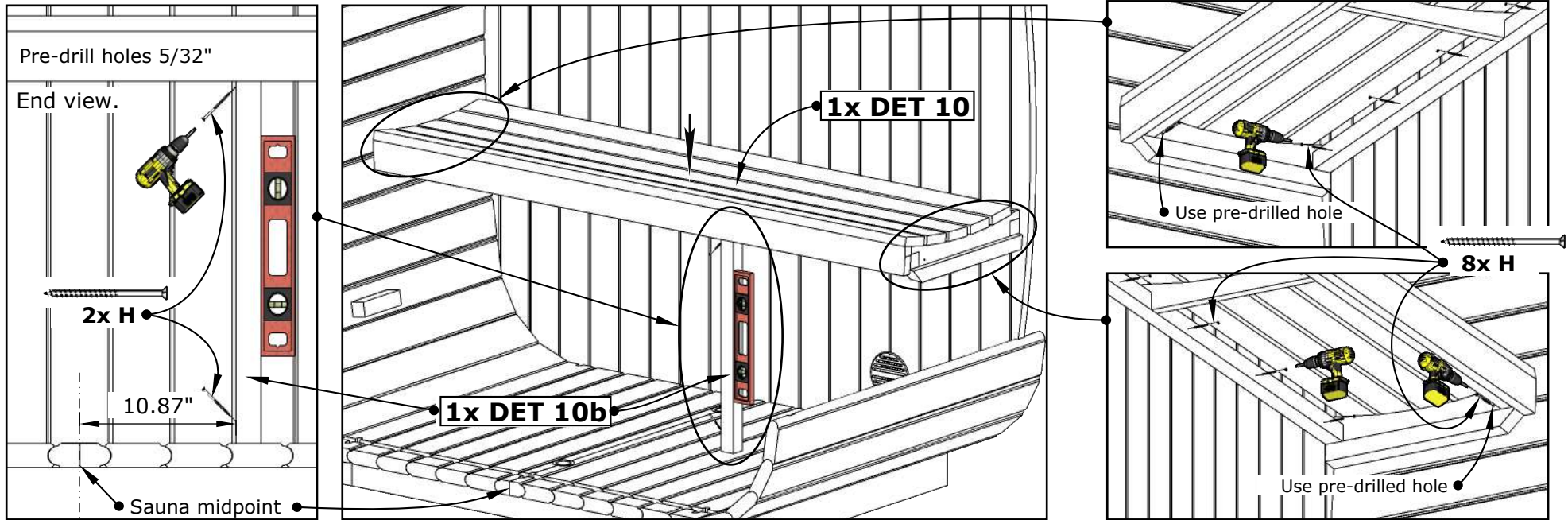


CL4G Outdoor Sauna 50D" x 81W" x 83H"

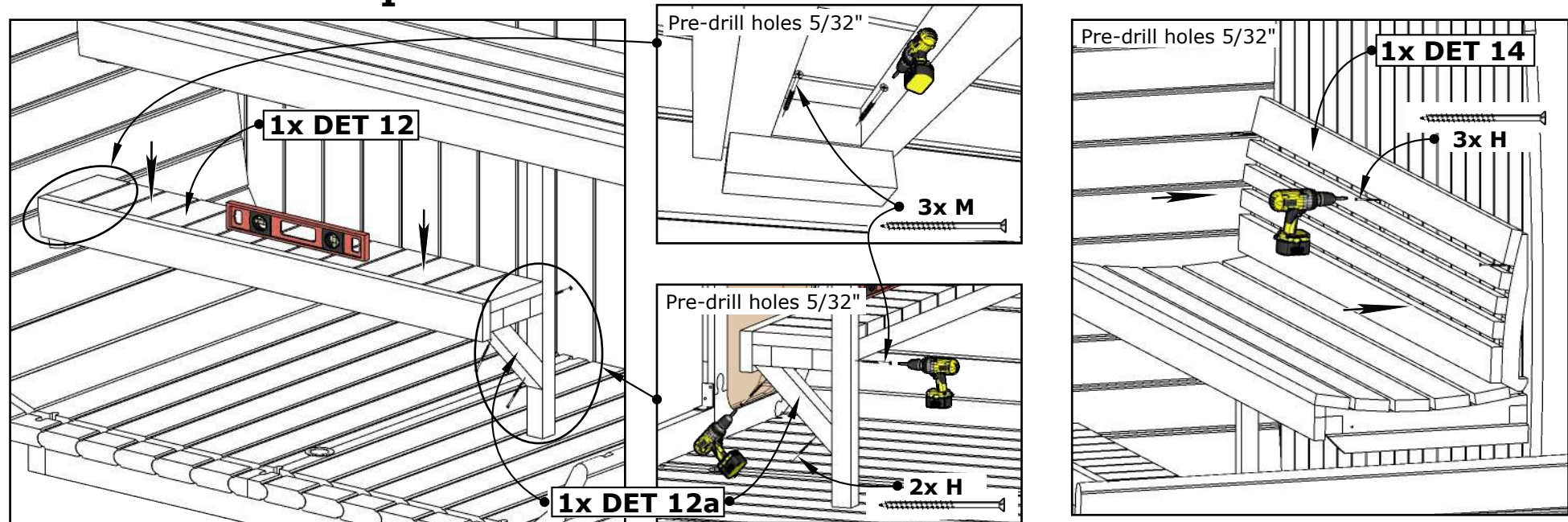
Use waterlevel for installation!



CL4G Outdoor Sauna 50D" x 81W" x 83H"



I



II

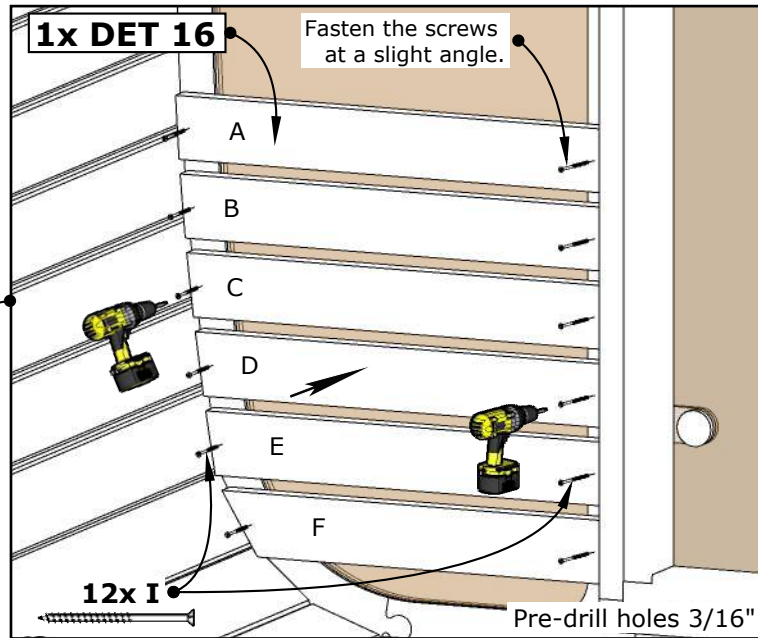
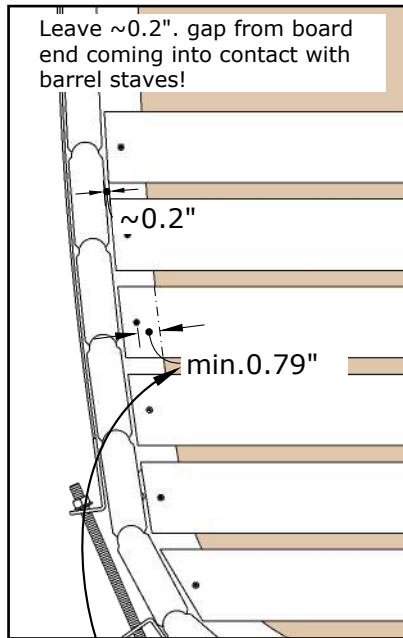
III

CL4G Outdoor Sauna 50D" x 81W" x 83H"



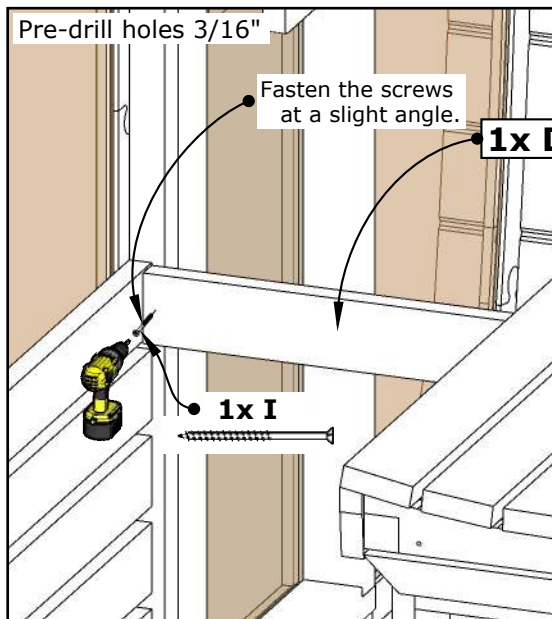
CL4G Outdoor Sauna 50D" x 81W" x 83H"

Please be careful!!! Do not hit the glass with the screw.

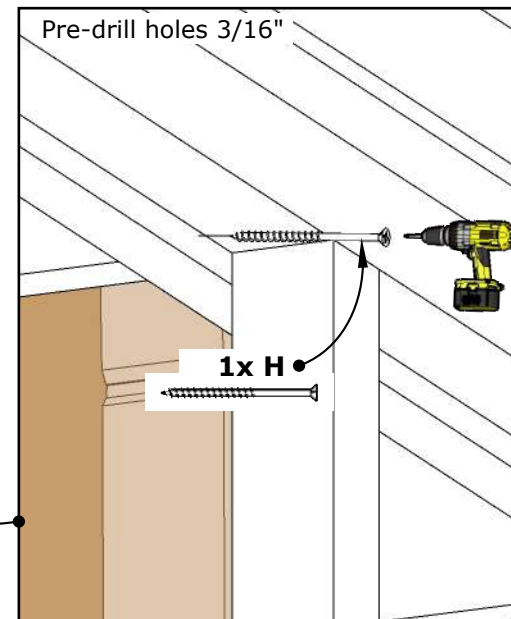
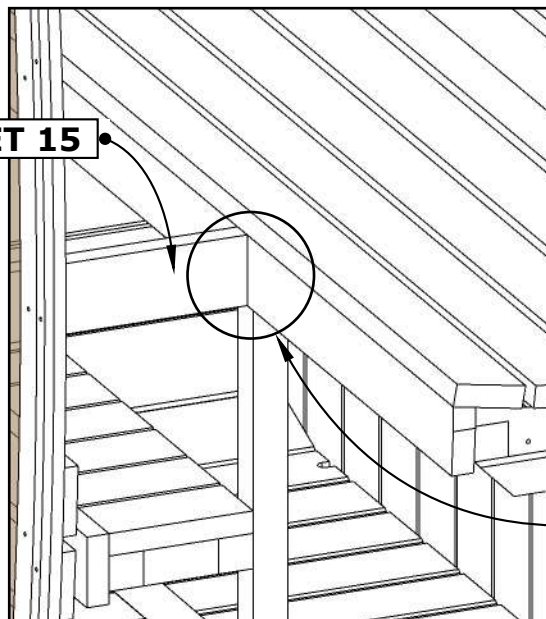


Please be careful!!! Do not hit the glass with the screw.

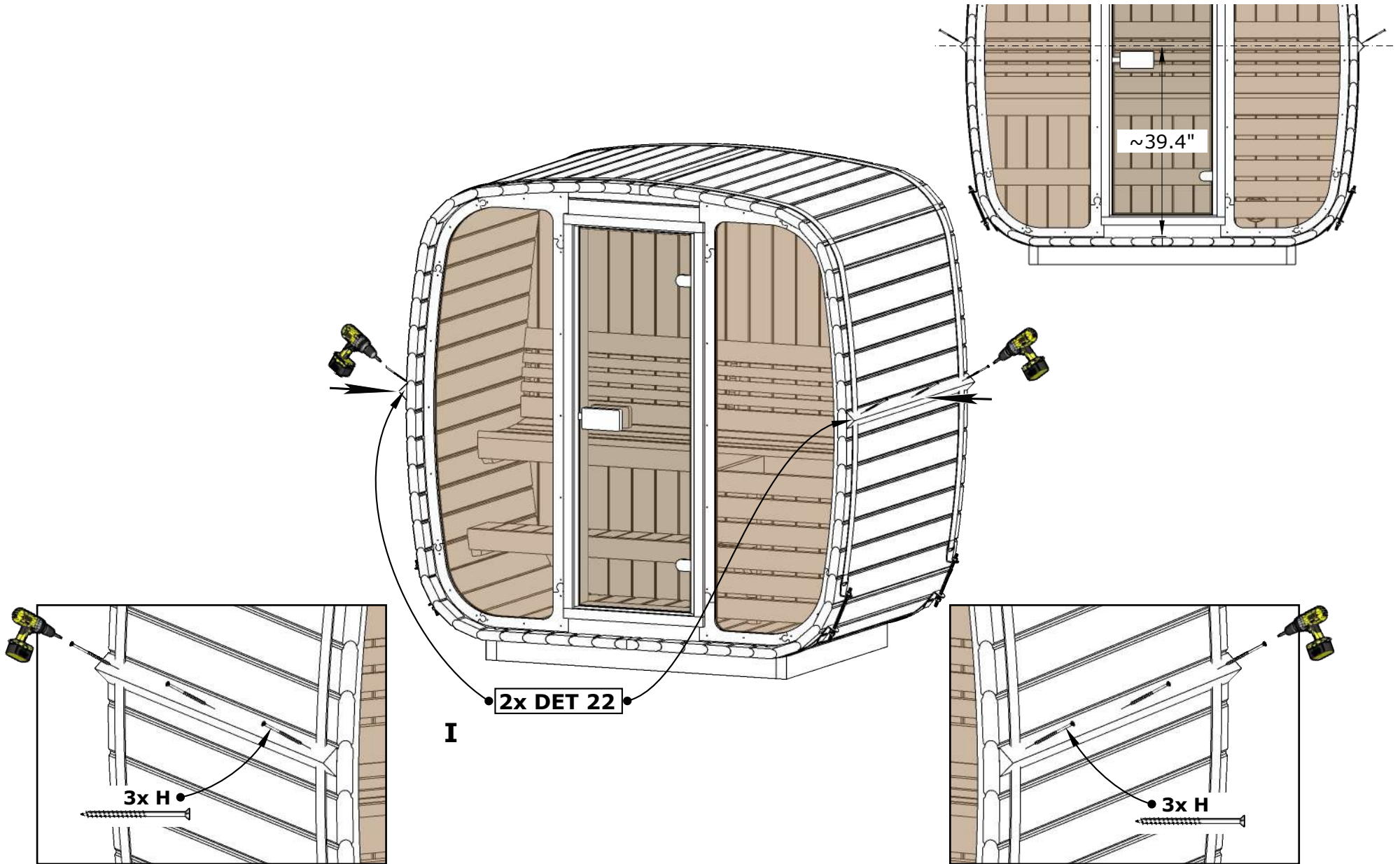
I



II



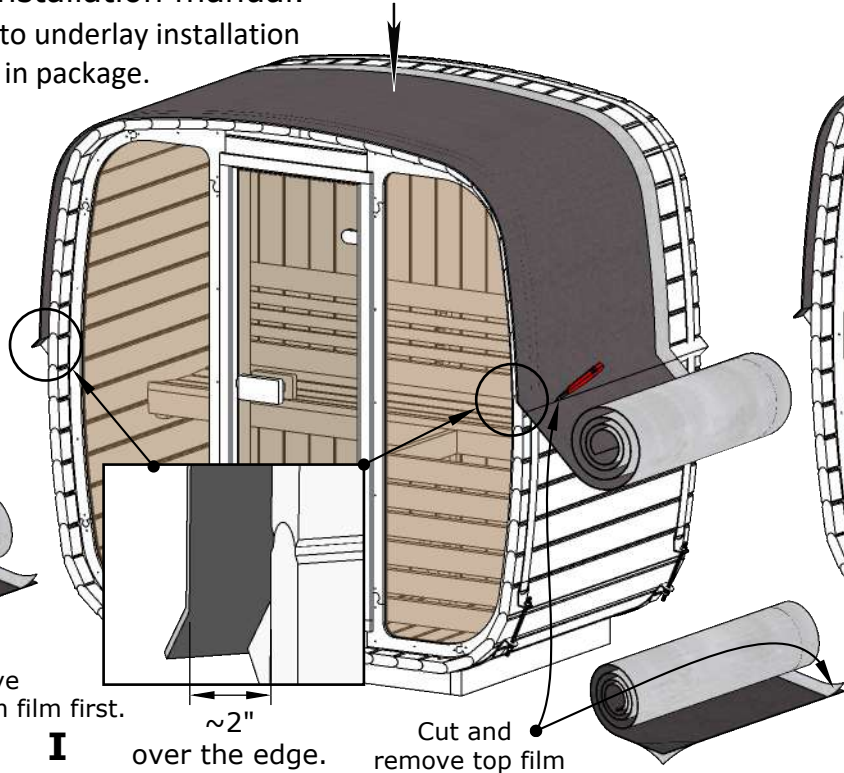
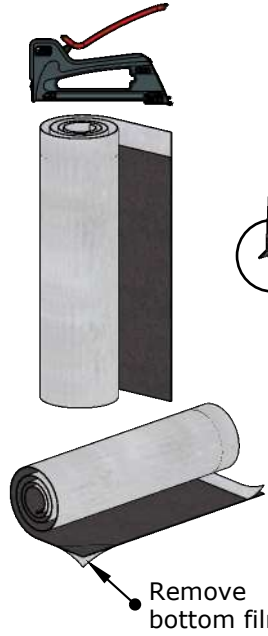
CL4G Outdoor Sauna 50D" x 81W" x 83H"



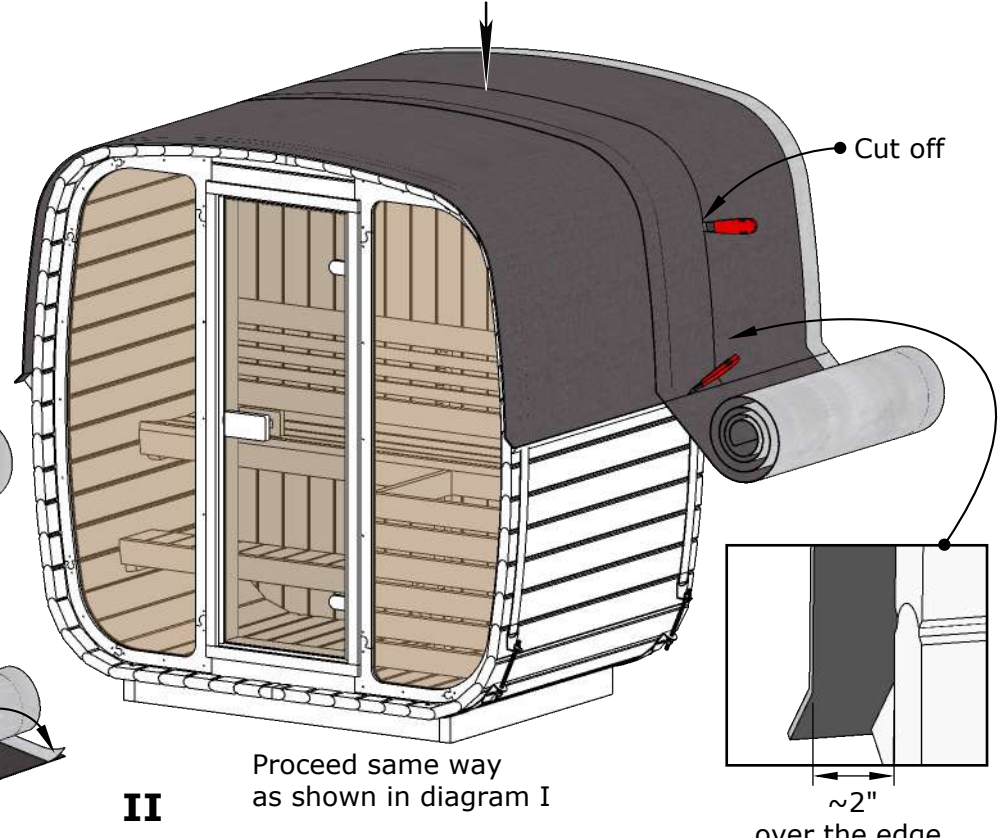
CL4G Outdoor Sauna 50D" x 81W" x 83H"

Underlay felt installation manual.

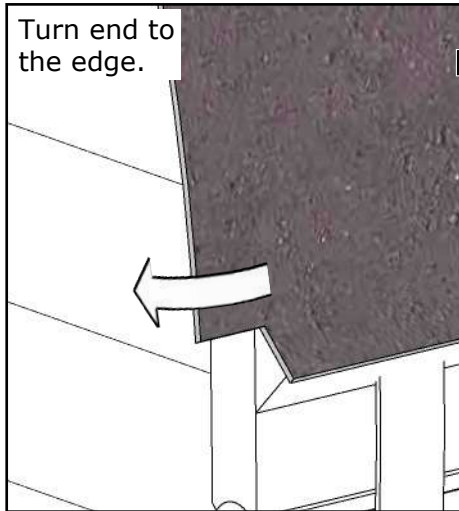
Attention! Refer to underlay installation manual provided in package.



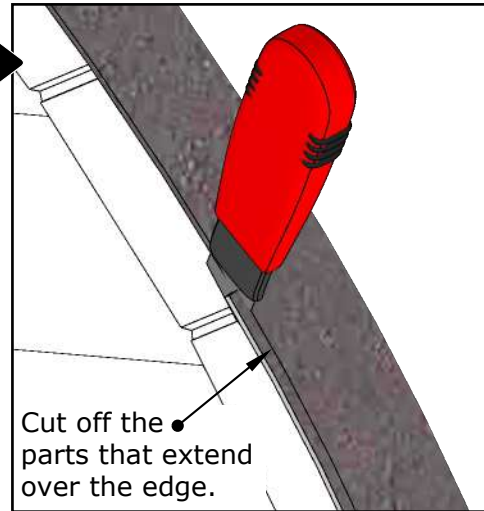
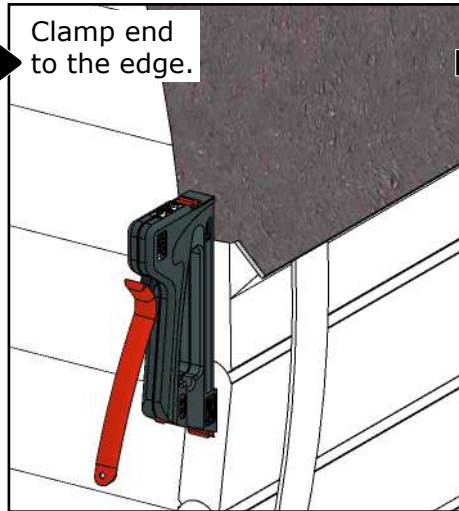
I



II

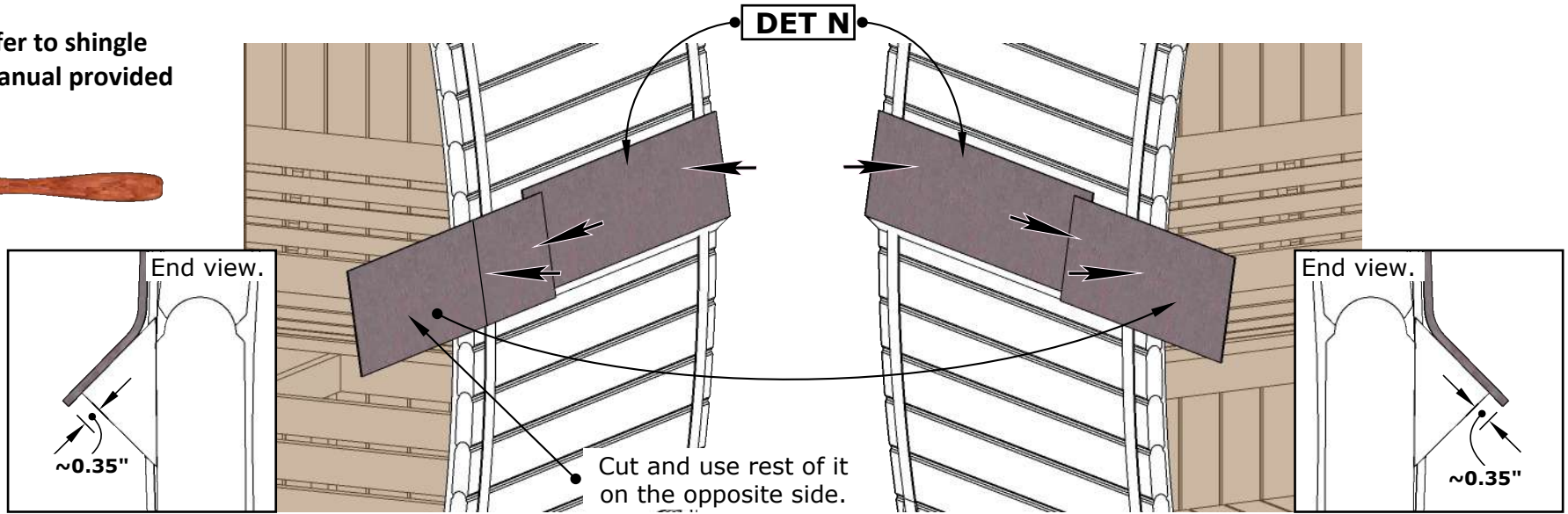


III

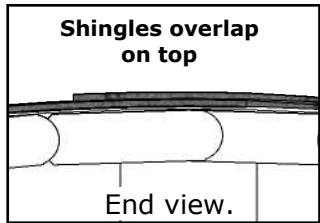


CL4G Outdoor Sauna 50D" x 81W" x 83H"

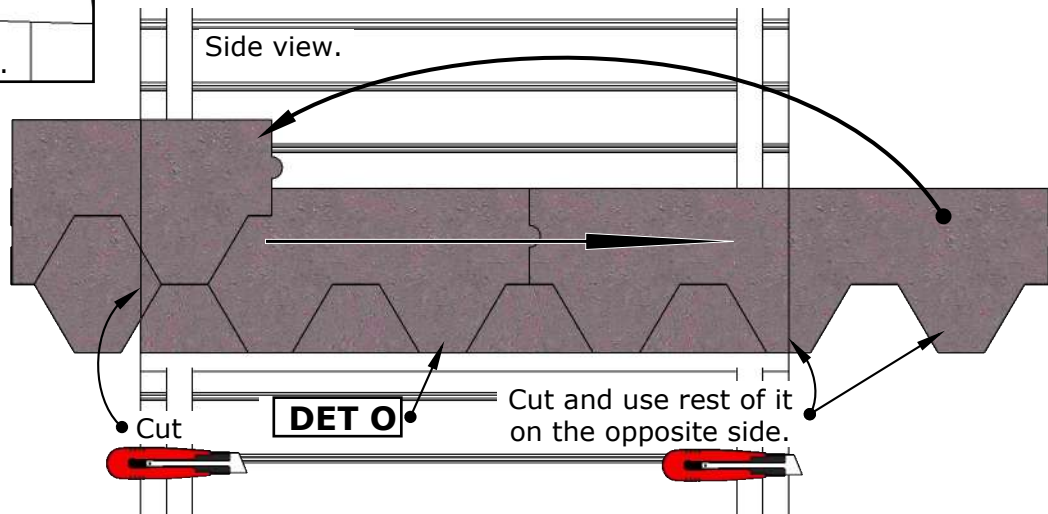
Attention! Refer to shingle installation manual provided in package.



I

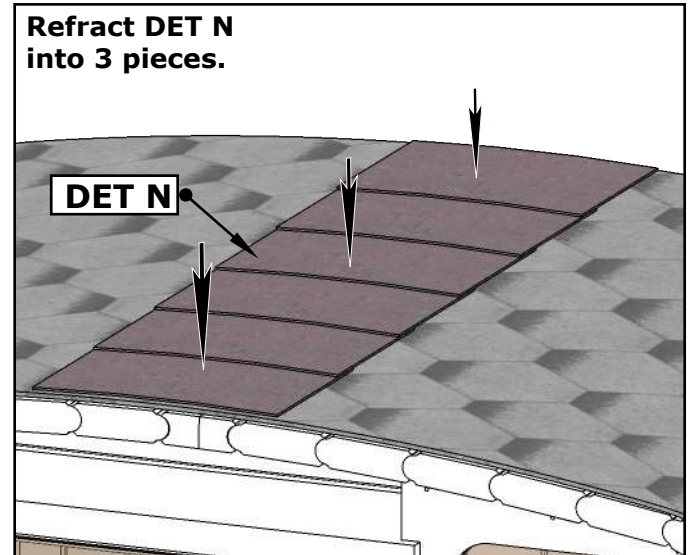


Attention! Refer to shingle installation manual provided in package.



II

Attention! Refer to shingle installation manual provided in package.



III

CL4G Outdoor Sauna 50D" x 81W" x 83H"

