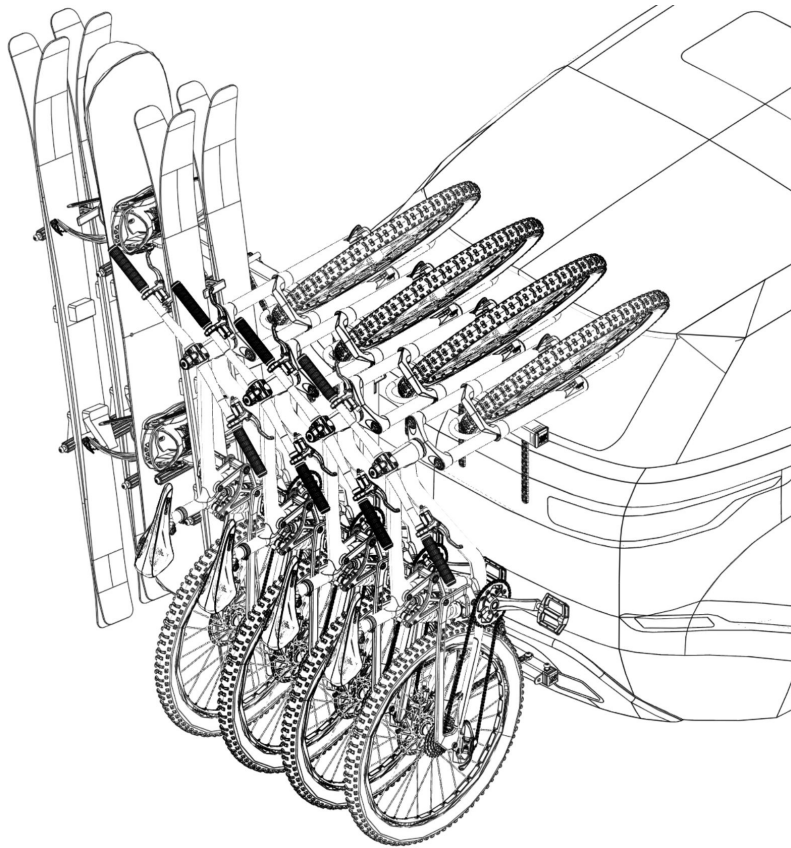


VelociRAX

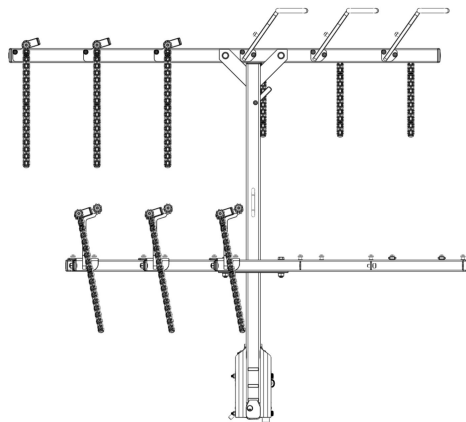
Rack'em Fast



Latest instructions
and videos:

[www.velocirax.com/
pages/assembly](http://www.velocirax.com/pages/assembly)

Ski & Snowboard Adaptor, Instruction Manual



Ski and Snowboard Transport with VelociRAX (rack, skis and boards not included)



WARNINGS AND PRECAUTIONS

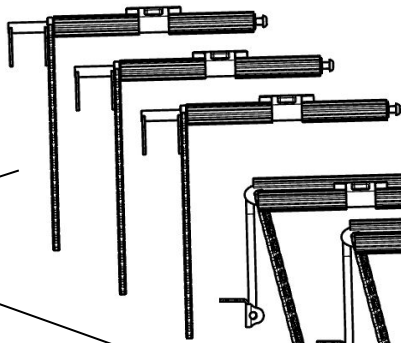
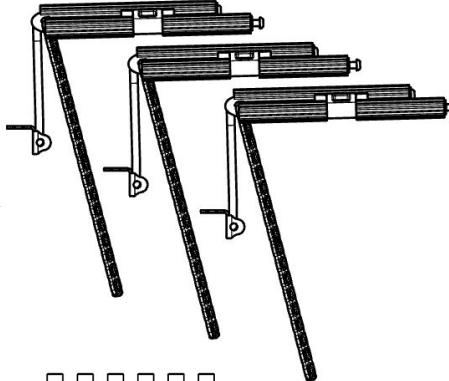
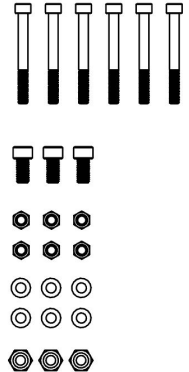


- **KNOW YOUR VEHICLE / LOADED SKI HEIGHT BEFORE YOU DRIVE INTO A PUBLIC OR PRIVATE PARKING GARAGE. SKIS EXTEND ABOVE MANY VEHICLES.**
- **CONFIRM BOTH TOP AND BOTTOM STRAPS ARE SECURED TIGHTLY WITH VELOCIRAX STRAPS FOR TRANSPORTING.**
- **PLACE THE STOP PIN IN THE NO HINGE POSITION (POSITION A) WHILE TRANSPORTING..**
- **DO NOT USE WITHOUT A PROPERLY INSTALLED HITCH PIN AND SECURED ANTI-RATTLE WEDGE.**
- **DO NOT HINGE A LOADED VELOCIRAX WITHOUT HINGE DAMPERS ENGAGED.**
- **DO NOT HINGE A LOADED VELOCIRAX WITH SKIS OR SNOWBOARDS UNLESS THEY ARE STRAPPED.**
- **DO NOT DRIVE VEHICLE WHILE THE VELOCIRAX IS IN THE HINGED OR LOADING POSITION.**
- **RACK CAPACITY - 230 lbs / 104 kg TOTAL AUXILIARY CAPACITY, 55 lbs / 25 kg CAPACITY PER SLOT**
- **USE CLASS III 2" (50 MM) HITCH WITH TONGUE CAPACITY OF 500 lbs**

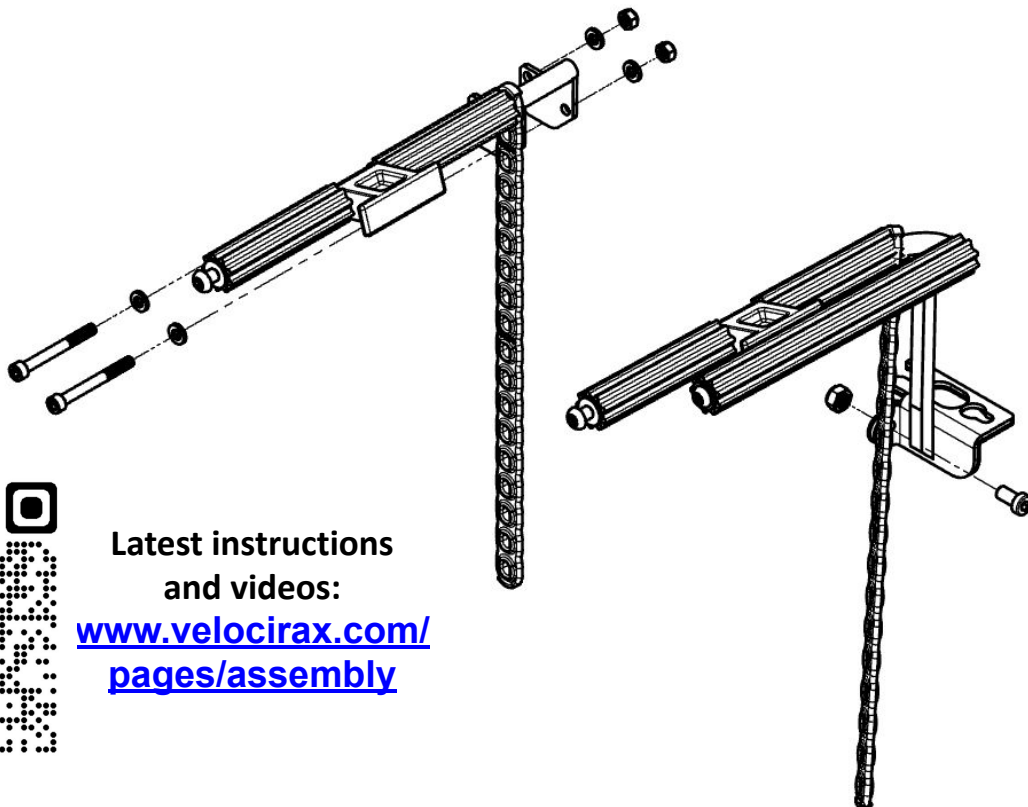
*Veloci***RAX**

PACKAGE CONTENTS

Box 1. Ski & Snowboard Adaptor Components

1. (3) Top Assembly 
2. (3) Bottom Assembly 
3. Assembly Hardware 
 - a. (6) 75mm Bolts
 - b. (3) 20mm Bolts
 - c. (6) 8mm Lock Nuts
 - d. (6) Washers
 - e. (3) 10mm Lock Nuts

SKI & SNOWBOARD ADAPTOR DIAGRAM



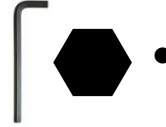
Latest instructions
and videos:
[www.velocirax.com/
pages/assembly](http://www.velocirax.com/pages/assembly)

TOOLS REQUIRED FOR ASSEMBLY

Wrench
or socket



• 13 mm
• 17 mm



• 6 mm

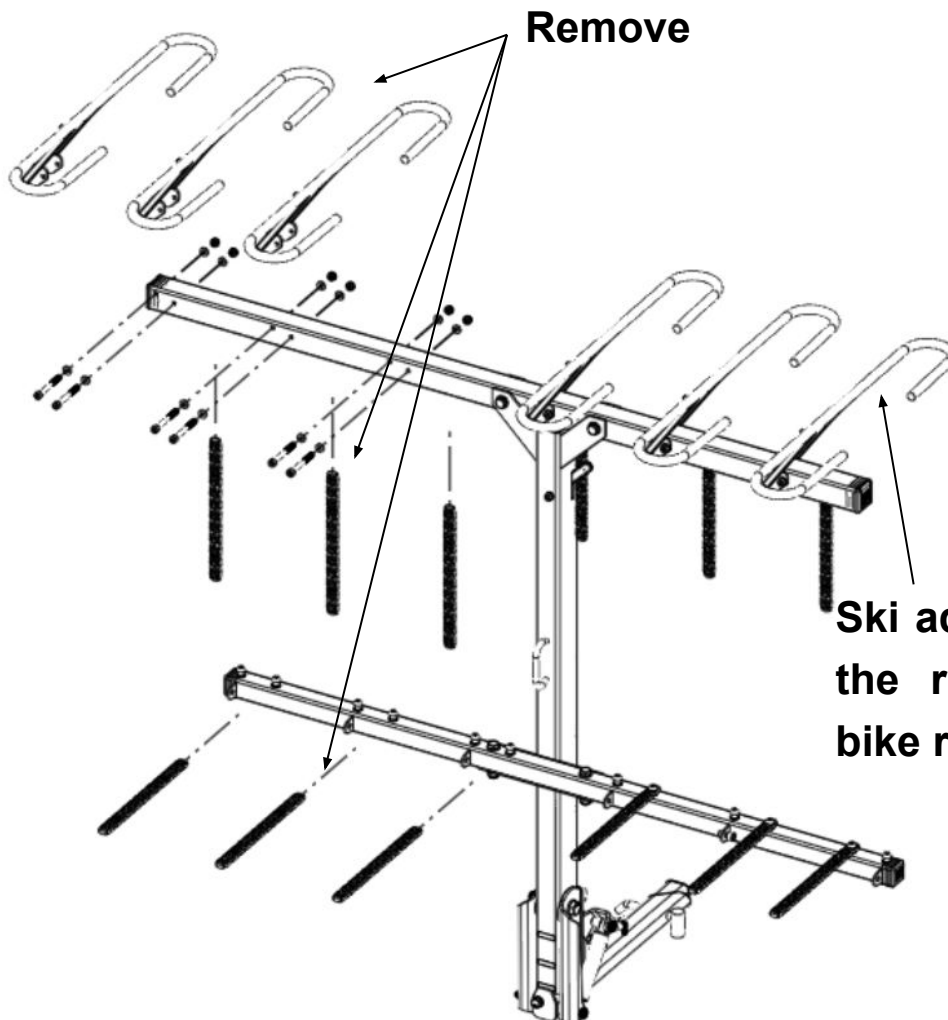
ASSEMBLY INSTRUCTIONS

Latest instructions and videos: www.velocirax.com/pages/assembly

Read all instructions carefully before proceeding



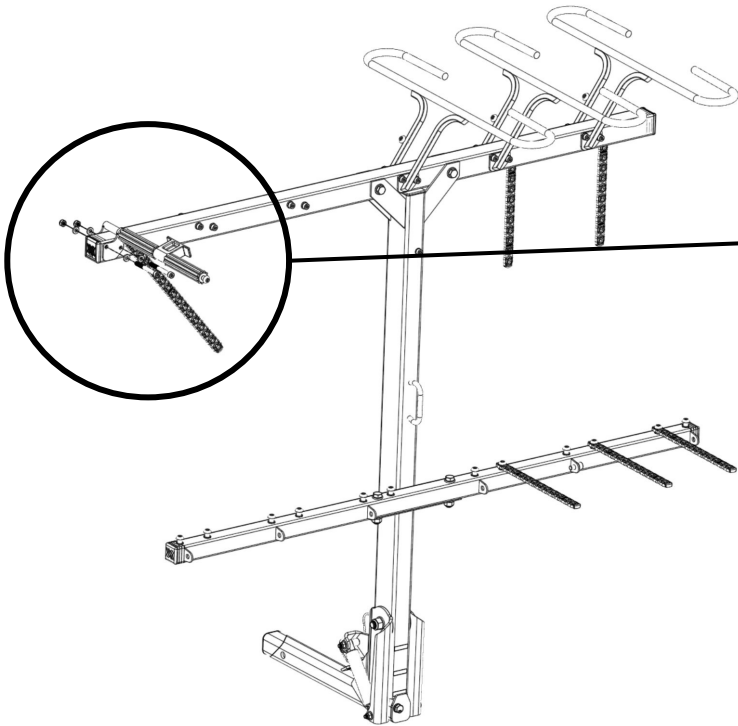
1. Remove Pre Existing Tire Hoops and Straps



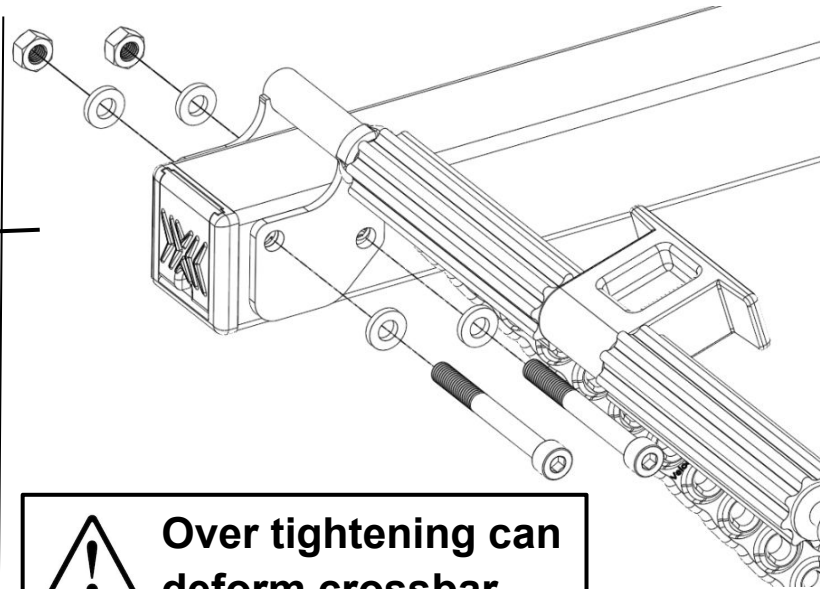
Ski adaptors will not work in the right most slot of the bike rack.

ASSEMBLY INSTRUCTIONS - CONTINUED



2. Install Top Mount With New Hardware and Tighten



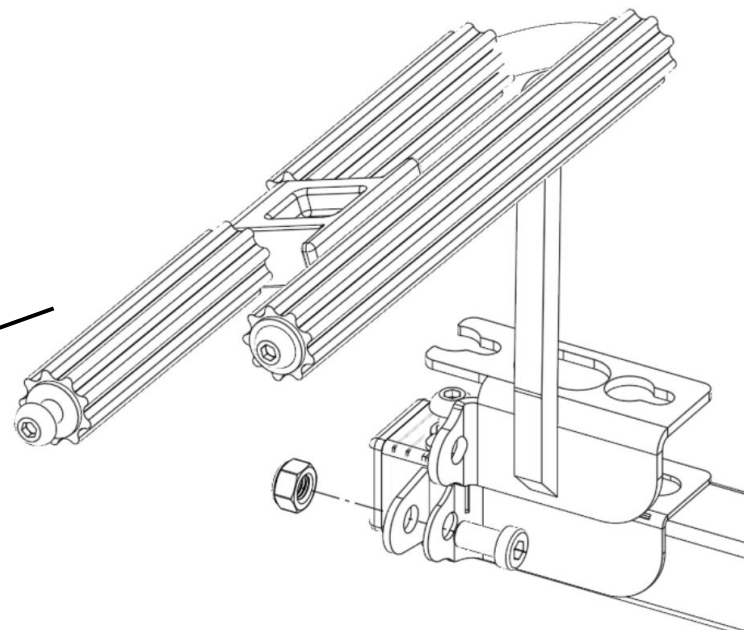
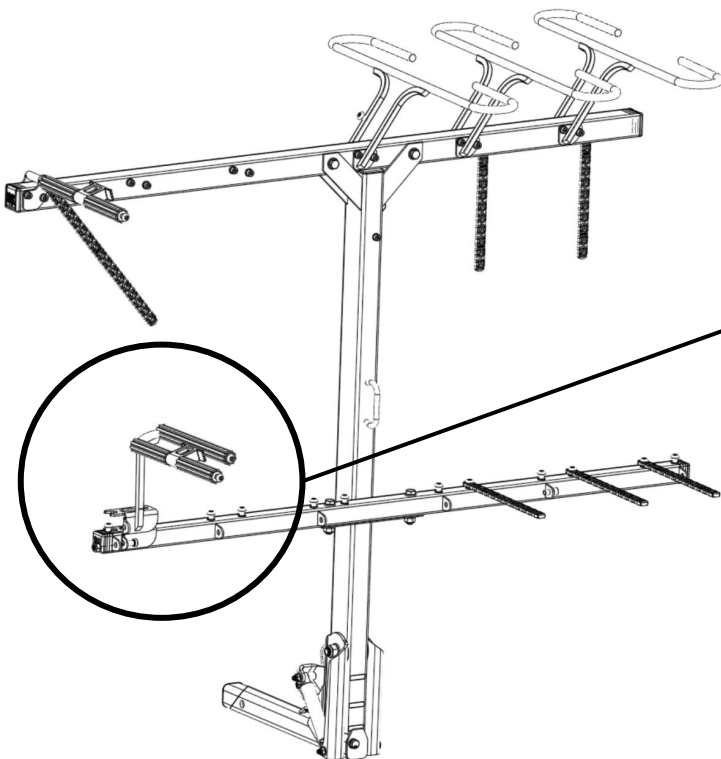
Install from left to right





 **Over tightening can deform crossbar**

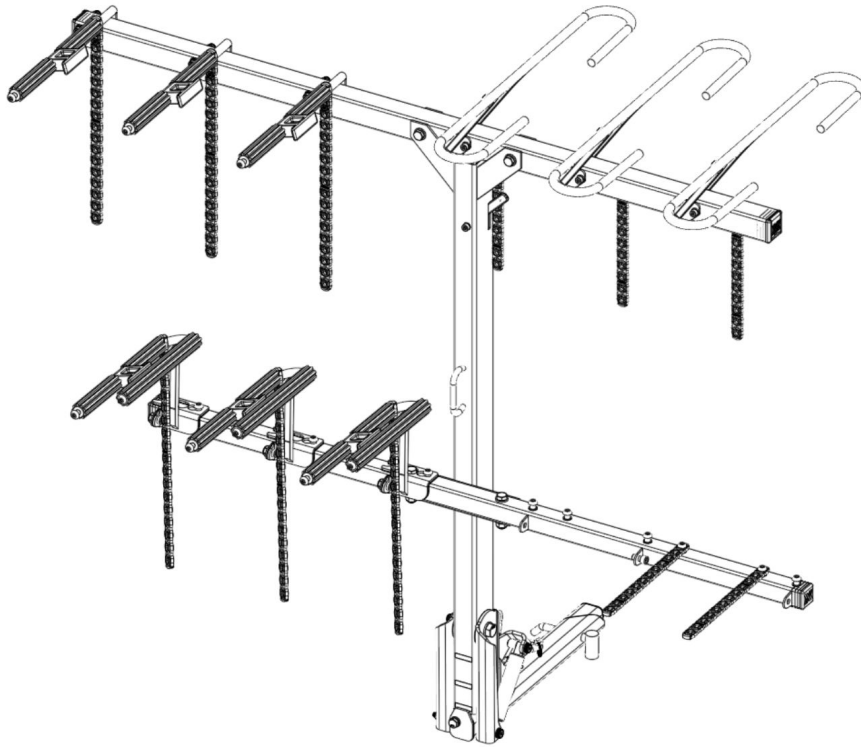
(2) 75mm long hex bolt, washers, and nylock nut
Tighten  13 mm  6 mm
(6 ft-lbs / 8 Nm)

3. Slide Bottom Mount Over Anchors and Slide to the Left and Tighten in Place

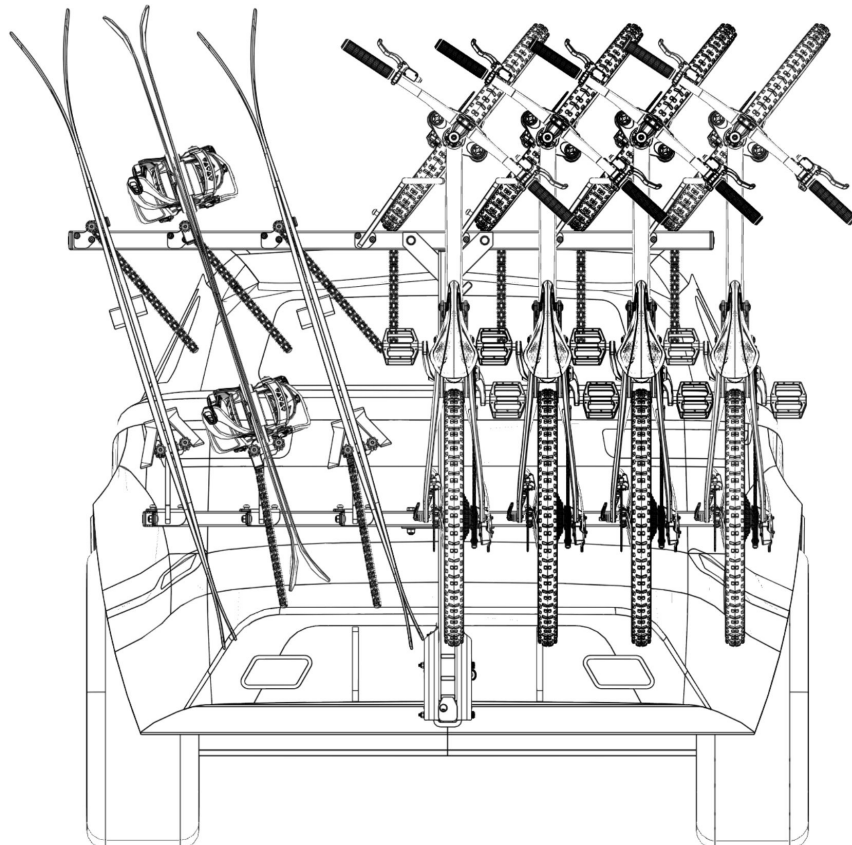


20mm inch hex bolt, washers, and nylock nut
Tighten  13 mm  6 mm
(7 ft-lbs / 9 Nm)

4. Repeat Steps 1 Through 3 Until All Adaptors are Installed



5. Mix and match skis, snowboards and bikes to fit your needs.





Congratulations on your VelociRAX purchase!

For support contact us at: Support@velocirax.com

For the latest version of these instructions, along with helpful instructional videos, please go to:

www.velocirax.com/pages/assembly

WARRANTY INFORMATION

2 Year Limited Warranty for defects in materials and/or workmanship for the original retail purchaser. This warranty does not cover normal wear and tear, scratches, accidents, misuse, or overloading.

CONTACT INFORMATION

VELOCIRAX

Email: support@velocirax.com

Web address: www.VelociRAX.com

Phone: 435.344.4446