

S3X.2

NEW GENERATION RC CAR

1/8 OFFROAD 4WD NITRO
RC PROFESSIONAL BUGGY



INSTRUCTION MANUAL

WIRC
PROFESSIONAL RC CAR

WWW.WIRC.RACING



INTRODUCTION

SBX is a new generation high quality 1/8 scale nitro off-road buggy.
SBX is supplied in a box, you can download the Instruction manual from www.wrc-racing.com
Its use is intended for more than 16 years old persons with experience on rc model car field.
Children and all the persons without this requirement MUST have direct supervision of a knowledgeable adult responsible.

SAFETY PRECAUTIONS

Instruction Manual MUST be read and fully understood before to start building and operating functions.
Always keep Instruction Manual in safety place, ready to be consulted for any reference you need.
Use only original WRC spare parts.

GENERAL INFORMATION

Assemble the kit only away from the reach of children.
Follow the building and operating instructions using the utmost care.
Don't put any part of your body inside rotating and moving elements as this may cause damage or serious injury.
Check and clean the model before putting it away.
Don't use your model car in public places or in roads and areas where it could generate conflict with person or vehicular traffic.
The model car is controlled by radio: you MUST put great care to avoid loss of radio control always keeping a safety margin all around your model in order to prevent any collision.
Operating frequency: check and be sure it is clear and not shared with anybody at same time; it could cause loss of control of the RC model.
Always turn on your transmitter before you turn on the receiver in the car and always turn off the receiver before you turn off your transmitter.
Keep the wheels of the model off the ground when checking the operation of the radio equipment.
Disconnect the battery pack before storing your model.

WARRANTY

WRC guarantees this model kit to be free from defects in both material and workmanship within 30 days of purchase.
The total monetary value under warranty will in no case exceed the cost of the original kit purchased.
This warranty doesn't cover any components damaged by use or modification or as result of wear.
Part or parts missing from this kit must be reported within 30 days of purchase.
No part or parts will be sent under warranty without proof of purchase.
If you find a defective or missing part, contact the local distributor.
Customer service and support will be provided through local hobby store.
No warranties are expressed or implied that cover damage caused by what is considered normal use or cover or imply how long any model cars' components or electric components will last before requiring replacement.
Due to the high performance level of this model car you will need to periodically maintain and replace consumable components; any and all warranty coverage will not cover replacement of any part or component damaged by neglect, abuse or improper or unreasonable use.
This includes but is not limited to damage from crashing, excessive moisture, improper use or no maintenance or user modifications which compromise the integrity of components.
Warranty will not cover components that are considered consumable on RC model car.
WRC doesn't pay nor refund on any component sent from WRC or its distributor for warranty.
WRC reserves the right to make final determination of the warranty status of any component or part
Use only original WRC spare part:

CUSTOMER SUPPORT

Please don't hesitate to contact WRC support at info@wrc-racing.com for any problem or question.
Also kindly visit our website www.wrc-racing.com to find last updates, set-up information, option parts and other information.

W.R.C. world racing car s.r.l.

Via A.Volta 2 Bis
36040 Brendola (VI)
ITALY

Phone: 0039 0 444 1792263
E-mail: info@wrc-racing.com
Website: www.wrc-racing.com





TECHNICAL INFORMATION

- BRAKE:Laser cut brake disck with Ferodo brake pad
- WHEELS LOCK:Lightweight 17 mm 7075 T6 Nut
- CHASSIS:3.0 mm Swiss 7075 T6 aluminium
- RADIO PLATE:Composite Material
- DRIVETRAIN TYPE:Spring steel CVD Driveshfts
- FRONT DIFFERENTIAL:Differential Gear
- REAR DIFFERENTIAL:Differential Gear
- SUSPENSION:Pivot ball suspension
- RIDE HEIGHT:Adjustable Front & Rear
- CAMBER:Adjustable Front & Rear
- CASTER:Adjustable Front
- TOE:Adjustable Front & Rear
- ROLLCENTER:Adjustable Front & Rear
- ACKERMANN:Adjustable Front
- ANTI-ROLL BARS:Adjustable Front & Rear

- WIDTH310 mm
- WHEEL BASEadjustable 315-320 mm.

ADDITIONAL ITEMS NEEDED FOR COMPLETION (REQUIRED BUT NOT INCLUDED IN THE KIT)



ENGINE AND MUFFLER



TRANSMITTER



RECEIVER



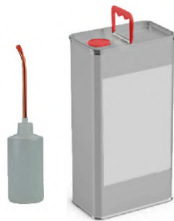
STARTER GLOW
PLUG IGNITER



BATTERIES
FOR TRANSMITTER
AND RECEIVER



WHEEL - TYRES - INSERTS



FUEL AND FUEL PUMP



2 STEERING SERVO



STARTER

TOOLS REQUIRED

THESE TOOLS ARE NOT INCLUDED IN THE KIT BUT ARE REQUIRED FOR PROPER ASSEMBLY



ALLENS:
1.5 mm
2 mm
2.5 mm
3 mm



SOCKET
5mm



SIDE CUTTERS



COMBINATION PLIERS



TOOL FOR
TURNBUCKLES/NUTS



WHEEL NUT TOOL
17mm



GREASE

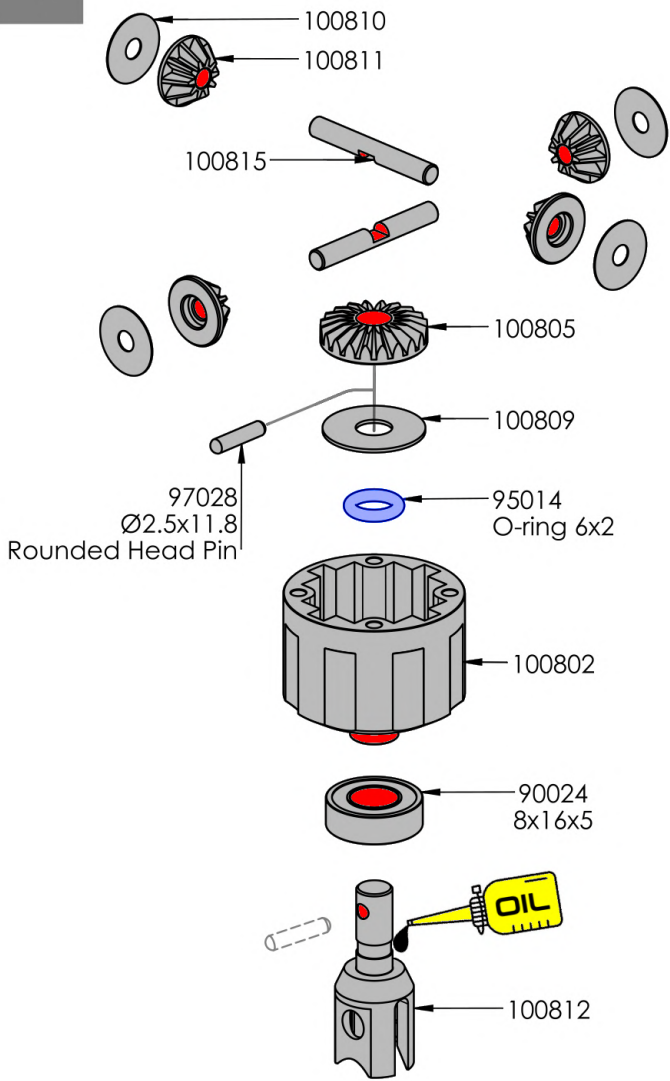


OILS:
5000 CST
BEARING OIL

NOTICE:

THE FOLLOWING ITEMS ARE NEEDED FOR COMPLETION OF THE SBX; THEY ARE NOT INCLUDED IN THIS KIT (UNLESS NOTED) AND SHOULD BE OBTAINED FROM YOUR LOCAL HOBBY SHOP.
BE SURE TO READ THE INSTRUCTION COMPLETELY PRIOR TO ASSEMBLY

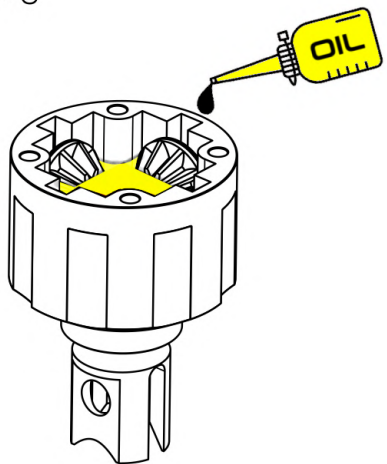
1



2

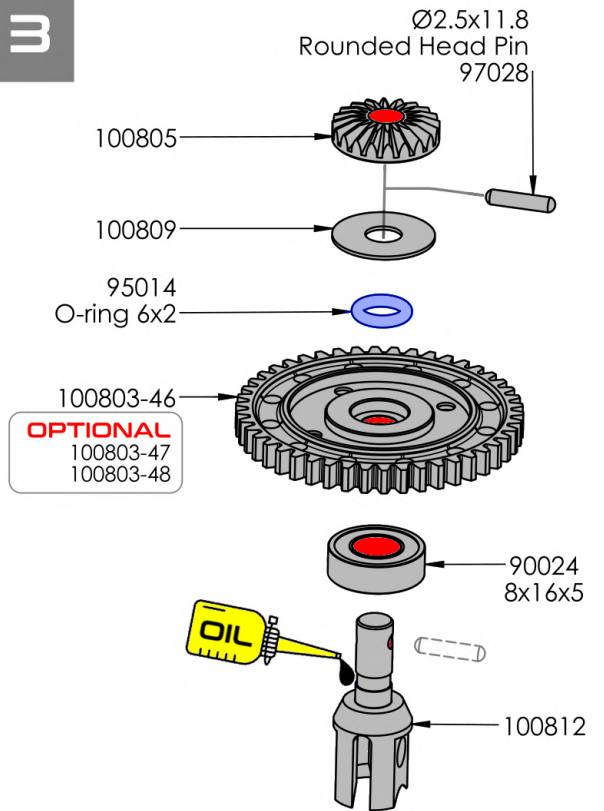
DIFFERENTIAL OIL :

Type: 5000 cst
Weight: 3g

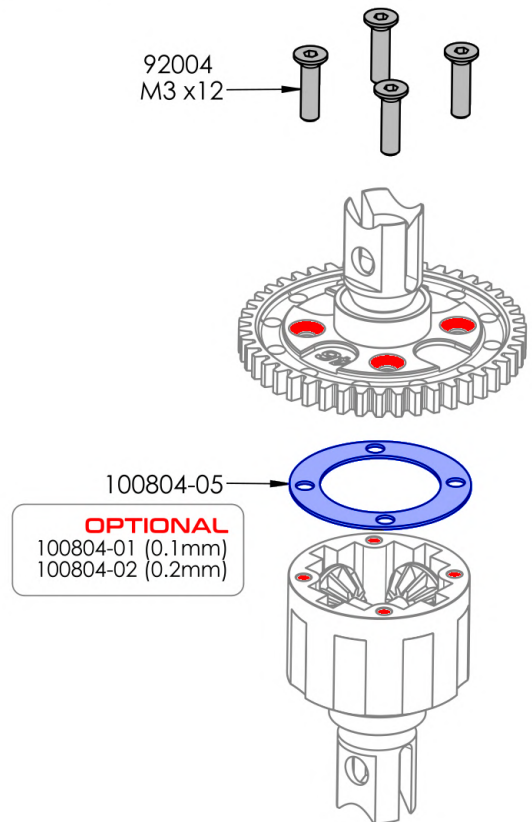


Fill the differential up to the top of the pin. **DO NOT** fill the diff. to the top of the housing.

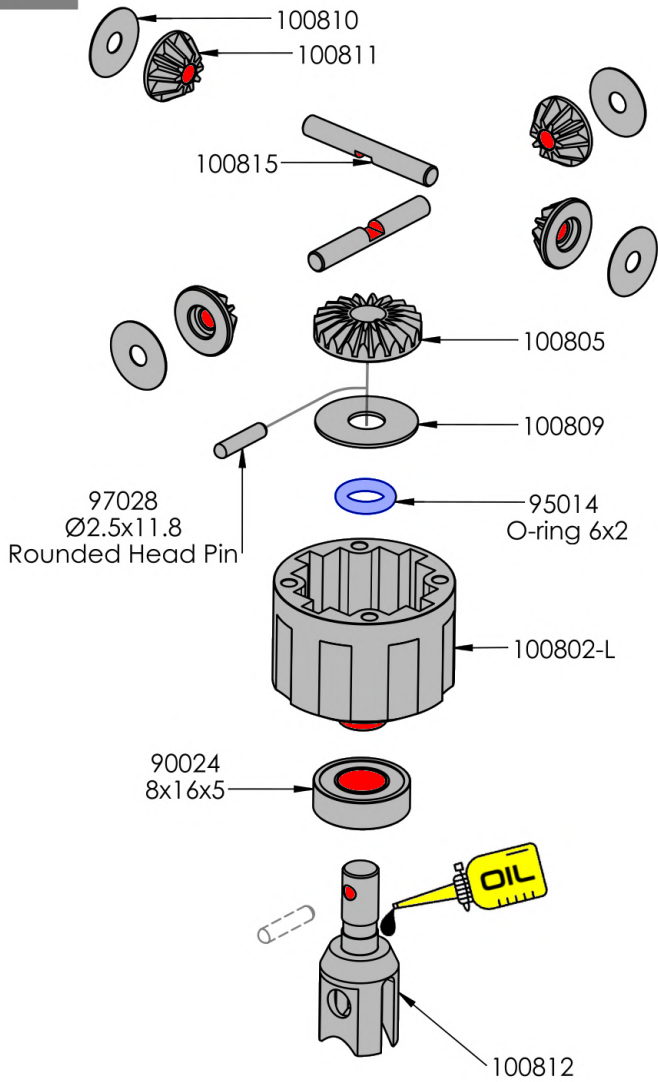
3



4



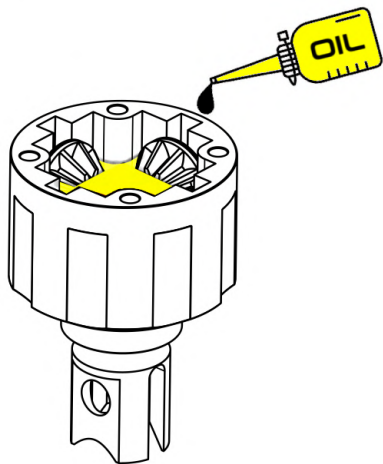
1



2

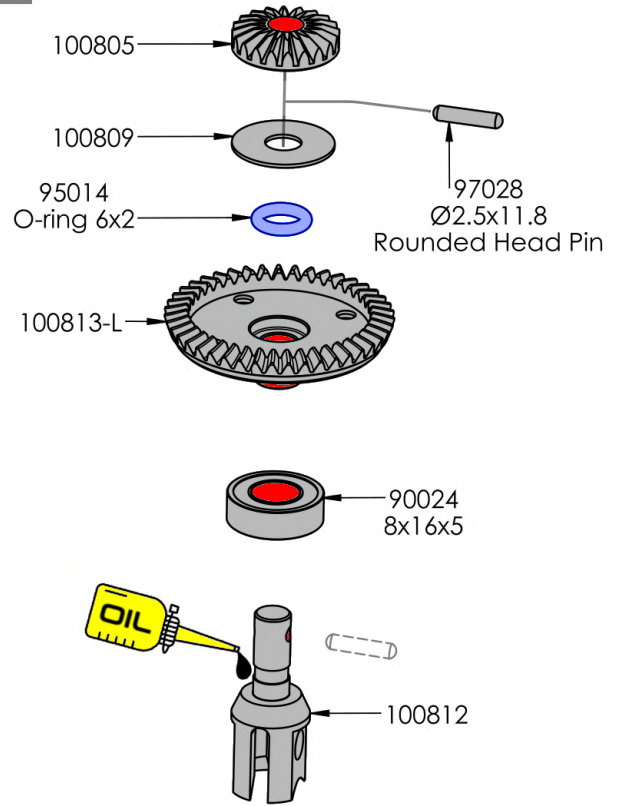
DIFFERENTIAL OIL :

Type: 5000 cst
Weight: 3g

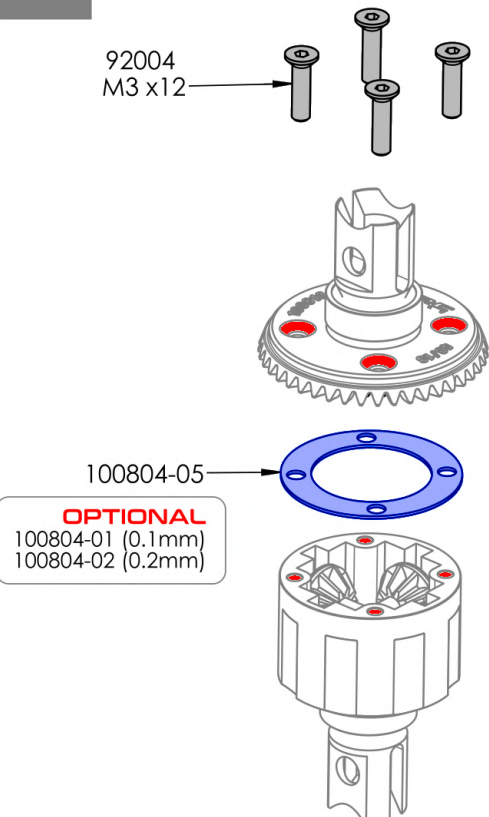


Fill the differential up to the top of the pin. **DO NOT** fill the diff. to the top of the housing.

3

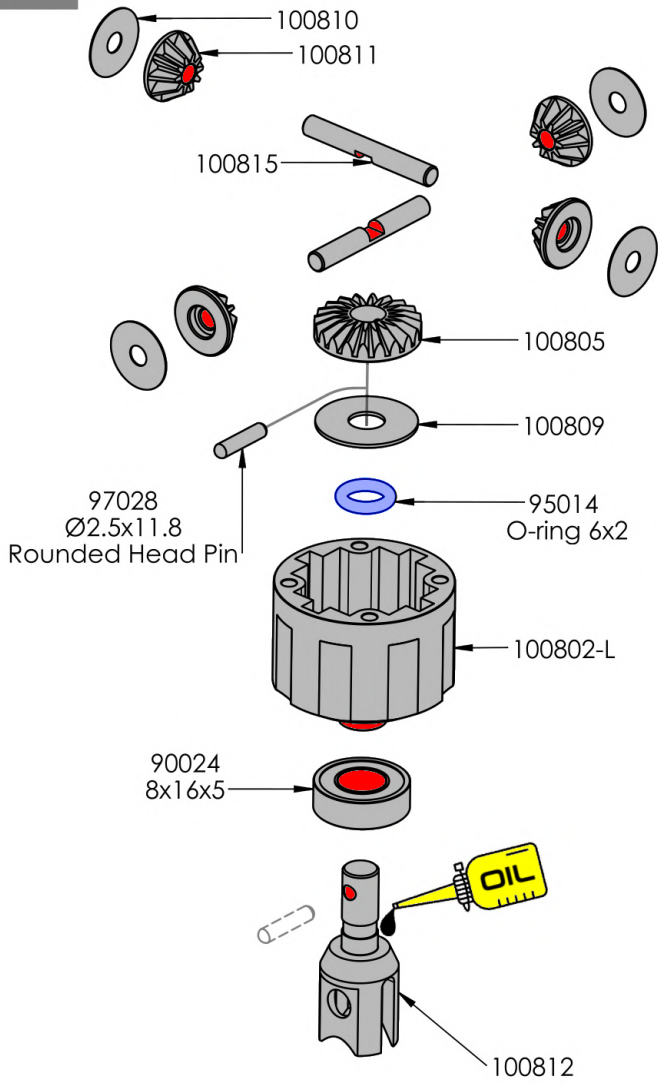


4



OPTIONAL
100804-01 (0.1mm)
100804-02 (0.2mm)

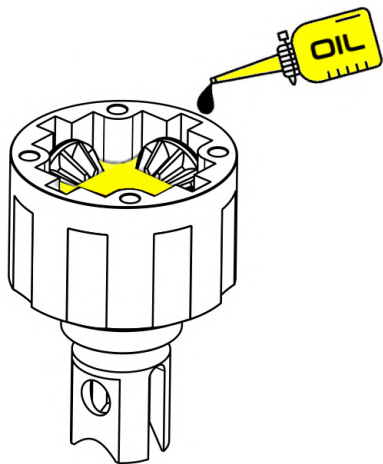
1



2

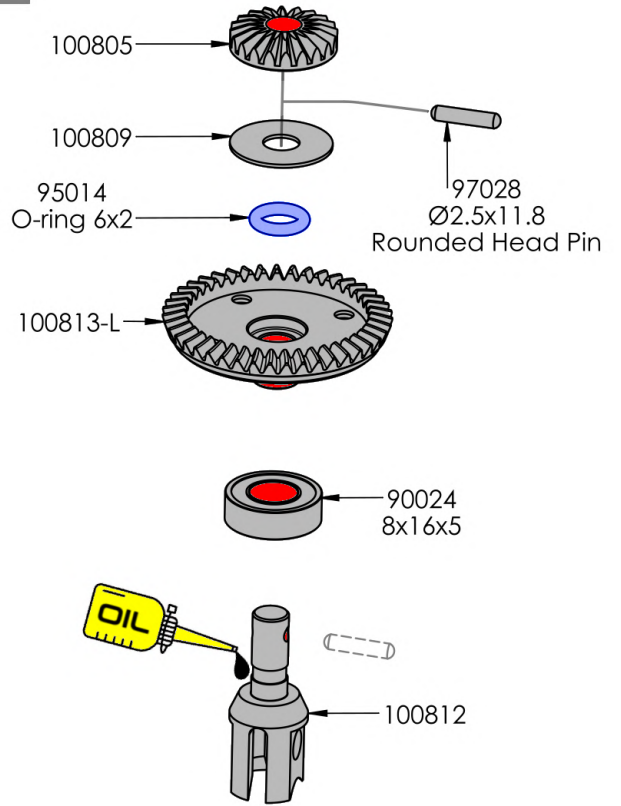
DIFFERENTIAL OIL :

Type: 5000 cst
Weight: 3g

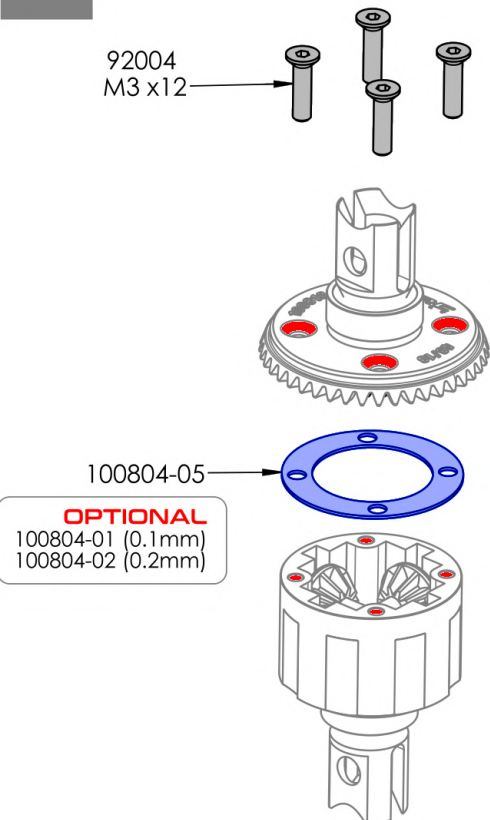


Fill the differential up to the top of the pin. **DO NOT** fill the diff. to the top of the housing.

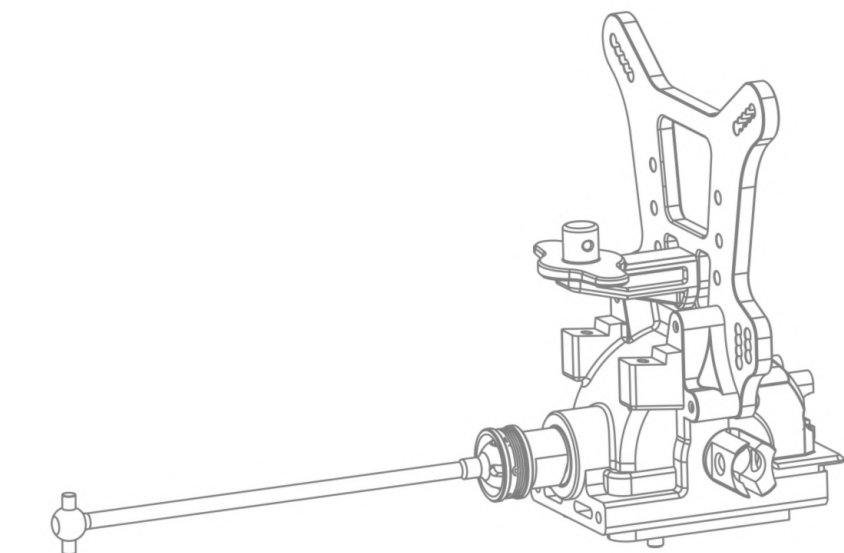
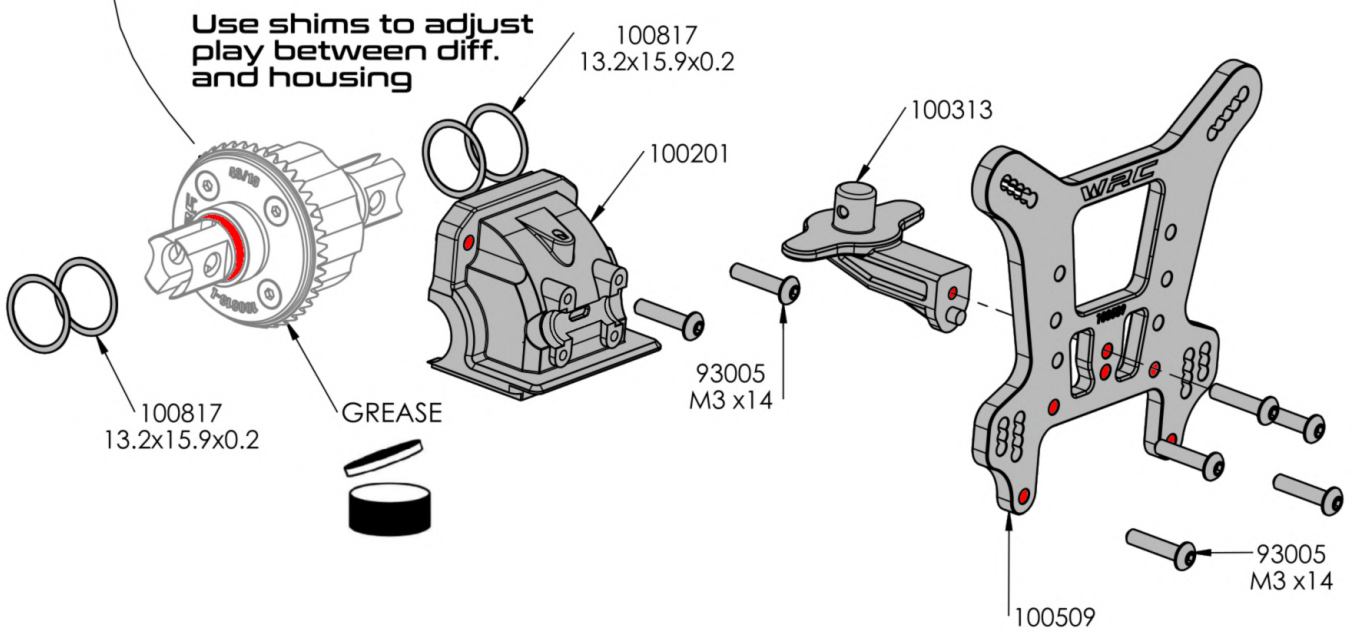
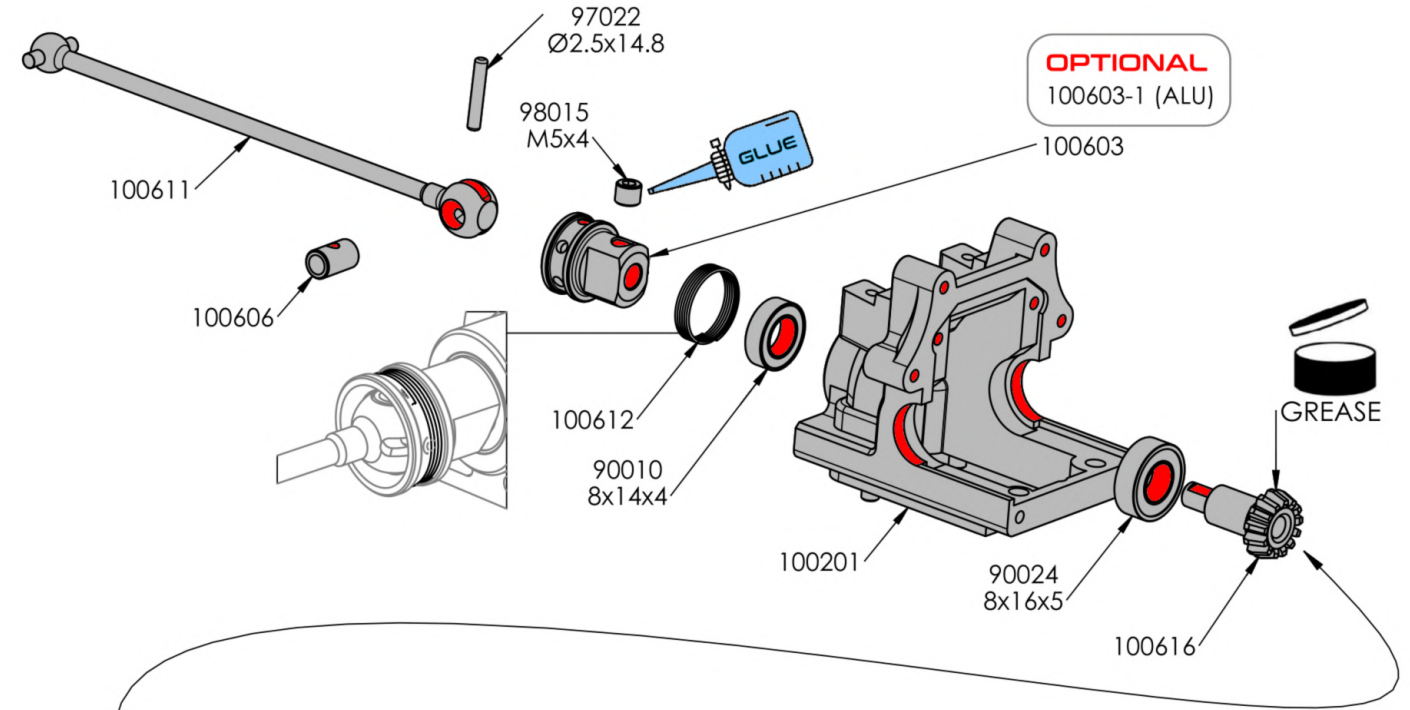
3



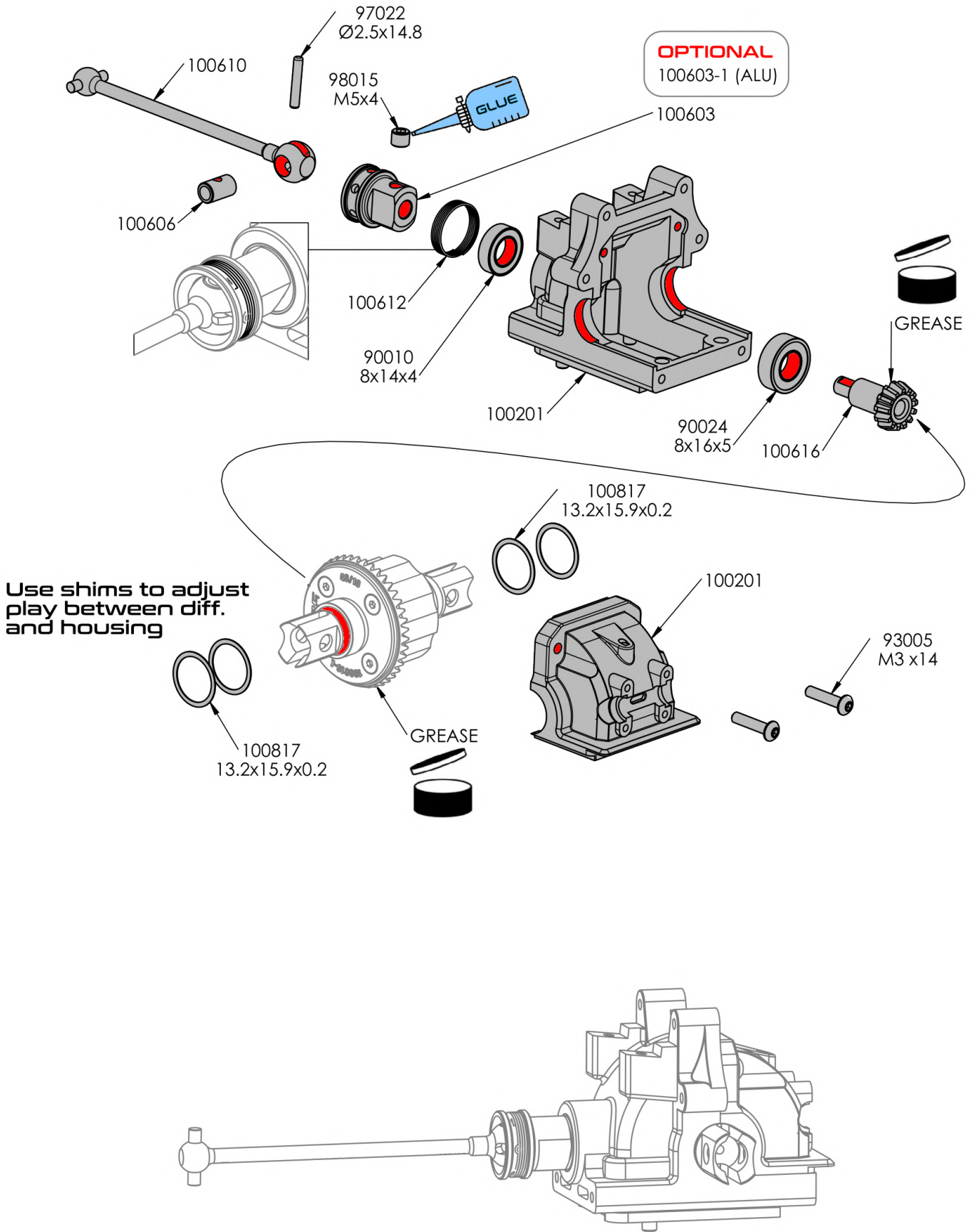
4

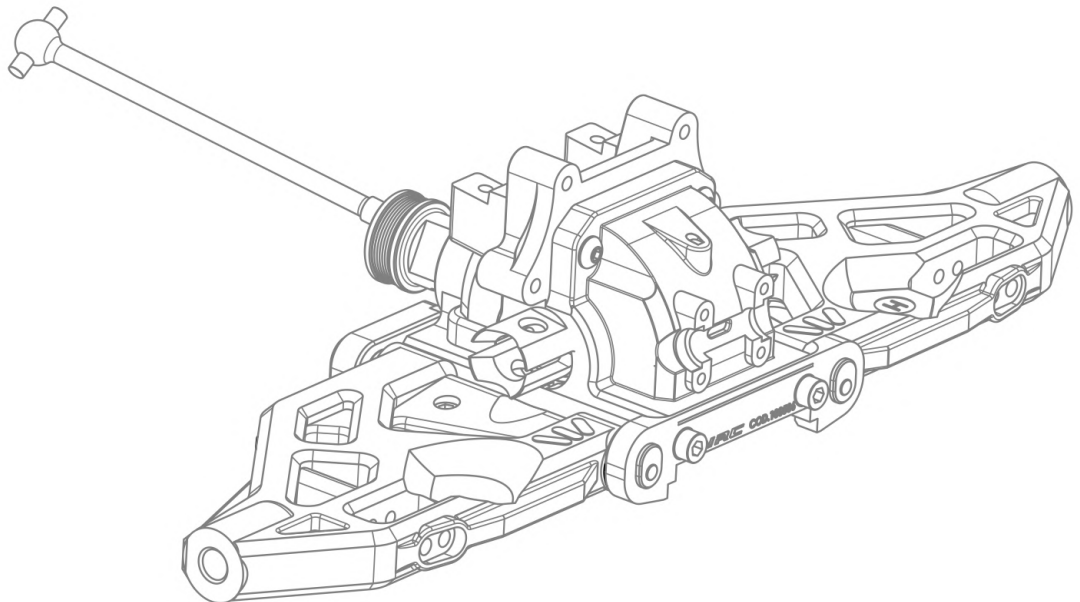
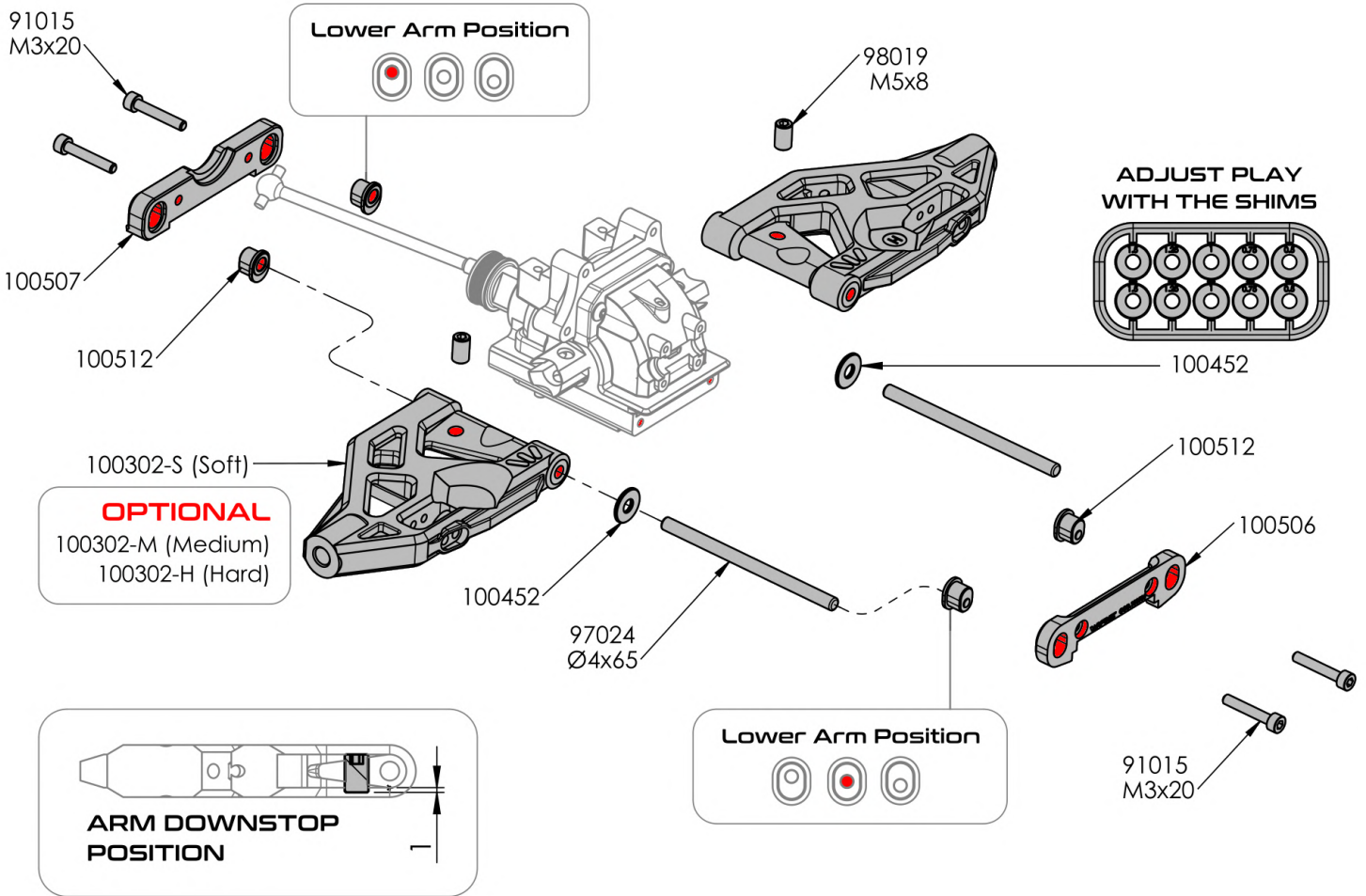


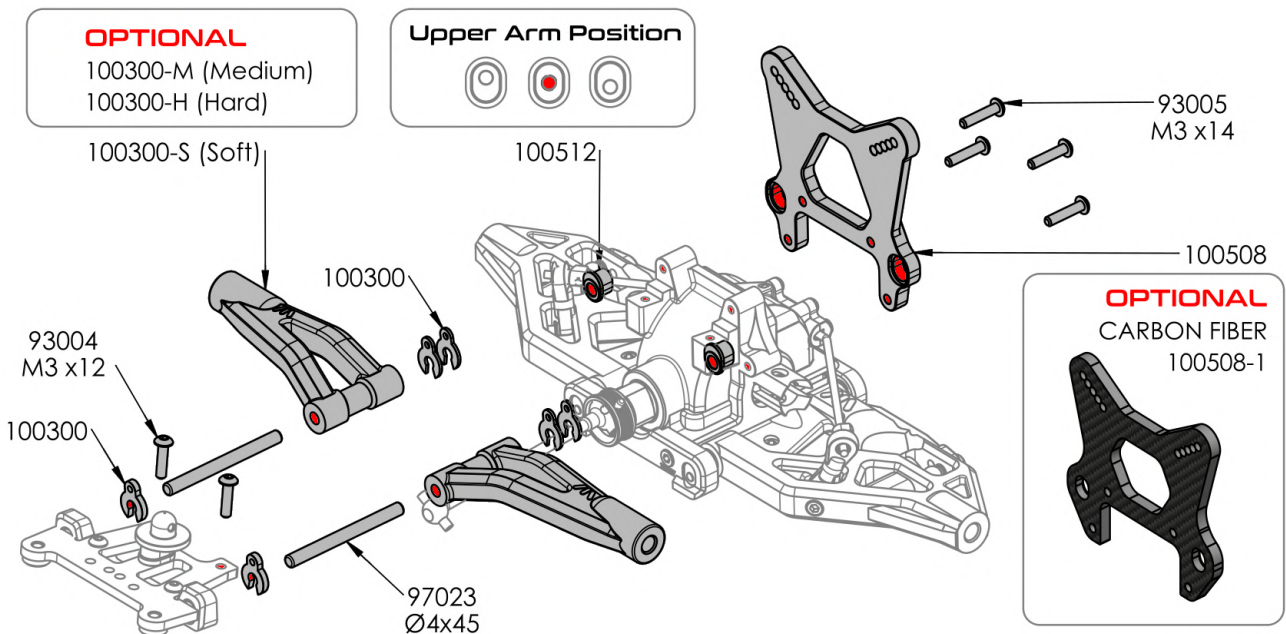
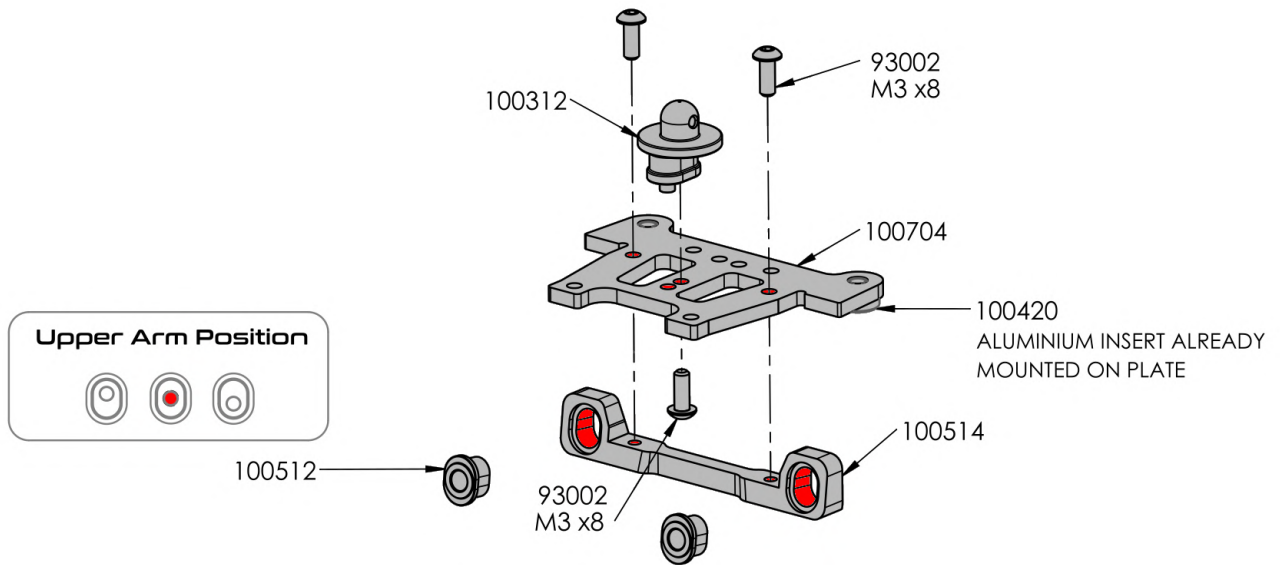
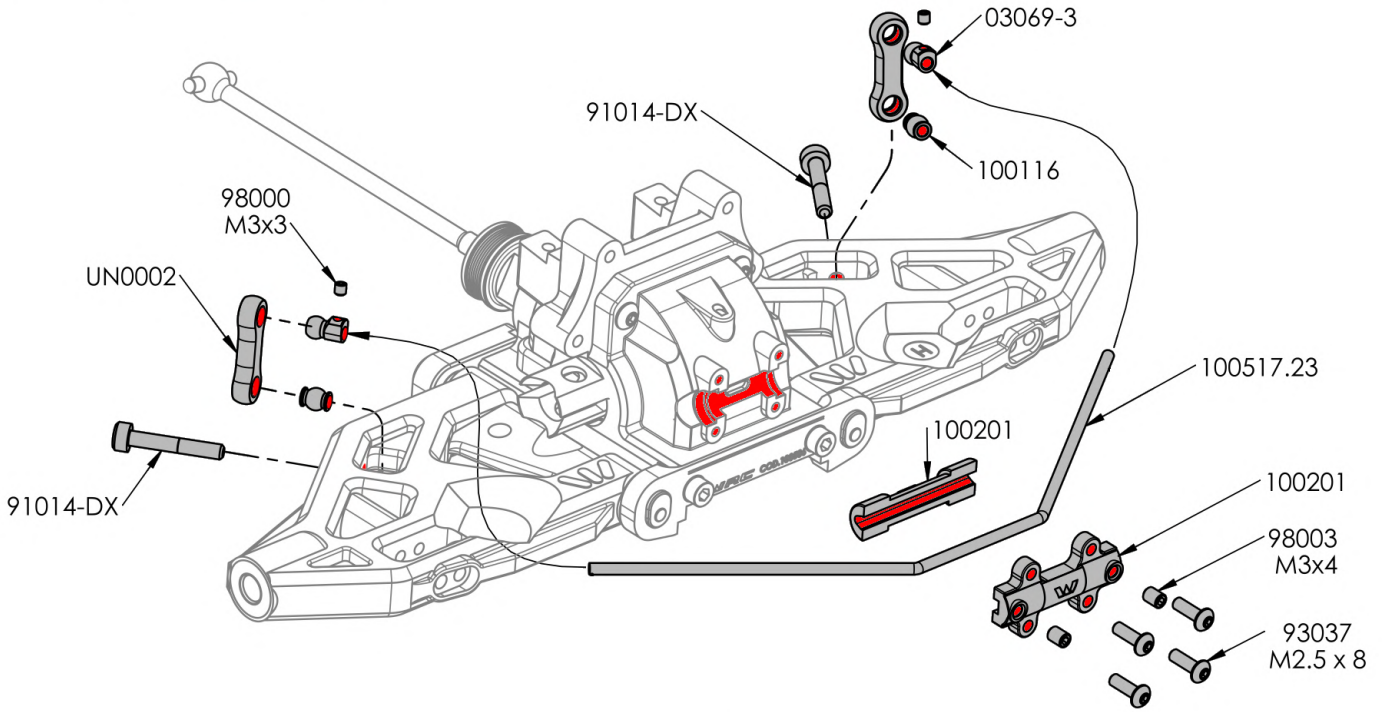
OPTIONAL
100804-01 (0.1mm)
100804-02 (0.2mm)

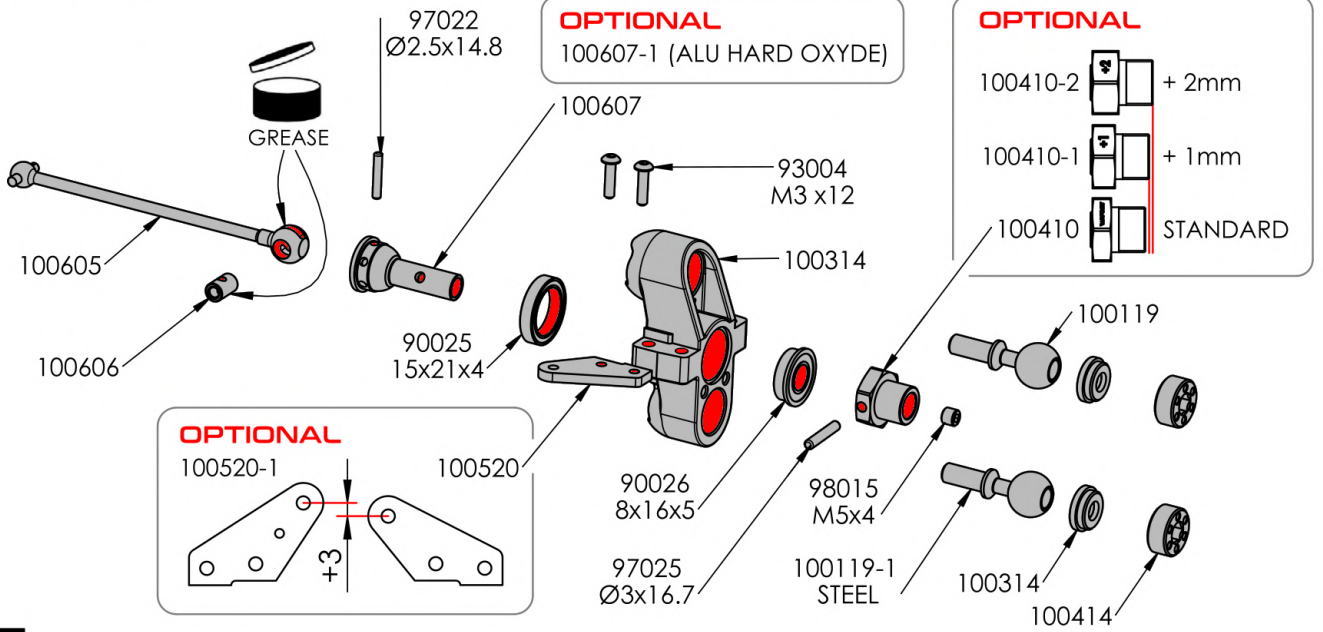


OPTIONAL
CARBON FIBER
100509-1



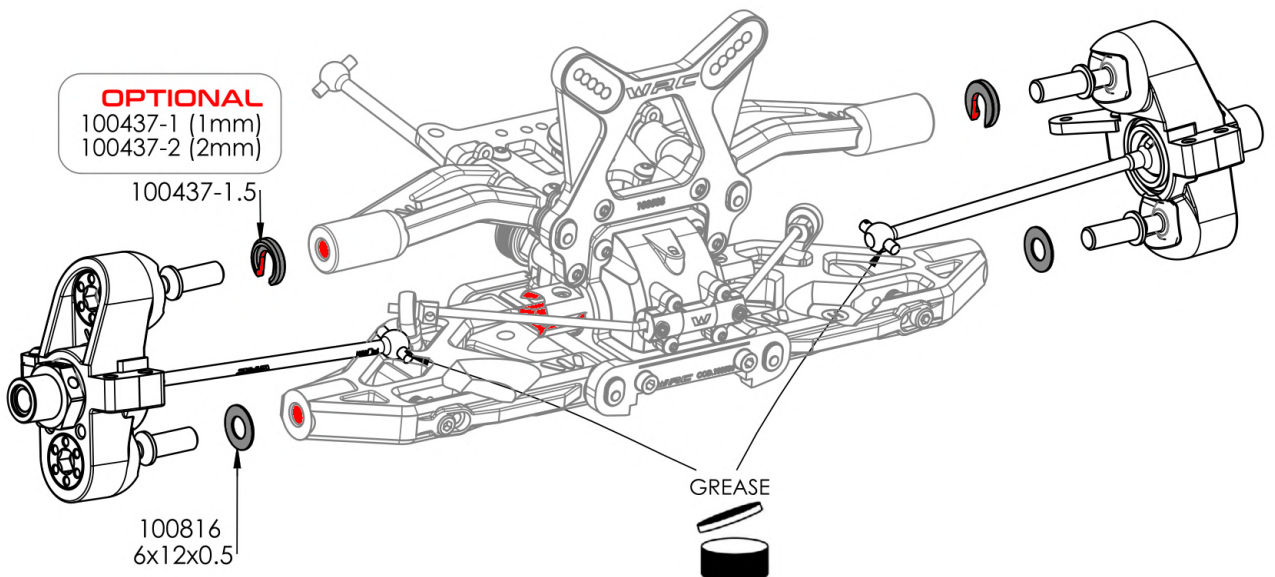
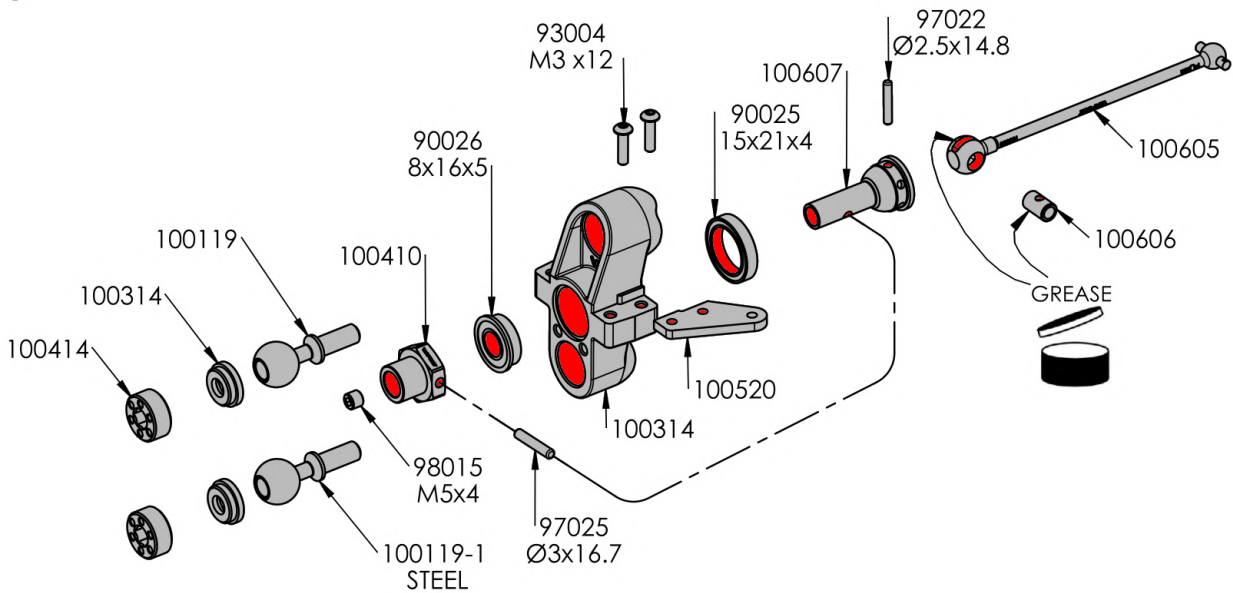






RIGHT

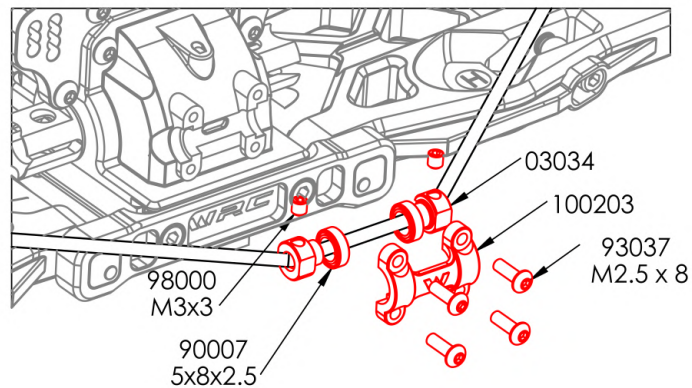
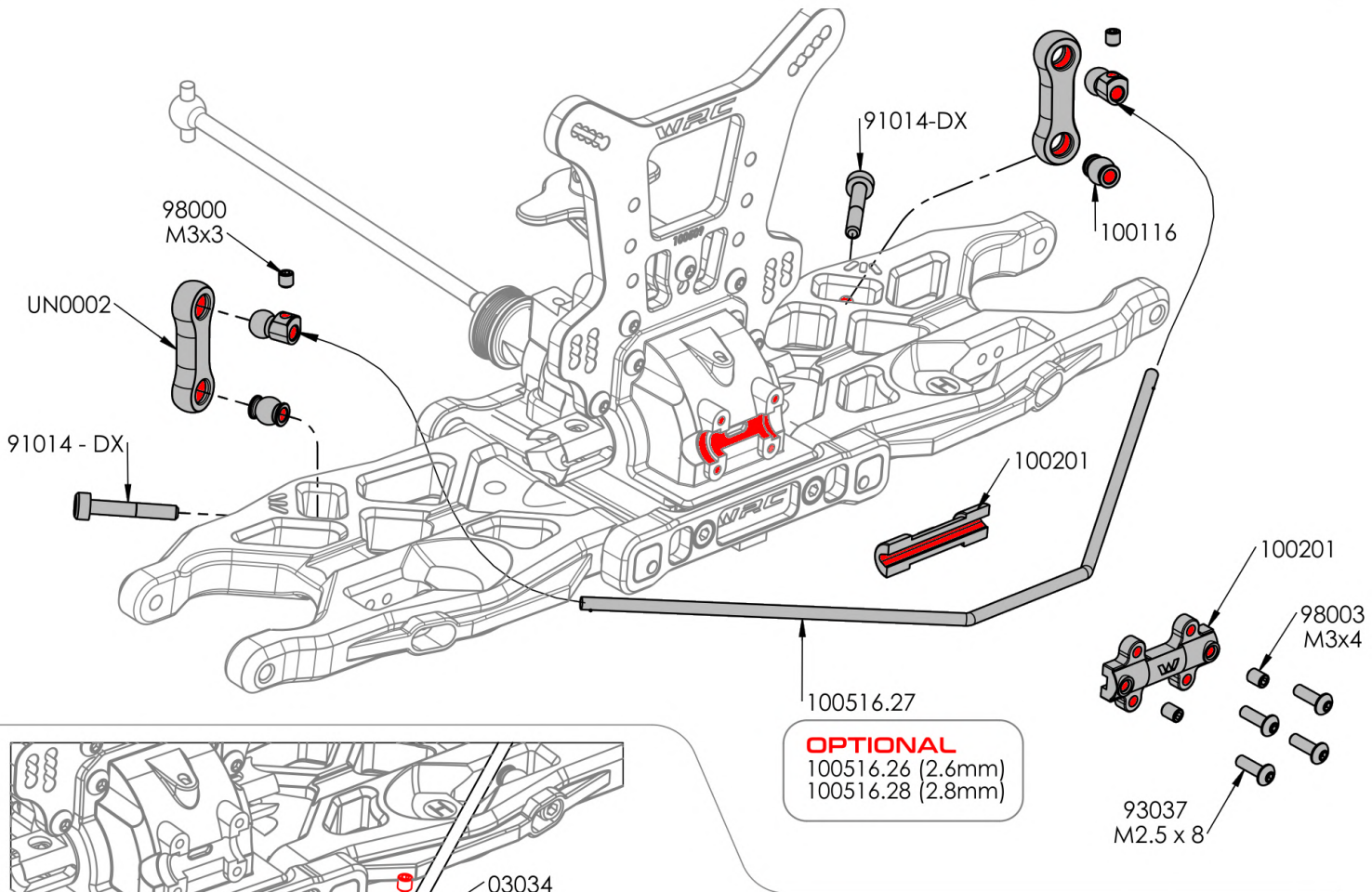
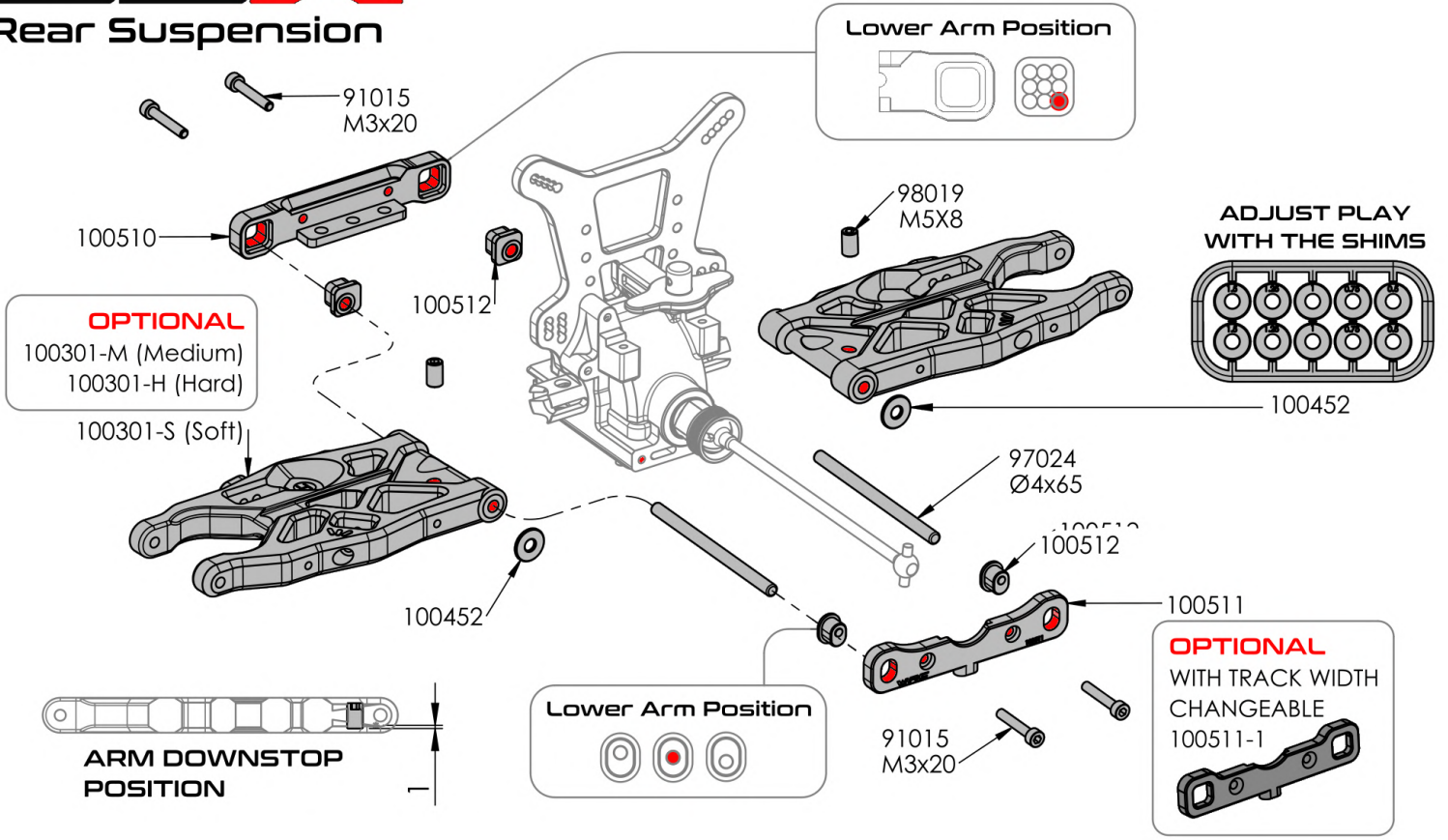
LEFT



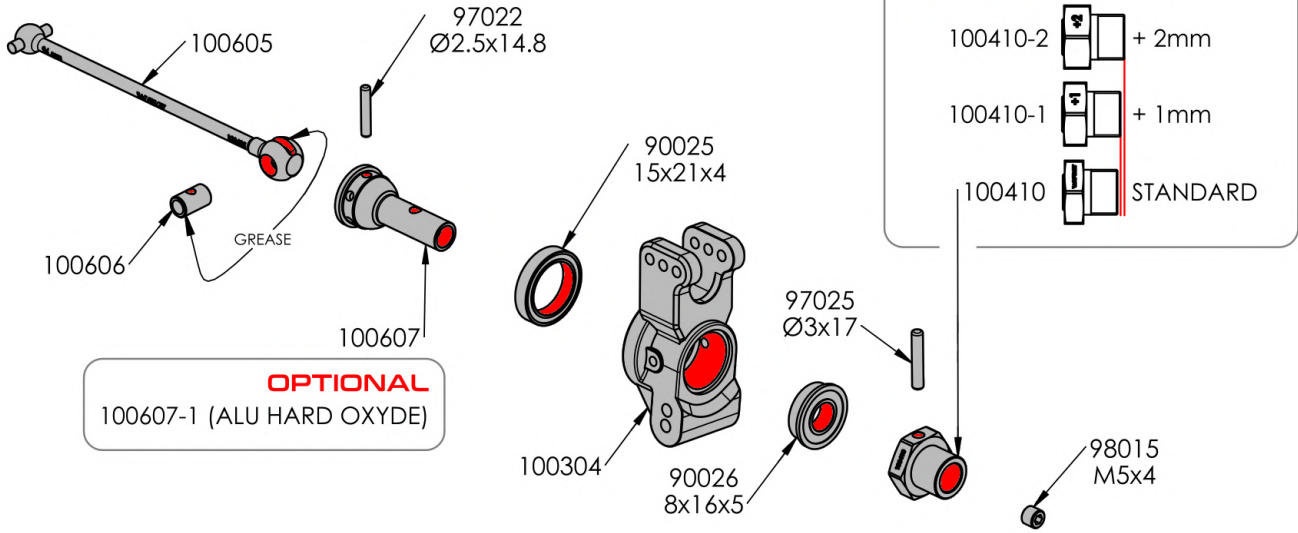
SBX

Rear Suspension

BAG 9

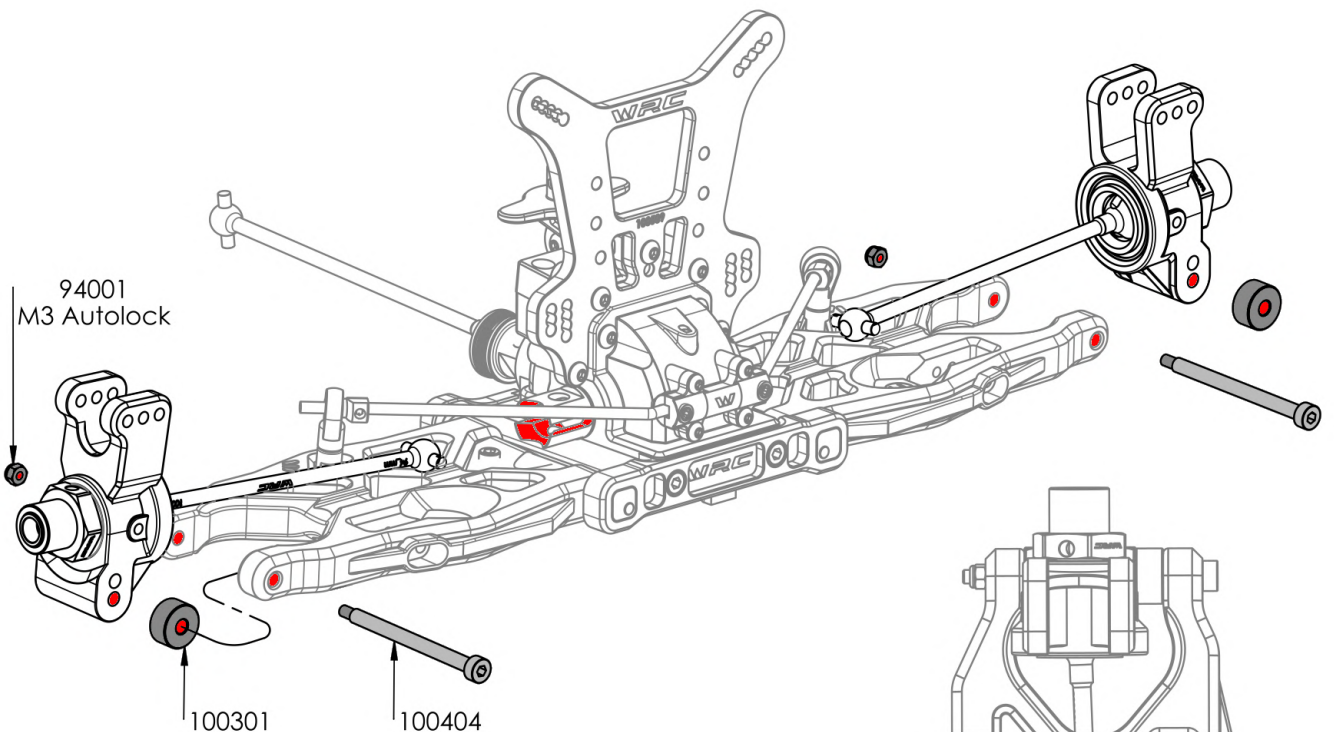
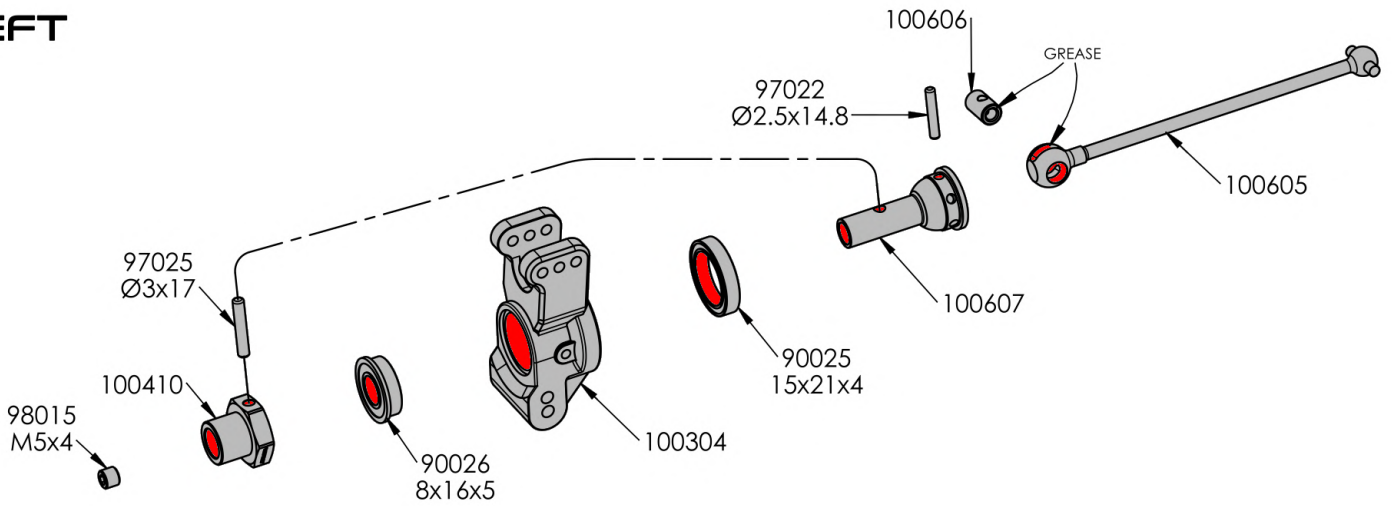


OPTIONAL
Bearing Mounted Anti roll-bar Kit
Front and Rear

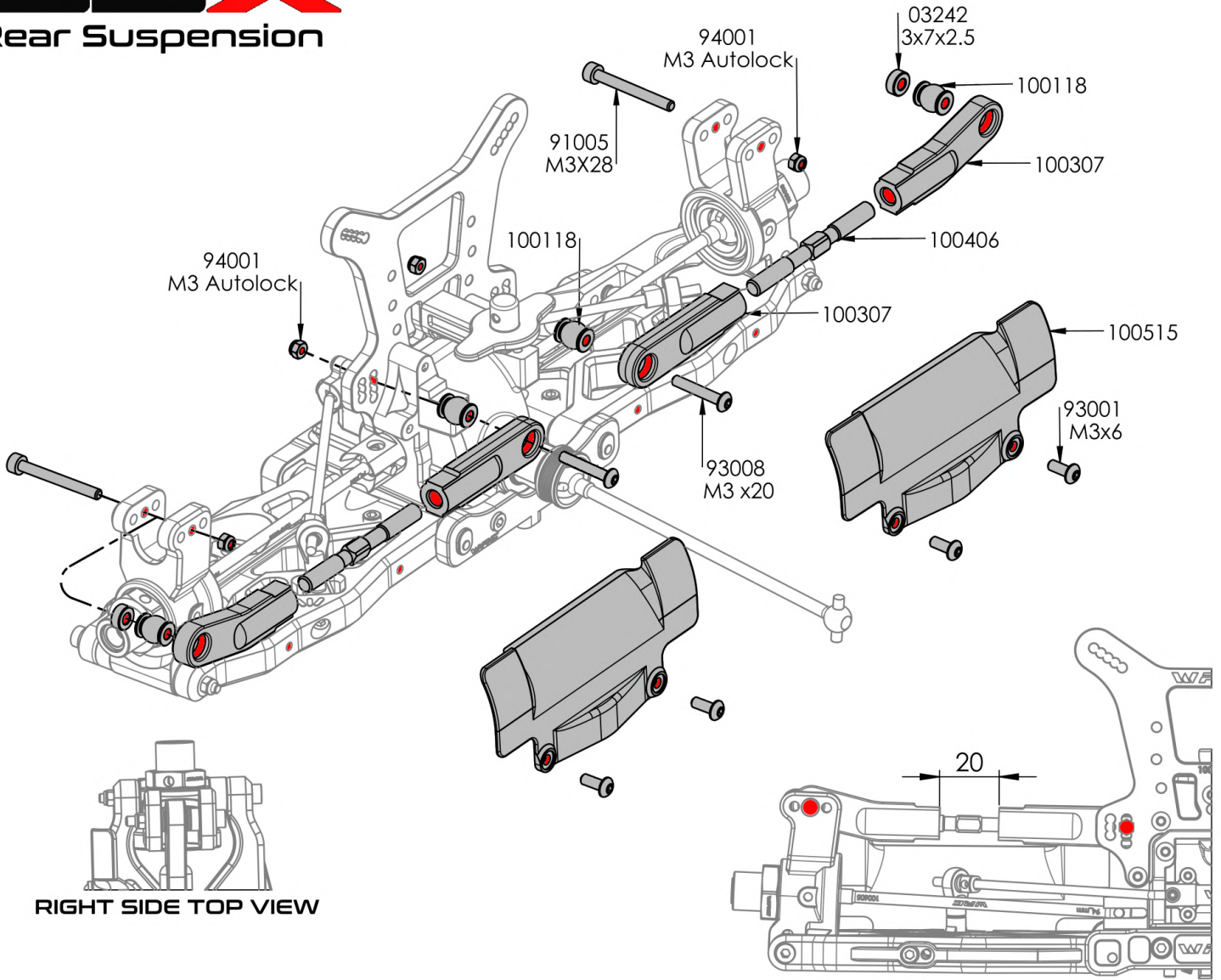


RIGHT

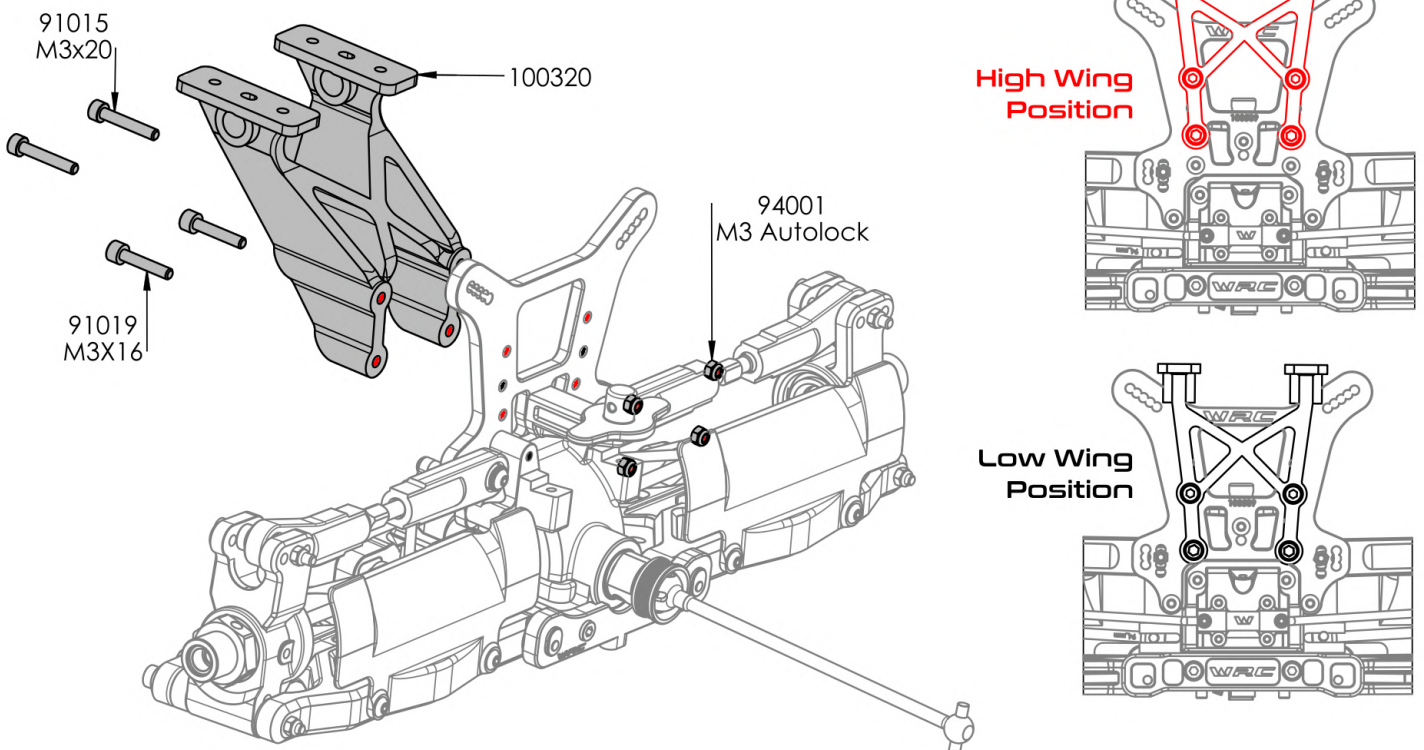
LEFT

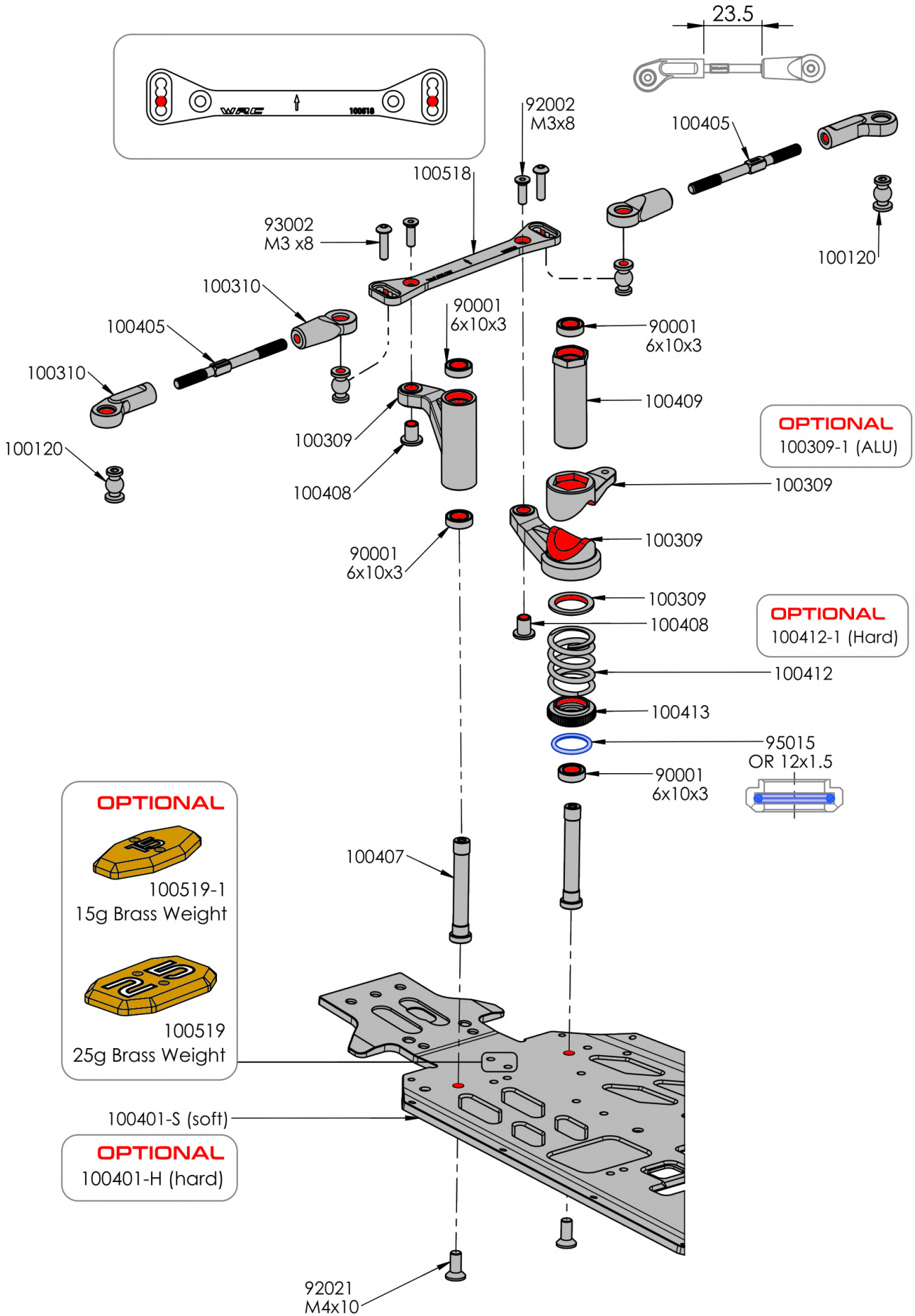


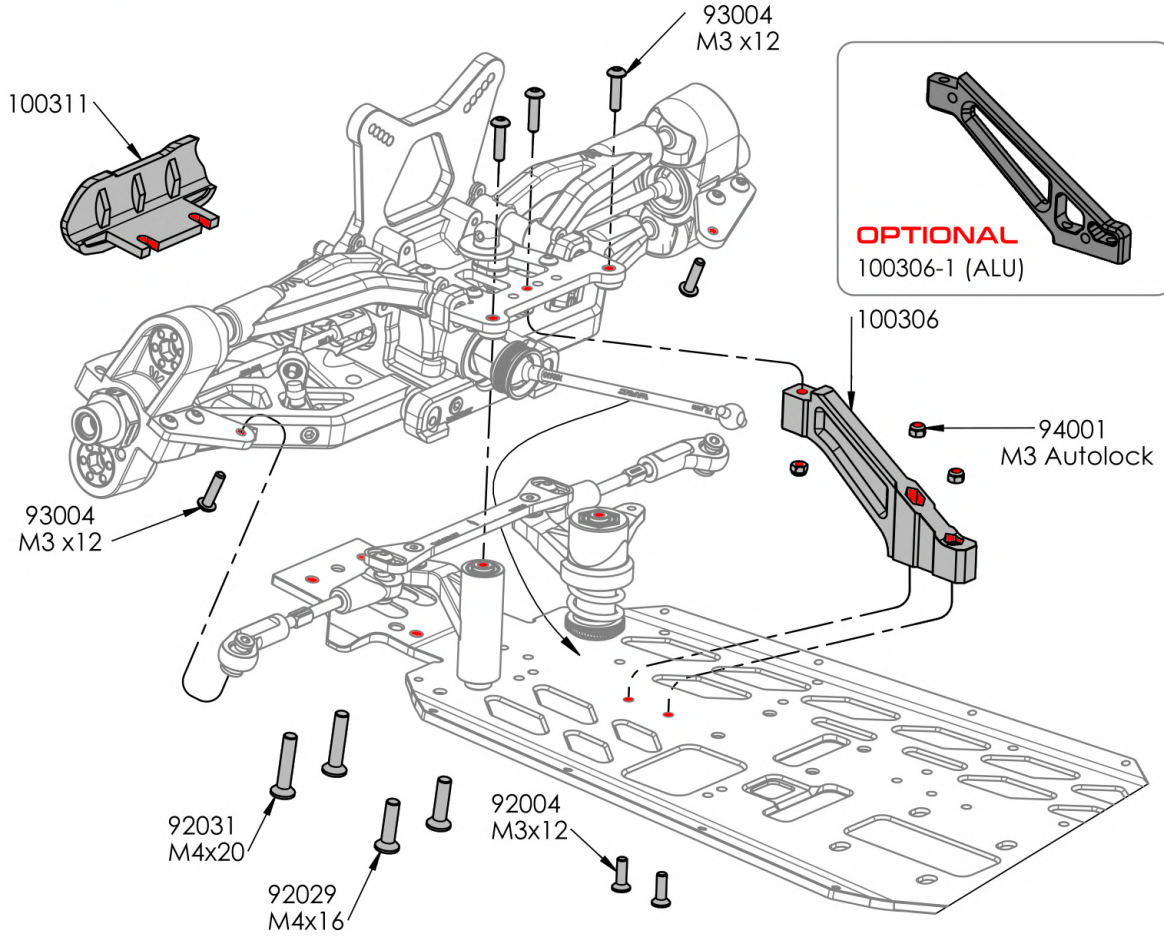
RIGHT SIDE TOP VIEW



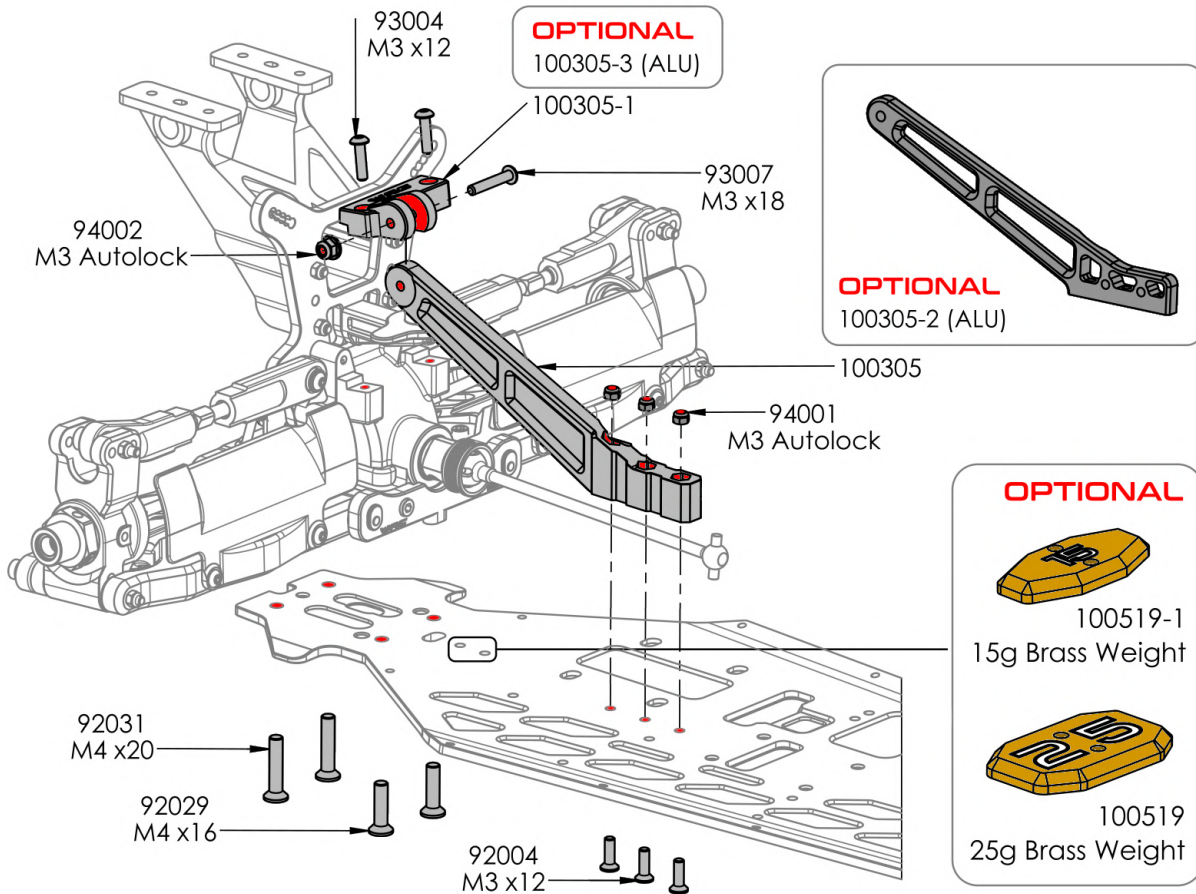
Rear Wing Support

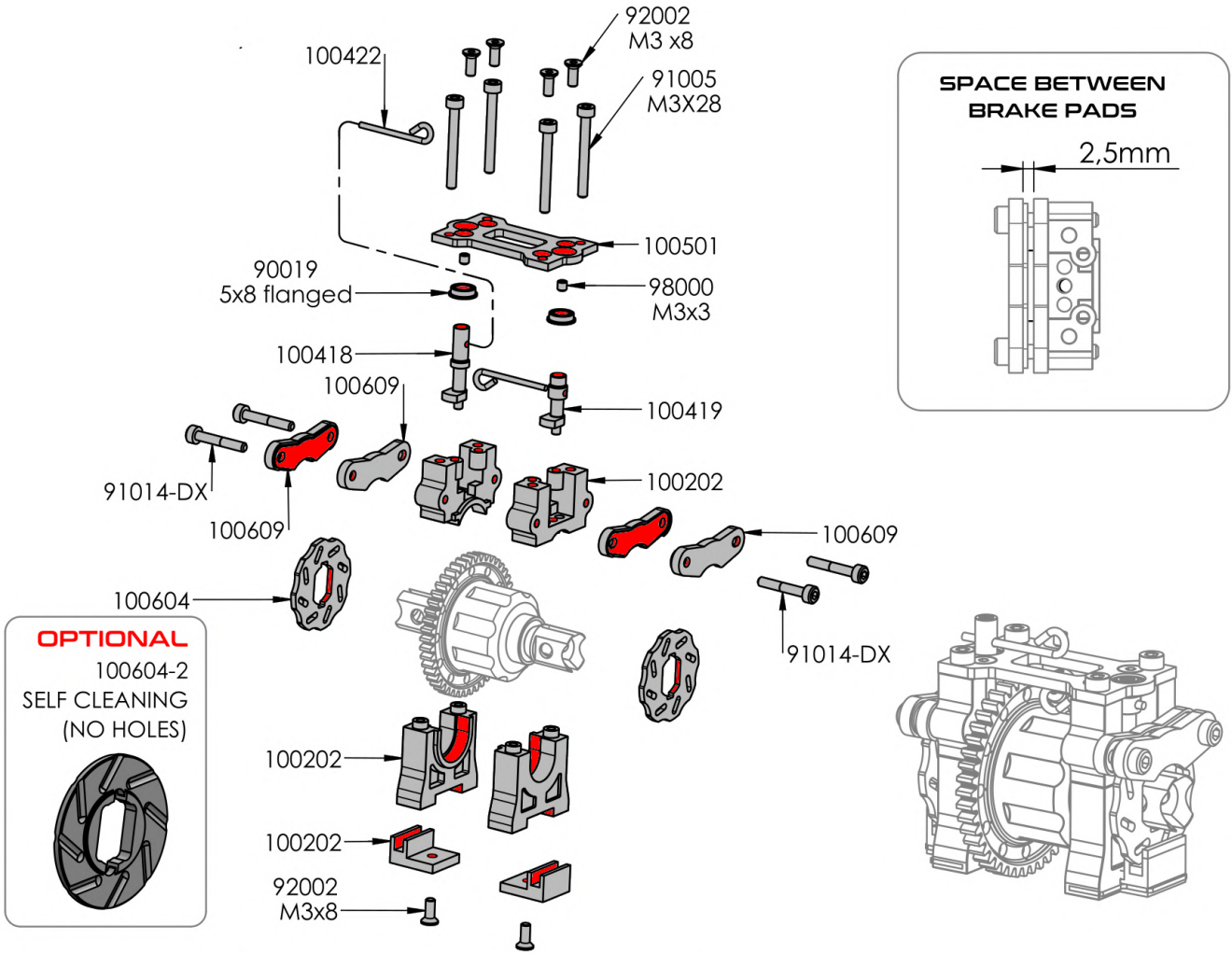




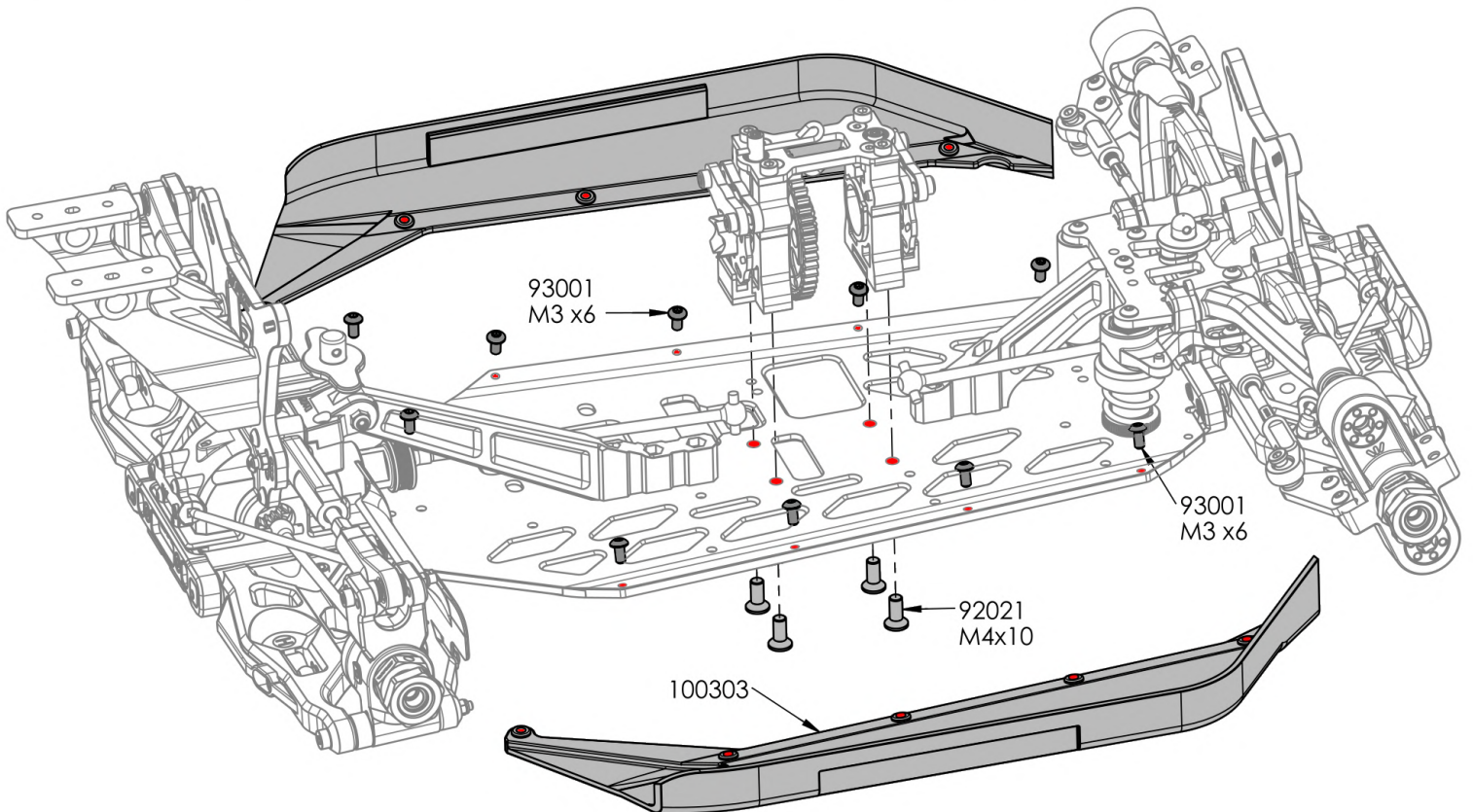


Rear Assembly

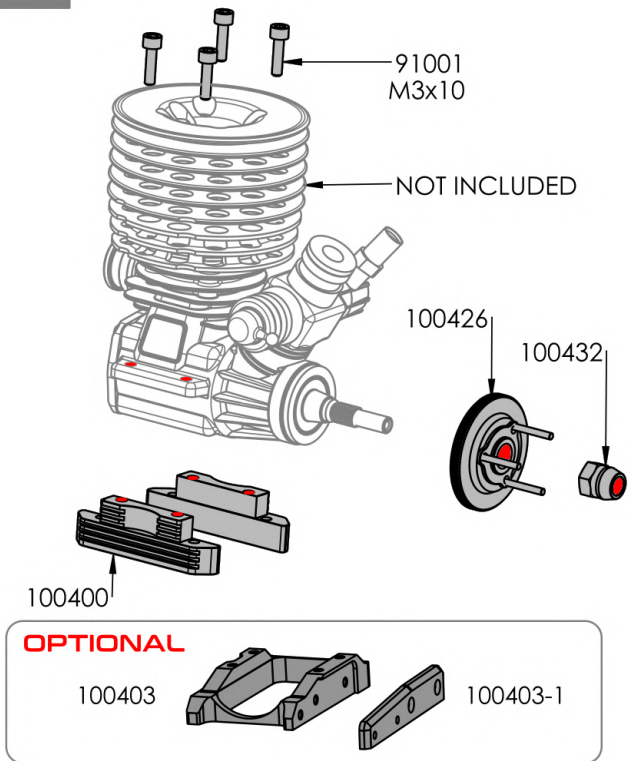




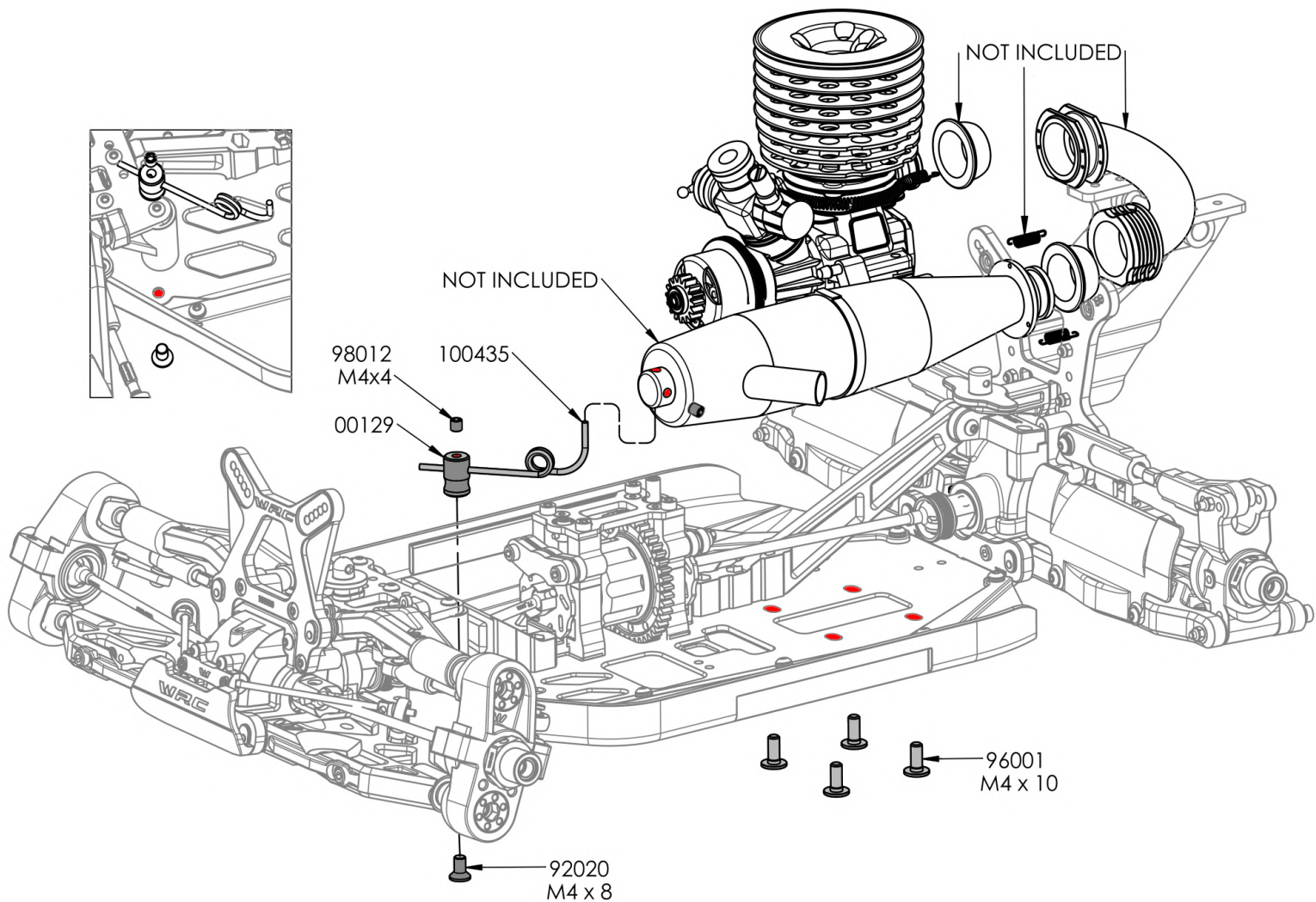
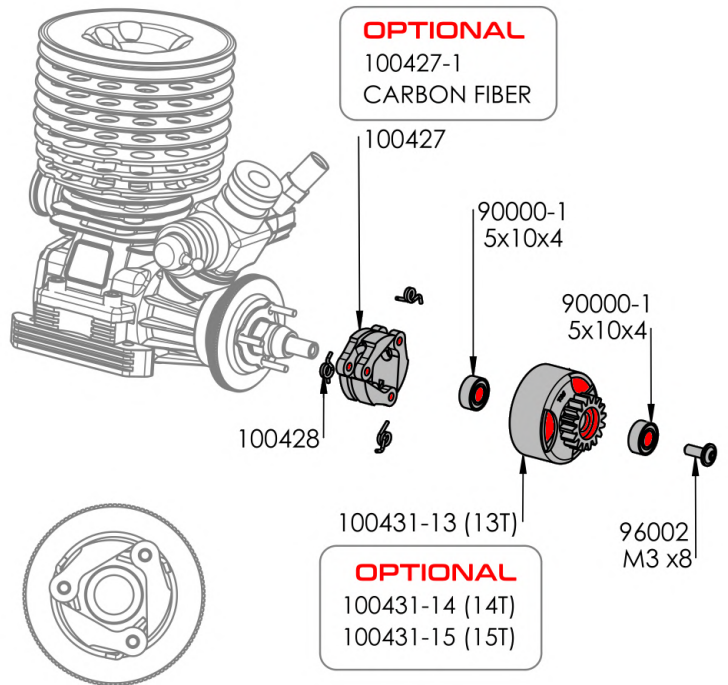
Central transmission & Side Protection Mount



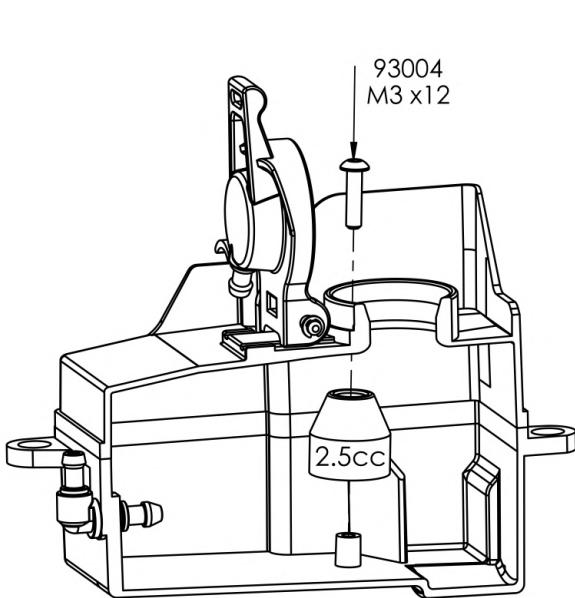
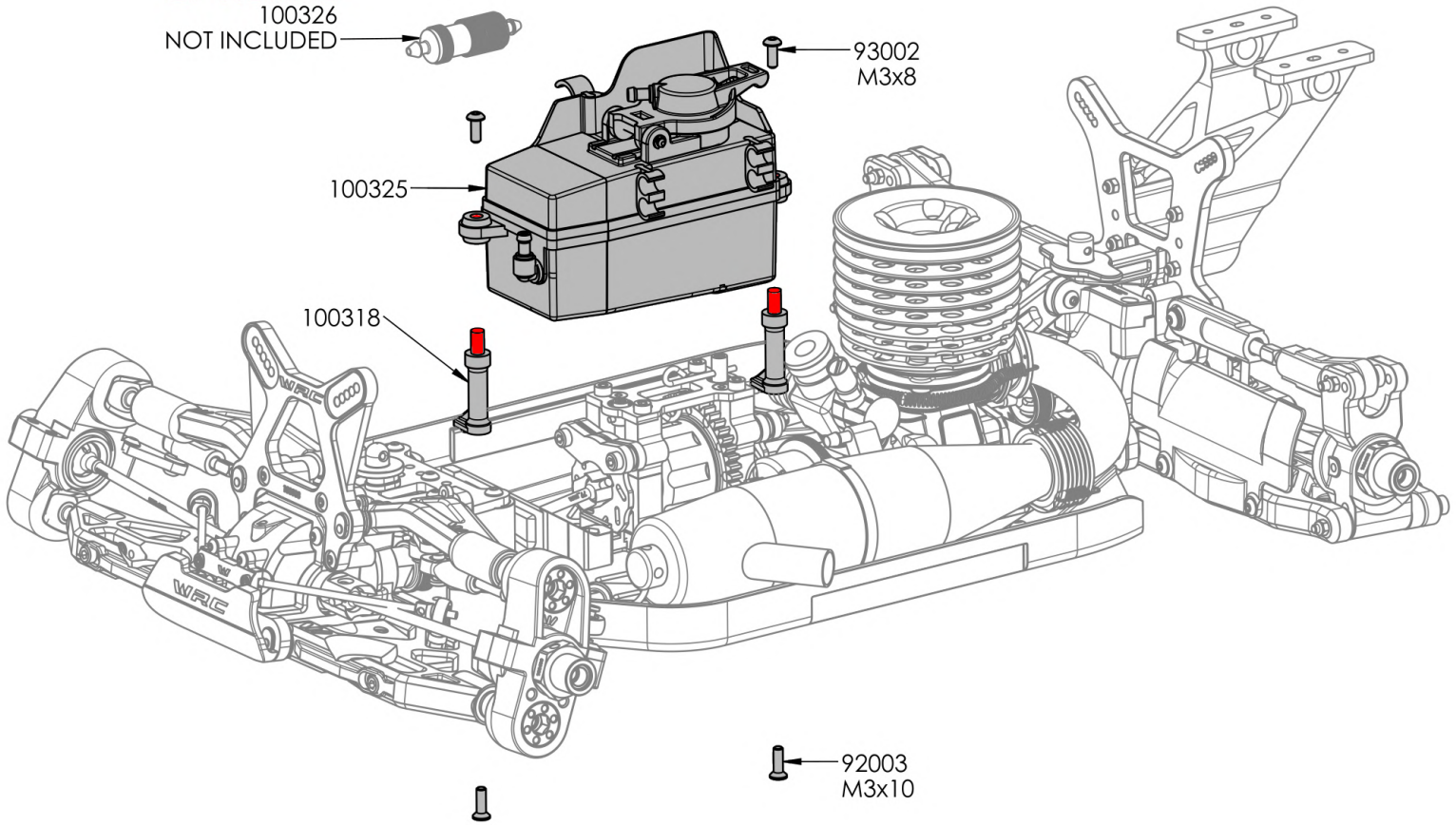
1



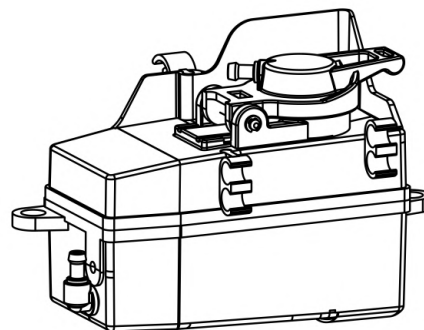
2



OPTIONAL
100326
NOT INCLUDED

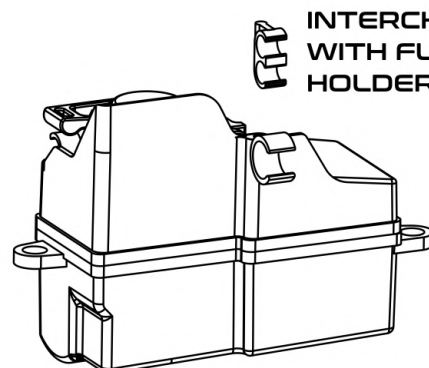


**INSERT ALLOWS TO
ADJUST THE FUEL
VOLUME IN THE TANK**



 **HIGH POSITION**

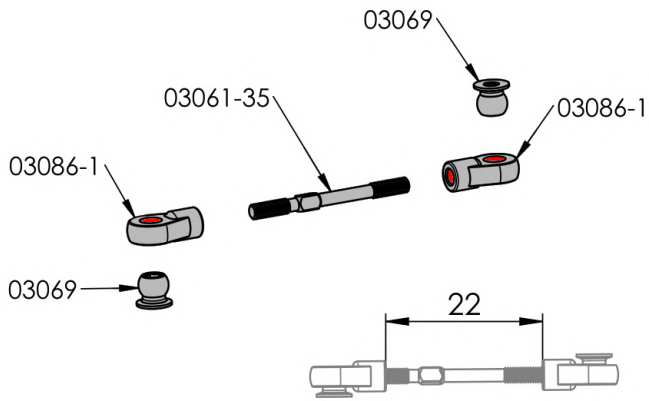
 **LOW POSITION**



 **INTERCHANGEABLE
WITH FUEL FILTER
HOLDER**

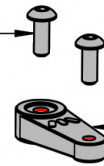
Radio Case

1



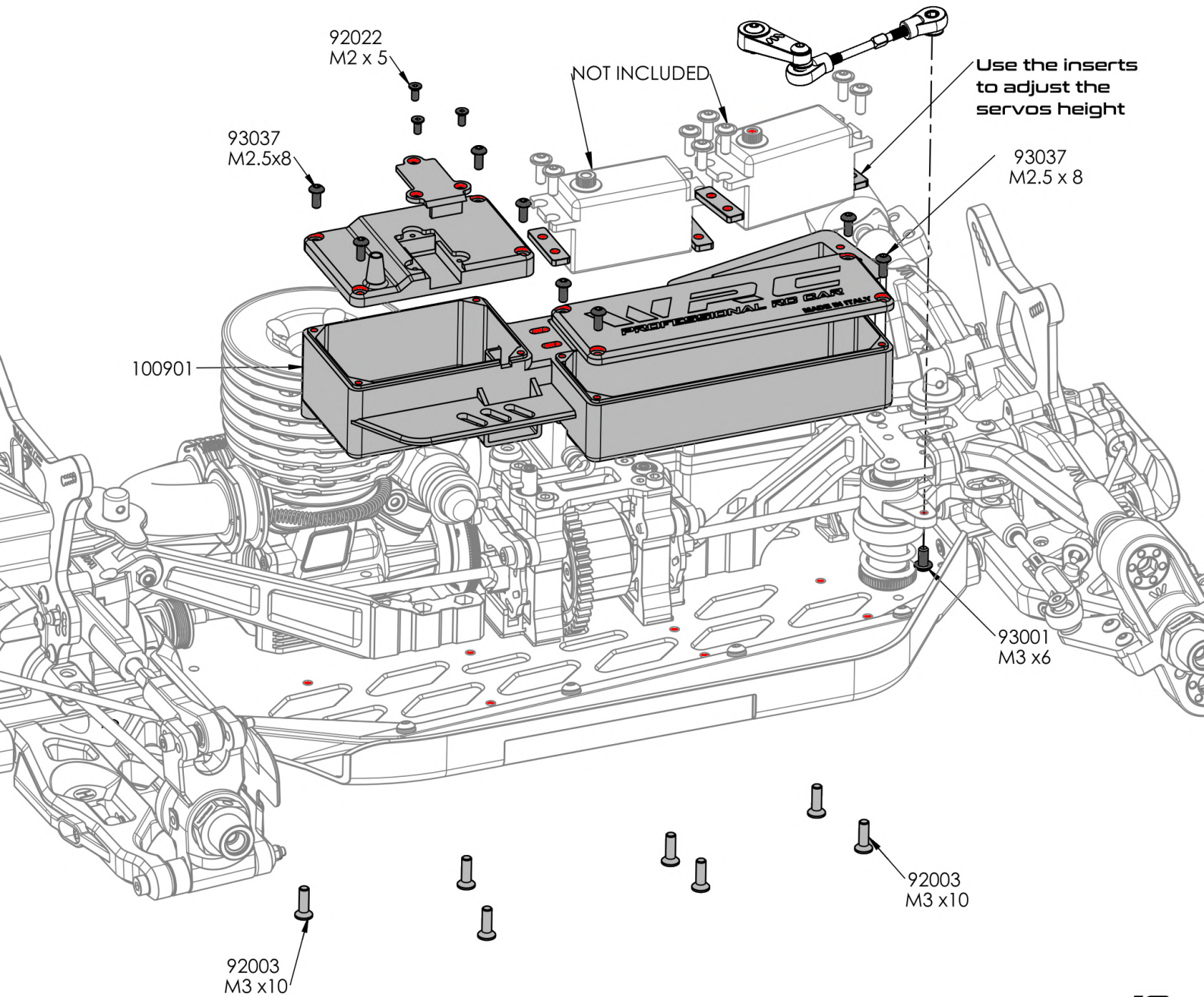
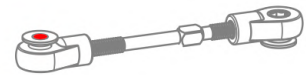
2

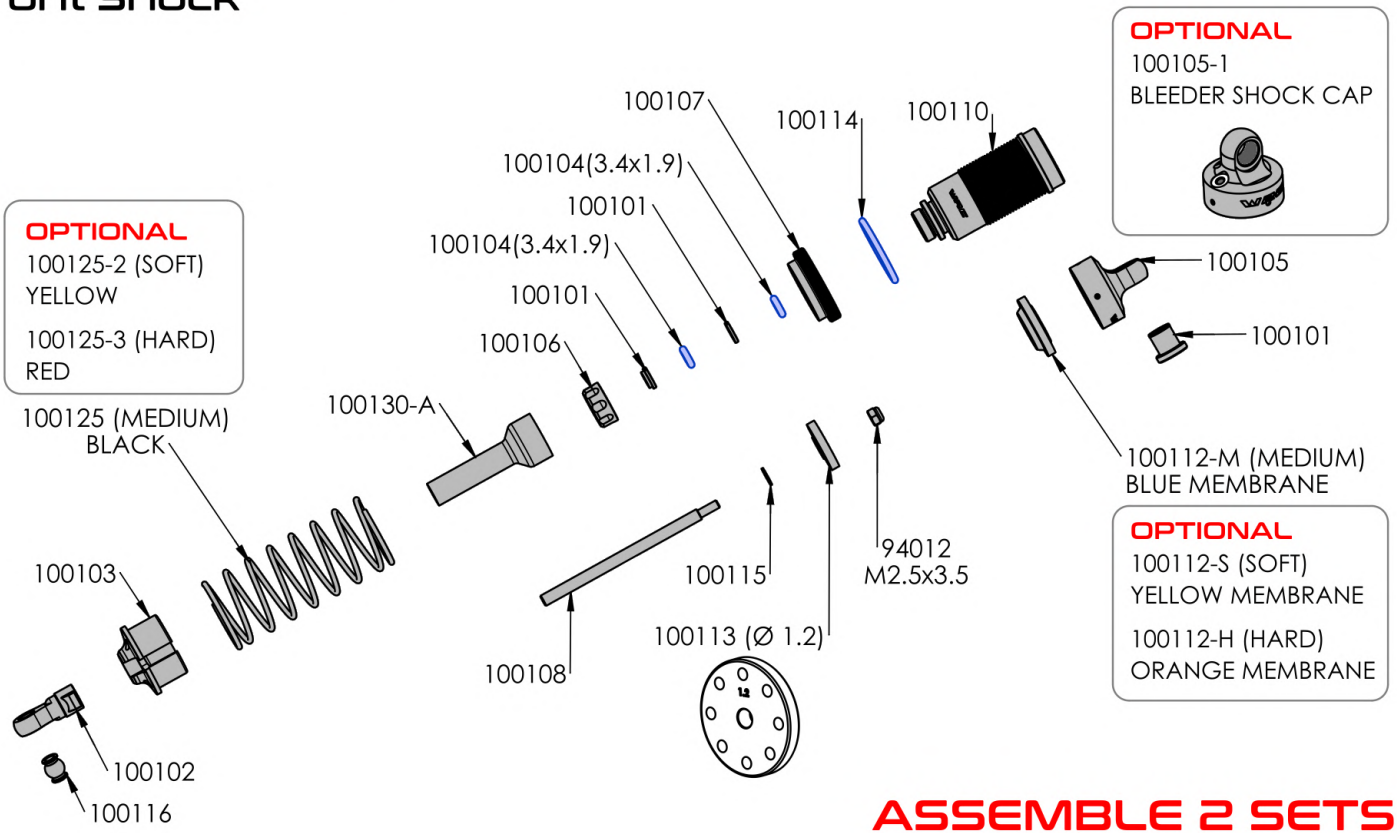
93002
M3 x8



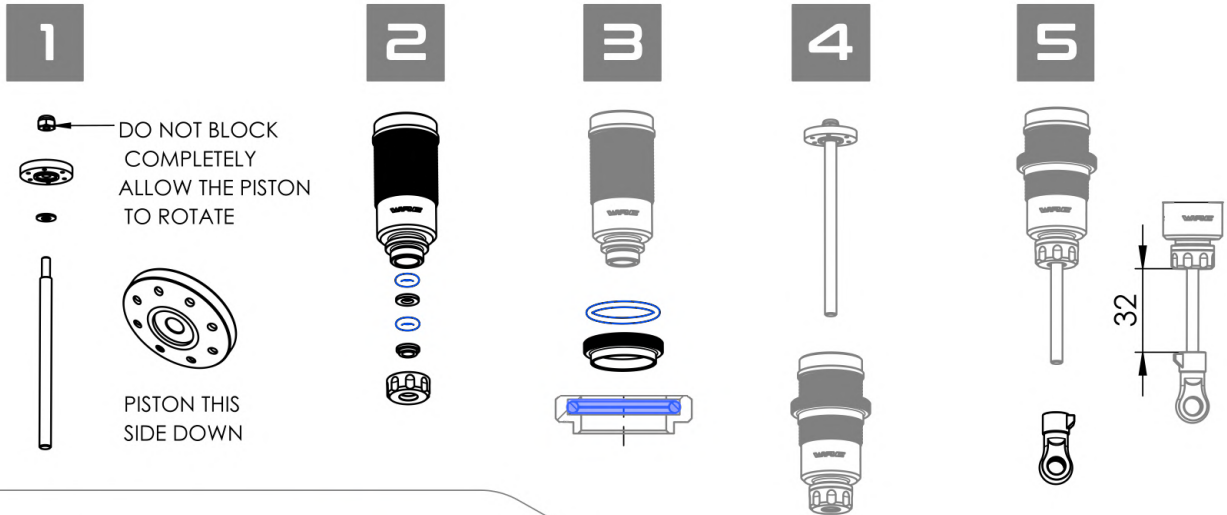
OPTIONAL

ALU STEERING LEVER
03471-23T
03471-25T





ASSEMBLE 2 SETS



6



SHOCK FILLING

Fully extend the piston rod so the piston is at the bottom of the shock body.

Hold the shock upright and fill the shock body with shock oil as in the picture.

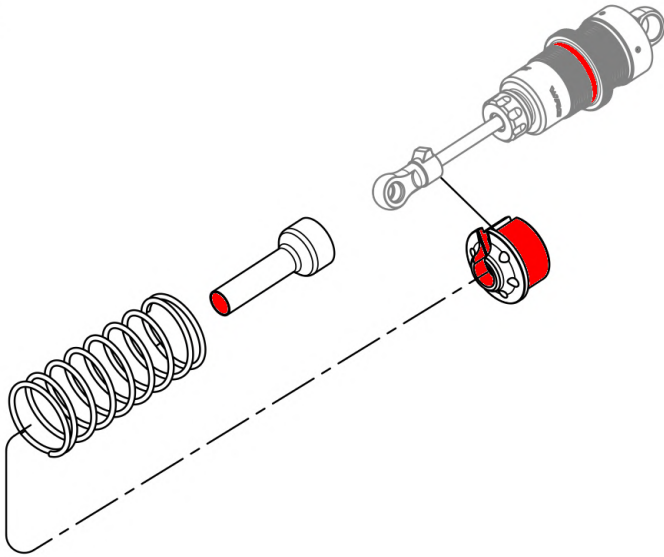
Let the oil settle and allow air bubbles to rise to the top. Slowly move the piston up and down until no more air bubbles appear. Add shock oil as necessary.

Pull the piston rod most of the way out of the shock bod. Let the shock rest for 5 minutes to allow the air bubbles to scape.

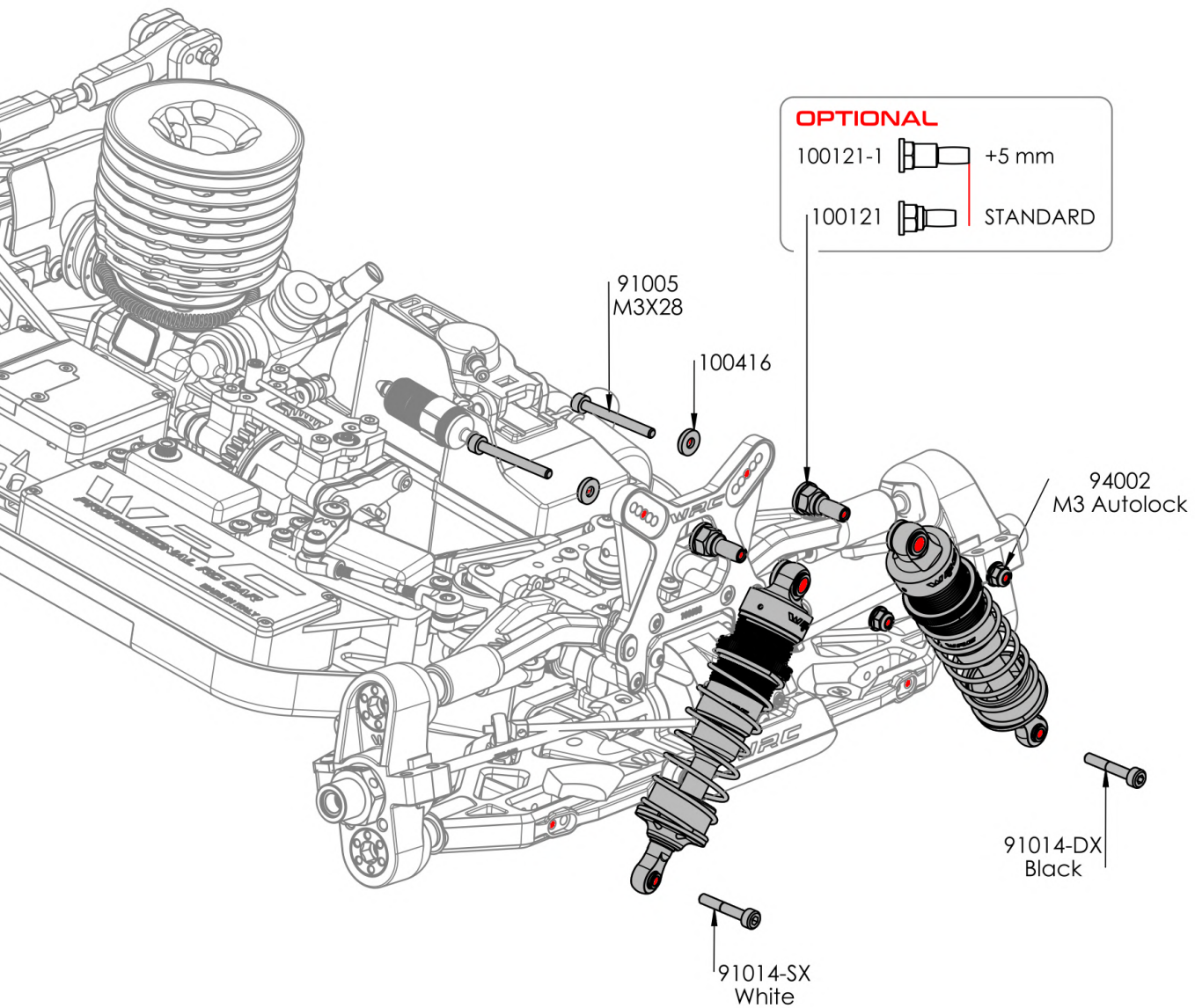
P- ONE SHOCKS OIL

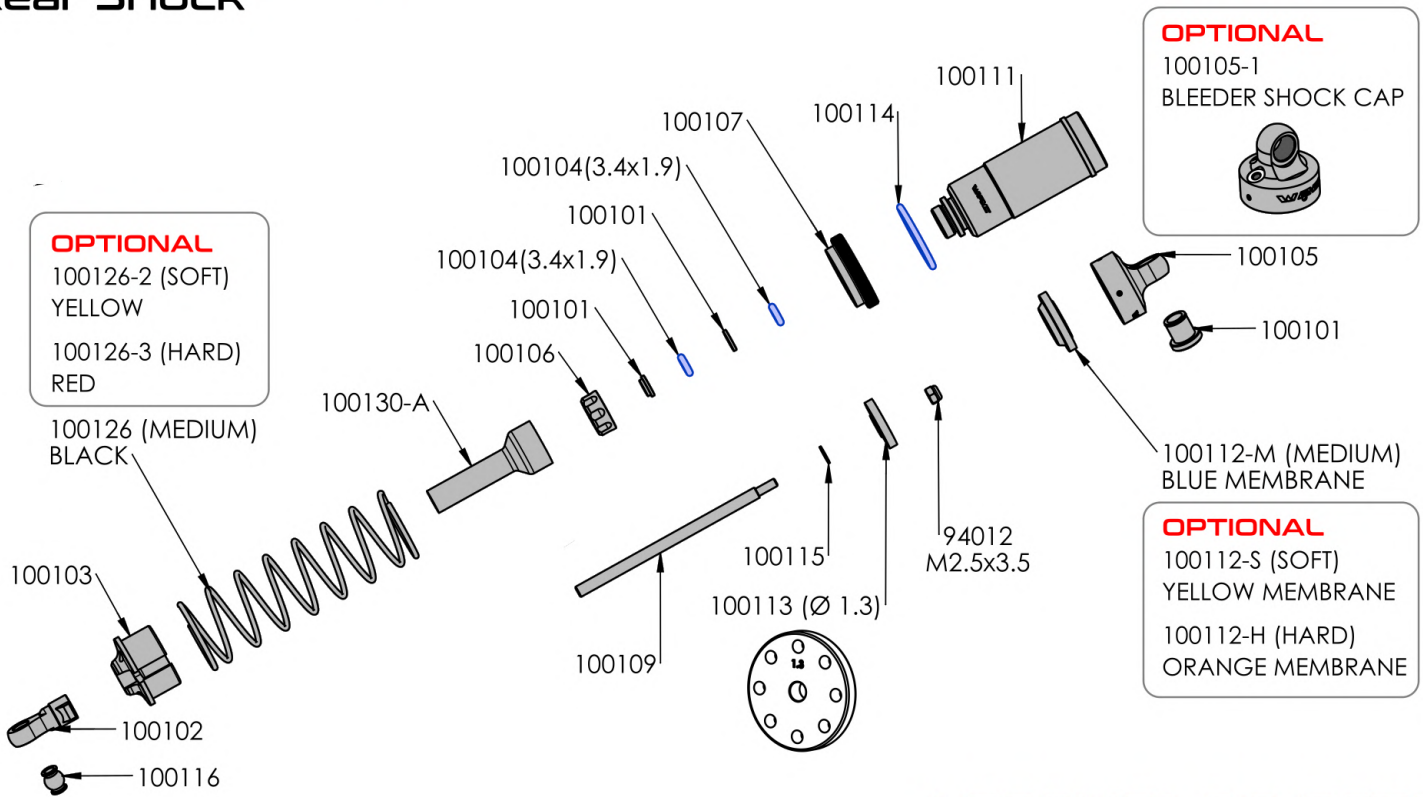
CODE	CST
SO-400	400
SO-500	500
SO-600	600 (IN KIT)
SO-700	700
SO-800	800

7



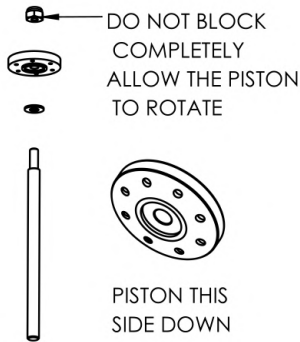
8





ASSEMBLE 2 SETS

1



2



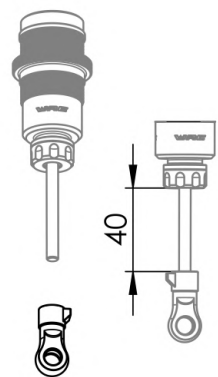
3



4



5



6



SHOCK FILLING

Fully extend the piston rod so the piston is at the bottom of the shock body.

Hold the shock upright and fill the shock body with shock oil as in the picture.

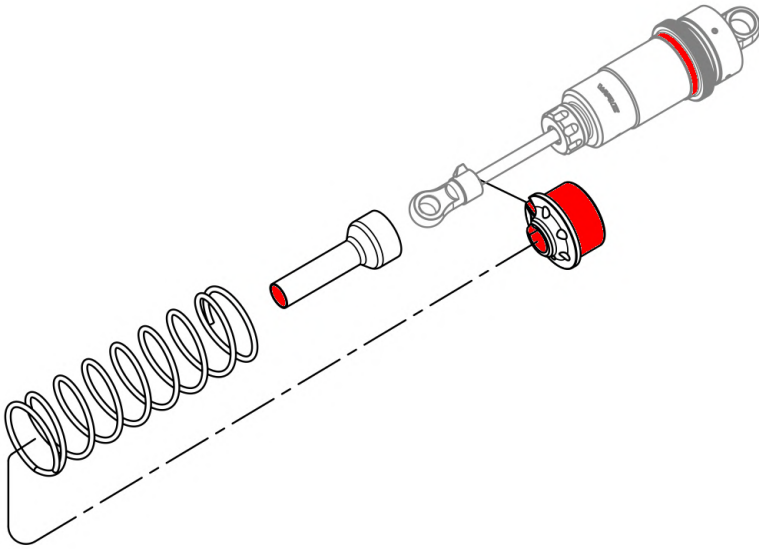
Let the oil settle and allow air bubbles to rise to the top. Slowly move the piston up and down until no more air bubbles appear. Add shock oil as necessary.

Pull the piston rod most of the way out of the shock body. Let the shock rest for 5 minutes to allow the air bubbles to escape.

P- ONE SHOCKS OIL

CODE	CST
SO-400	400
SO-500	500
SO-600	600 (IN KIT)
SO-700	700
SO-800	800

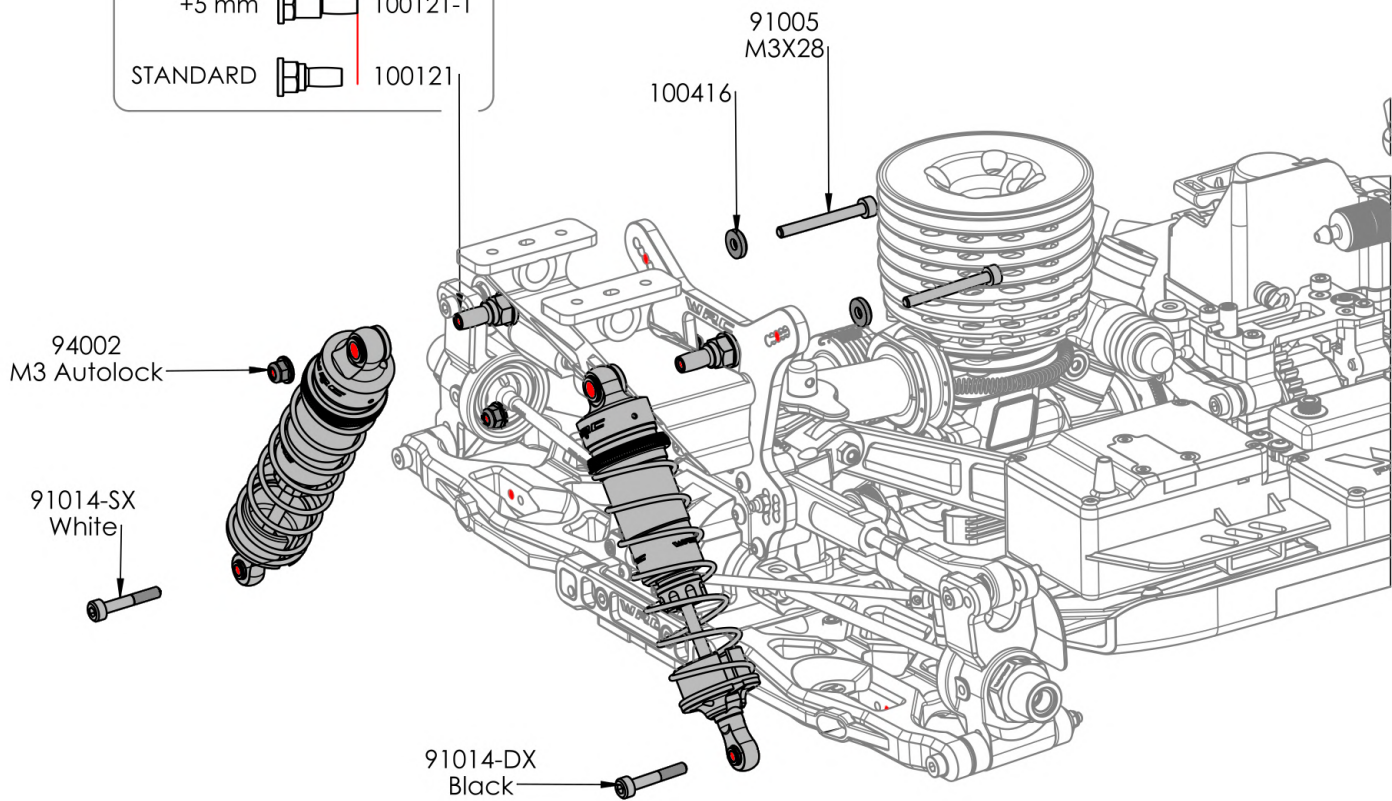
7

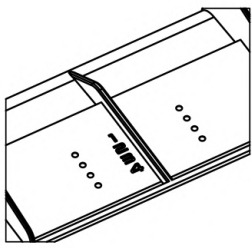


8

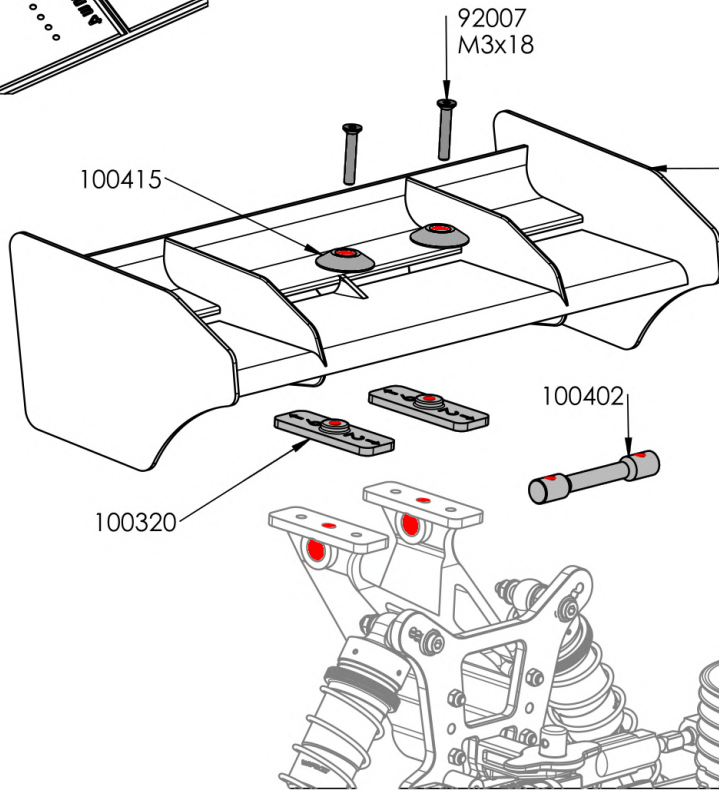


	OPTIONAL	
+5 mm		100121-1
STANDARD		100121





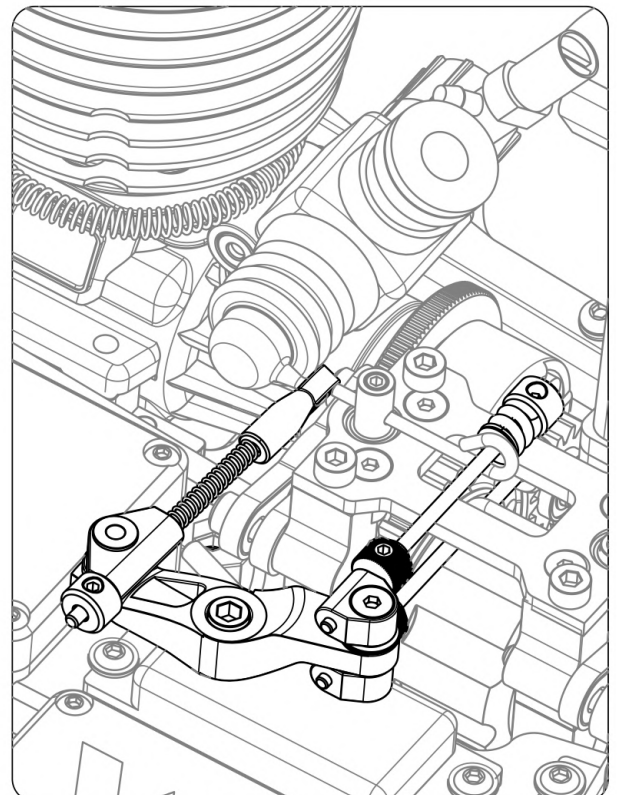
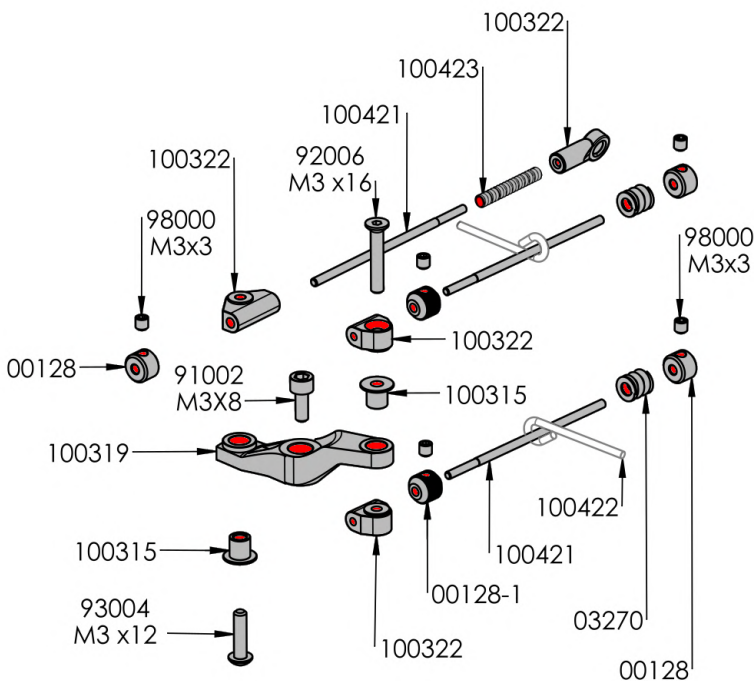
Drill holes on the wing following the reference points

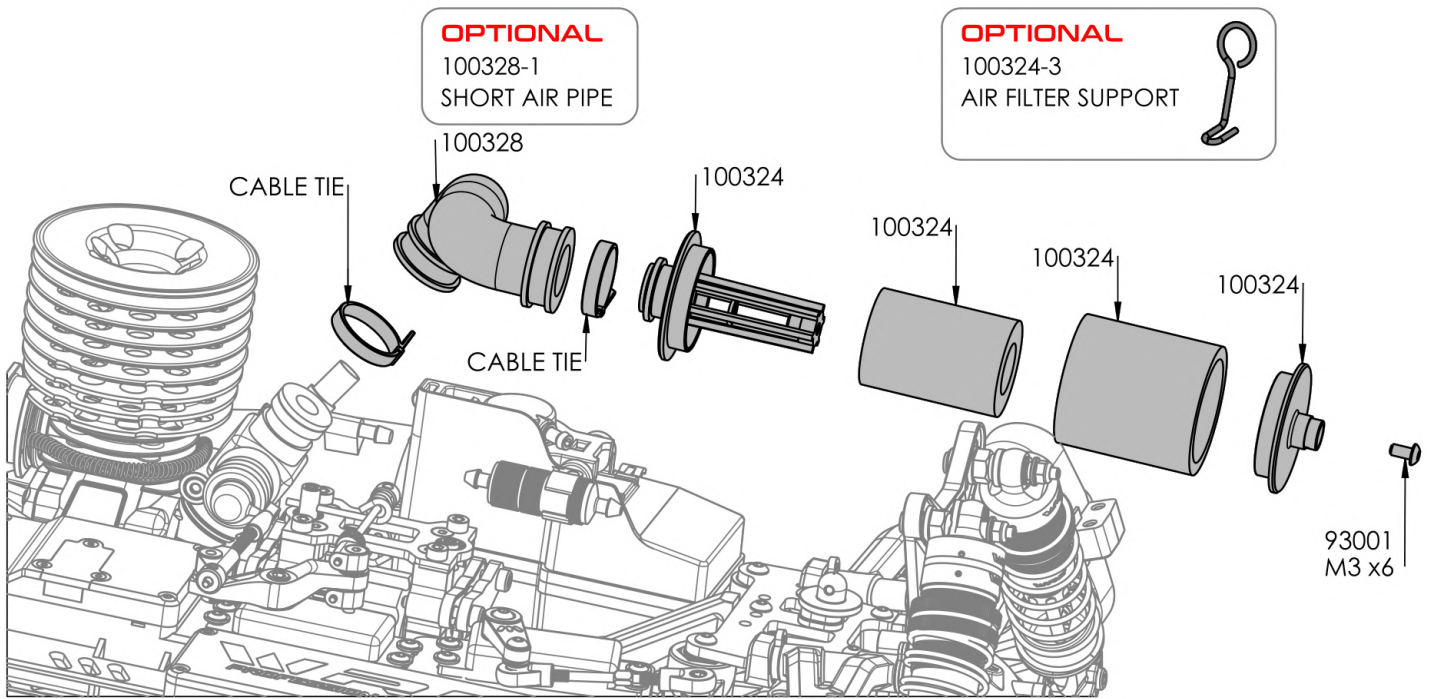


OPTIONAL
 100321-B (Black)
 100321-Y (Fluo Yellow)
 100321-W (White)

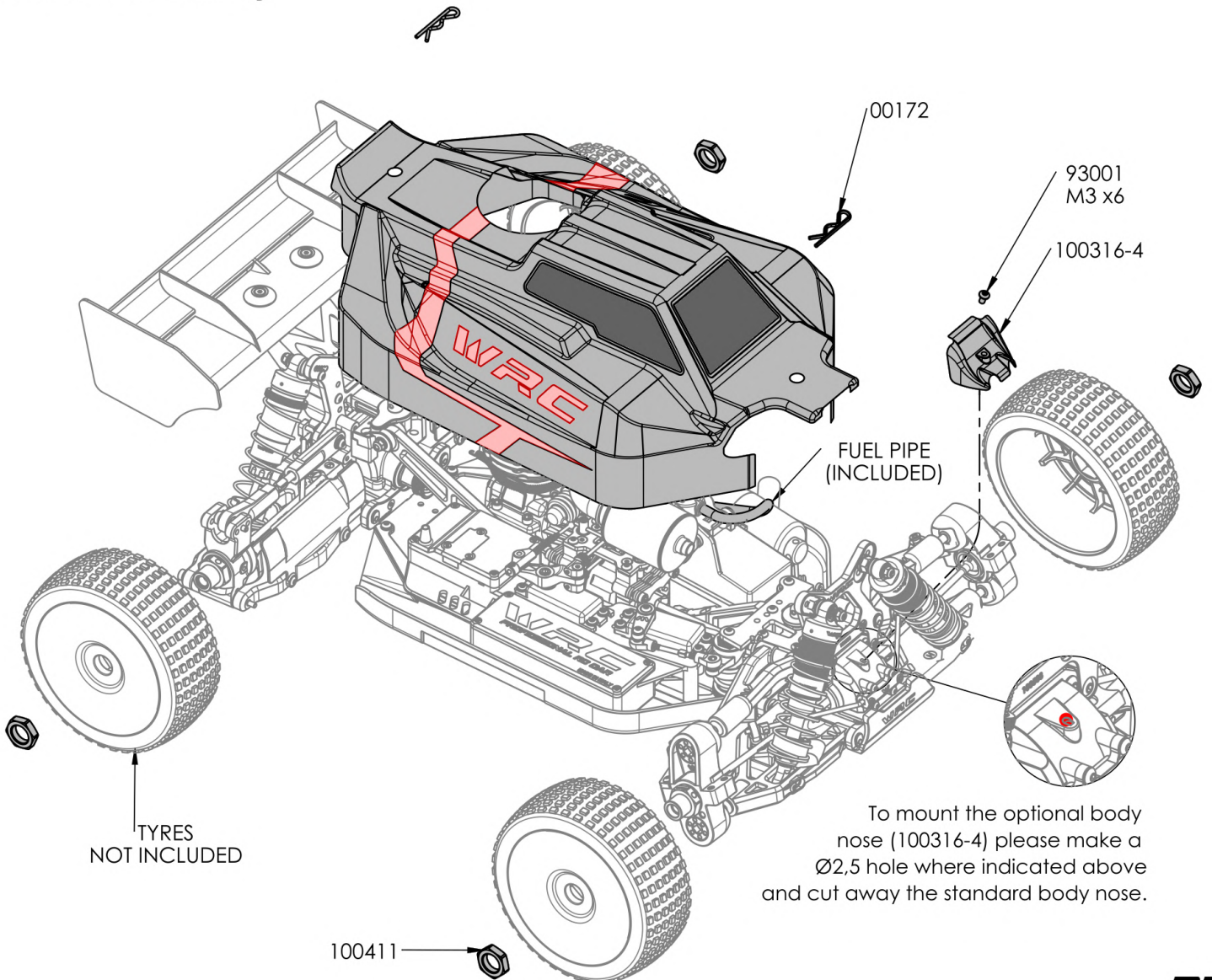
OPTIONAL
 HIGH DOWNFORCE WING
 100321-1B (Black)
 100321-1Y (Fluo Yellow)
 100321-1W (White)

Brake and Throttle leverage





Final Assembly



Driver: _____

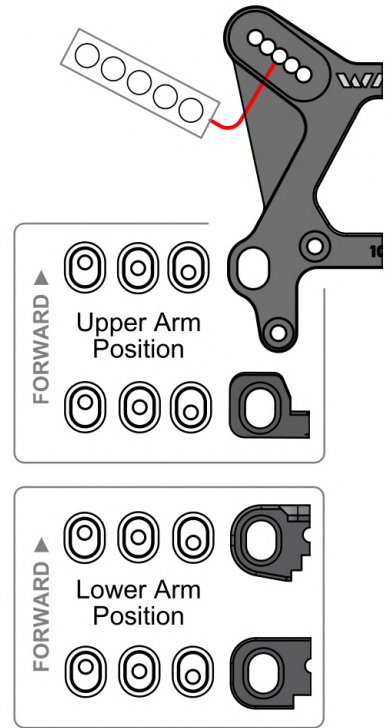
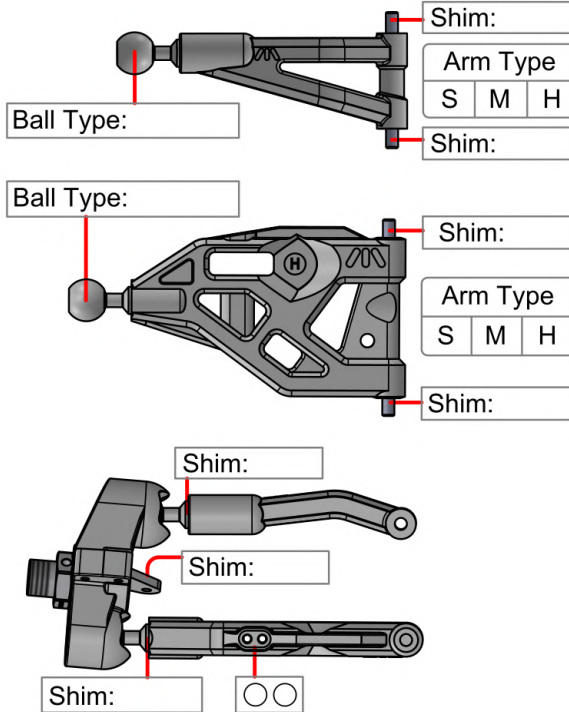
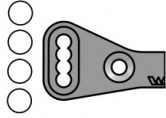
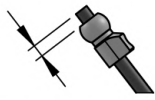
Track: _____

Date: _____

Event: _____

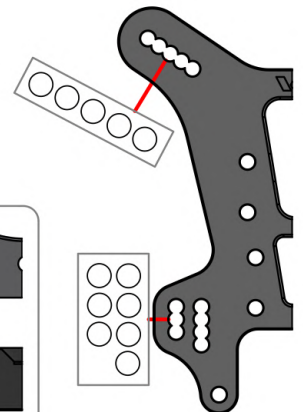
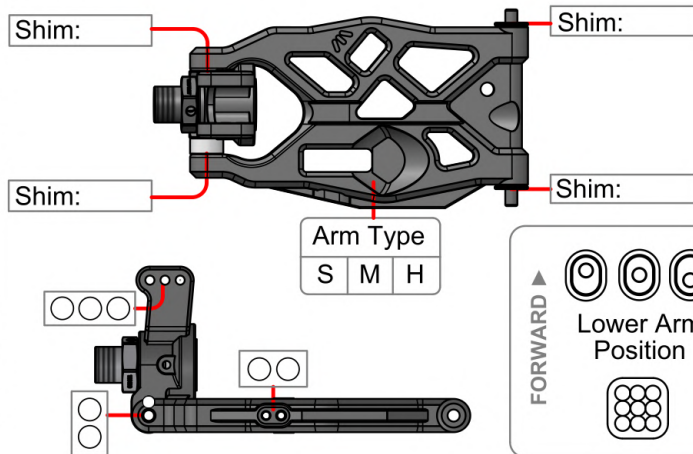
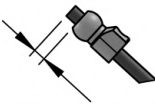
FRONT

Ride Height:
Camber:
Toe:
Anti-Roll Bar
Size:
Gap:
Ackerman
Drive Shaft:
Chassie Brace:
Hex:



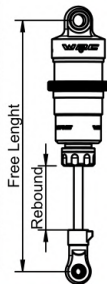
REAR

Ride Height:
Camber:
Toe:
Anti-Roll Bar
Size:
Gap:
Drive Shaft:
Chassie Brace:
Hex:



SHOCKS

	Front	Rear
Piston:		
Membrane:		
Oil:		
Spring:		
Rebound:		
Free Length:		



DIFFERENTIAL

	Front	Center	Rear
Case Mat.:			
Oil:			
Crown Gear:			
Clutch Belt:		Spur Gear	
Shoe:		Spring	

GEARING

TYRES

	Front	Rear
Brand:		
Pattern:		
Insert:		
Wheels:		
Compound:		

ENGINE

Type:
Muffler:
Manifold:
Plug:

BODY & WING

Body:
Wing:
Wing Height:
Gap to tower:

NOTES / OPTIONALS

TRACK

Size :
Traction:
Surface:

Total Vehicle Weight: _____

SBX



WIRC
PROFESSIONAL RC CAR

WWW.WIRC.RACING