

MST

MAX SPEED TECHNOLOGY



RMAX 2.5

Classic

1/10 SCALE RC RWD HIGH PERFORMANCE DRIFT CAR

INSTRUCTION MANUAL

ON ROAD USE ONLY

SPECIFICATION: 1:10 Drift Car
WHEELBASE: 257mm
HEX TO HEX WIDTH: F177 R170
DRIVE MODE: RWD
CASTER: Adjustable 6/ 8/ 10/ 12 degrees

FULL BALL BEARING
HYDRAULIC DAMPER SET

www.rc-mst.com

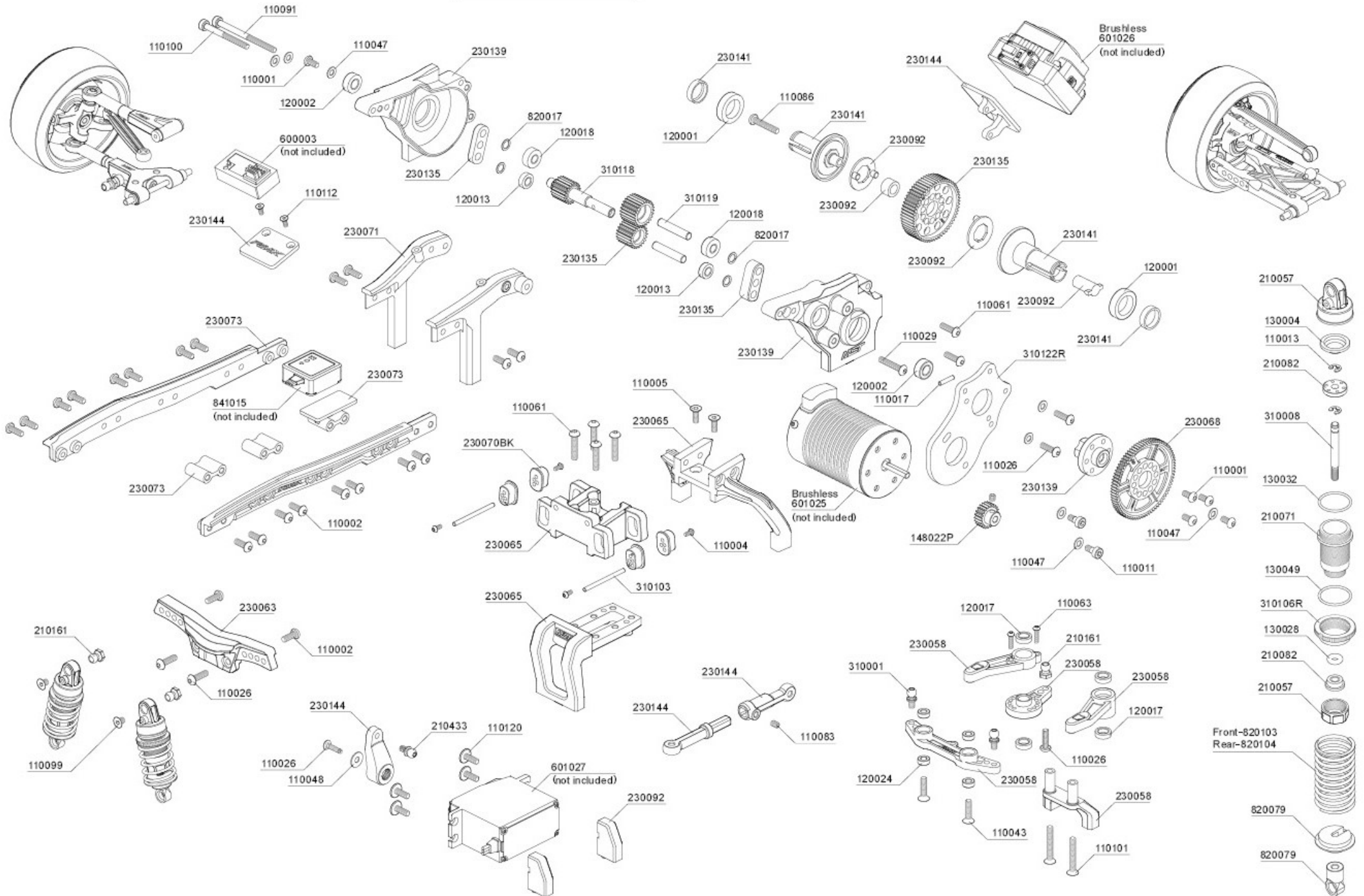
*SPECIFICATION ARE SUBJECT TO CHANGE WITHOUT NOTICE

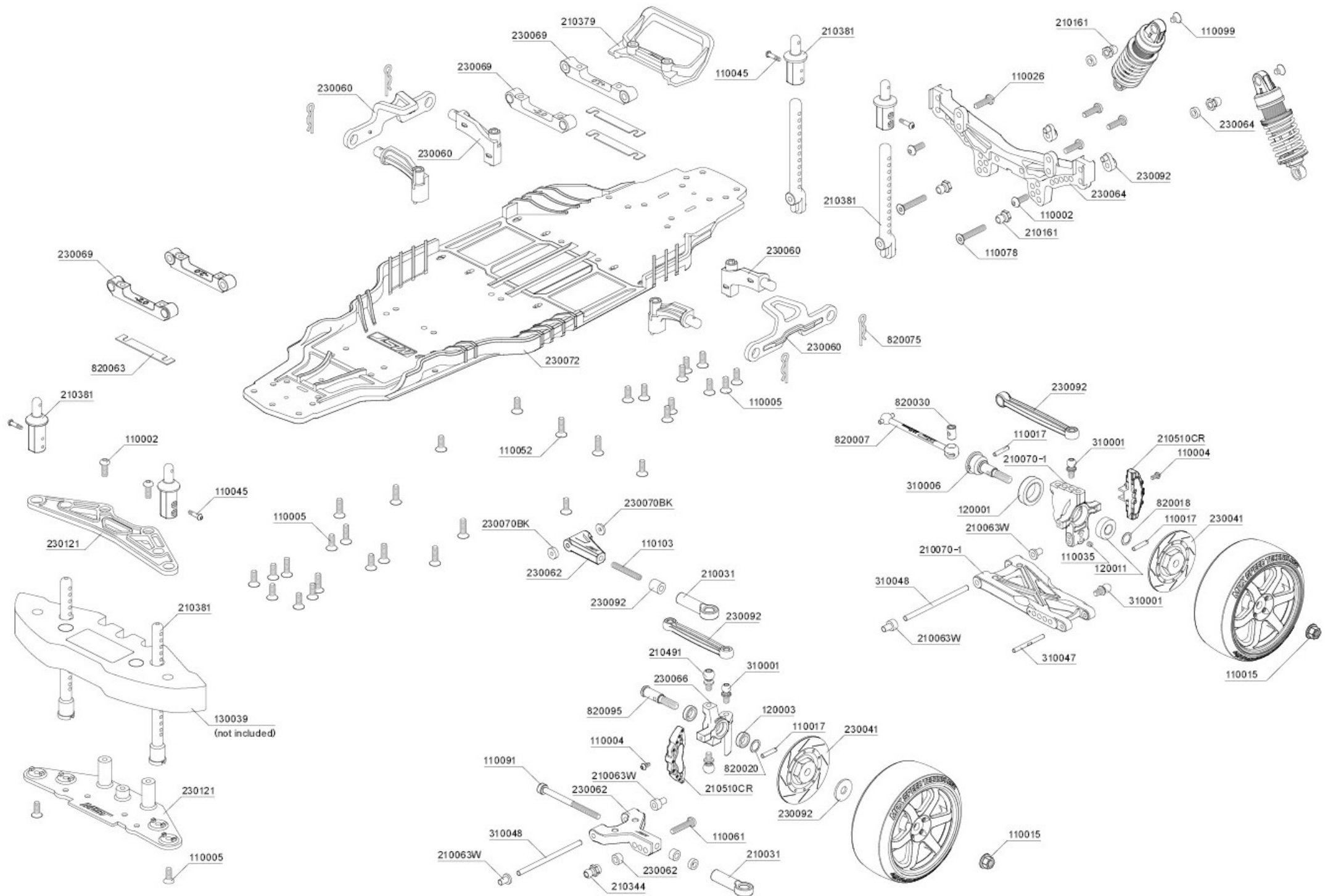
RMX 2.5 Classic

1/10 SCALE RC RWD HIGH PERFORMANCE DRIFT CAR

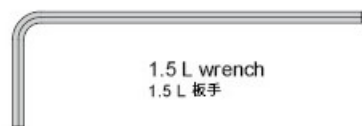
EXPLODED VIEW

MST
MEX SPEED TECHNOLOGY





NECESSARY TOOLS FOR ASSEMBLY 工具需求
 (NOT INCLUDED IN KIT) (另購)



1.5 L wrench
1.5 L 板手

1.5
Hex



2.0 L wrench
2.0 L 板手

2.0
Hex



2.5 L wrench
2.5 L 板手

2.5
Hex



5.5 x 4.0 wrench
5.5 x 4.0 板手

7.0

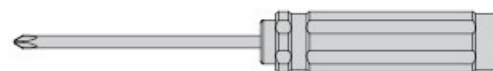


5.5 & 7.0 alum. wrench
5.5 & 7.0 套筒板手

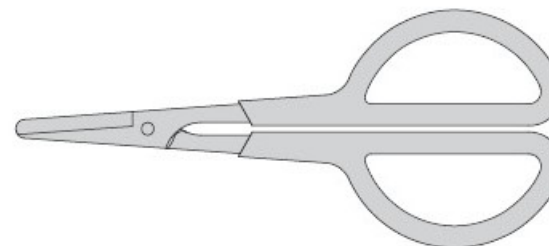
5.5



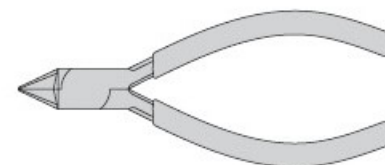
Hobby knife
美工刀



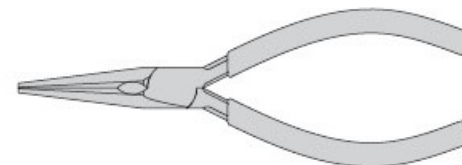
Screwdriver
螺絲起子



Scissors
剪刀



Side cutter
斜口鉗



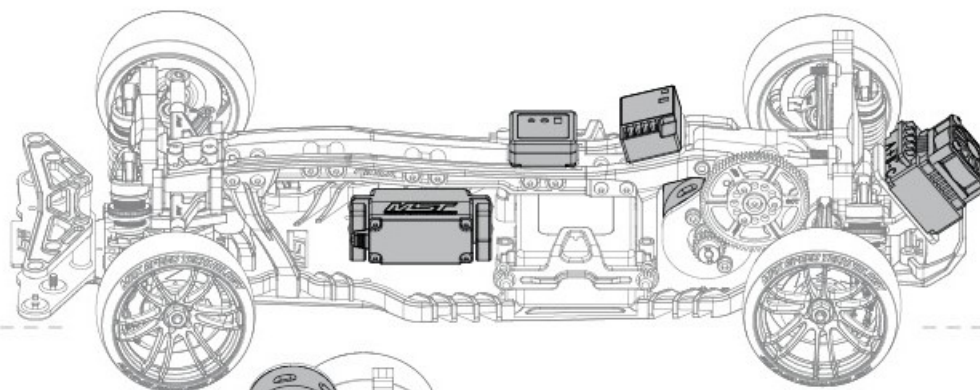
Needle nose pliers
尖嘴鉗

Please follow the assembling figures and instructions closely
 for your [RMX 2.5 Classic] best performance!

請依照說明書圖示步驟安裝以發揮 [RMX 2.5 Classic] 最好效能!

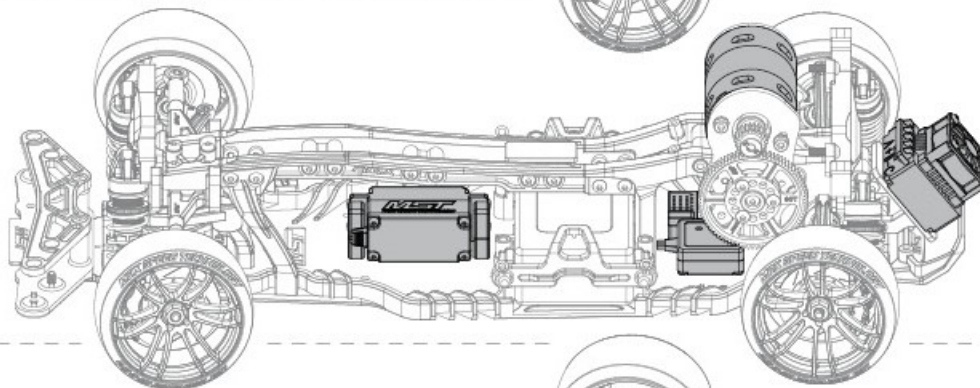
RMX Motor LCG Mode (Original setting)

RMX低重心模式 (原廠設定)



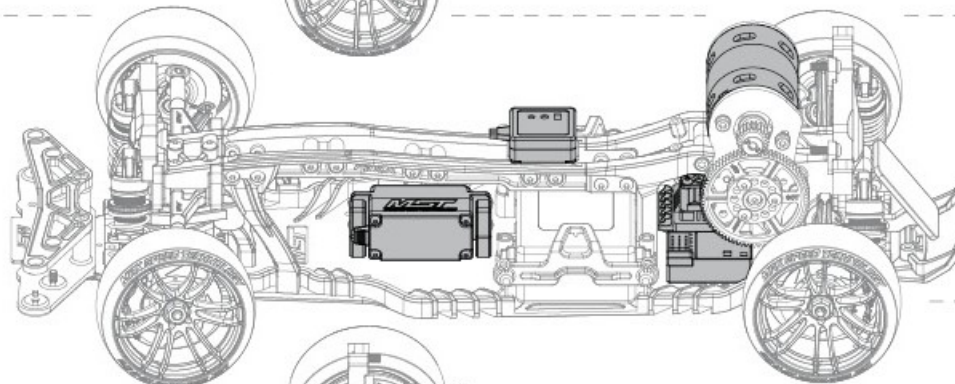
RMX Motor HCG Mode 1

RMX高重心模式1



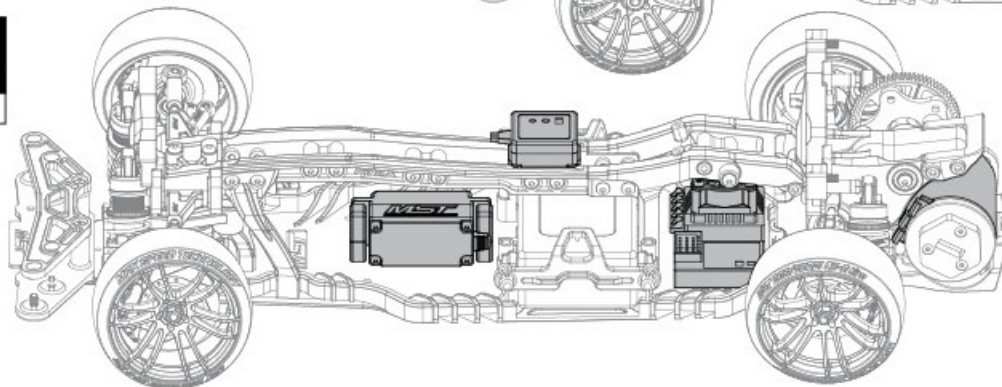
RMX Motor HCG Mode 2

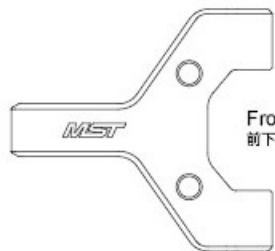
RMX高重心模式2



RRX Mode - need to purchase 210660 additionally

RRX模式 - 需另購210660 RMX轉換RRX套件組





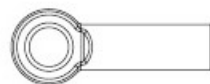
Front lower arm ×2
前下擺臂



Suspension mount (-2.0) ×2
下擺臂座 (-2.0)



Suspension mount spacer 0.5mm ×1
擺臂座墊片 0.5mm



5.8×26 Adjuster ×2
拉桿頭



2.5×3 Shaft bush ×2
軸心轉接套



2.5×1 Shaft bush ×2
軸心轉接套



3×5.5×3 Spacer ×4
墊片



3×5.5×2 Spacer ×2
墊片



2.5×46 Arm shaft ×2
擺臂插銷



M3×40 screw ×2
有頭螺絲(半牙)



M3×16 screw ×2
圓頭螺絲

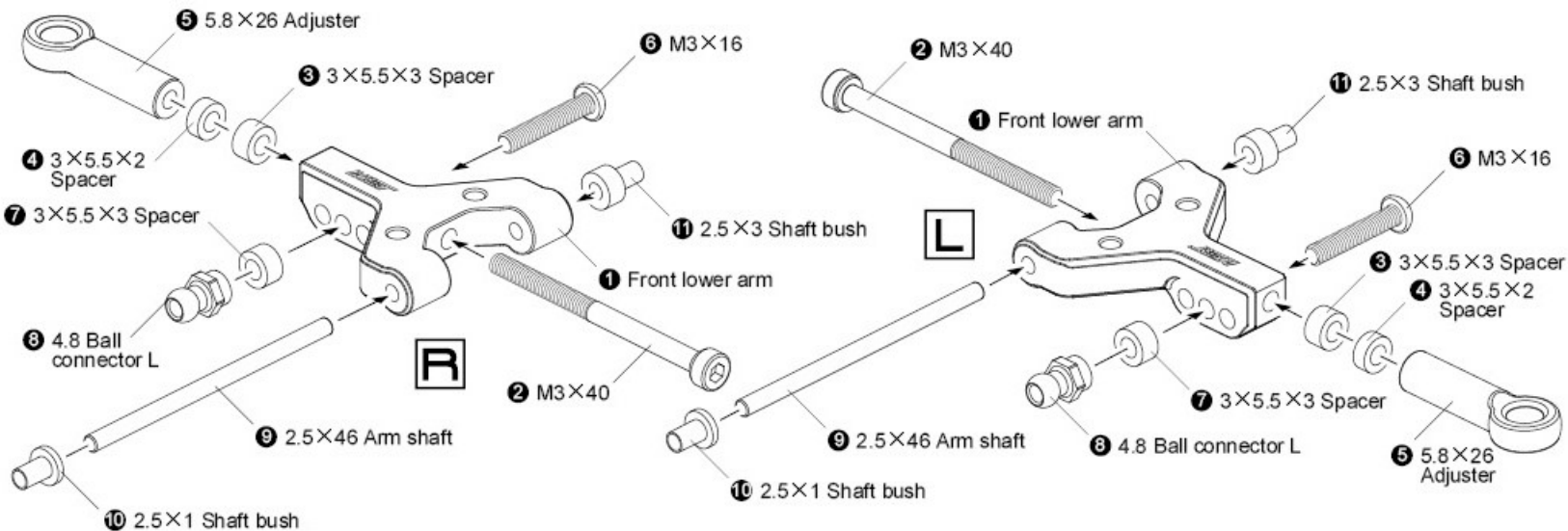


M3×8 screw ×4
沉頭螺絲

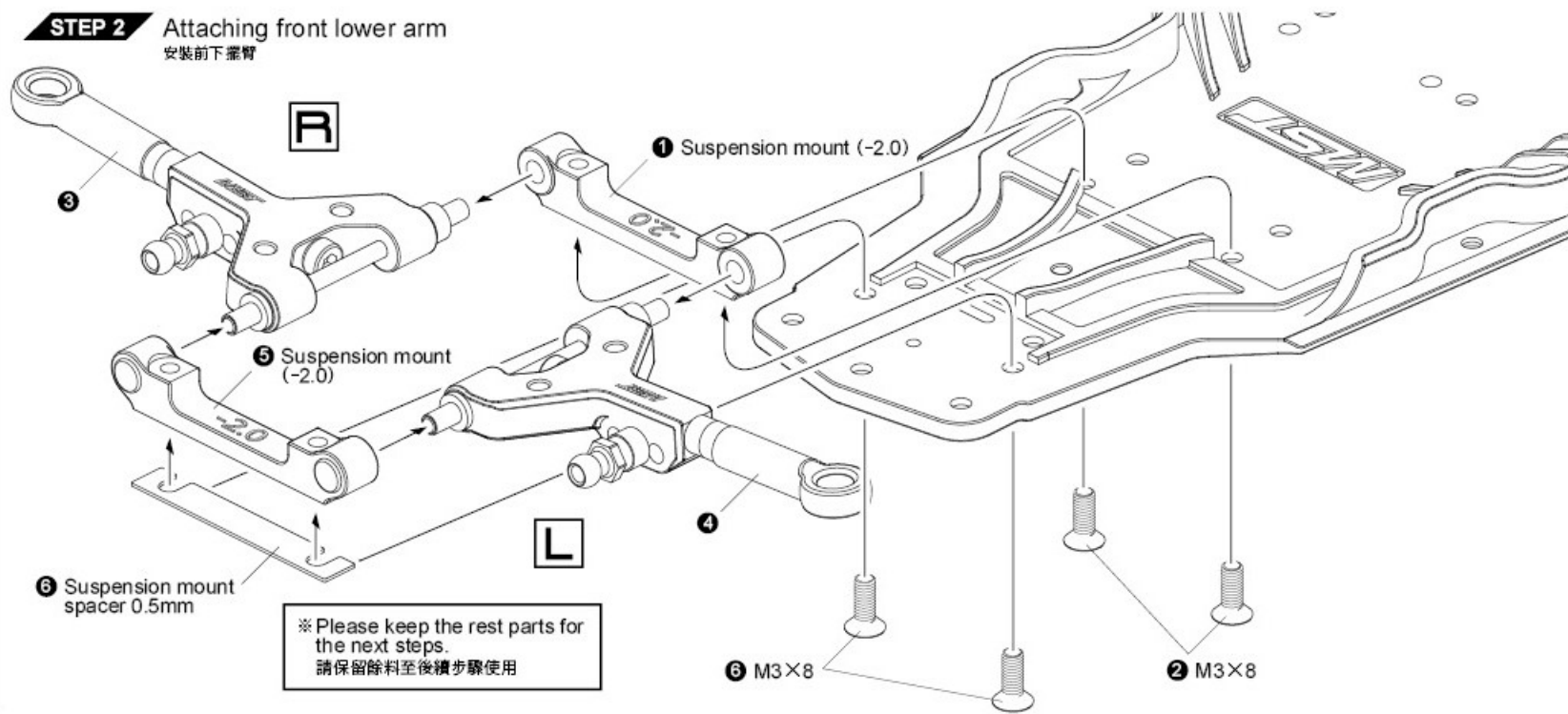


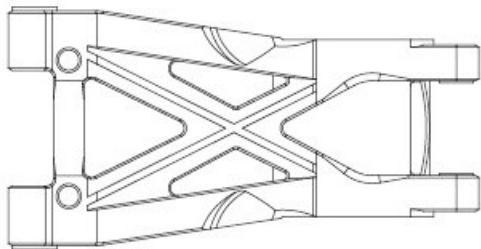
4.8 Ball connector L ×2
外六角球頭(長)

STEP 1 Front lower arm assembly
前下擺臂組裝



STEP 2 Attaching front lower arm
安裝前下擺臂





Rear lower arm ×2
後下擺臂



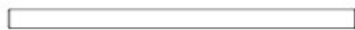
Suspension mount (-2.0) ×1
下擺臂座 (-2.0)



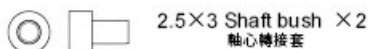
Suspension mount (+1.0) ×1
下擺臂座 (+1.0)



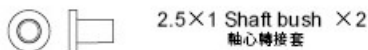
Suspension mount spacer 0.5mm ×2
擺臂座墊片 0.5mm



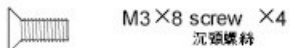
2.5×46 Arm shaft ×2
擺臂插軸



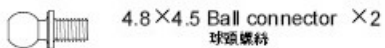
2.5×3 Shaft bush ×2
軸心轉接套



2.5×1 Shaft bush ×2
軸心轉接套

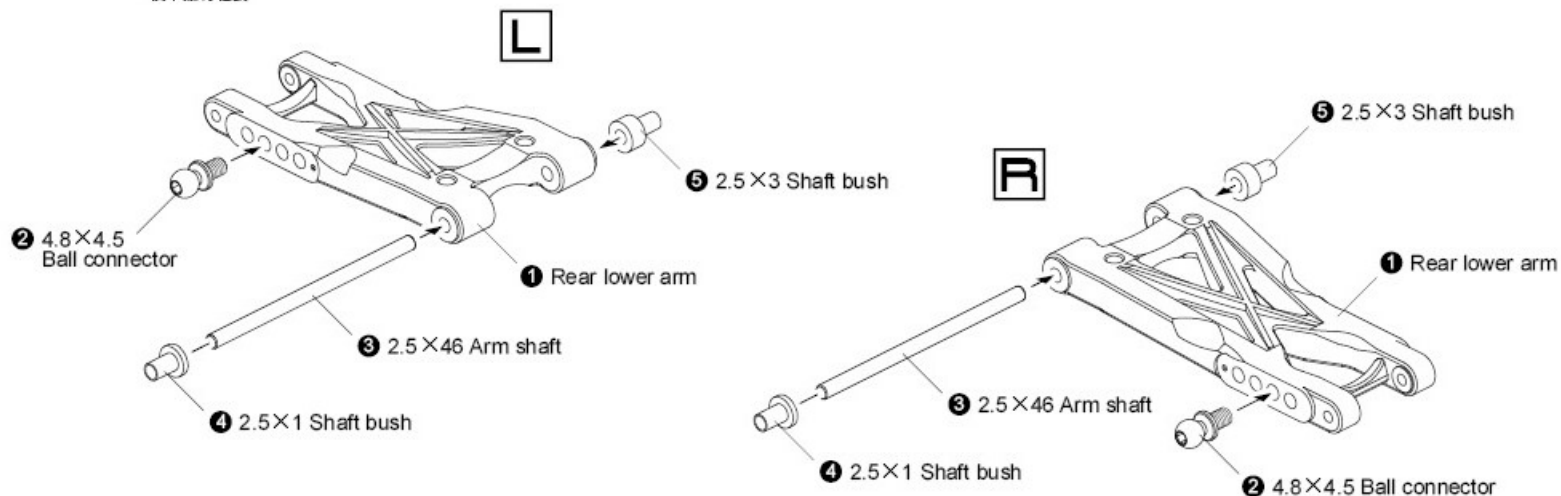


M3×8 screw ×4
沉頭螺絲

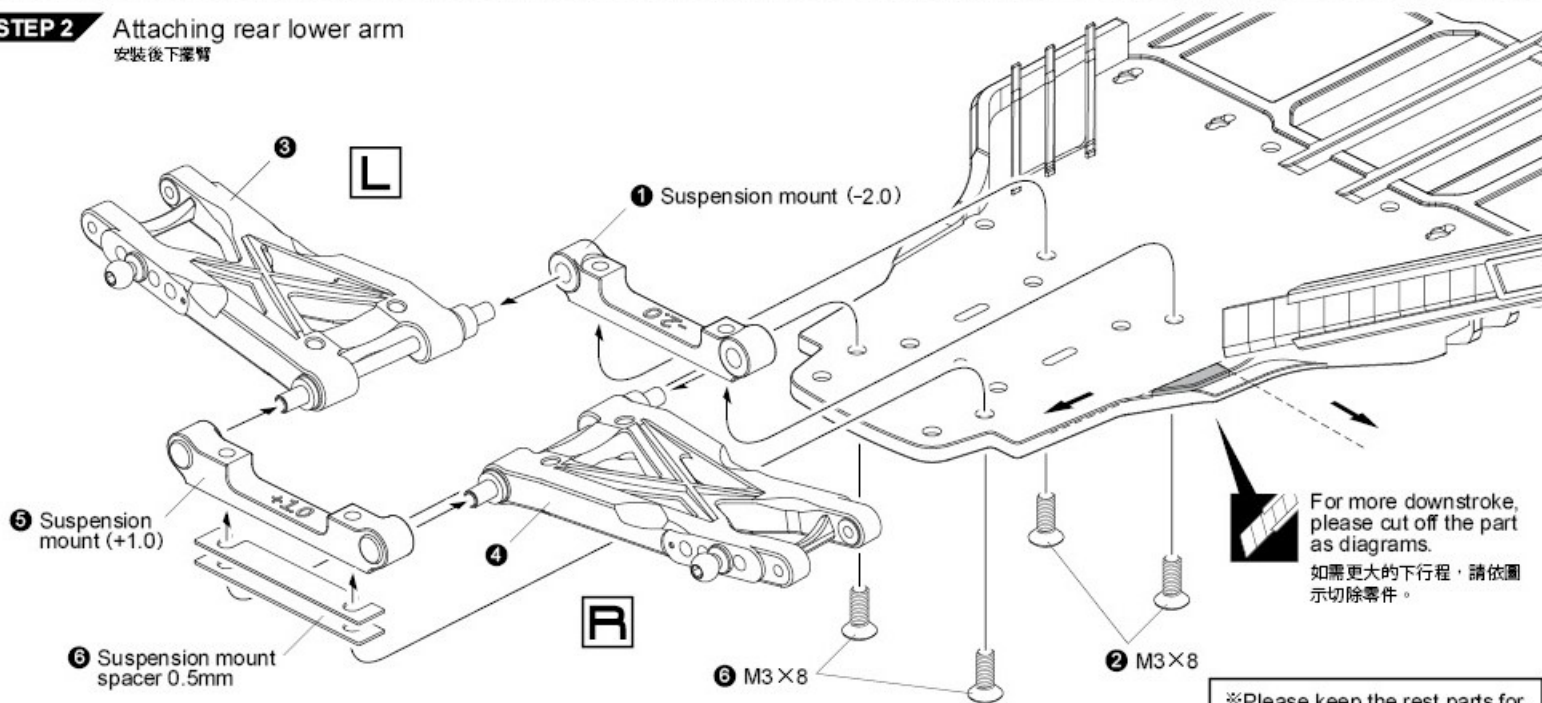


4.8×4.5 Ball connector ×2
球頭螺絲

STEP 1 Rear lower arm assembly
後下擺臂組裝

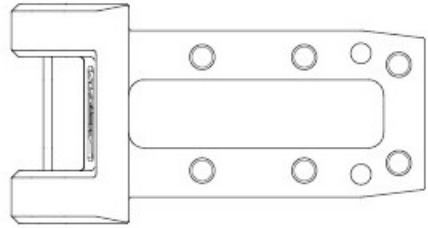


STEP 2 Attaching rear lower arm
安裝後下擺臂

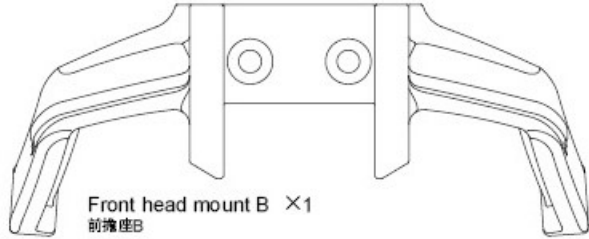


For more downstroke, please cut off the part as diagrams.
如需更大的下行程，請依圖示切除零件。

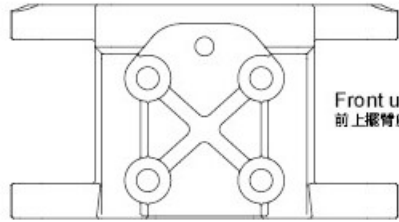
※Please keep the rest parts for the next steps.
請保留餘料至後續步驟使用



Front head mount A ×1
前擋座A



Front head mount B ×1
前擋座B



Front upper arm mount ×1
前上擺臂座



Front upper arm ×2
前上擺臂
Bag 1



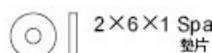
5.8×26 Adjuster ×2
拉桿頭



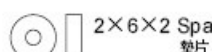
Arm shaft bush A ×2
擺臂襯套 A



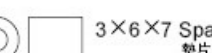
Arm shaft bush B ×2
擺臂襯套 B



2×6×1 Spacer ×2
墊片



2×6×2 Spacer ×2
墊片



3×6×7 Spacer ×2
墊片

M2×4 screw ×4
圓頭螺絲

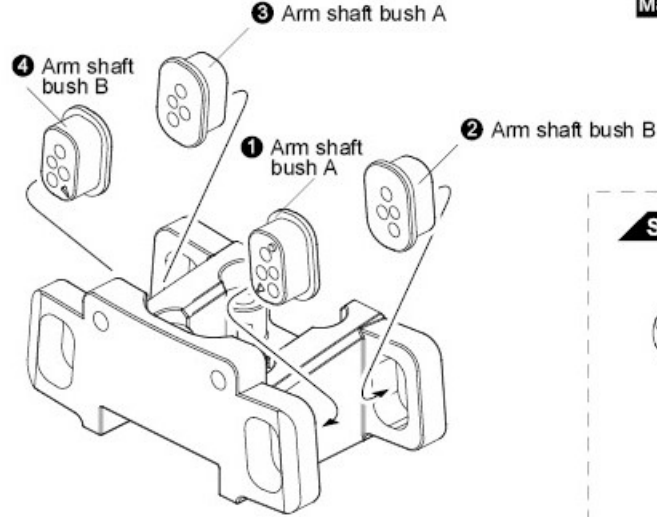
M3×8 screw ×2
沉頭螺絲

M3×14 screw ×4
圓頭螺絲

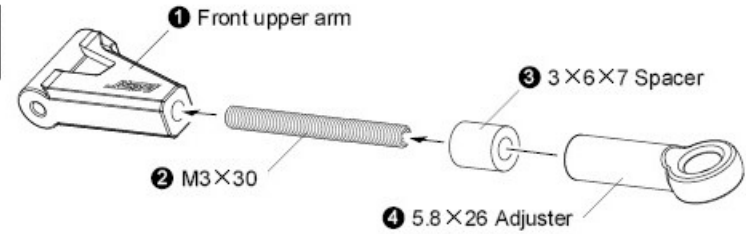
M3×30 screw ×2
止付螺絲

2×28 shaft ×2
插銷

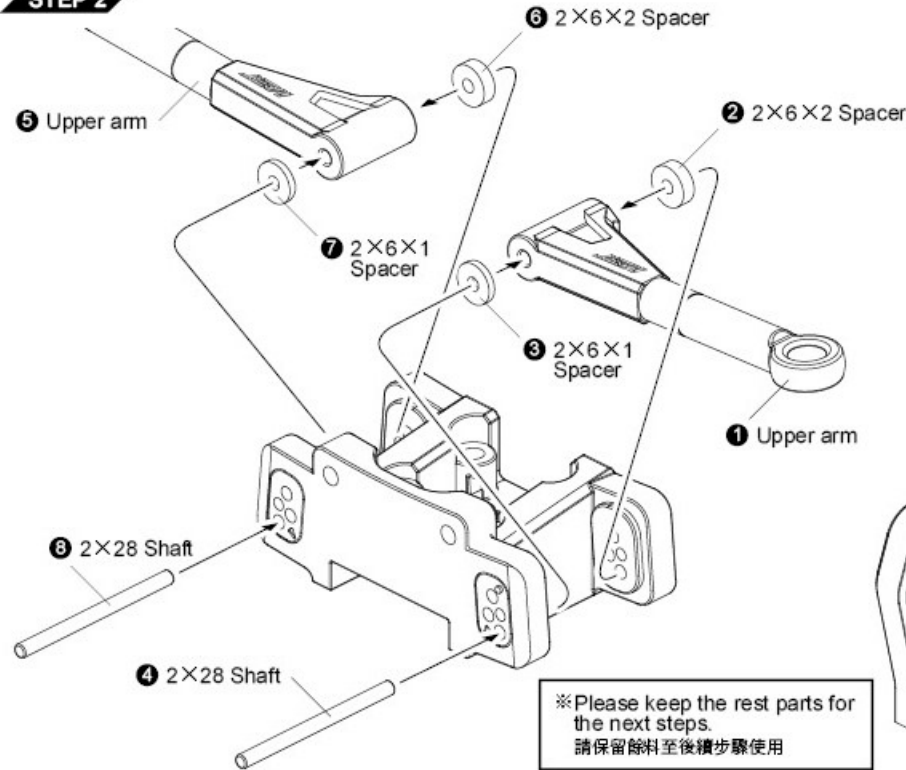
STEP 1 Front upper arm assembly
前上擺臂組裝



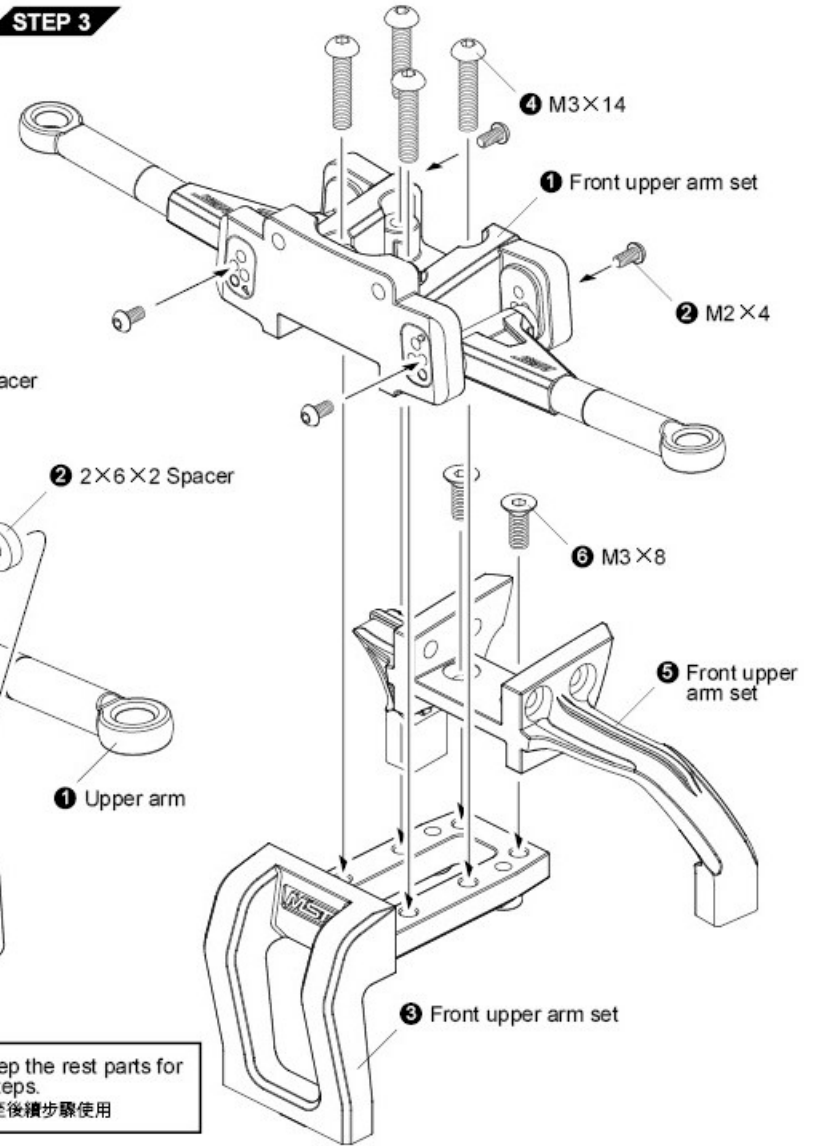
X2
Make 2




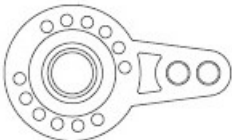
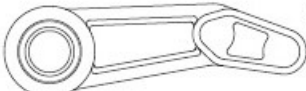

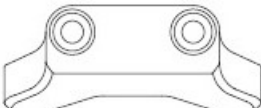









STEP 2



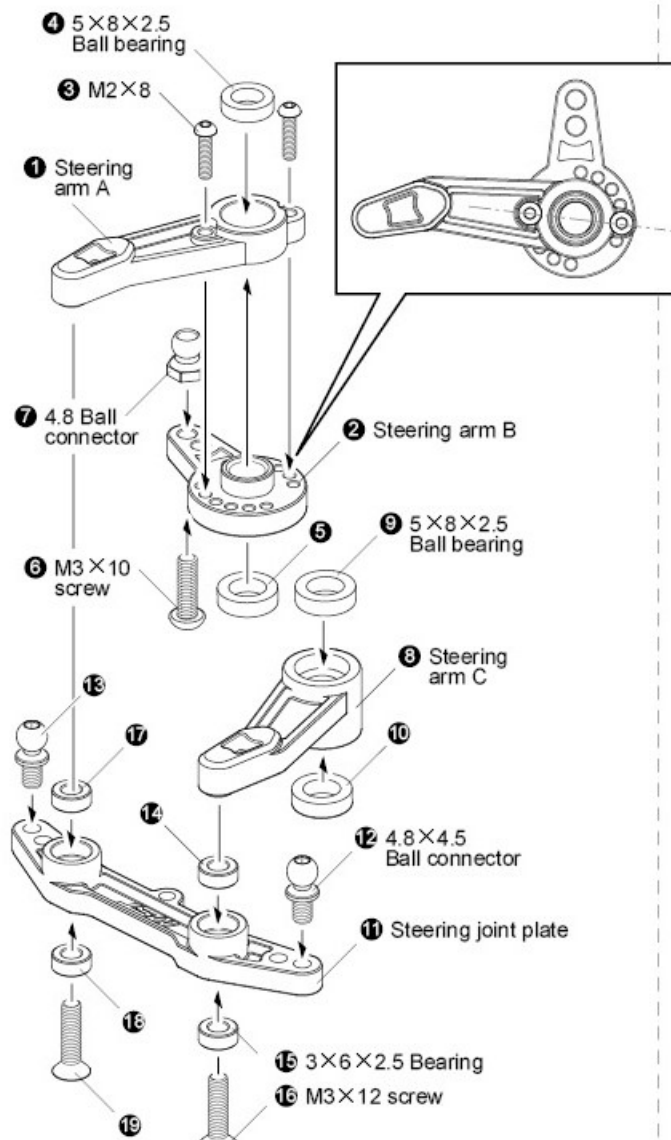
STEP 3



※Please keep the rest parts for the next steps.
請保留餘料至後續步驟使用

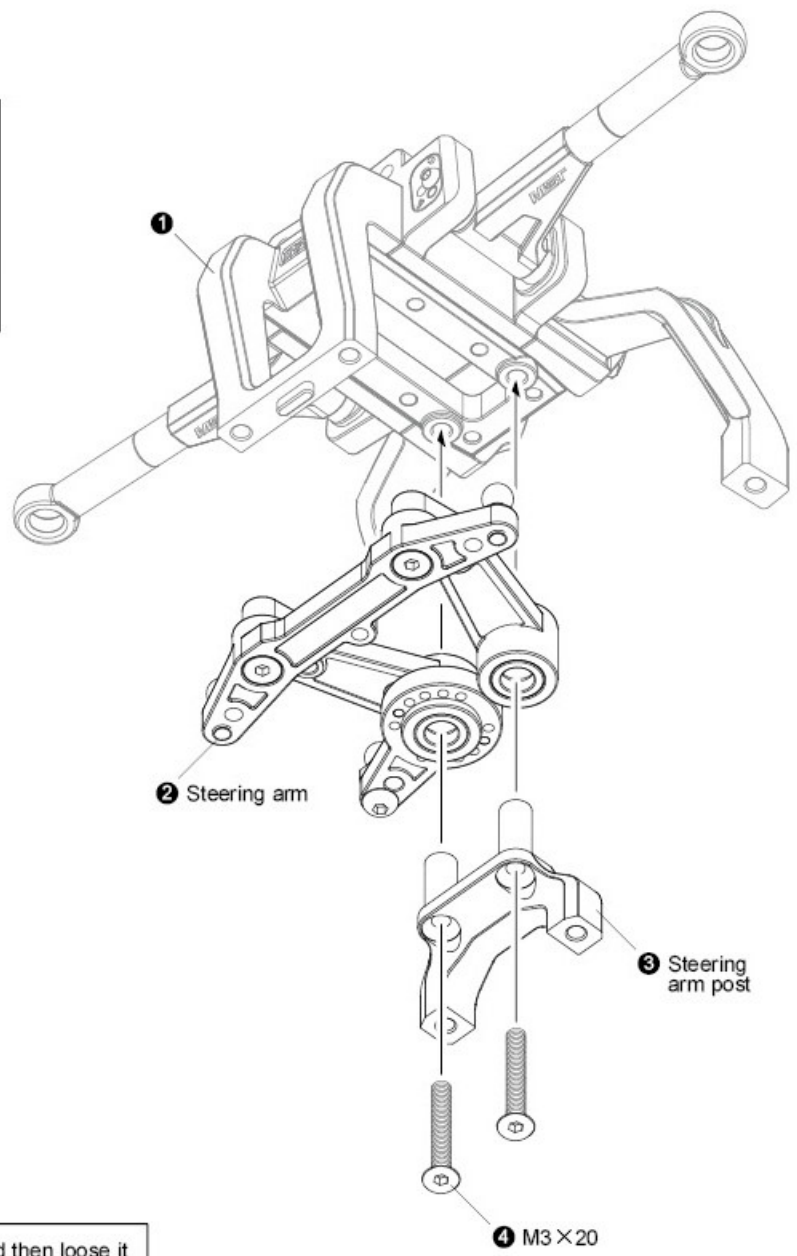
-  Steering arm A ×1
轉向搖臂 A
-  Steering arm B ×1
轉向搖臂 B
-  Steering arm C ×1
轉向搖臂 C
-  Steering joint plate ×1
轉向連接板
-  Steering arm post ×1
轉向搖臂支柱
-  M3×20 screw ×2
沉頭螺絲
-  M3×12 screw ×2
沉頭螺絲
-  M3×10 screw ×1
圓頭螺絲
-  M2×8 screw ×2
圓頭螺絲
-  4.8×4.5 Ball connector ×2
球頭螺絲
-  4.8 Ball connector ×1
外六角球頭
-  5×8×2.5 Bearing ×4
軸承
-  3×6×2.5 Bearing ×4
軸承
-  3×5.5×2 Spacer ×1
墊片

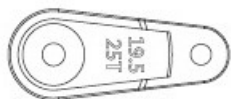
STEP 1 Steering arm assembly
轉向搖臂組裝



! Tighten M3×12 screw first, and then loose it till the steering joint plate turning freely.
先稍微旋緊M3×12螺絲再放鬆至轉向連接板可自由轉動無阻力。

STEP 2 Attaching steering arm
安裝轉向搖臂組

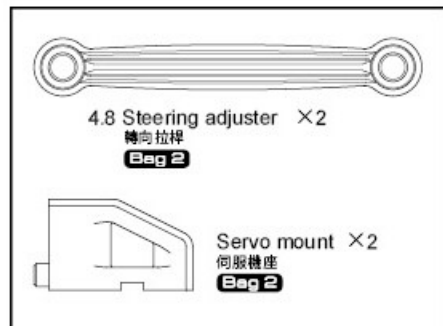




Servo horn 25T × 1
25T 伺服片



Servo horn 23T × 1
23T 伺服片



4.8 Steering adjuster × 2
轉向拉桿

Bag 2

Servo mount × 2
伺服機座

Bag 2



4.8 Servo adjuster A × 1
伺服拉桿 A



4.8 Servo adjuster B × 1
伺服拉桿 B



M3×8 screw × 4
圓頭螺絲



M3×8 screw × 1
圓頭螺絲



2.6×10 screw × 1
自攻圓頭螺絲



M3×10 screw × 8
沉頭螺絲



4.8×4.5 S Ball connector × 1
球頭螺絲



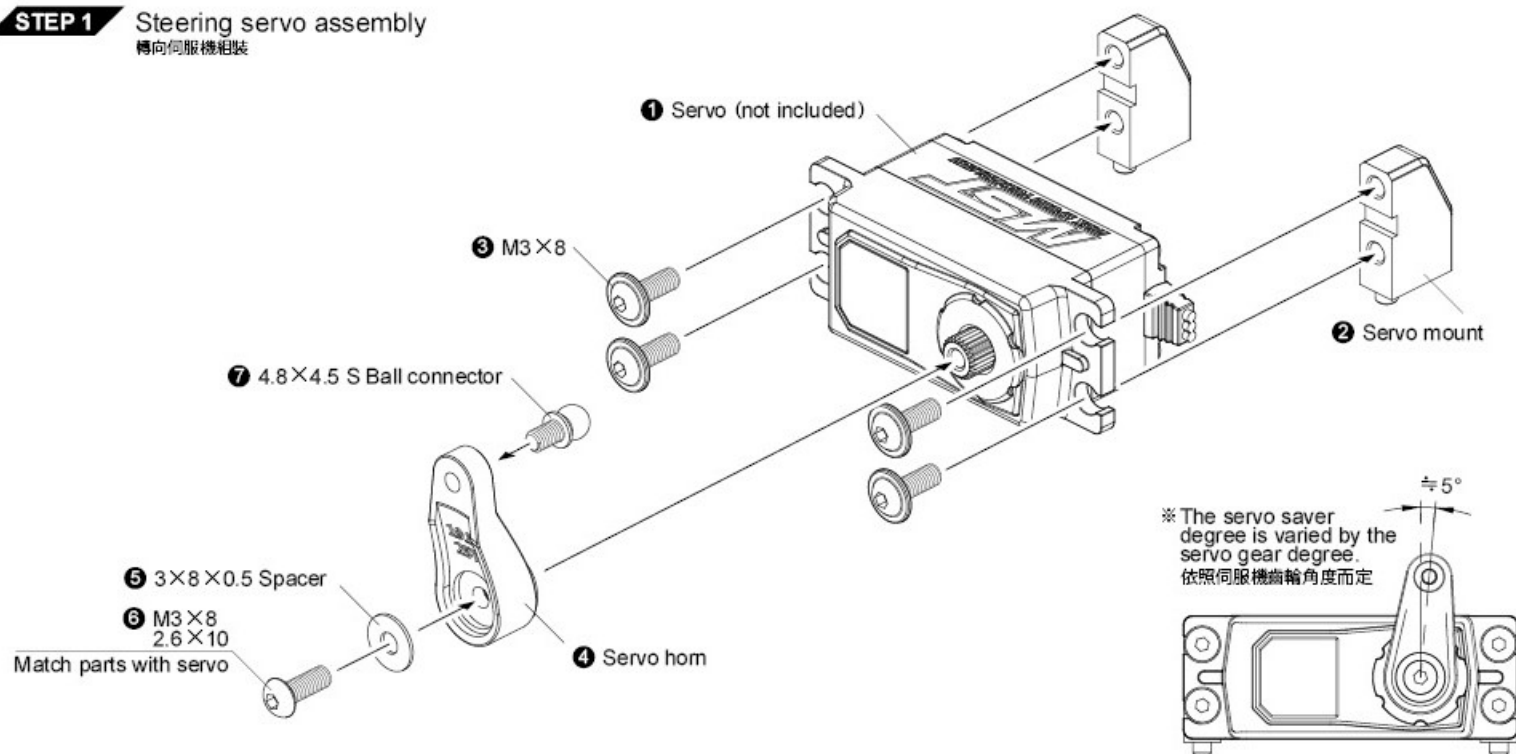
3×8×0.5 Spacer × 1
墊片



M3×4 screw × 1
止付螺絲

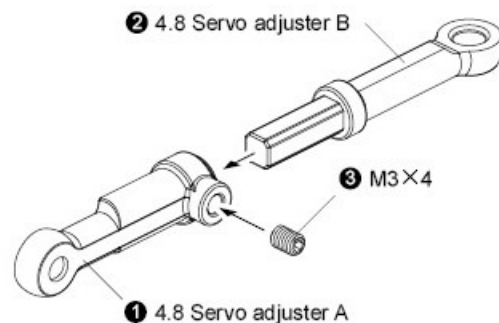
STEP 1 Steering servo assembly

轉向伺服機組裝

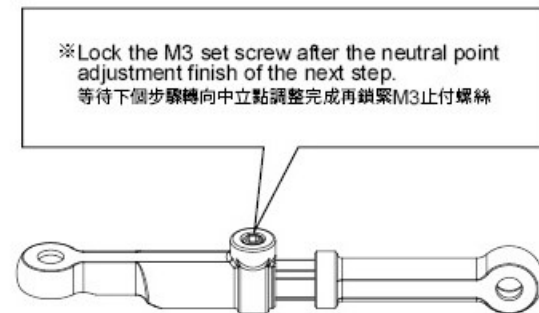


STEP 2 Servo saver turnbuckle assembly

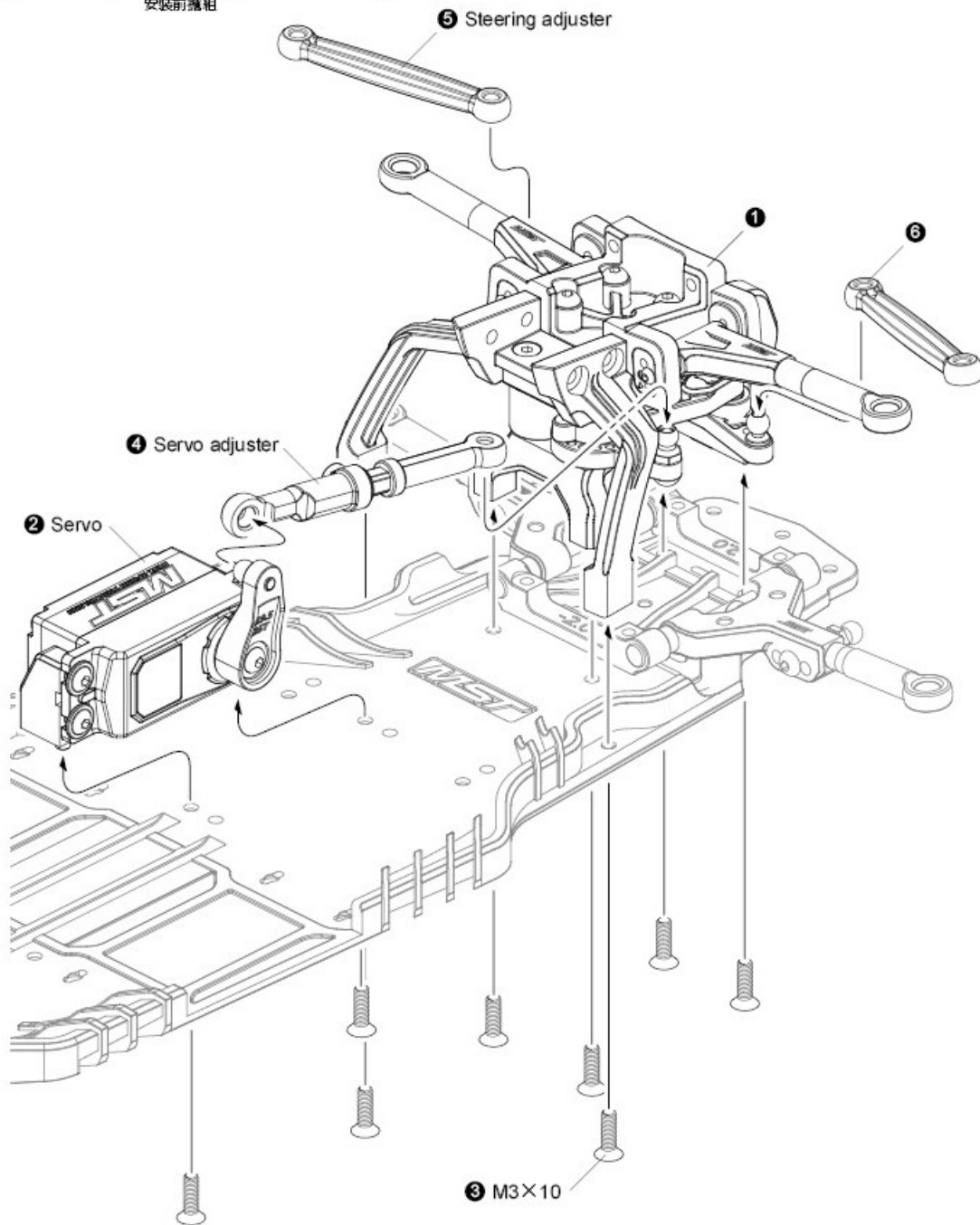
伺服拉桿組裝



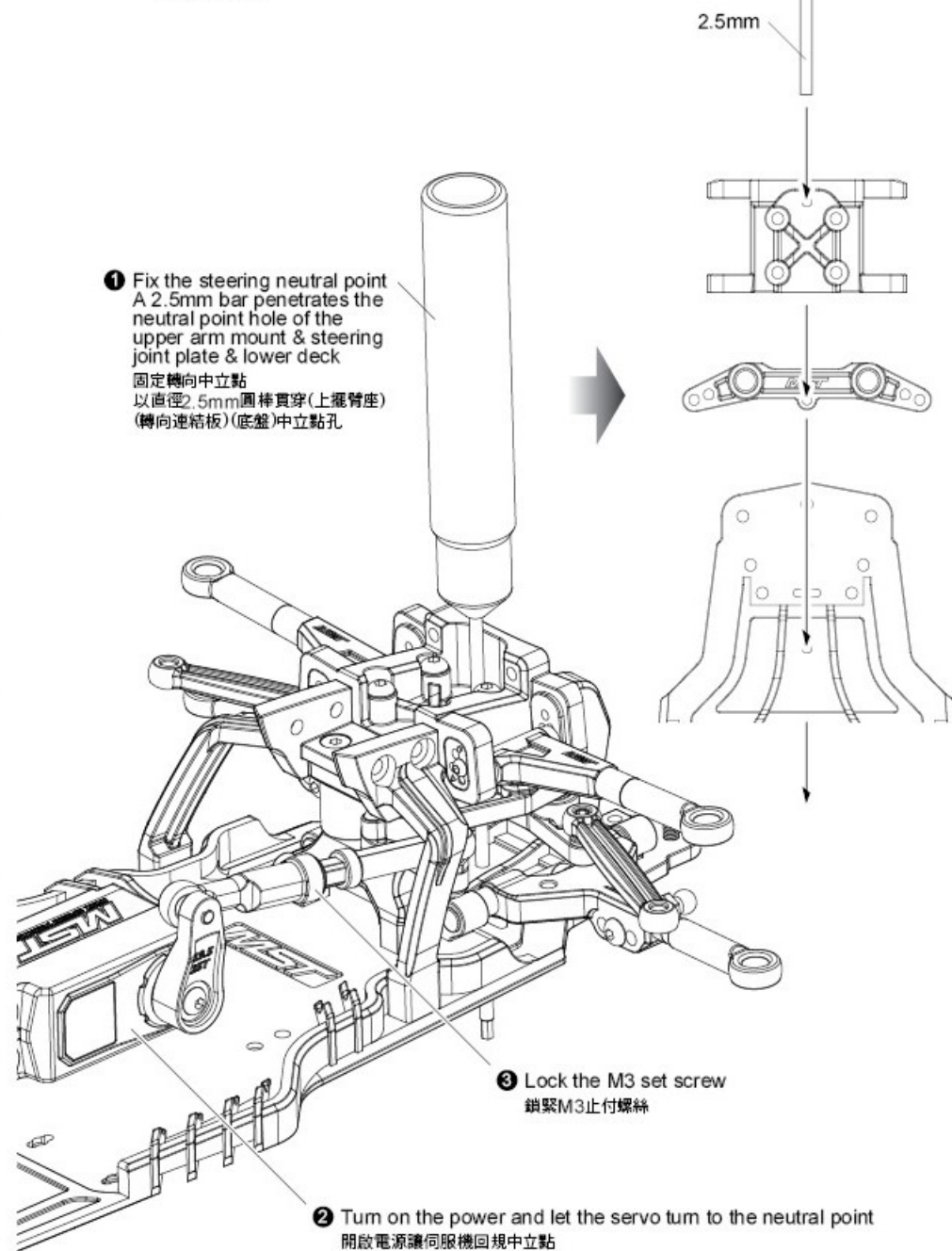
※Please keep the rest parts for the next steps.
請保留餘料至後續步驟使用



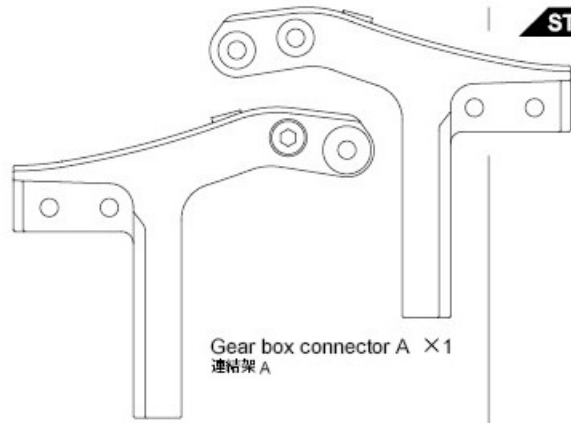
STEP 1 Attaching front steering-suspension
安裝前擋組



STEP 2 Steering neutral point adjustment
轉向中立點調整



STEP 1 Attaching upper deck
安裝二樓板



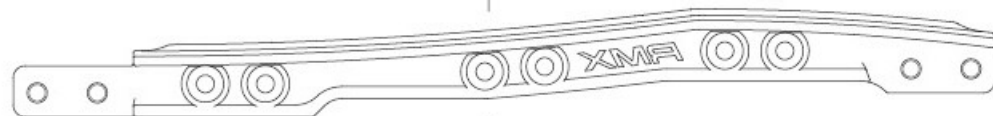
Gear box connector B × 1
連結架 B

Strengthen post × 2
補強柱

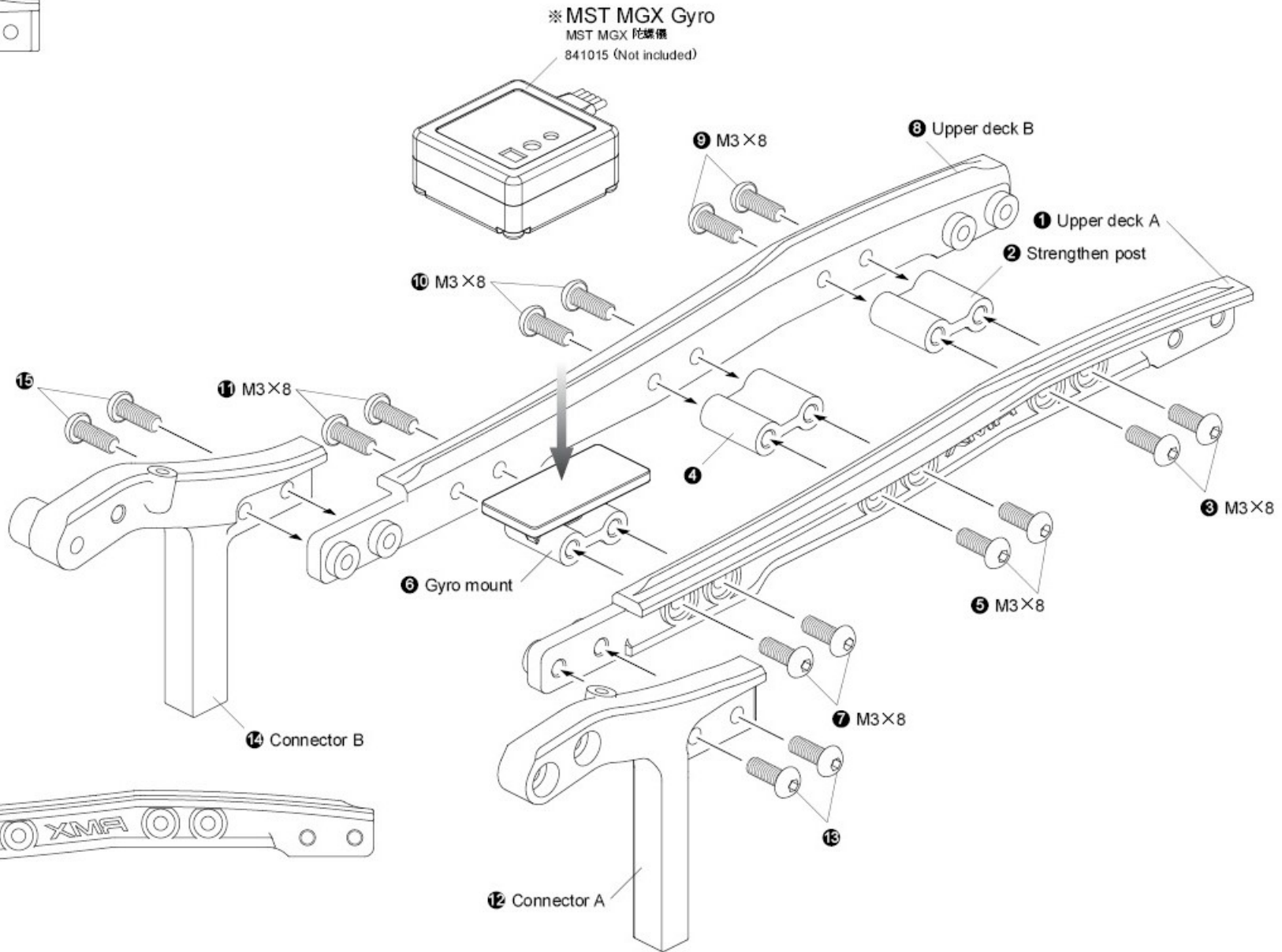
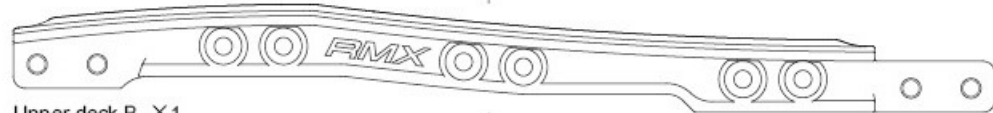
Gyro mount × 1
陀螺儀座

M2.5×6 screw × 2
沉頭螺絲

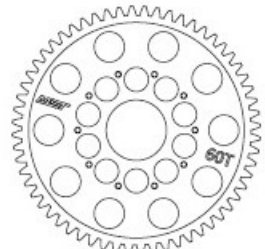
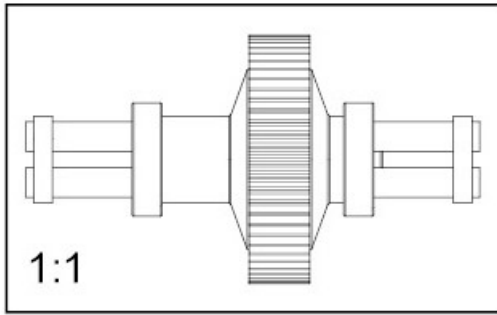
M3×8 screw × 16
圓頭螺絲



Upper deck B × 1
二樓板 B



STEP 1 Rear spool. set assembly
後直軸組裝



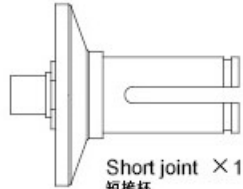
Differential gear 60T ×1
差速齒 60T



Long joint ×1
長接杆



M3×16 screw ×1
圓頭螺絲



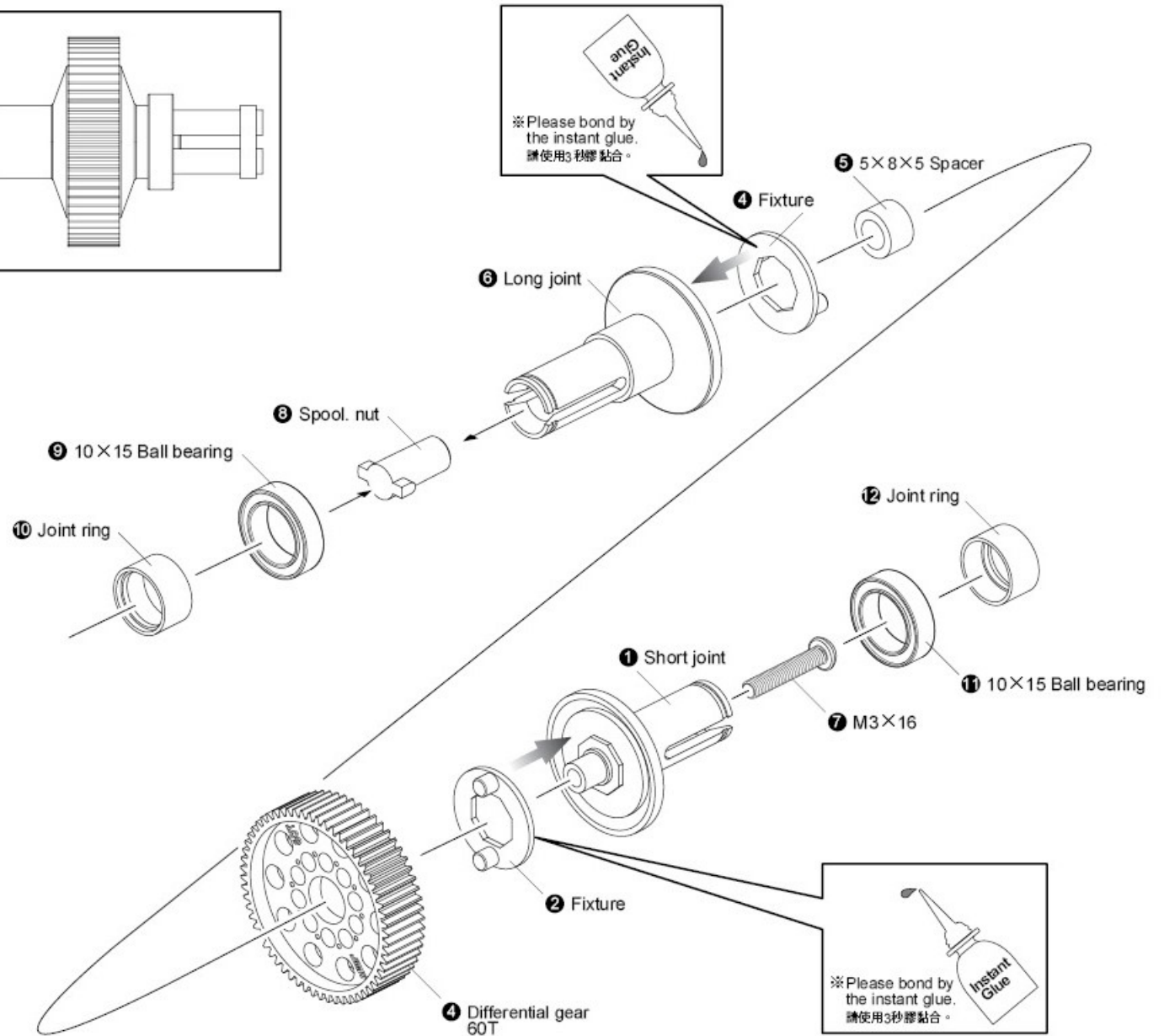
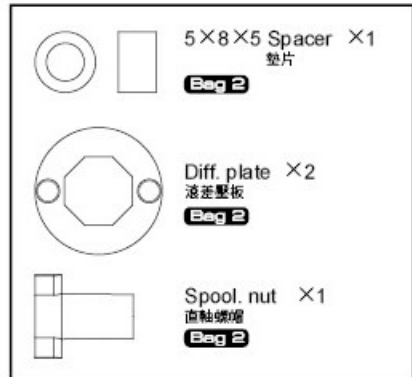
Short joint ×1
短接杆

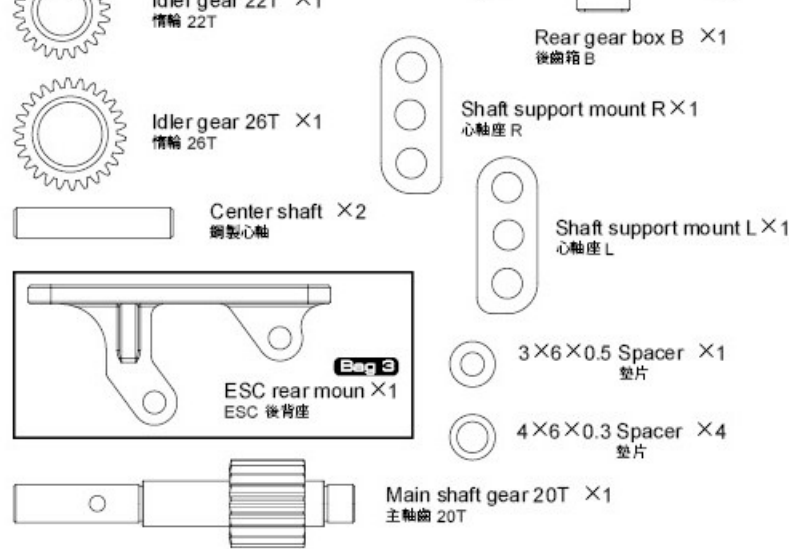
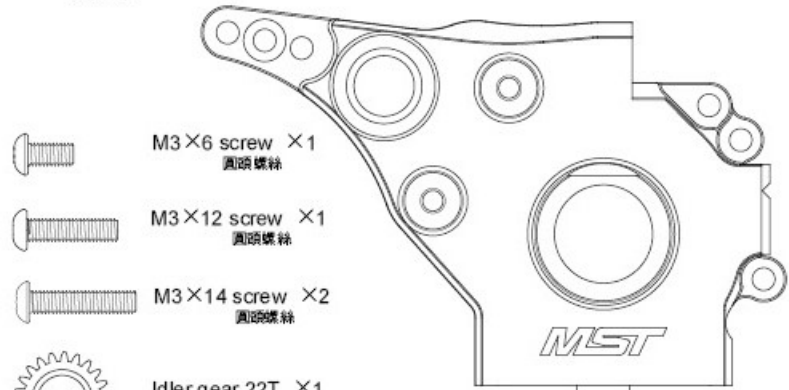
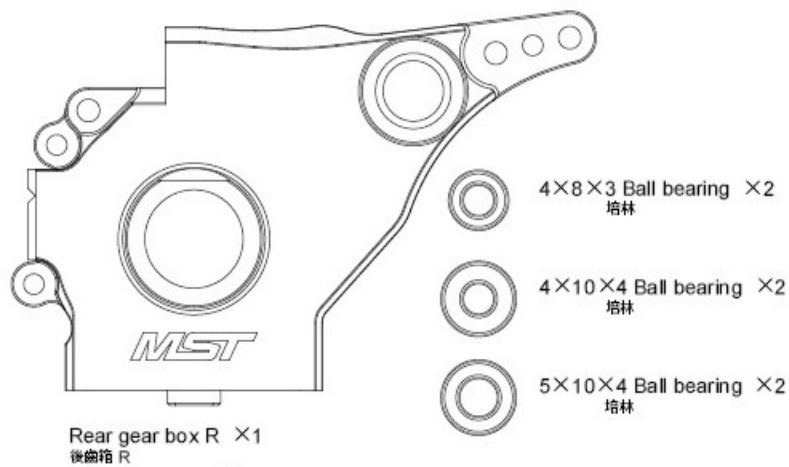


10×15 Ball bearing ×2
培林

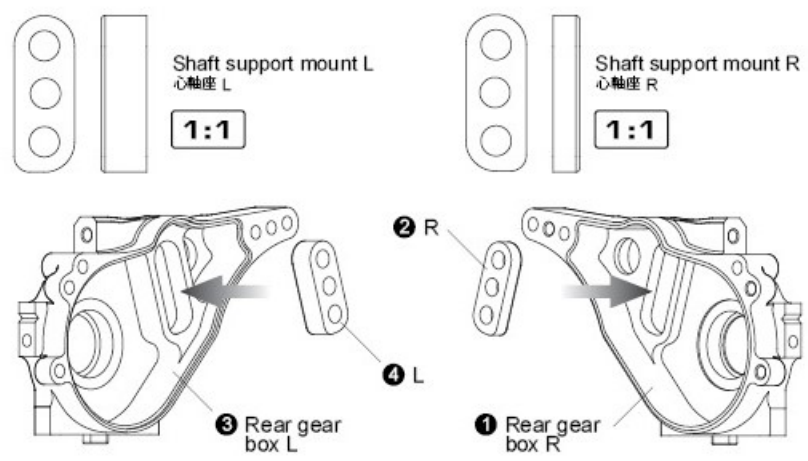


Joint ring ×2
接杆環

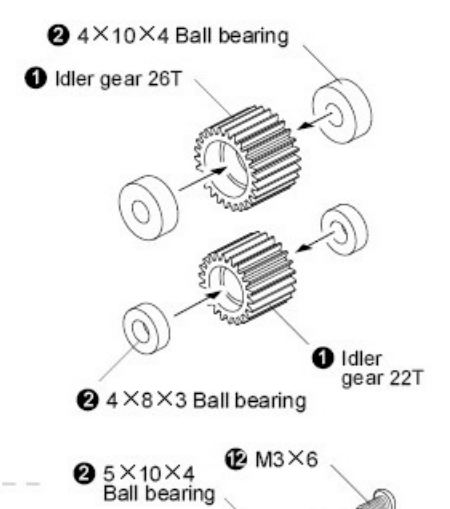




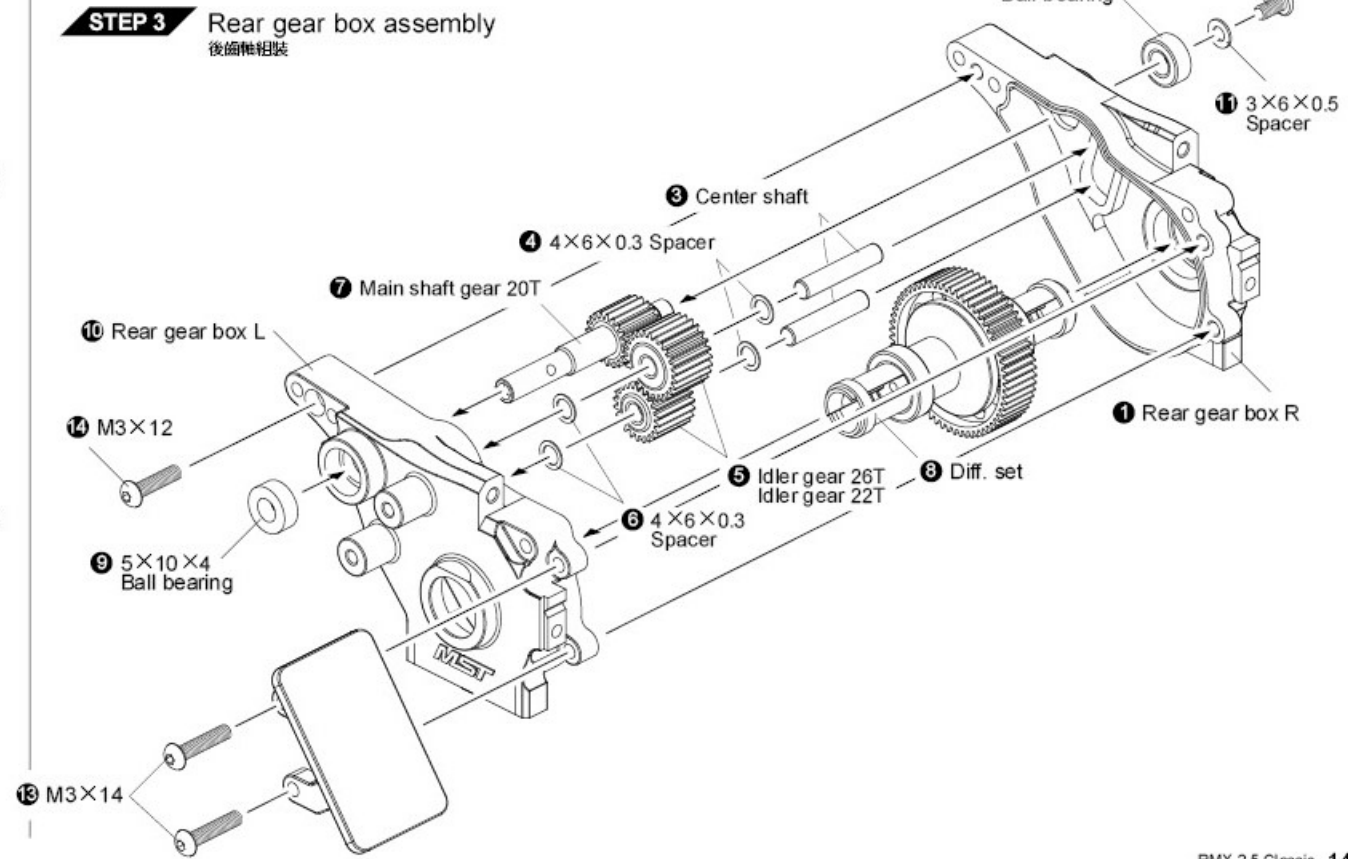
STEP 1 Shaft support mount assembly
心軸座組裝

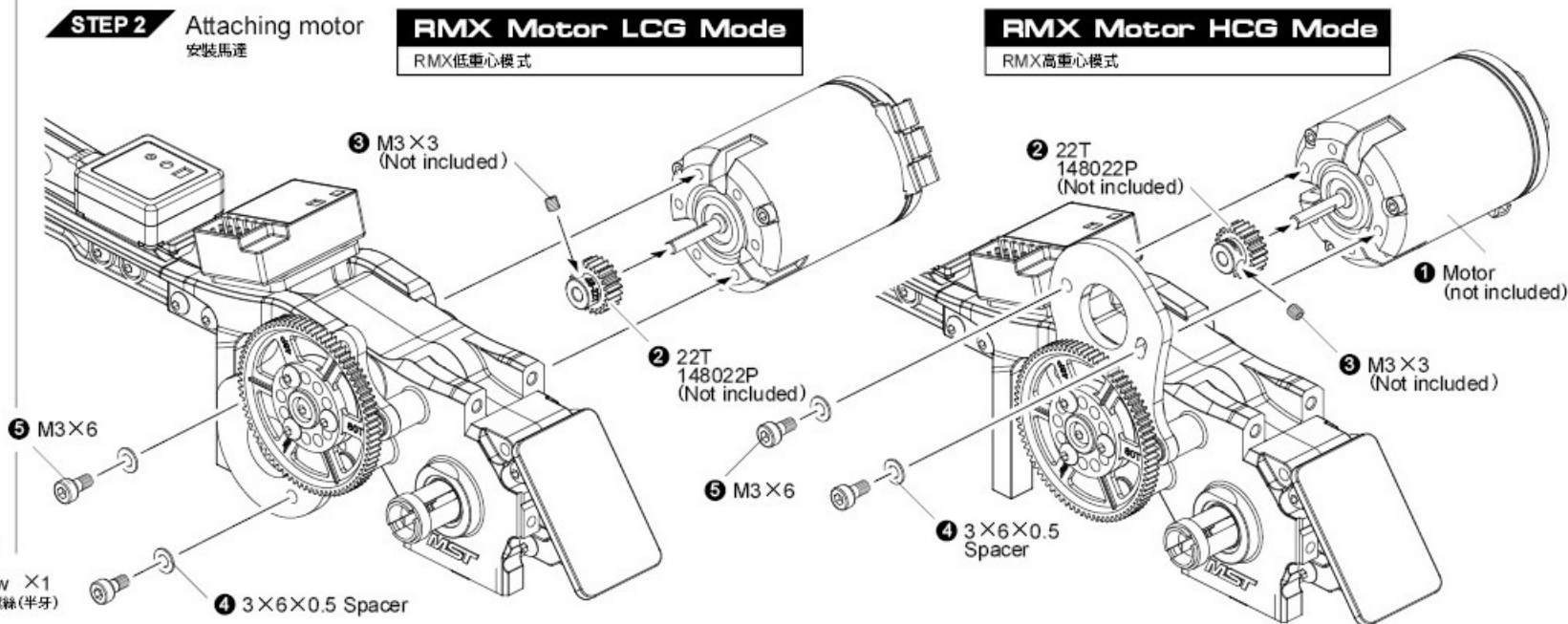
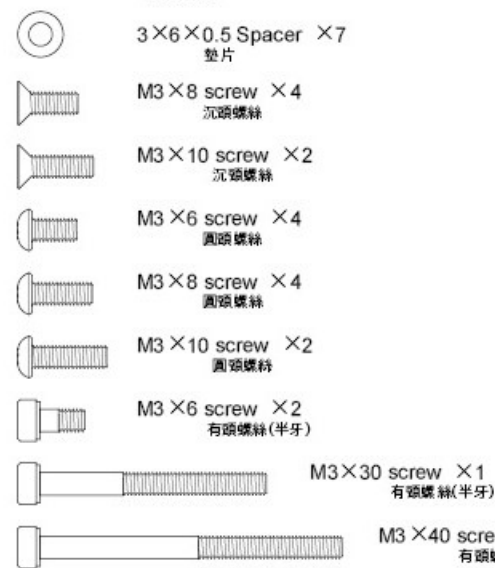
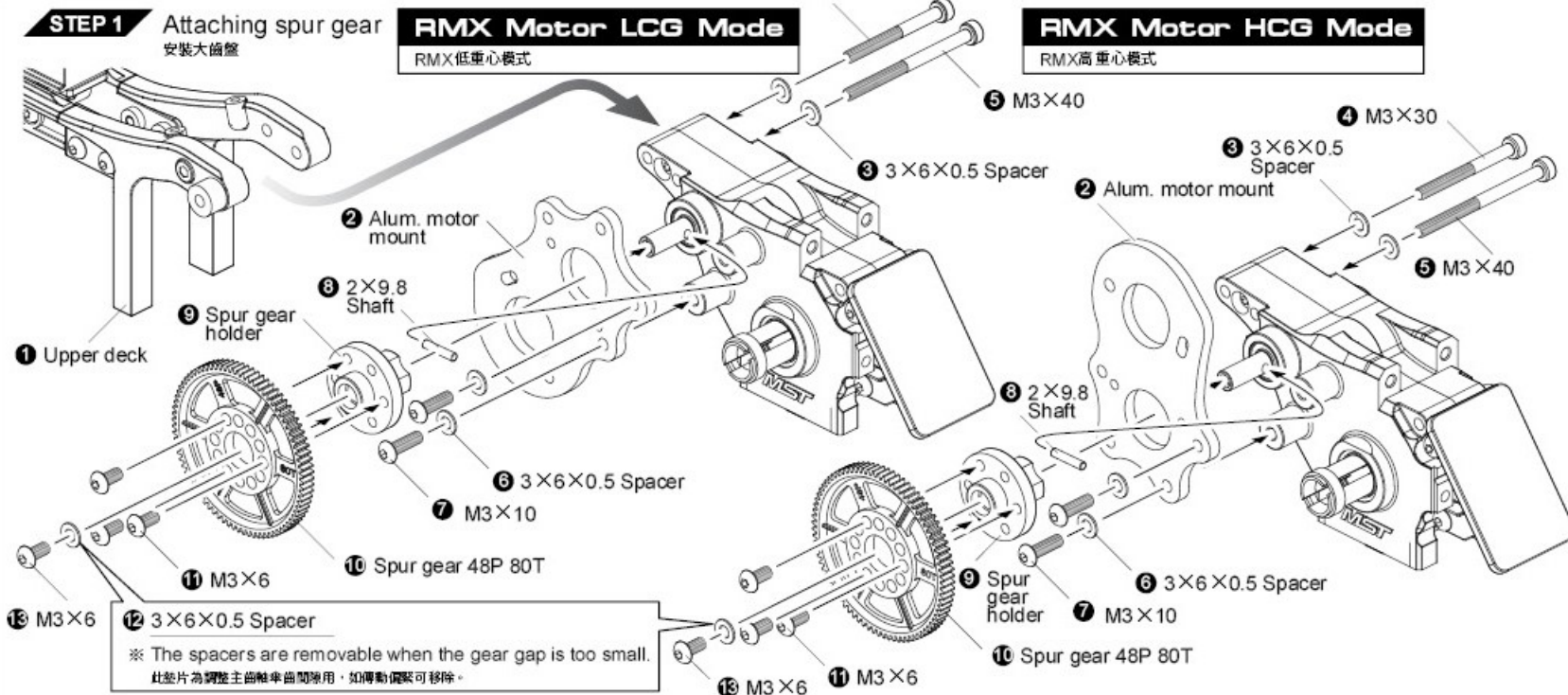
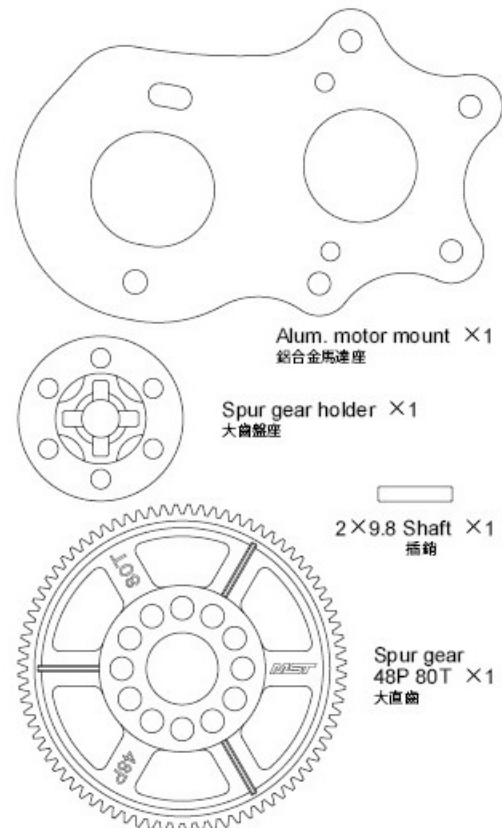


STEP 2 Idler gear assembly
惰輪組裝

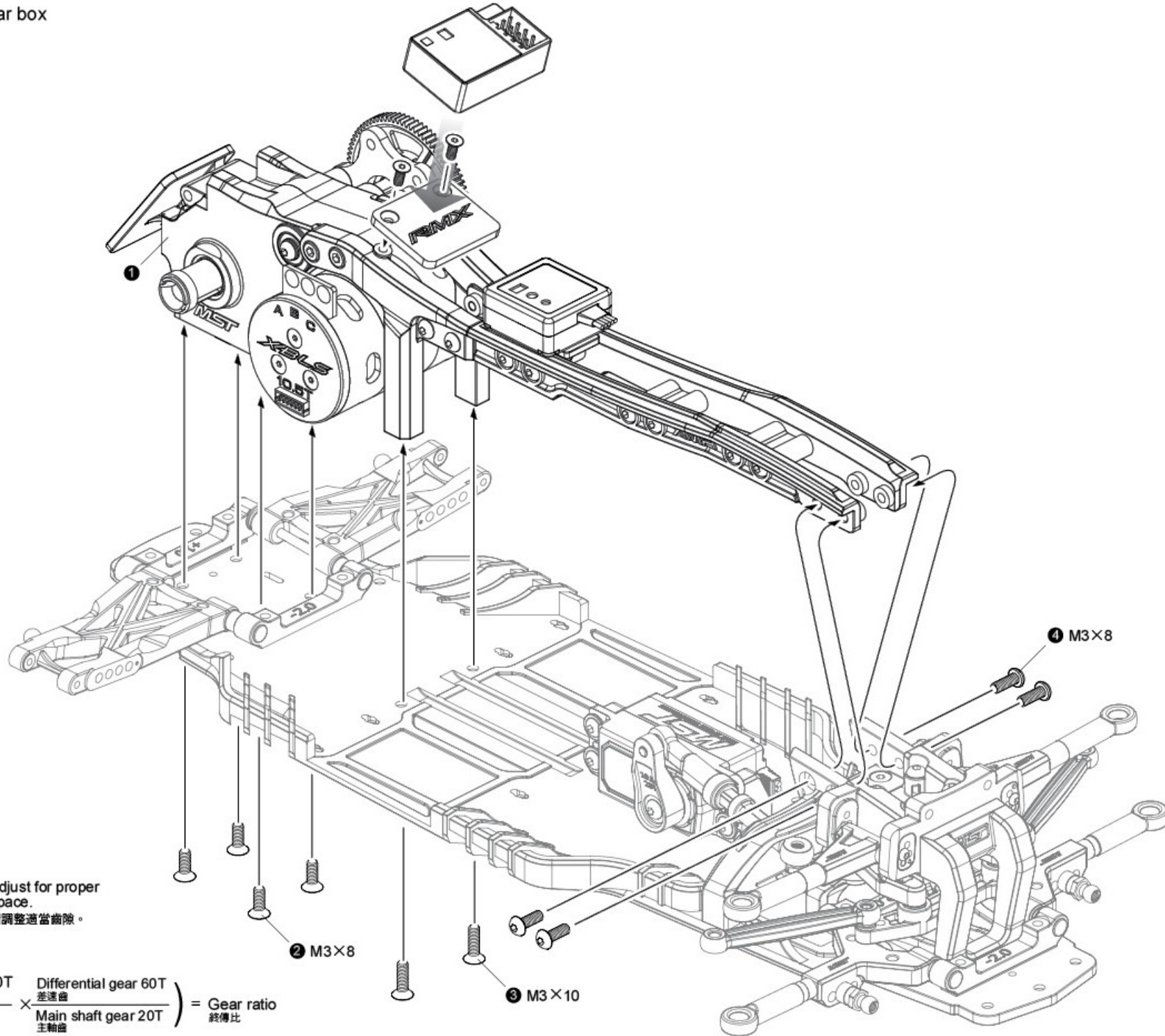


STEP 3 Rear gear box assembly
後齒箱組裝





STEP 3 Attaching rear gear box
安裝後齒箱



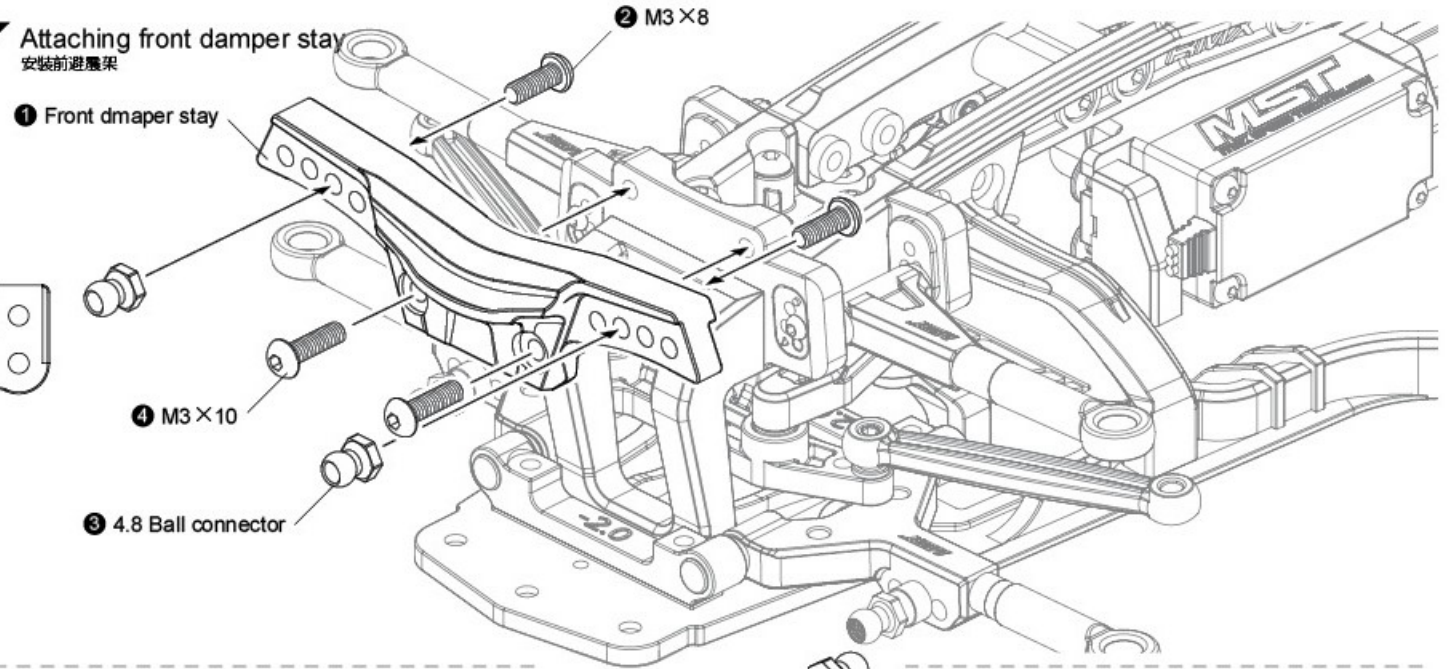
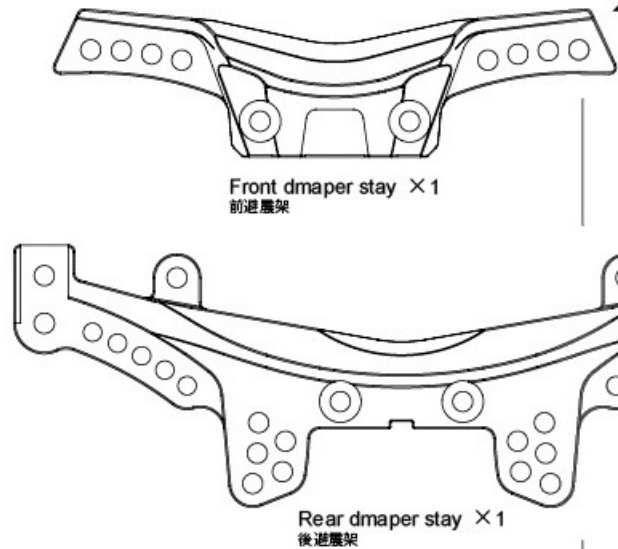
GEAR RATIO (For 80T Spur Gear)	
Pinion gear teeth	60T/20T <3.00>
22T	10.91
23T	10.43
24T	10
25T	9.6
26T	9.23
27T	8.89

※ Adjust for proper space.
請調整適當齒隙。

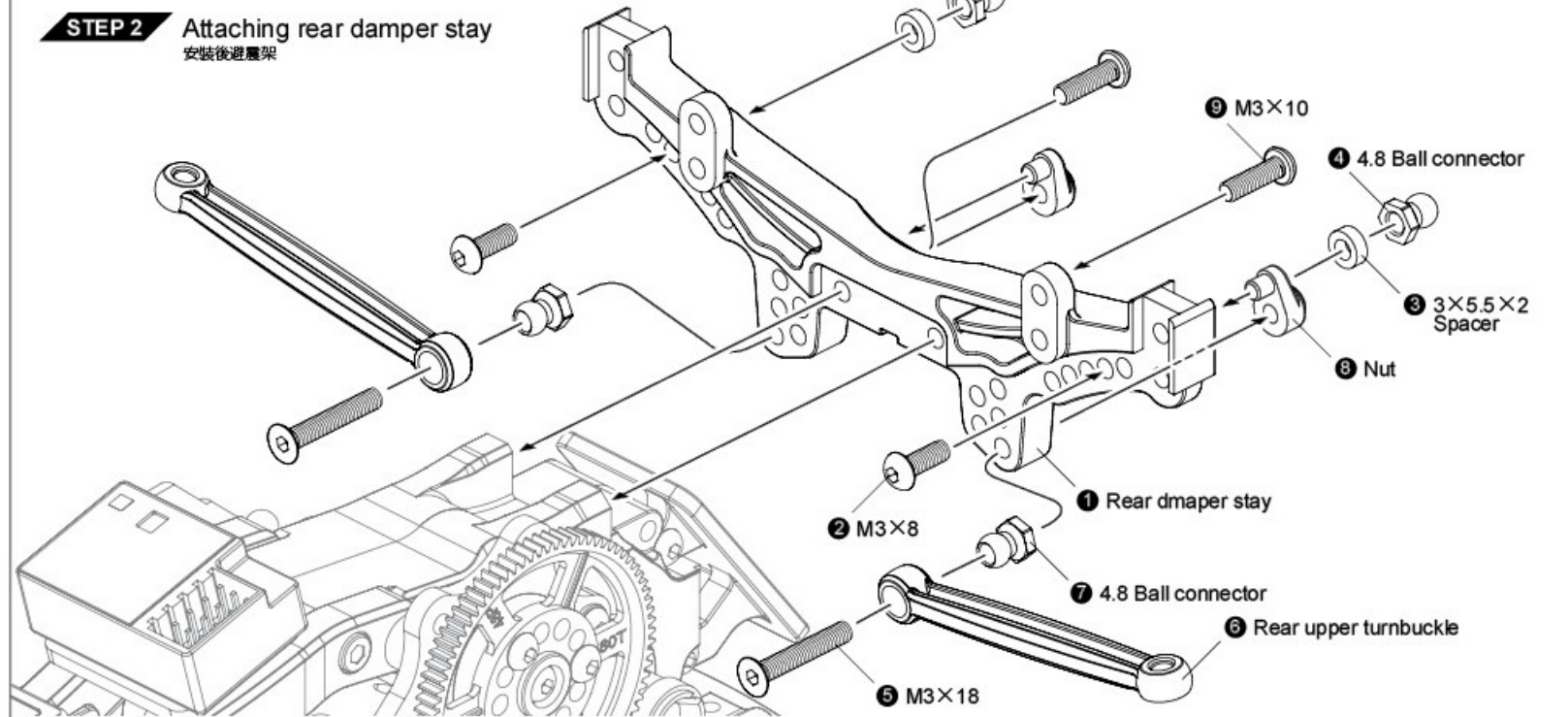
* FORMULA 計算公式

$$\left(\frac{\text{Spur gear teeth 80T}}{\text{Pinion gear teeth}} \times \frac{\text{Differential gear 60T}}{\text{Main shaft gear 20T}} \right) = \text{Gear ratio 終傳比}$$

STEP 1 Attaching front damper stay
安裝前避震架



STEP 2 Attaching rear damper stay
安裝後避震架

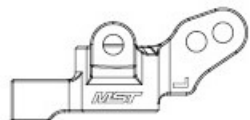


- M3×8 screw × 4
圓頭螺絲
- M3×10 screw × 4
圓頭螺絲
- M3×18 screw × 2
沉頭螺絲
- 4.8 Ball connector × 6
外六角球頭
- 3×5.5×2 Spacer × 2
墊片

- Nut × 2
螺絲固定座
Bag 2
- Rear upper turnbuckle × 2
後上拉桿
Bag 2



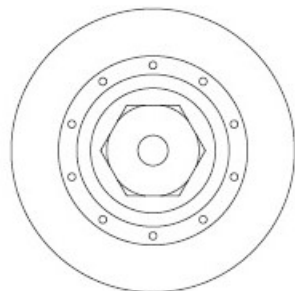
Front upright R × 1
前輪座 R



Front upright L × 1
前輪座 L



Brake calipers × 2
制車卡鉗



Wheel hubs (large)
(brake disc shaped) × 2
六角輪座(大)(制車碟型)



2WD Axle × 2
二驅輪軸



5.8×4 Ball connector L × 4
球頭螺絲(長)



4.8×4.5 Ball connector × 2
球頭螺絲



M2×4 screw × 2
圓頭螺絲



2×9.8 Shaft × 2
插銷

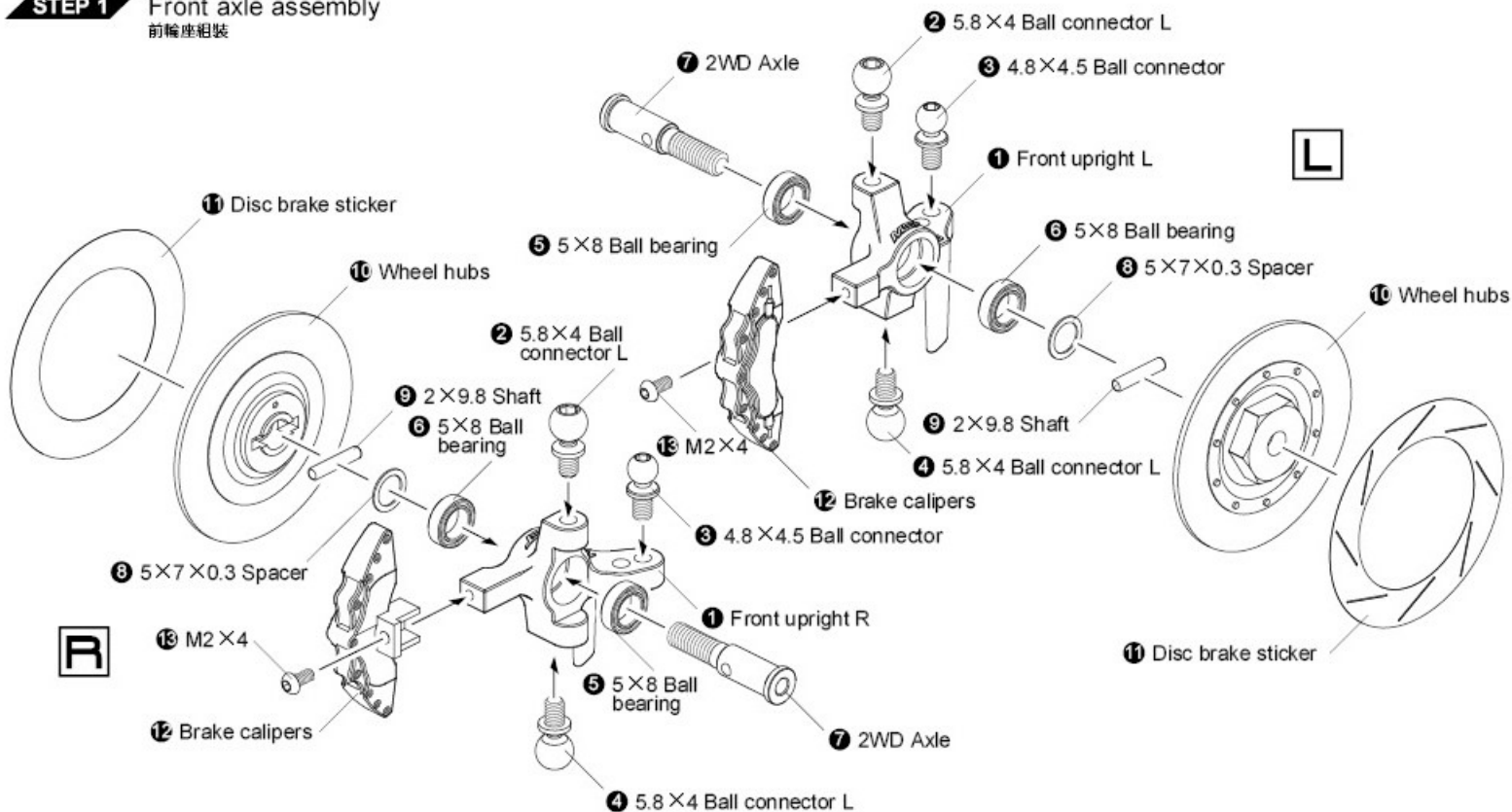


5×8 Ball bearing × 4
培林

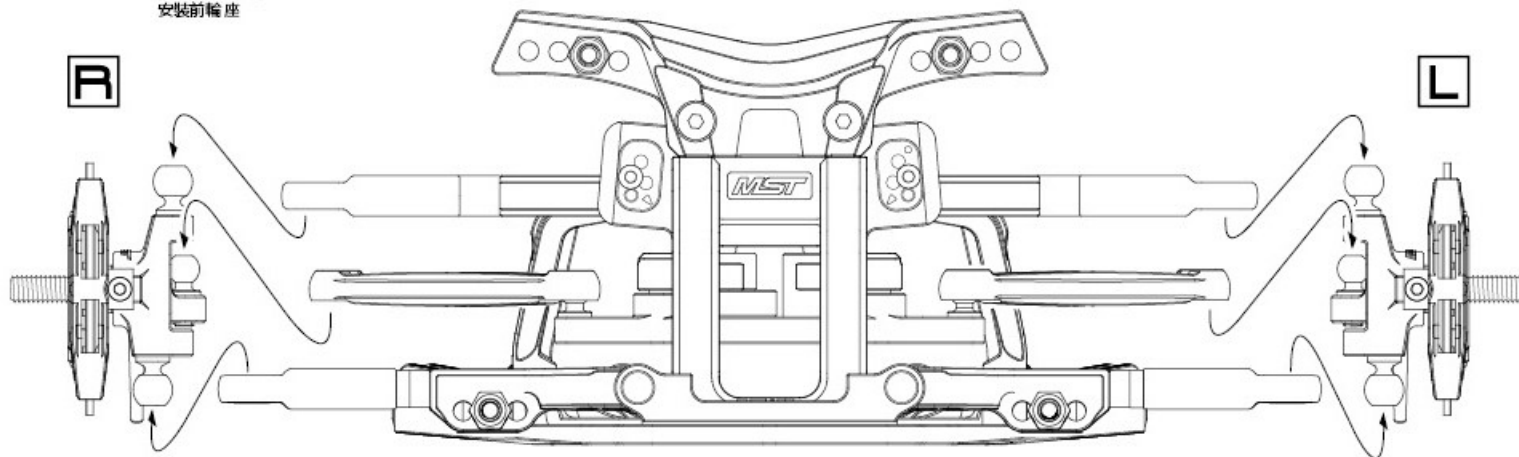


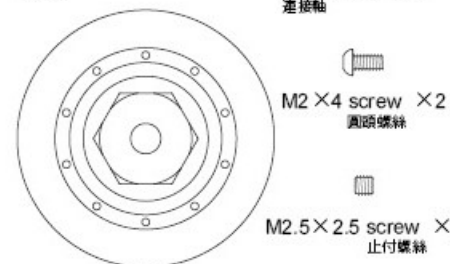
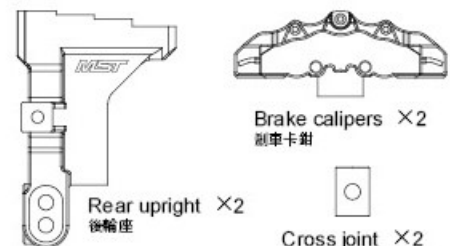
5×7×0.3 Spacer × 2
墊片

STEP 1 Front axle assembly
前輪座組裝



STEP 2 Attaching front axle
安裝前輪座





Wheel hubs (small) (brake disc shaped) × 2
六角輪座(小)(剎車碟型)

5 × 11 Ball bearing × 2
培林

10 × 15 Ball bearing × 2
培林

5 × 7 × 0.1 Spacer × 2
墊片

2 × 22 Shaft × 2
插銷

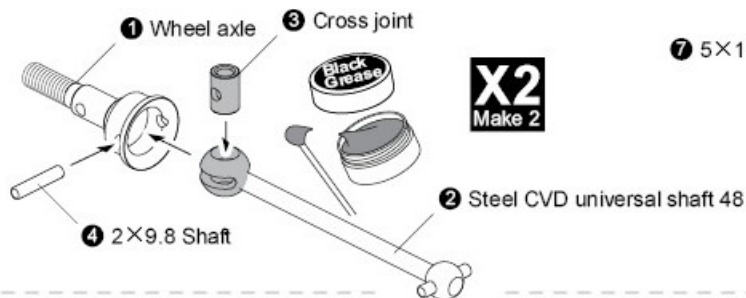
2 × 9.8 Shaft × 4
插銷

4.8 × 4.5 Ball connector × 2
球頭螺絲

Wheel axle × 2
萬向接杆

Steel CVD universal shaft 48 × 2
鋼製CVD傳動軸 48

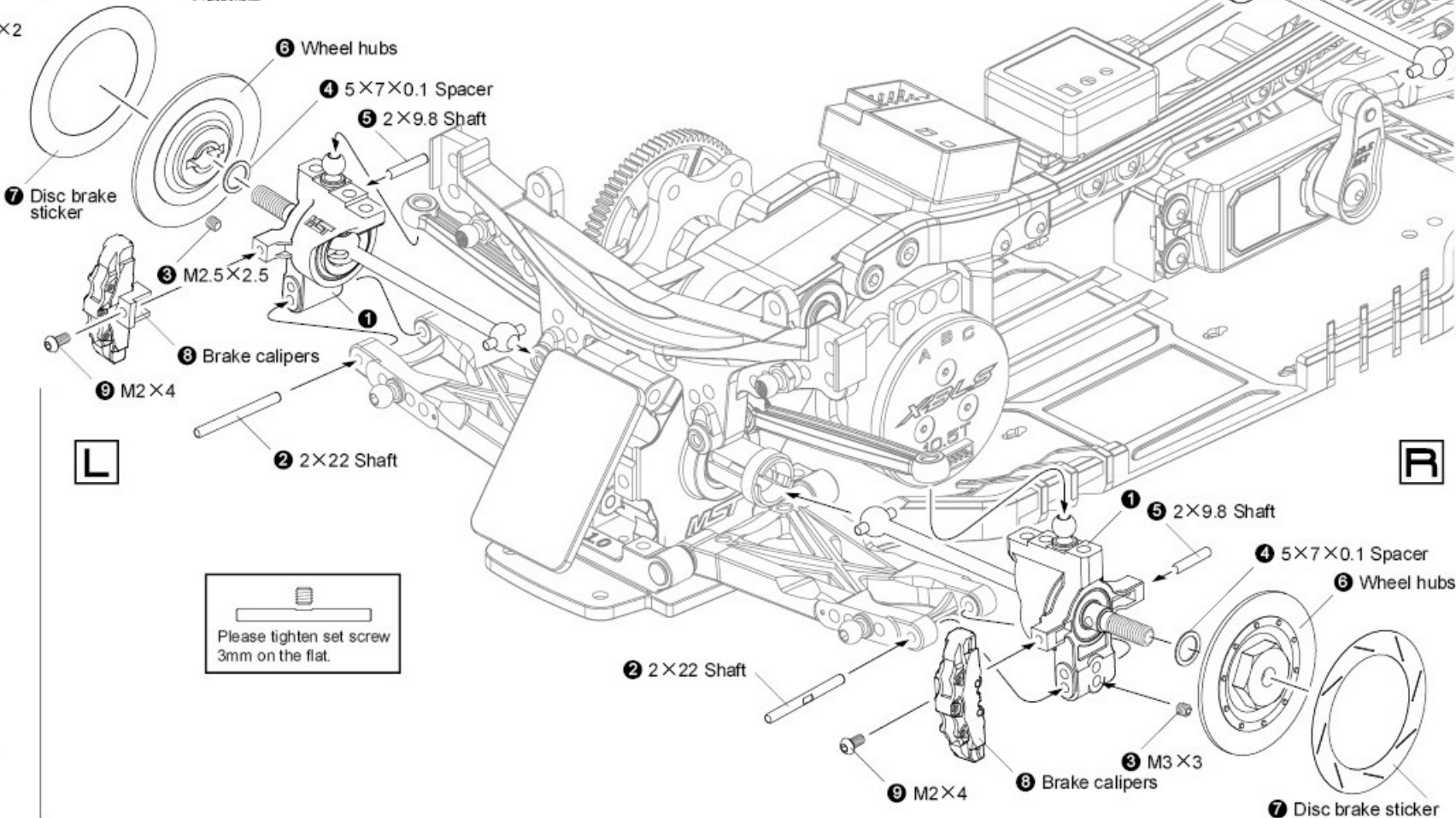
STEP 1 Rear axle assembly
後輪座組裝



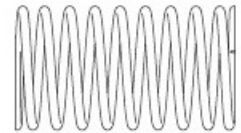
X2
Make 2

X2
Make 2

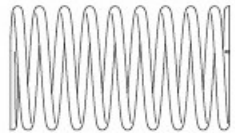
STEP 2 Attaching rear axle
安裝後輪座



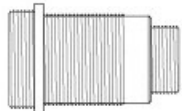
Please tighten set screw
3mm on the flat.



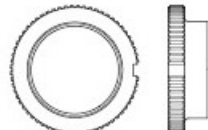
Hard coil spring 31mm ×2 (gold)
硬避震彈簧 31mm (金)



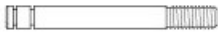
Soft coil spring 31mm ×2 (purple-green)
軟避震彈簧 31mm (紫綠)



Damper cylinder ×4
避震筒身



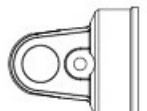
Spring retainer (red) ×4
避震器調整環 (紅)



Piston rod ×4
避震軸心



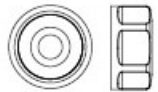
Piston ×4
避震活塞



Cylinder cap ×4
避震筒上蓋



Damper adjuster ×4
避震器拉桿



Rod guide cap ×4
避震器下蓋



10.8×0.9 O-ring ×4
O環



Damper retainer ×4
避震器彈簧座



12×1 O-ring ×4
O環



Oil seal ×4
避震器氣室



Damper O-ring P3 ×4
避震器O環

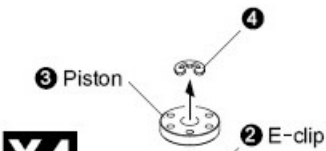
E-clip ×8
E形扣



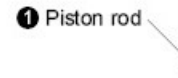
Rod guide ×4
避震器下蓋墊片

M3×4 screw ×4
沉頭螺絲

STEP 1 Damper assembly
避震器組裝



X4
Make 4



1 Piston rod

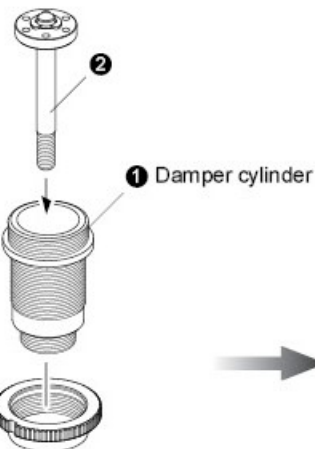


3 Damper O-ring

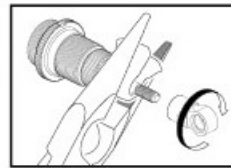


4 Rod guide

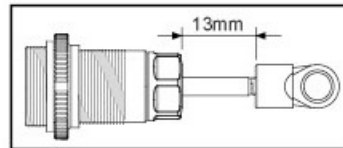
5 Rod guide cap



1 Damper cylinder



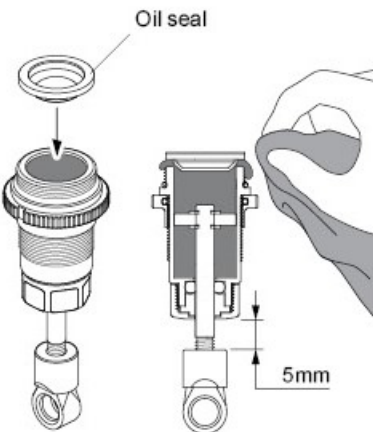
Damper adjuster



10.8×0.9 O-ring



Pull down piston and pour oil into cylinder. Remove air bubbles by slowly moving piston up and down.
拉下活塞並填入避震油，緩慢上下移動活塞將氣泡移除。

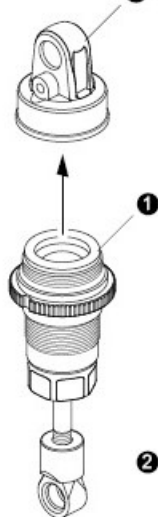


Oil seal

2 Cylinder cap

Pull down piston rod 5mm, attach cylinder cap and absorb oil overflow with tissue paper.
將軸心下拉5mm後，蓋上避震器上蓋並以面紙拭去溢出的油。

5mm



2 Damper retainer



1 Shock spring

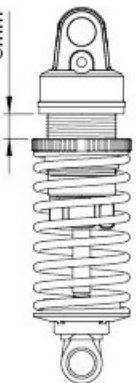
Front - Gold 前面裝配金色
Rear - Purple-green 後面裝配紫綠色

FRONT



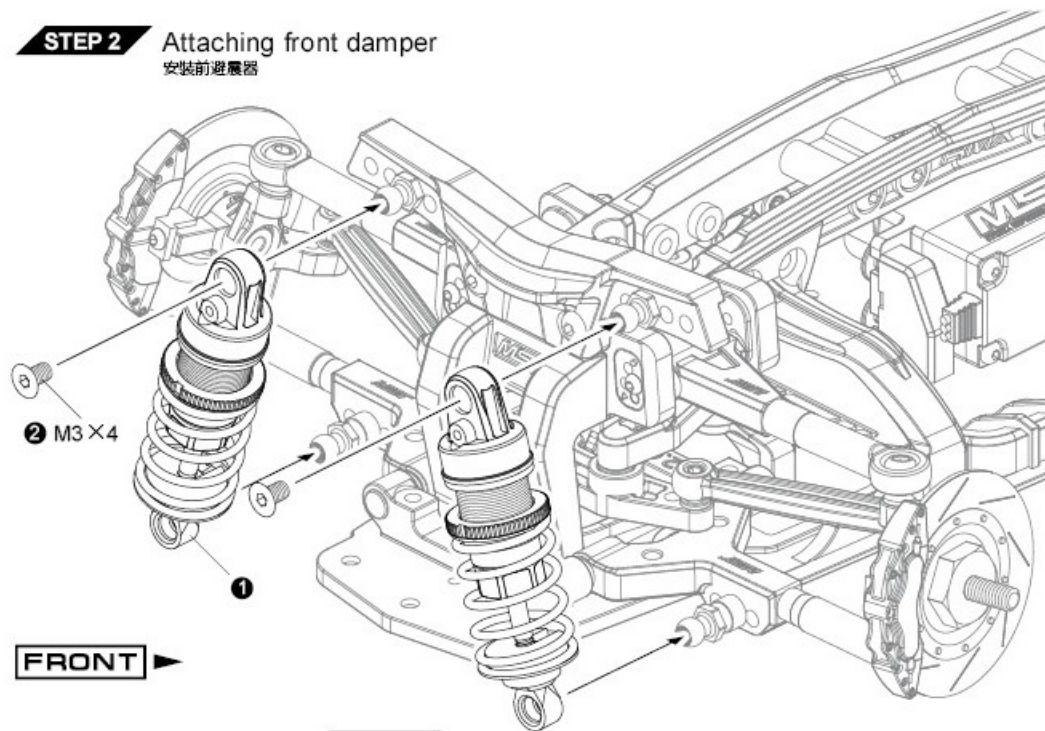
6.5mm

REAR

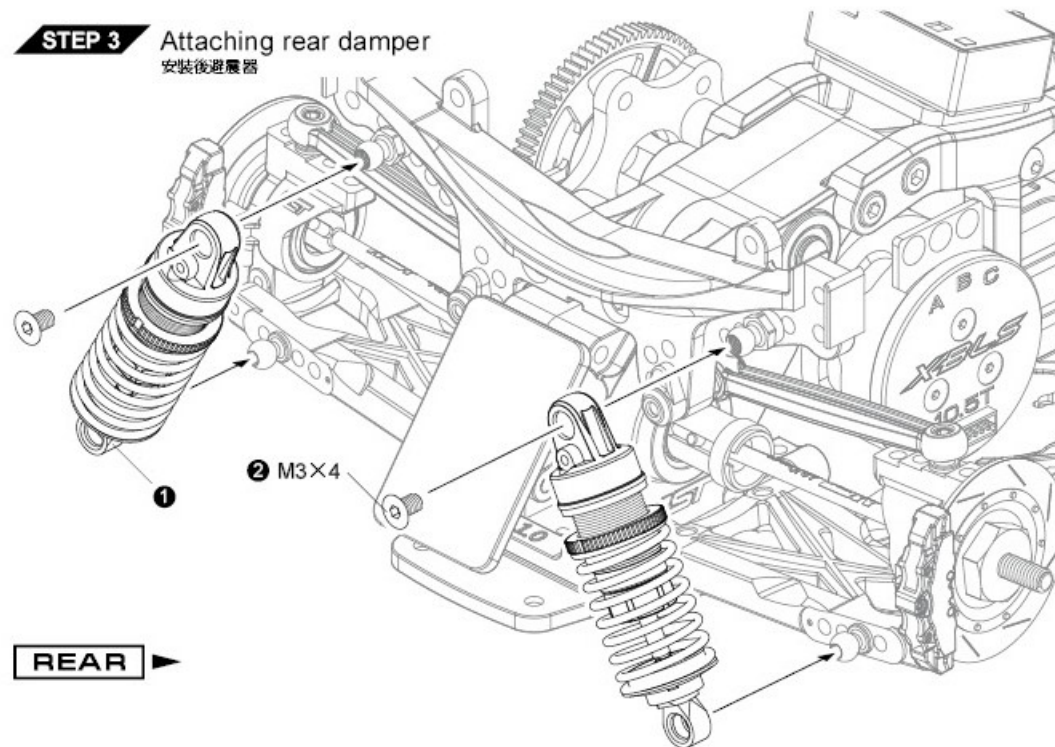


5mm

STEP 2 Attaching front damper
安裝前避震器



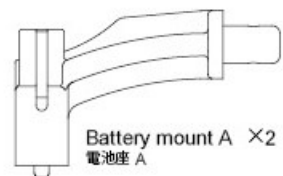
STEP 3 Attaching rear damper
安裝後避震器



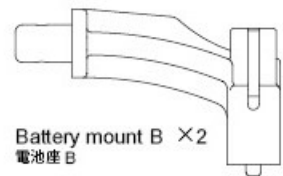
PARTS BAG

9

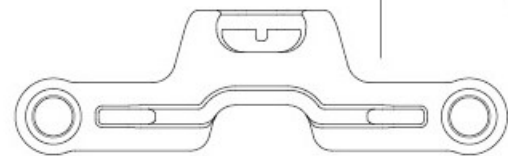
BATTERY MOUNT
電池座



Battery mount A ×2
電池座 A



Battery mount B ×2
電池座 B

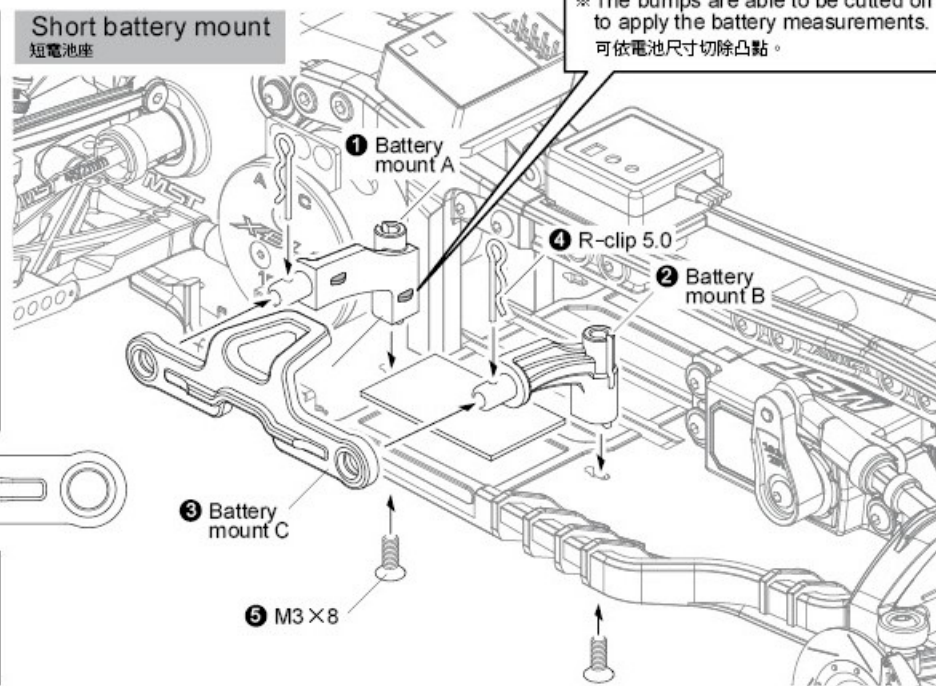


Battery mount C ×2
電池座 C



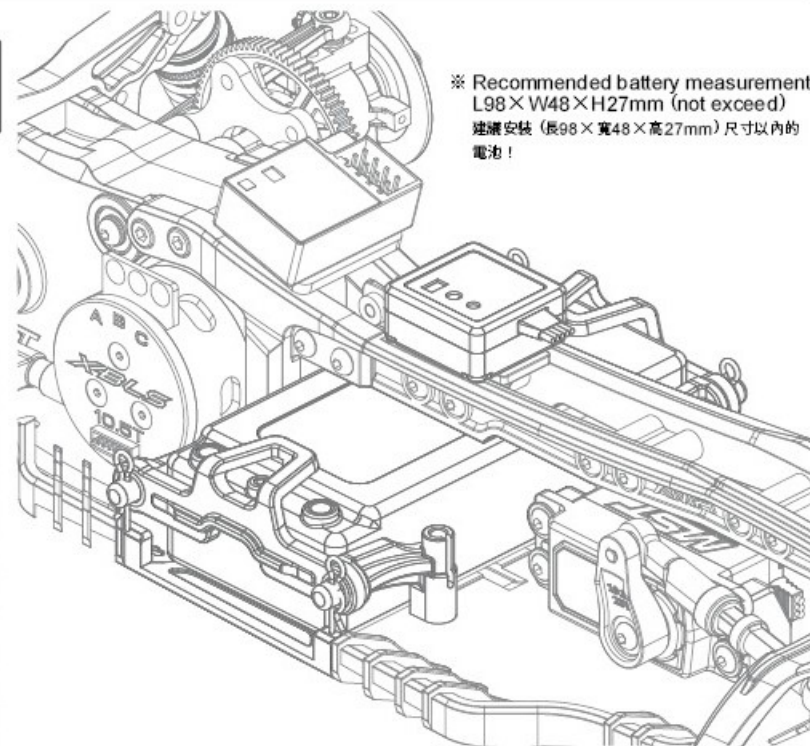
M3×8 screw ×4
沉頭螺絲
R-clip 5.0 ×4
R銷 5.0

Short battery mount
短電池座

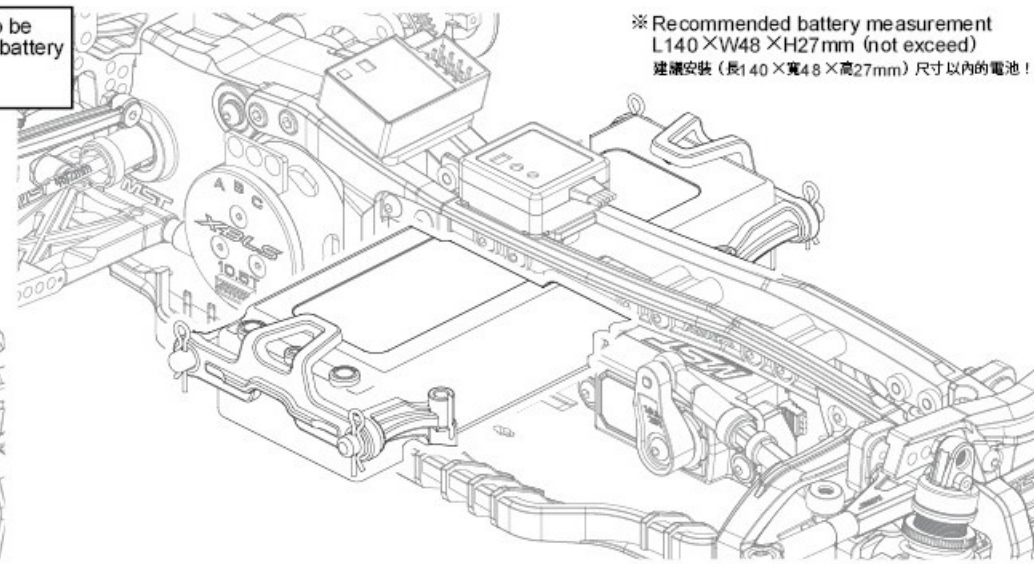
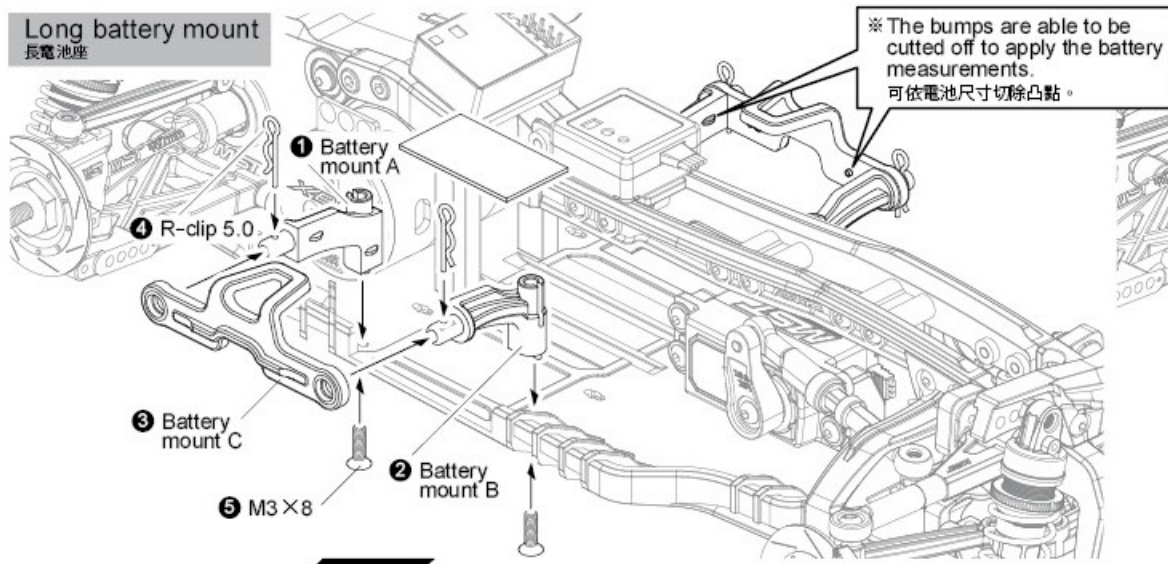


※ The bumps are able to be cutted off to apply the battery measurements.
可依電池尺寸切除凸點。

※ Recommended battery measurement
L98×W48×H27mm (not exceed)
建議安裝 (長98×寬48×高27mm) 尺寸以內的電池!



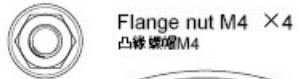
Long battery mount
長電池座



PARTS BAG

9

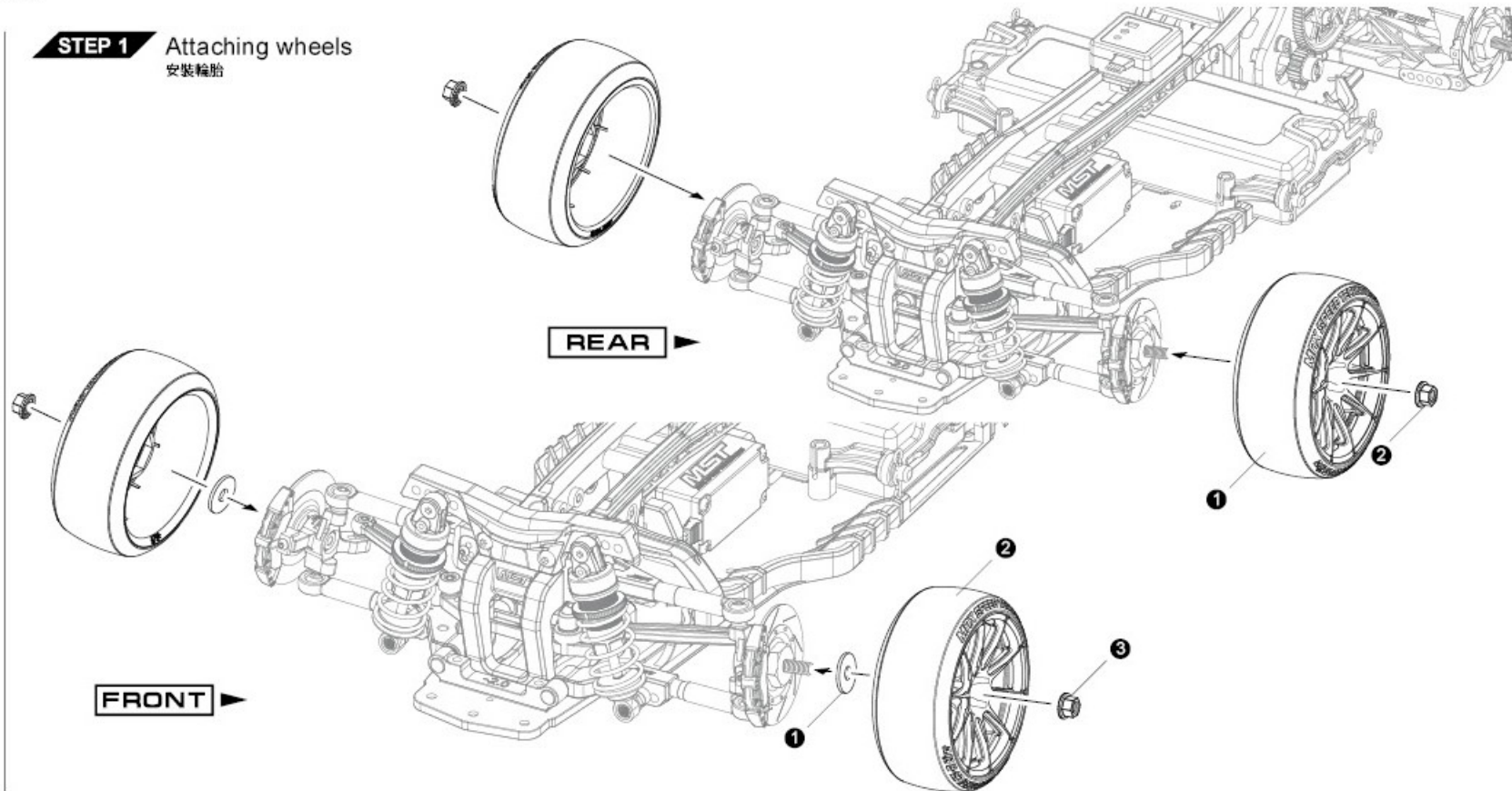
WHEELS
輪胎

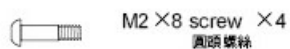
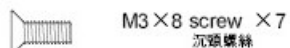
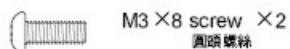
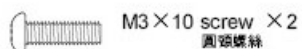
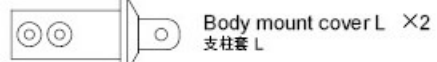
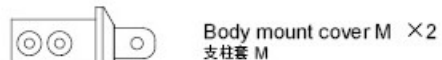
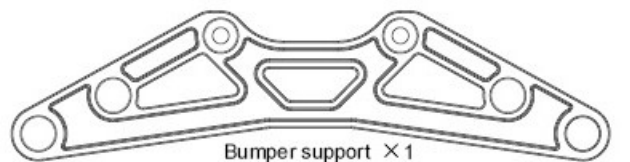


Wheel x4
輪胎

※ NOT including.
Please refer to MST website for the
wheel & tire types.
胎框組須另購，詳情請見官網。
[www.rc-mst.com]

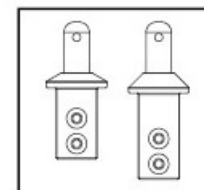
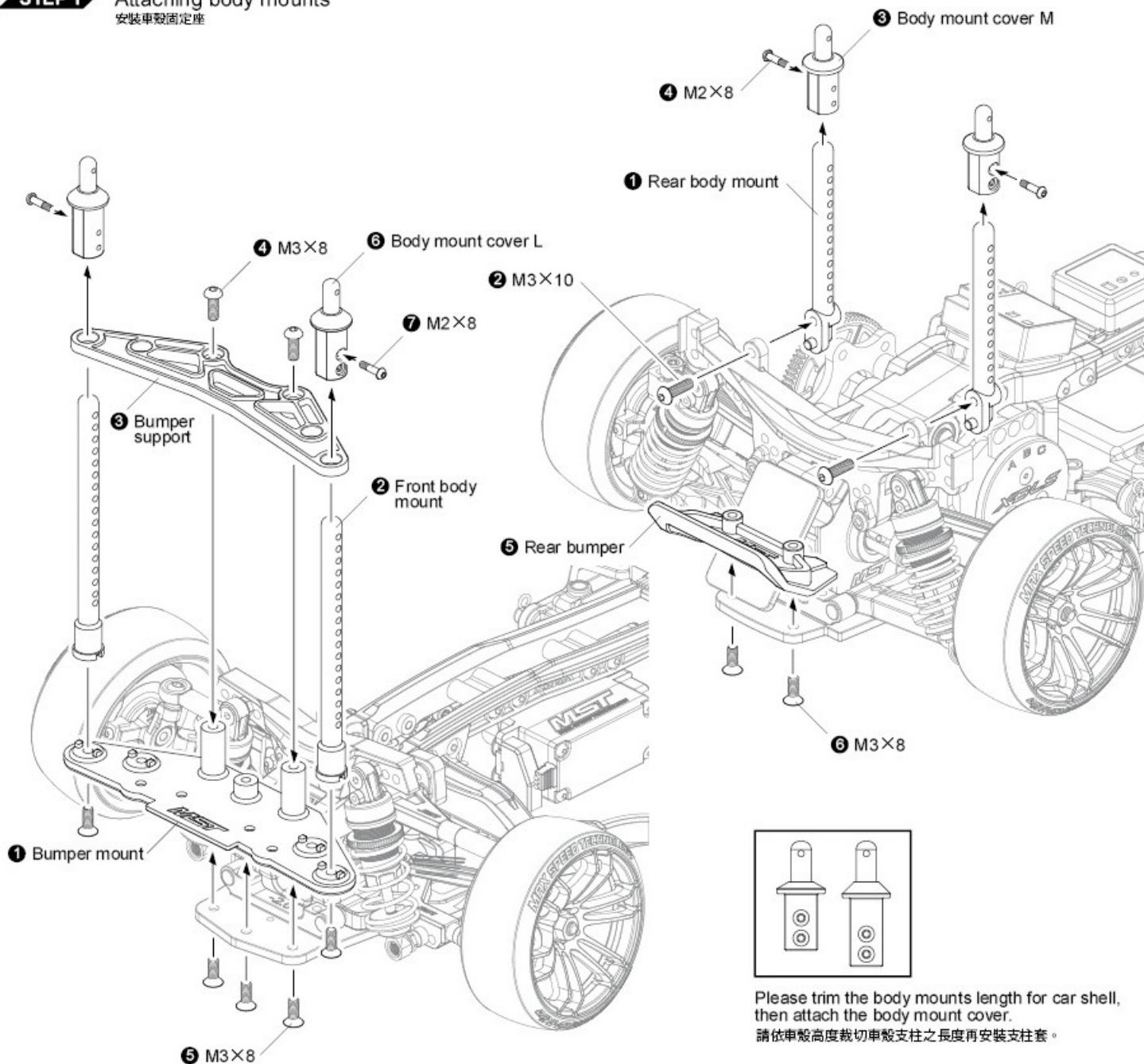
STEP 1 Attaching wheels
安裝輪胎









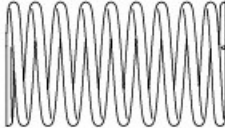
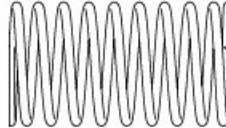




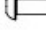





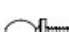


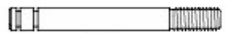









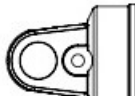







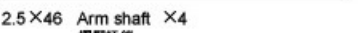










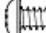


















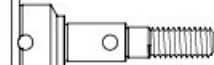





STEP 1 Attaching body mounts

安裝車殼固定座

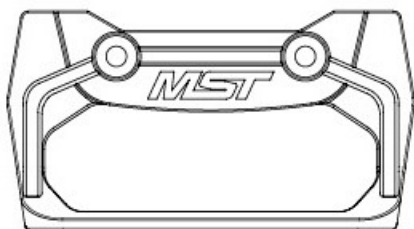
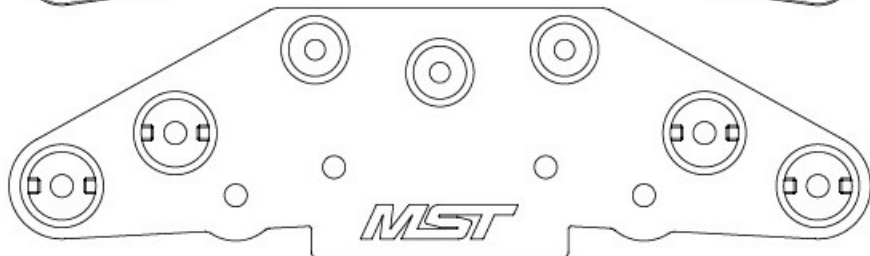
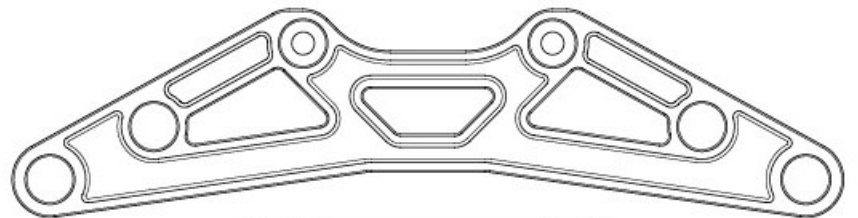


Please trim the body mounts length for car shell, then attach the body mount cover.
請依車殼高度裁切車殼支柱之長度再安裝支柱套。

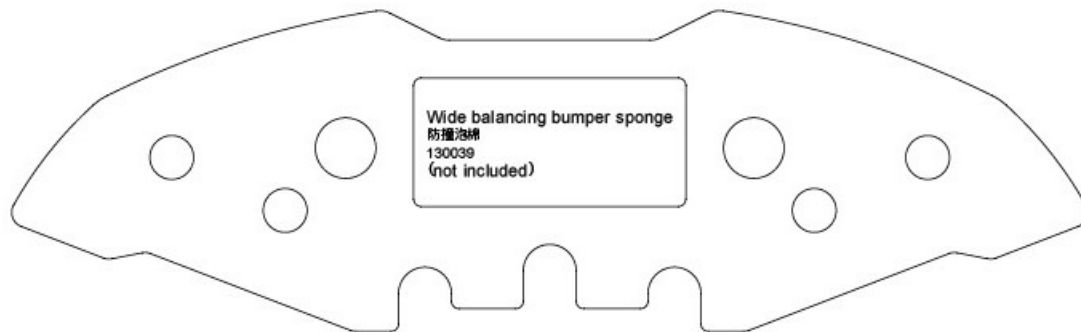
PARTS

	M2×4 Screw ×8 圓頭螺絲 110004		3×6×0.5 Spacer ×8 墊片 110047		4.8 Ball connector ×7 外六角球頭 210161		M3×3 Screw ×3 止付螺絲 110035		Hard coil spring 31mm ×2 (gold) 硬避震彈簧 31mm (金) 820103		Soft coil spring 31mm ×2 (purple-green) 軟避震彈簧 31mm (紫綠) 820104		
	M2×8 Screw ×2 圓頭螺絲 110063		3×8×0.5 Spacer ×1 墊片 110048		4.8 Ball connector L ×2 外六角球頭 (長) 210344		M3×4 Screw ×1 止付螺絲 110083						
	M2×8 Screw ×4 圓頭螺絲 (半牙) 110045		4×6×0.3 Spacer ×4 墊片 820017		4.8×4.5 Ball connector ×8 球頭螺絲 310001		M3×30 Set Screw ×6 六角止付螺絲 110103						
	M3×6 Screw ×5 圓頭螺絲 110001		5×7×0.1 Spacer ×2 墊片 820018		4.8×4.5 S Ball connector ×1 球頭螺絲 210433		2×9.8 Shaft ×7 插銷 110017				Damper cylinder ×4 避震筒身 210071		Piston rod ×4 避震軸心 310008
	M3×8 Screw ×26 圓頭螺絲 110002		5×7×0.3 Spacer ×2 墊片 820020		5.8×4 Ball connector L ×4 球頭螺絲 (長) 210491		2×22 Shaft ×2 插銷 310047						Piston ×4 避震活塞 210235
	M3×10 Screw ×9 圓頭螺絲 110026		5×7×0.3 Spacer ×2 墊片 820020		M3×6 Screw ×2 有頭螺絲 (半牙) 110011		2×28 Shaft ×2 插銷 310103				Cylinder cap ×4 避震器上蓋 210057		Damper adjuster ×4 避震器拉桿 820079
	M3×12 Screw ×1 圓頭螺絲 110029		3×6×2.5 Bearing ×4 軸承 120024		M3×8 Screw ×4 帶墊片螺絲 110120								
	M3×14 Screw ×8 圓頭螺絲 110061		5×8 Bearing ×4 軸承 120017		Flange nut M4 ×4 凸緣螺帽 110015		2.5×46 Arm shaft ×4 擺臂插銷 310048						
	M3×16 Screw ×1 圓頭螺絲 110086		4×8×3 Ball bearing ×2 培林 120013				Suspension mount spacer 0.5mm ×2 擺臂座墊片 0.5mm 820063				Rod guide cap ×4 避震器下蓋 210057		10.8×0.9 O-ring ×4 O環 130032
	M3×20 Screw ×2 圓頭螺絲 110088		5×8 Ball bearing ×6 培林 120003		Cross joint ×2 連接軸 820030		R-clip 5.0 ×4 R射 5.0 820075BK						Wheel hub spacer 1.0 ×2 軸座墊片 1.0 820049
	2.6×10 Screw ×1 自攻圓頭螺絲 110025		4×10 Ball bearing ×2 培林 120018		M3×30 Screw ×1 有頭螺絲 (半牙) 110100		Wheel hub spacer 1.0 ×2 軸座墊片 1.0 820049				Damper retainer ×4 避震器彈簧座 820079		12×1 O-ring ×4 O環 130049
	M3×4 screw ×4 沉頭螺絲 110099		10×15 Ball bearing ×4 培林 120001		M3×40 Screw ×3 有頭螺絲 (半牙) 110091		4×21 Steel center shaft ×2 鋼製心軸 310119						Spring retainer (red) ×4 避震器調整環 (紅) 310106R
	M3×8 Screw ×27 沉頭螺絲 110005		5×10 Ball bearing ×2 培林 120002		2WD Axle ×2 二驅輪軸 820095		Alum. Main shaft 20T ×1 鋁合金主齒軸 20T 310118				Oil seal ×4 避震器氣室 130004		E-clip ×10 E形扣 110013
	M3×10 Screw ×10 沉頭螺絲 110052		5×11 Ball bearing ×2 培林 120011		Wheel axle ×2 萬向接杆 310006		Steel CVD universal shaft 48 ×2 鋼製CVD傳動軸 48 820136				Rod guide ×4 避震器下蓋墊片 210235		Damper O-ring P3 ×4 避震器O環 130028
	M3×12 Screw ×2 沉頭螺絲 110043												M3×4 screw ×4 沉頭螺絲 110099

PARTS



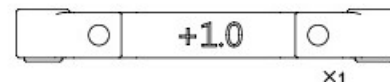
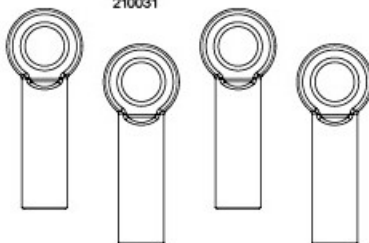
F & R Bumper set
前後防撞板組
230121



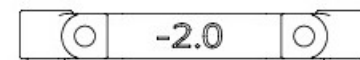
Wide balancing bumper sponge
防撞泡棉
130039
(not included)

5.8×26 Reinforced adjuster set
強化拉桿組

210031

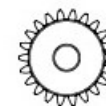


×1

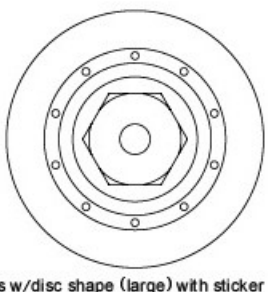
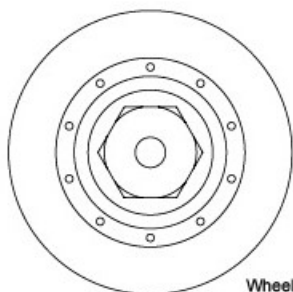


×3

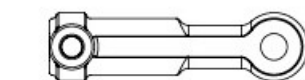
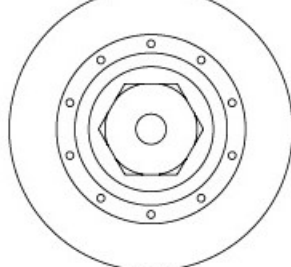
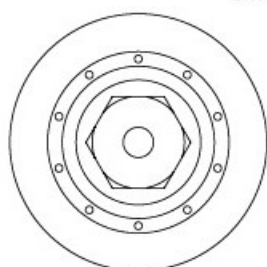
Suspension mount set (+1.0 / -2.0)
下擺臂座組 (+1.0 / -2.0)
230089



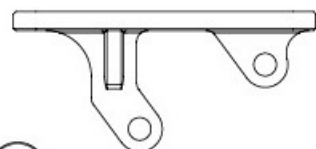
Pinion gear ×1
48P-22T
萬邊齒
148022P



Wheel hubs w/disc shape (large) with sticker
碟型六角輪座組 (加大型) 附貼紙
230041



RMX 2.5 fittings
RMX 2.5 配件組
230144



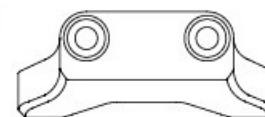
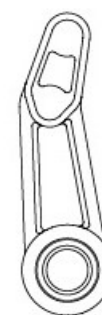
19.5
23T



RMX



19.5
25T

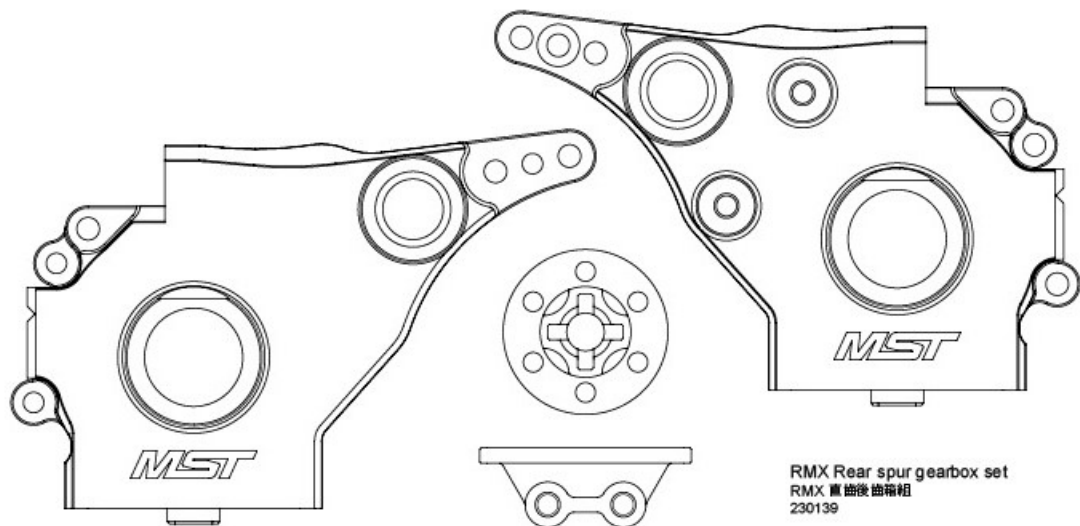


Steering arm set
轉向搖臂組
230088

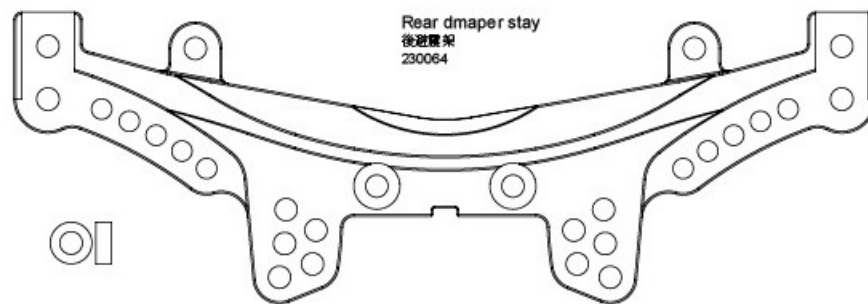


Enlarged brake calipers (red)
加大剎車卡鉗 (紅)
210510CR

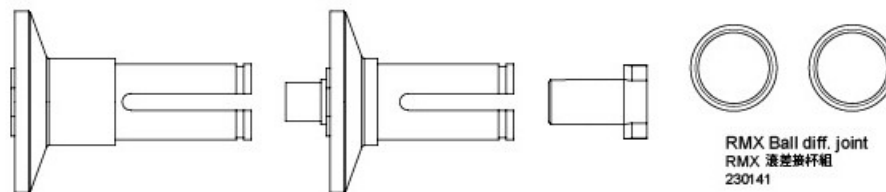
PARTS



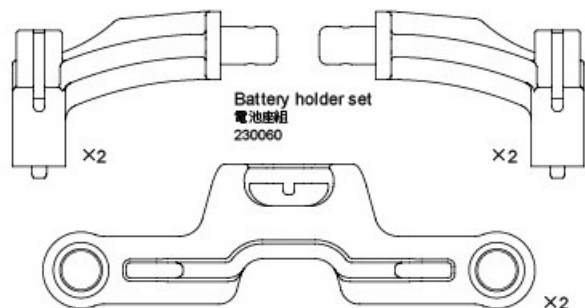
RMX Rear spur gearbox set
RMX 直齒後齒箱組
230139



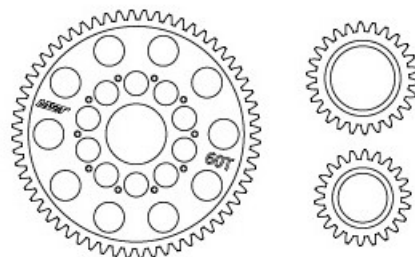
Rear dmaper stay
後避震架
230064



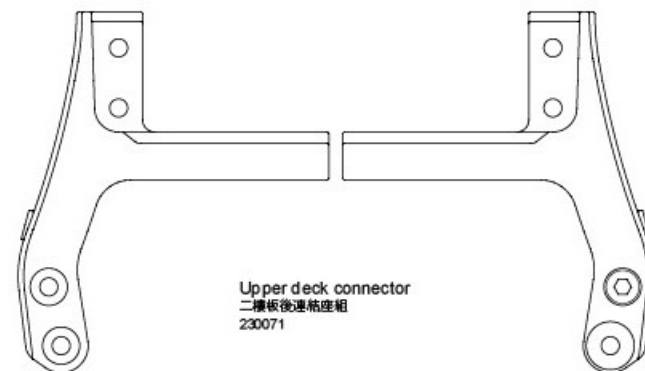
RMX Ball diff. joint
RMX 滾珠換杆組
230141



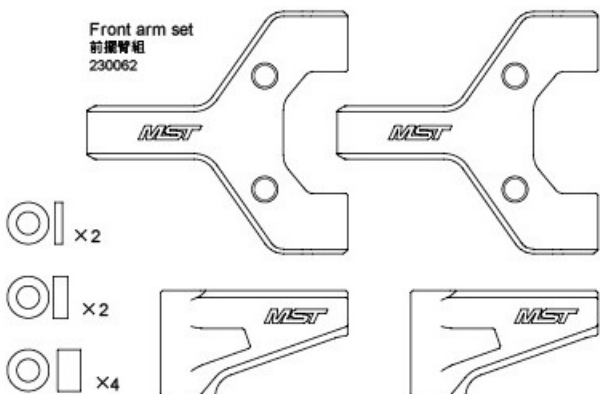
Battery holder set
電池座組
230060



Idler gear set & ball diff. gear
惰輪組&滾珠差速齒
230135

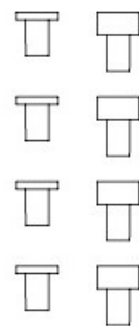
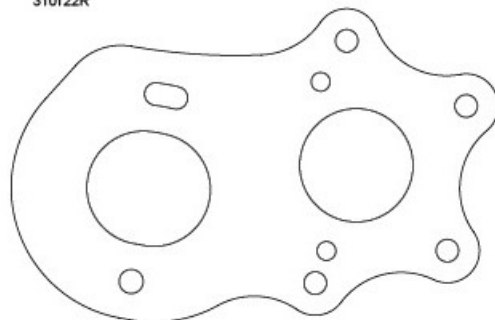


Upper deck connector
二樓板後連橋座組
230071

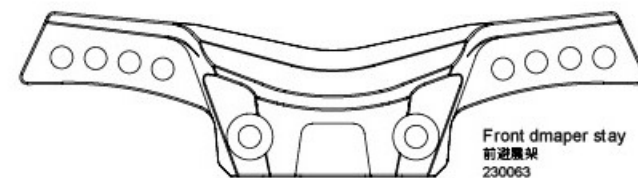


Front arm set
前擺臂組
230062

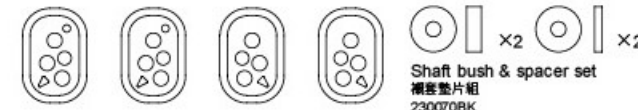
Spur gearbox motor mount (black)
RMX 直齒箱馬達座 (紅)
310122R



Shaft bush & spacer
set (white)
襯套墊片組 (白)
210083(W)

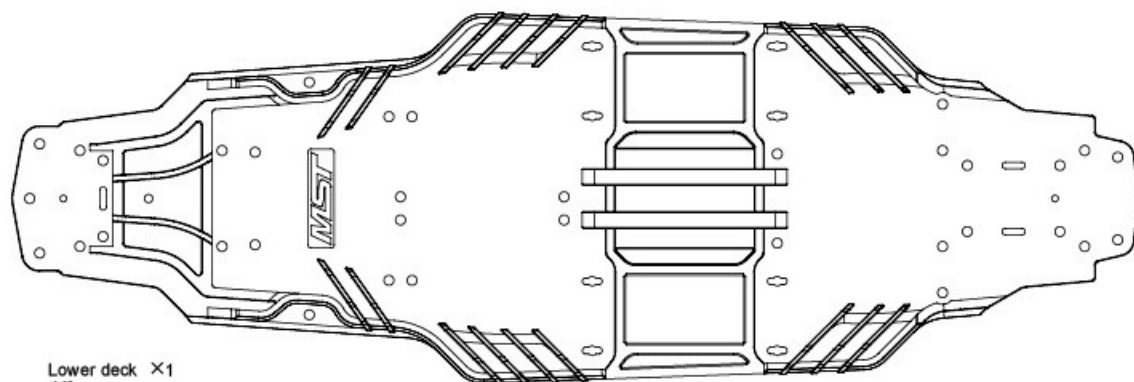


Front dmaper stay
前避震架
230063

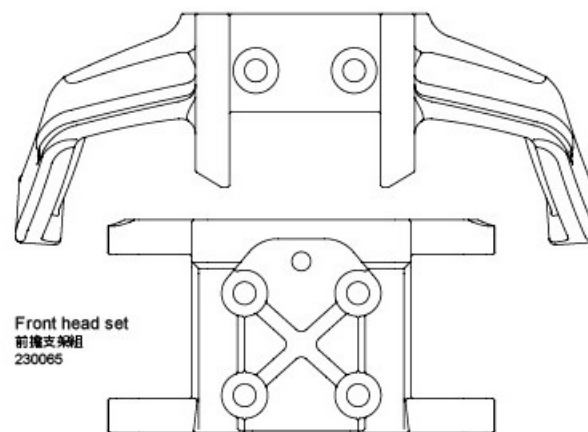


Shaft bush & spacer set
襯套墊片組
230070BK

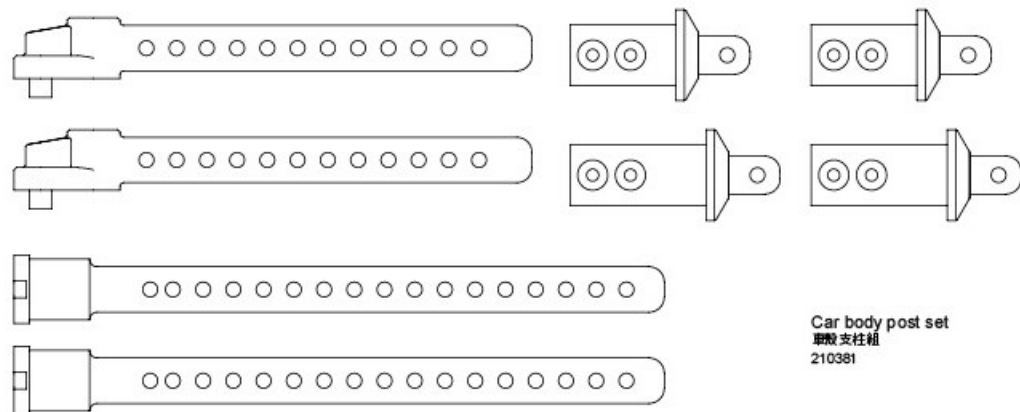
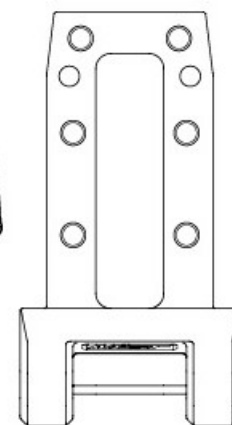
PARTS



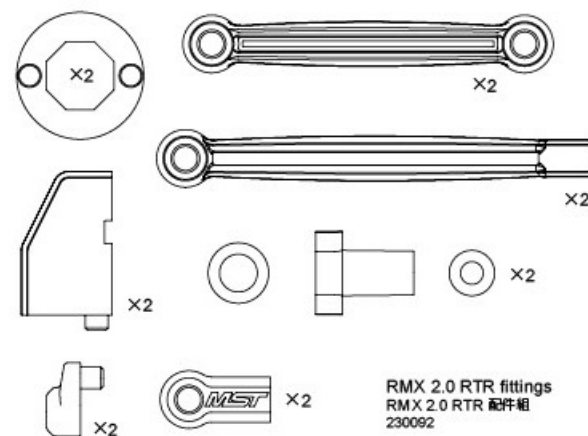
Lower deck ×1
底盤
230072



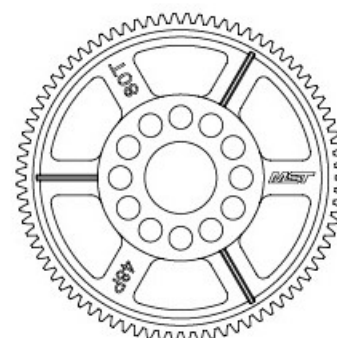
Front head set
前推支架組
230065



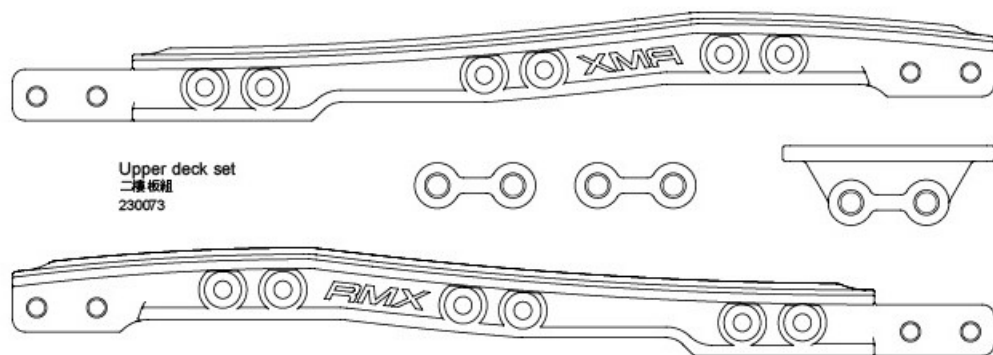
Car body post set
車殼支柱組
210381



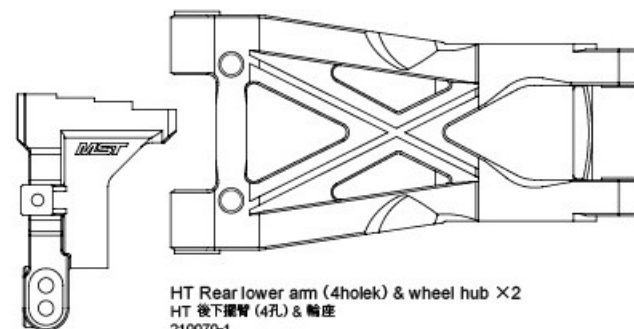
RMX 2.0 RTR fittings
RMX 2.0 RTR 配件組
230092



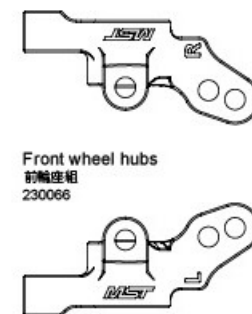
Spur gear 48P 80T
大齒齒
230068



Upper deck set
上機板組
230073



HT Rear lower arm (4hole) & wheel hub ×2
HT 後下擺臂 (4孔) & 輪座
210070-1



Front wheel hubs
前輪座組
230066

PARTS CODE

110001	Round head screw M3×6 (10)	110100	Cap screw M3×30 (6)	210235	Piston spacer set	230141	RMX ball diff. joint (spur)
110002	Round head screw M3×8 (10)	110101	Countersunk screw M3×20 (6)	210344	Ball connector nut L 4.8 (4)	230144	RMX 2.5 fittings
110004	Round head screw M2×4 (6)	110103	Set screw M3×30 (6)	210381	Car body post set	310001	Ball connector 4.8×4.5 (5)
110005	Countersunk screw M3×8 (10)	110120	Round head screw w/washer M3×8 (6)	210433	Ball connector 4.8×4.5 S (5)	310006	Wheel axle (2)
110011	Cap screw M3×6 (6)	120001	Ball bearing 10×15 (4)	210491	Ball connector L 5.8×4 (4)	310008	Piston rod (4)
110013	E-clip 2.0 (10)	120002	Ball bearing 5×10 (4)	210510CR	Enlarged brake calipers (red) (4)	310047	Arm shaft 2.0×22 (2)
110015	Flange nut M4 (4)	120003	Ball bearing 5×8 (4)	230041	Wheel hubs w/disc shape (large)	310048	Arm shaft 2.5×46 (4)
110017	Shaft 2×9.8 (10)	120011	Ball bearing 5×11 (4)	230058	Steering arm set	310103	Arm shaft 2×28 (2)
110025	Tapping round head screw 2.6×10 (6)	120013	Ball bearing 4×8×3 (2)	230060	Battery mount	310106R	Spring retainer (red) (2)
110026	Round head screw M3×10 (10)	120017	Bearing 5×8 (4)	230062	Front arm set	310118	Alum. main shaft 48P 20T
110029	Round head screw M3×12 (6)	120018	Ball bearing 4×10×4 (2)	230063	Front damper stay	310119	4X21 Steel center shaft (2)
110035	Set screw M3×3 (6)	120024	Bearing 3×6×2.5 (4)	230064	Rear damper stay	310122R	RMX Alum. spur gearbox motor mount (red)
110043	Countersunk screw M3×12 (10)	130004	Oil seal (4)	230065	Front head set	820017	Spacer 4×6×0.3 (8)
110045	Round head screw M2×8 (partial thread) (6)	130032	Damper cap O-ring (10)	230066	ATK Front wheel hubs	820018	Spacer 5×7×0.1 (8)
110047	Spacer 3×6×0.5 (8)	130039	Wide balancing bumper sponge	230068	Spur gear 48P-80T	820020	Spacer 5×7×0.3 (8)
110048	Spacer 3×8×0.5 (8)	130049	O-ring 12×1 (4)	230069	Suspension mount set (+1.0/-2.0)	820030	Cross joint (2)
110052	Countersunk screw M3×10 (10)	130028	Damper O-ring P3 (blue) (10)	230070BK	Shaft bush & spacer set	820049	Wheel hub spacer 1.0 (4)
110061	Round head screw M3×14 (6)	148022P	MST 48P Pinion 22T	230071	Upper deck connector	820063	Suspension mount spacer 0.5mm (4)
110063	Round head screw M2×8 (6)	210031	Reinforced adjuster set 5.8×26	230072	RMX Lower deck	820075BK	R-clip 5.0 (black) (10)
110083	Set screw M3×4 (6)	210057	Damper cap set	230073	RMX Upper deck set	820079	Damper plastic maintenance set (2)
110086	Round head screw M3×16 (6)	210063W	Shaft bush & spacer set (white)	230092	RMX 2.0 RTR fittings	820095	AKM 2WD axle (2)
110088	Round head screw M3×20 (6)	210070-1	HT Rear lower arm (4 holes) & wheel hub	230121	F & R Bumper set	820103	31mm Hard coil spring set (8)
110091	Cap screw M3×40 (6)	210071	Damper cylinder (2)	230135	Idler gear set & ball diff. gear	820104	31mm Soft coil spring set (8)
110099	Countersunk screw M3×4 (10)	210161	Ball connector nut 4.8 (4)	230139	RMX Rear spur gearbox set	820136	Steel CVD universal shaft 48 (2)

部品編號

110001	六角半圓頭螺絲 M3×6 (10)	110100	六角有頭螺絲 M3×30 (半牙) (6)	210235	避震器活塞墊片組	230141	RMX 滾差接杯組 (直齒用)
110002	六角半圓頭螺絲 M3×8 (10)	110101	六角沉頭螺絲 M3×20 (6)	210344	球頭螺絲 L 4.8 (4)	230144	RMX 2.5 配件組
110004	六角半圓頭螺絲 M2×4 (6)	110103	六角止付螺絲 M3×30 (6)	210381	車殼支柱組	310001	內六角半球頭 4.8×4.5 (5)
110005	六角沉頭螺絲 M3×8 (10)	110120	六角半圓頭帶墊片螺絲 M3×8 (6)	210433	內六角半球頭 4.8×4.5 S (5)	310006	萬向接杯 (2)
110011	六角有頭螺絲 M3×6 (半牙) (6)	120001	培林 10×15 (4)	210491	球頭螺絲 L 5.8×4 (4)	310008	避震軸心 (4)
110013	E扣 2.0 (10)	120002	培林 5×10 (4)	210510CR	加大煞車卡鉗 (紅) (4)	310047	擺臂插銷 2.0×22 (2)
110015	凸緣螺帽 M4 (4)	120003	培林 5×8 (4)	230041	碟型六角輪座組 (加大型)	310048	擺臂插銷 2.5×46 (4)
110017	插銷 2×9.8 (10)	120011	培林 5×11 (4)	230058	轉向搖臂組	310103	擺臂插銷 2×28 (2)
110025	自攻六角半圓頭螺絲 2.6×10 (6)	120013	培林 4×8×3 (2)	230060	電池座組	310106R	避震調整環 (紅) (2)
110026	六角半圓頭螺絲 M3×10 (10)	120017	軸承 5×8 (4)	230062	前擺臂組	310118	鋁合金主齒軸 48P 20T
110029	六角半圓頭螺絲 M3×12 (6)	120018	培林 4×10×4 (2)	230063	前避震架	310119	4×21 鋼製心軸 (2)
110035	六角止付螺絲 M3×3 (6)	120024	軸承 3×6×2.5 (4)	230064	後避震架	310122R	RMX 鋁合金直齒箱馬達座 (紅)
110043	六角沉頭螺絲 M3×12 (10)	130004	避震氣室 (4)	230065	前擔支架組	820017	墊片 4×6×0.3 (8)
110045	六角半圓頭螺絲 M2×8 (半牙) (6)	130032	避震上蓋O環 (10)	230066	ATK前輪座組	820018	墊片 5×7×0.1 (8)
110047	墊片 3×6×0.5 (8)	130039	寬形配重防撞泡棉	230068	大齒盤 48P-80T	820020	墊片 5×7×0.3 (8)
110048	墊片 3×8×0.5 (8)	130049	O環 12×1 (4)	230069	下擺臂座組 (+1.0/-2.0)	820030	連接軸 (2)
110052	六角沉頭螺絲 M3×10 (10)	130028	阻尼器O環 P3 (藍) (10)	230070BK	襯套墊片組	820049	輪座墊片 1.0 (4)
110061	六角半圓頭螺絲 M3×14 (6)	148022P	MST 48P 馬達齒 22T	230071	二樓板後連結座組	820063	擺臂座墊片 0.5mm (4)
110063	六角半圓頭螺絲 M2×8 (6)	210031	強化拉桿頭組 5.8×26	230072	RMX 底盤	820075BK	R銷 5.0 (黑) (10)
110083	六角止付螺絲 M3×4 (6)	210057	避震器上下蓋組	230073	RMX 二樓板組	820079	避震膠件包 (2)
110086	六角半圓頭螺絲 M3×16 (6)	210063W	襯套墊片組 (白)	230092	RMX 2.0 RTR 配件組	820095	AKM 二驅輪軸 (2)
110088	六角半圓頭螺絲 M3×20 (6)	210070-1	HT 後下擺臂 (4孔) & 輪座	230121	前後防撞板組	820103	31mm 硬避震彈簧組 (8)
110091	六角有頭螺絲 M3×40 (半牙) (6)	210071	避震器筒身 (2)	230135	惰輪組&滾珠差速齒	820104	31mm 軟避震彈簧組 (8)
110099	六角沉頭螺絲 M3×4 (10)	210161	球頭螺帽 4.8 (4)	230139	RMX 直齒式後齒箱組	820136	鋼製CVD傳動軸 48 (2)

02627