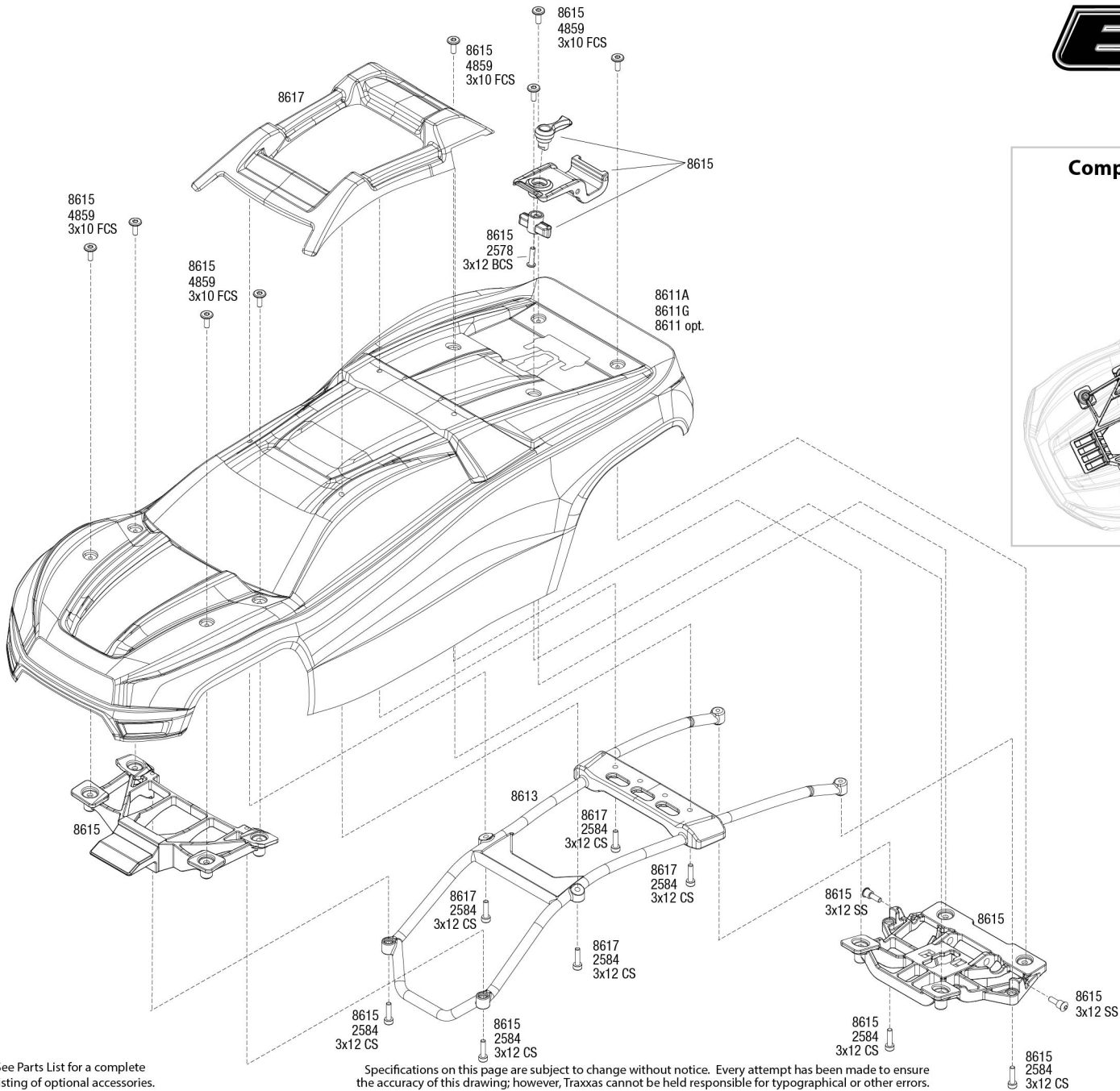
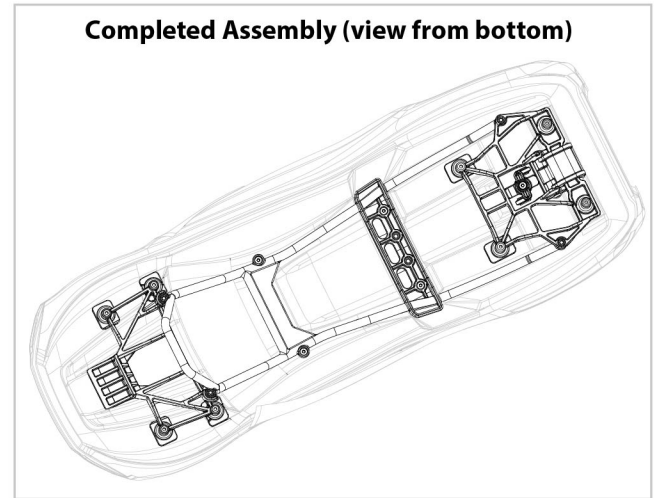


Body Assembly



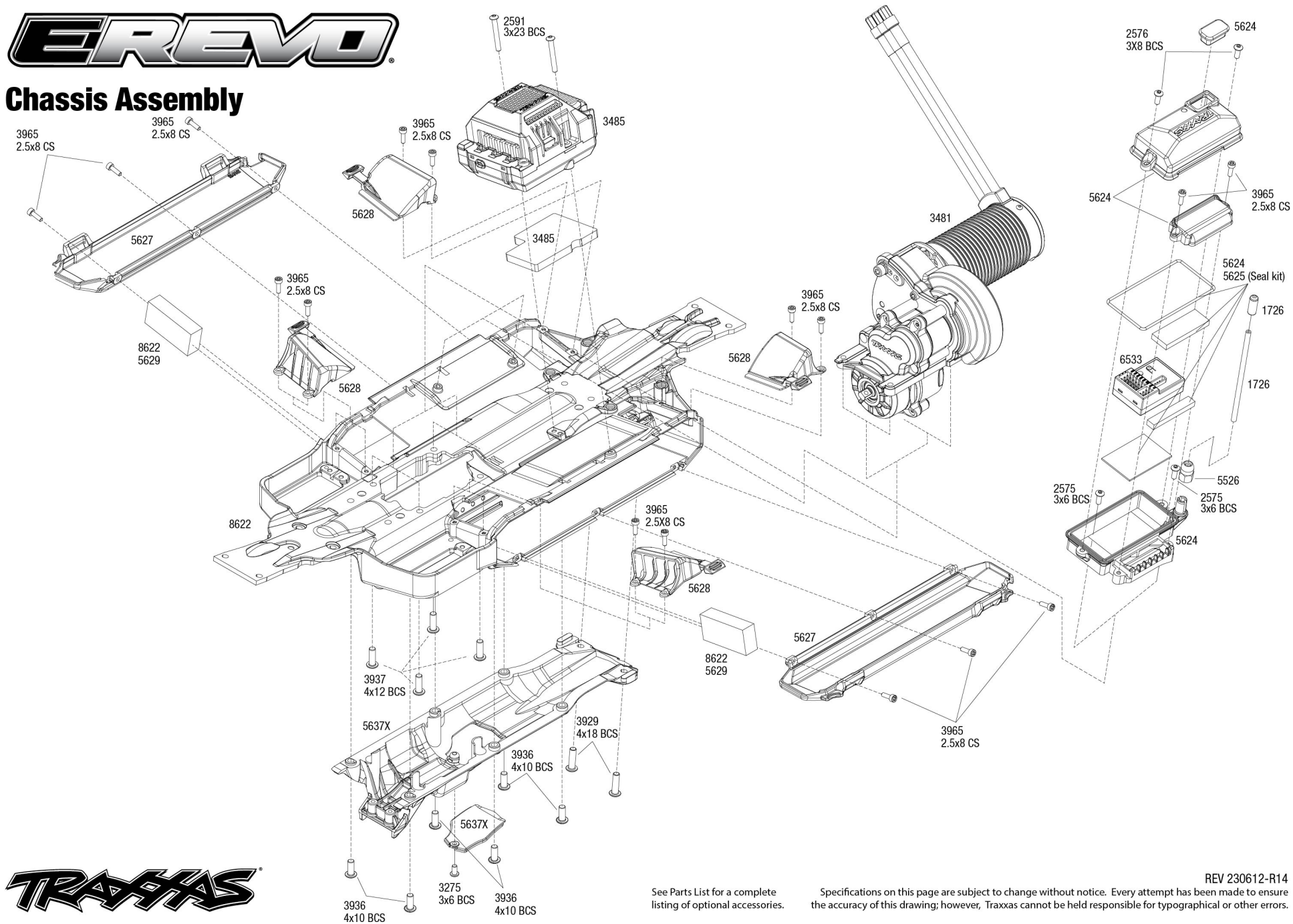
See Parts List for a complete listing of optional accessories.

Specifications on this page are subject to change without notice. Every attempt has been made to ensure the accuracy of this drawing; however, Traxxas cannot be held responsible for typographical or other errors.

REV 230612-R14



Chassis Assembly

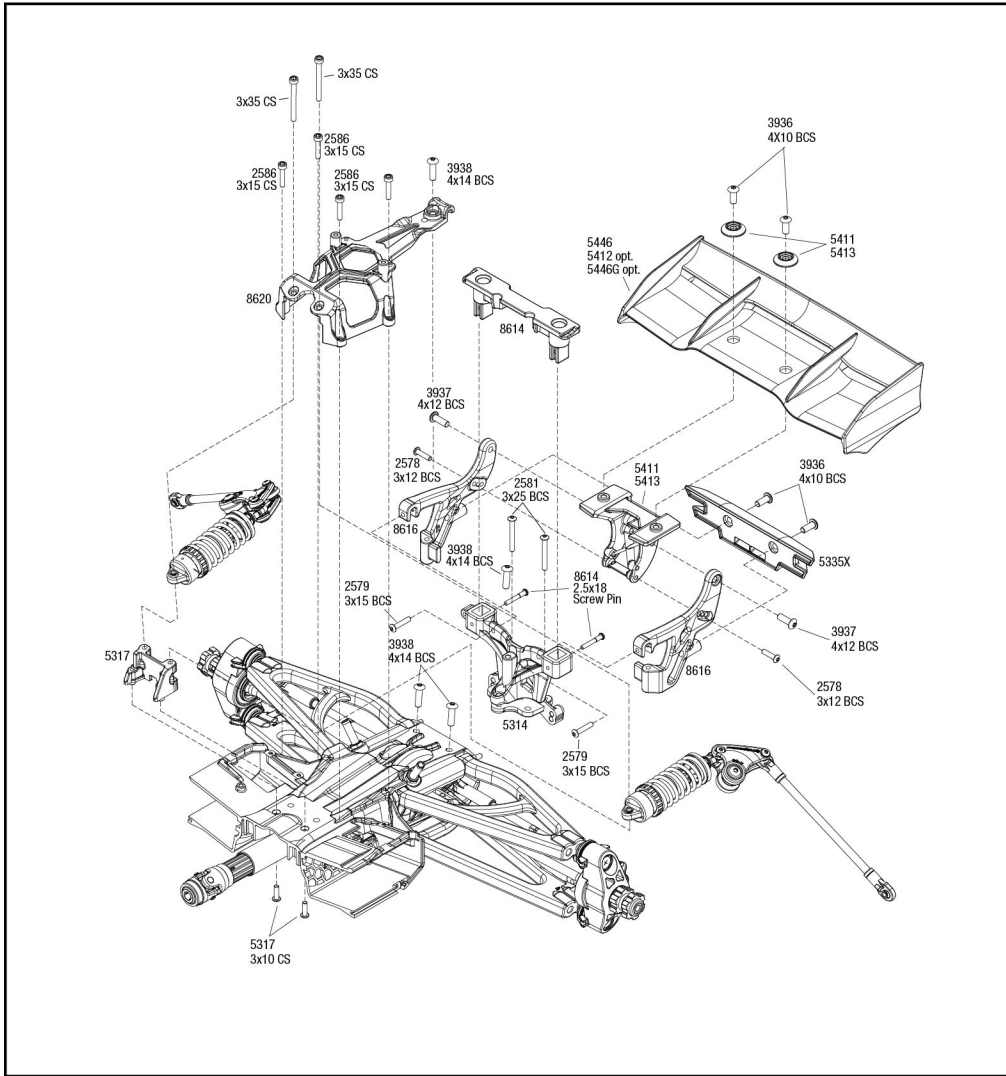


See Parts List for a complete listing of optional accessories.

Specifications on this page are subject to change without notice. Every attempt has been made to ensure the accuracy of this drawing; however, Traxxas cannot be held responsible for typographical or other errors.

REV 230612-R14

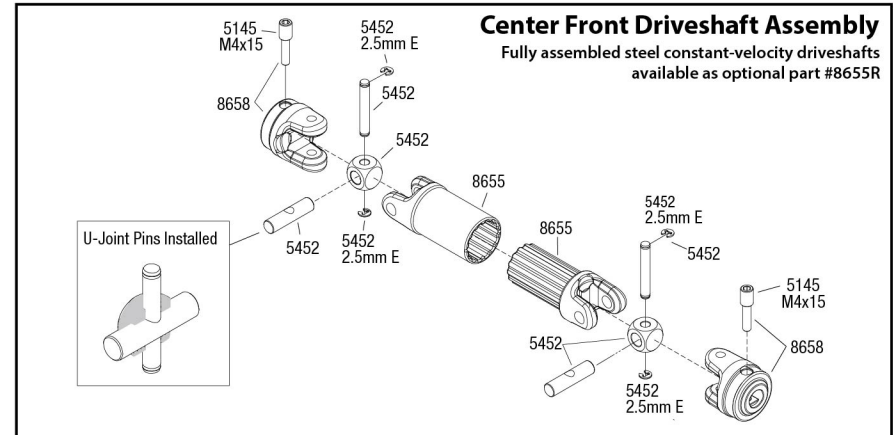
Wing Assembly



Driveshaft Assembly

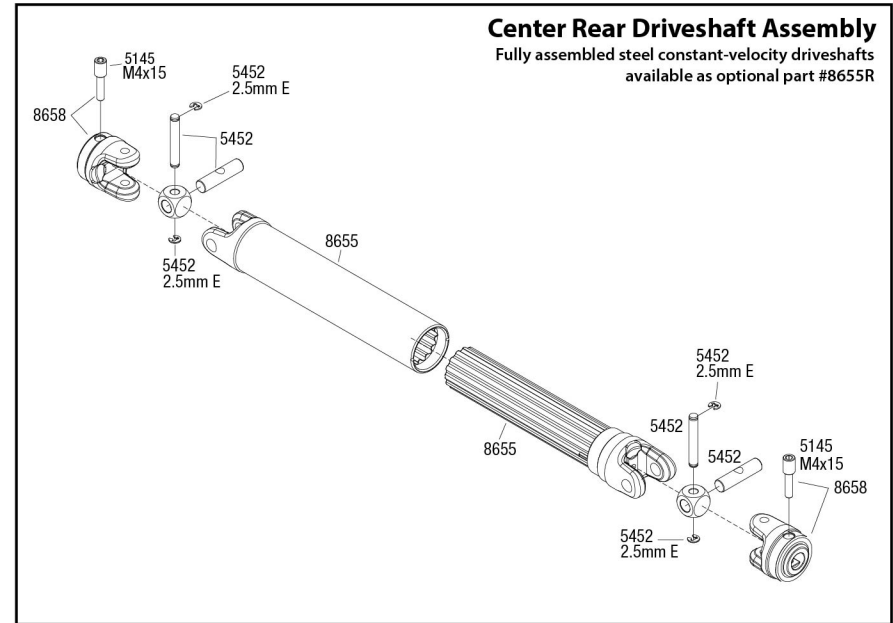
Center Front Driveshaft Assembly

Fully assembled steel constant-velocity driveshafts available as optional part #8655R



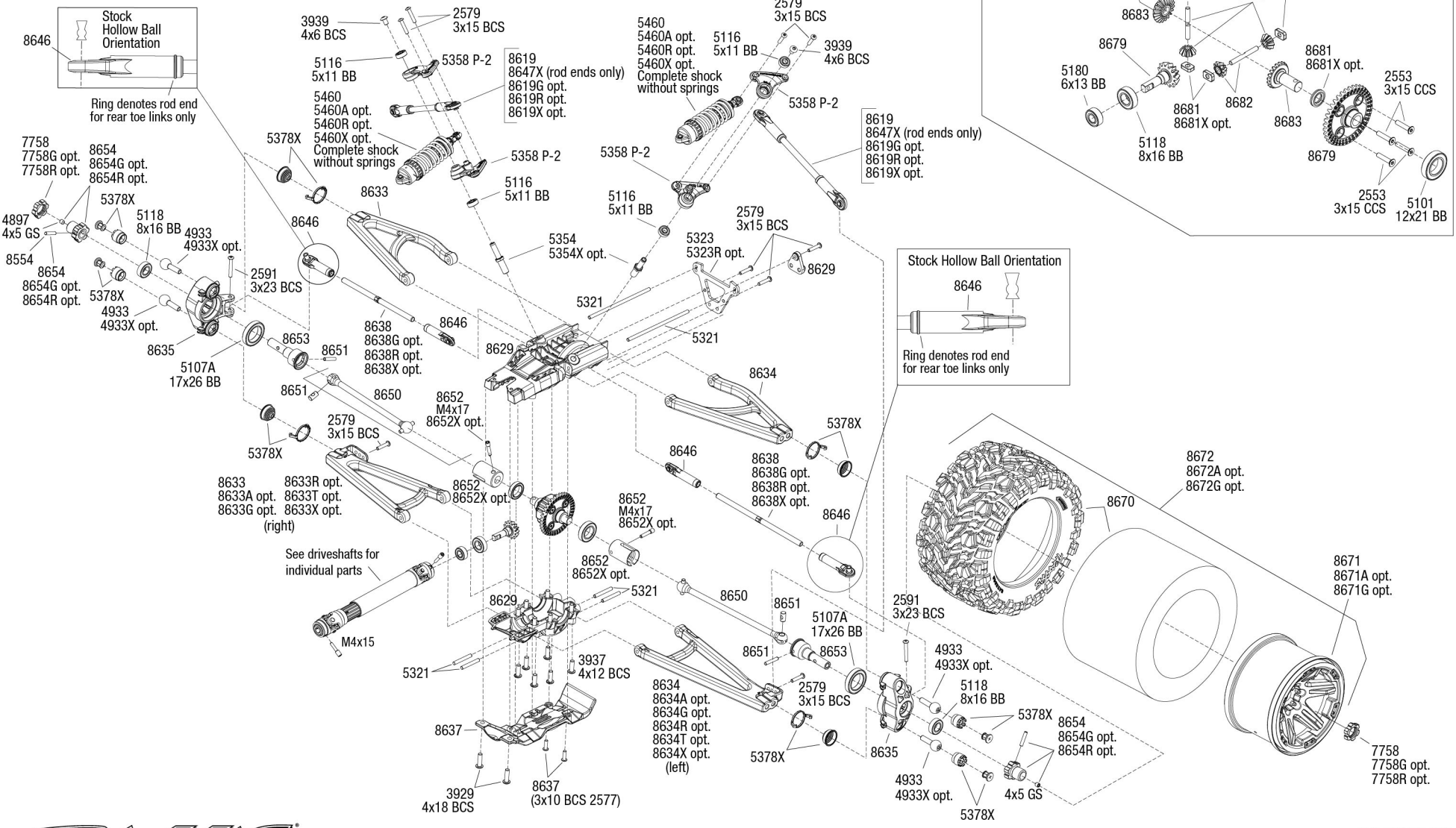
Center Rear Driveshaft Assembly

Fully assembled steel constant-velocity driveshafts available as optional part #8655R



Rear Assembly

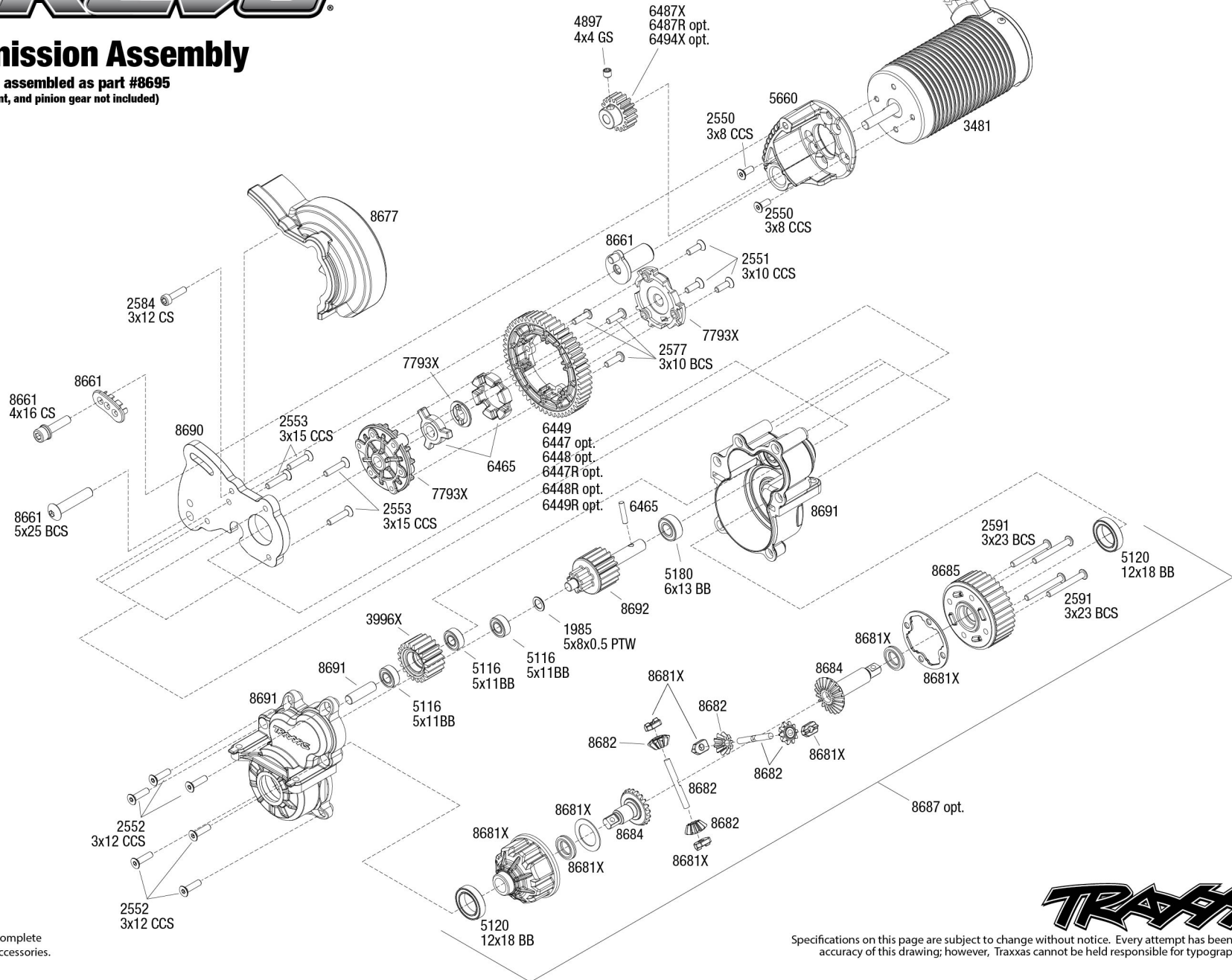
Front & Rear Differential Assembly Available fully assembled as part #8686





Transmission Assembly

Available fully assembled as part #8695
(motor, motor mount, and pinion gear not included)



See Parts List for a complete listing of optional accessories.

Specifications on this page are subject to change without notice. Every attempt has been made to ensure the accuracy of this drawing; however, Traxxas cannot be held responsible for typographical or other errors.



REV 230612-R14