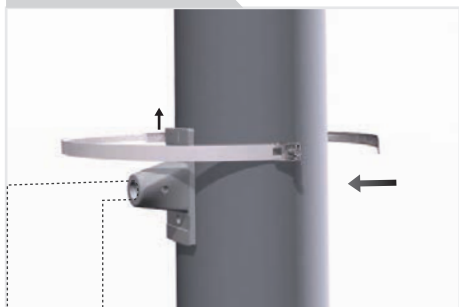


USER GUIDE

STREET FLAG TE-15SF-1(E)

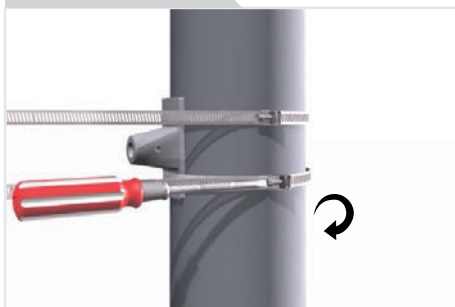


STEP 1



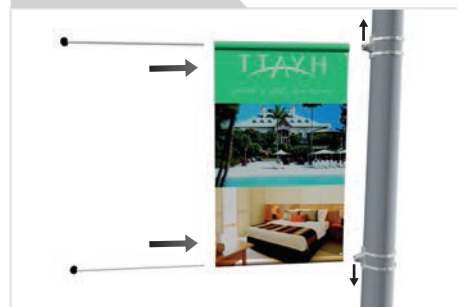
Put on the string

STEP 2



Fasten the ring with screws

STEP 3



Install the graphic into the poles

STEP 4



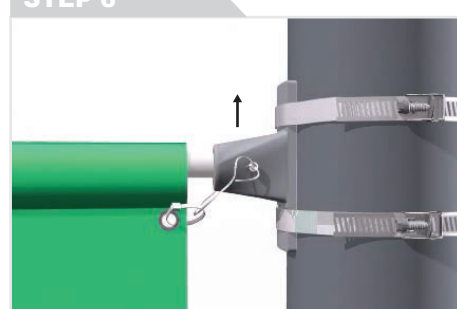
Insert the pole into the stand

STEP 5



Slide in the metal to secure it

STEP 6



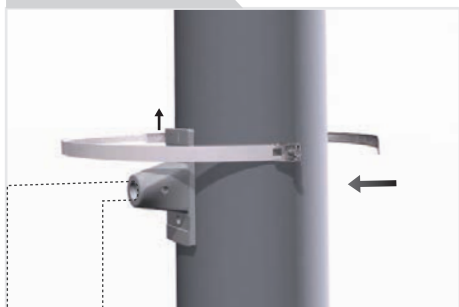
Lock the graphic

USER GUIDE

STREET FLAG TE-15SF-1(E)

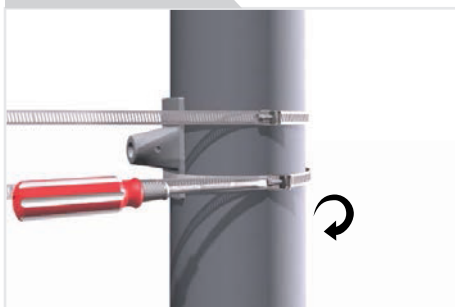


STEP 1



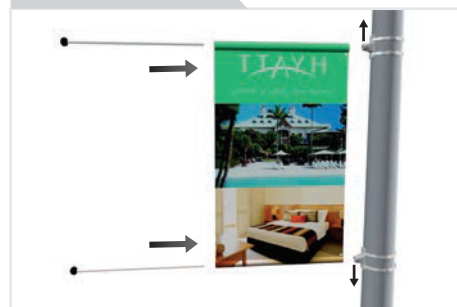
Put on the string

STEP 2



Fasten the ring with screws

STEP 3



Install the graphic into the poles

STEP 4



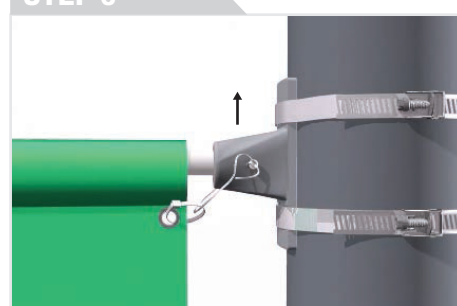
Insert the pole into the stand

STEP 5



Slide in the metal to secure it

STEP 6



Lock the graphic