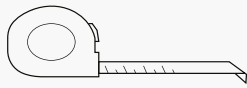
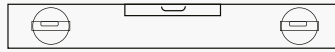


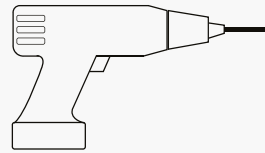
TOOLS REQUIRED



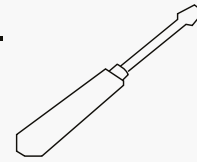
Tape Measure



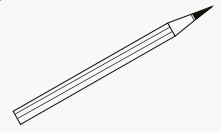
Level



Power Drill

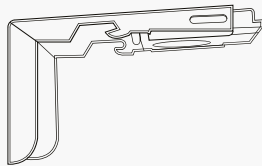


Screwdriver



Pencil

HARDWARE PROVIDED



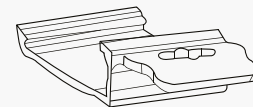
Metal Spring



Screw



Anchor



Handle
(Included with automatic ascent mechanism)

WIDTH OF THE BLINDS	METAL SPRING	SCREW	ANCHOR	HANDLE
Up to 47 inches	2	6	6	1
Between 47 inches and 70 inches	3	8	8	1
70 inches and more	4	10	10	1

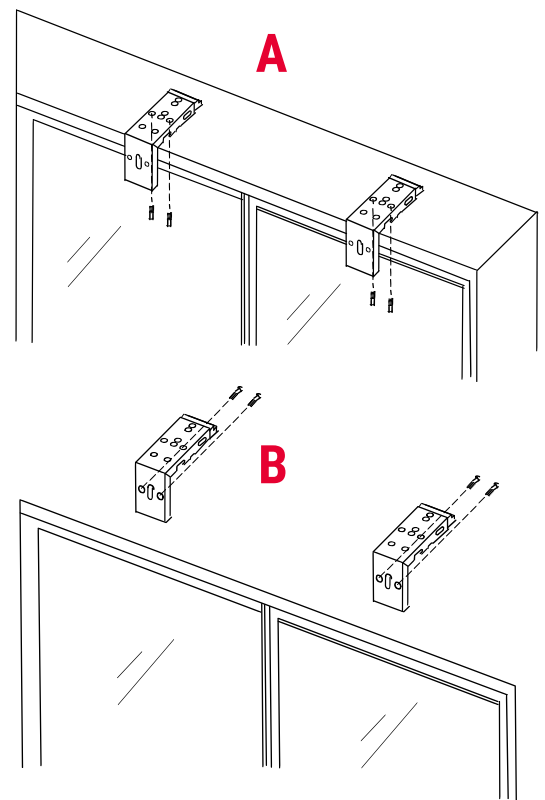
BRACKET INSTALLATION

Inside Installation

Install the metal springs inside the frame at about 2 inches from each end of the headrail using the screws and anchors provided and evenly distribute the other fixings, taking care to put the white tip forward. Ensure the fixings are level for best results (see drawing A).

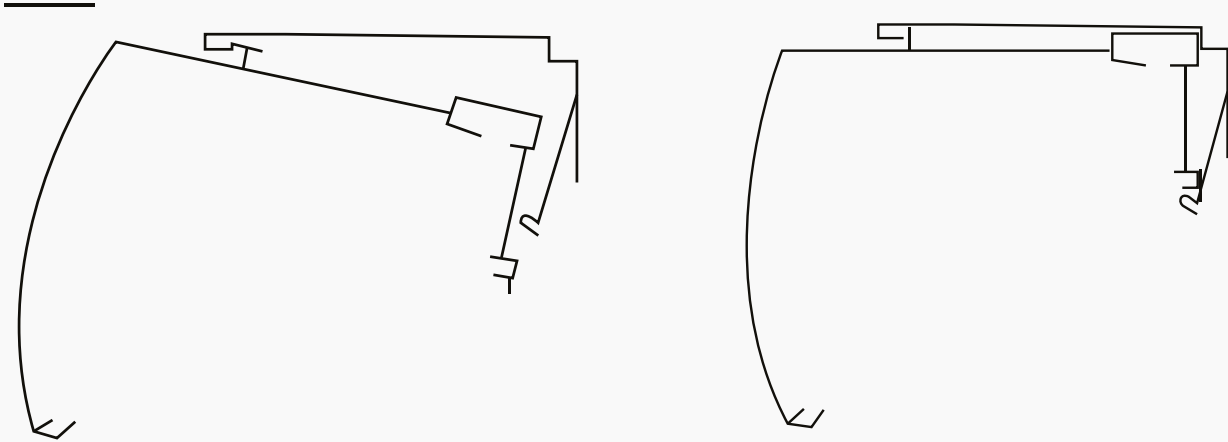
Outside Installation

Install the metal springs onto the frame or above the window frame about 2 inches from each end of the headrail using the screws and anchors provided and evenly distribute the other fixings well, taking care to put the white tips forward. Ensure the fixings are level for best results (see drawing B).



ASSEMBLY

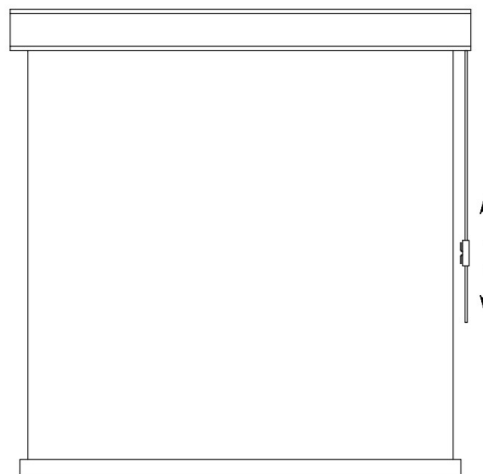
Insert the white ends of the fixings onto the front of the headrail cassette. Apply pressure while bringing the cassette level up until you hear a click.



HOW TO OPERATE

MANUAL STICK

To raise or lower the blind, hold the handle, put the cursor in the up or down position then pull or push the handle to raise and or lower the blind.



WARNING

STRANGULATION HAZARD – Young children can be strangled by cords. Immediately remove this product if a cord longer than 22 cm or a loop exceeding 44 cm around becomes accessible.

HOW TO OPERATE

AUTOMATIC ASCENT MECHANISM

HANDLE

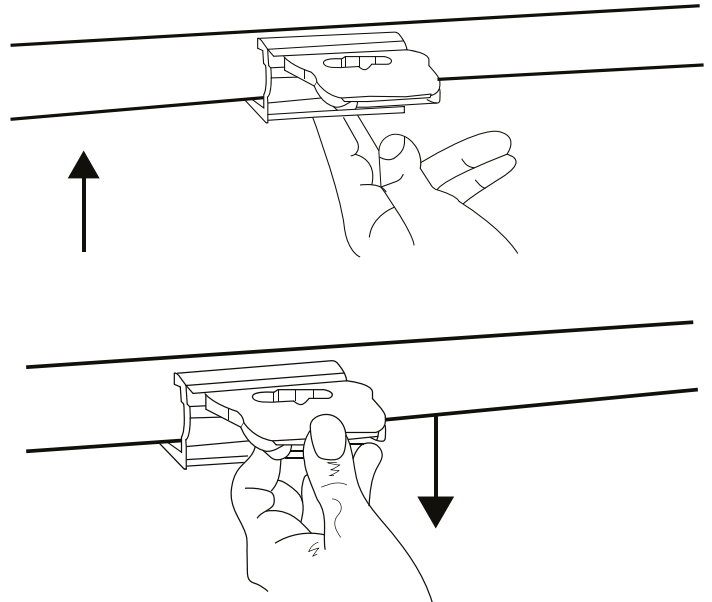
The handle is inside the hardware kit. Install the handle in the middle of the blind on the lower bar.

To close:

Grab the handle in the center or the bottom bar and lower the blind to the desired height and then release the blind.

To open:

Grab the handle in the center or bottom bar and gently lift the blind to the desired height and then release the blind.



WARNING

STRANGULATION HAZARD – Young children can be strangled by cords. Immediately remove this product if a cord longer than 22 cm or a loop exceeding 44 cm around becomes accessible.