



SRVL & SRVH SERIES RELIEF VALVES

QUALITY • VALUE • INNOVATION

Relief Valves

Features

- Compact design.
- Cracking pressure adjustable externally.
- Lock wire feature secures a given pressure setting.
- Every valve is factory tested.

Set Pressure

- Set pressure is the upstream pressure at which the first indication of flow occurs.
- Set pressure of each valve after initial relief is repeatable within $\pm 5\%$ of room temperature.

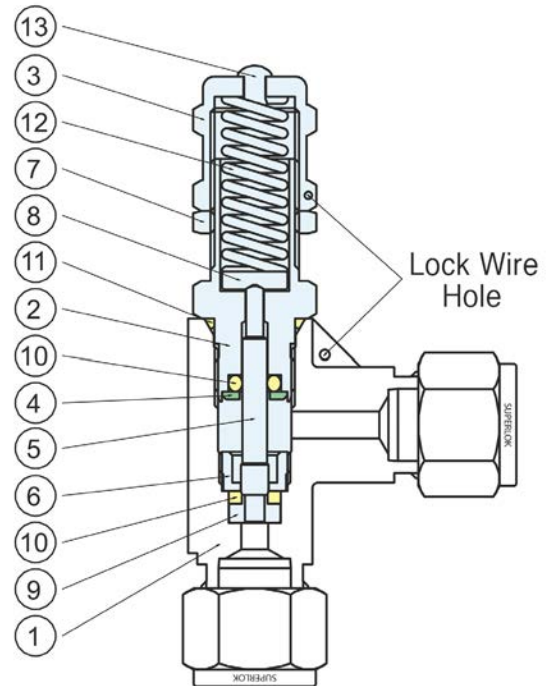


SRVL Series

Low Pressure Relief Valve

Technical Data

- Maximum working pressure : 300 psig (20.6 bar)
- Cracking pressure range : 10~250 psig (0.69~17.2 bar)
- Orifice size : 4.8mm
- One spring for the full set pressure range.
- If spring kit is required, use part no. SRVL-KIT



Materials of Construction

NO.	COMPONENT	MATERIAL	NO.	COMPONENT	MATERIAL
1	BODY	SS316 / A182	9	SEAT RETAINER	SS316 / A276
2	BONNET	SS316 / A276	10	SEAT	PTFE
3	CRACKING PRESSURE ADJUSTING NUT	SS316 / A276	11	O-RING	Viton
4	RETAINER	SS316 / A276	12	O-RING	Viton
5	STEM SHAFT	SS316 / A276	13	O-RING	Viton-316
6	STEM	SS316 / A276	14	SPRING	SS631
7	LOCK NUT	SS316 / A276	15	CAP	Polypropylene
8	SPRING SUPPORT	SS316 / A276			

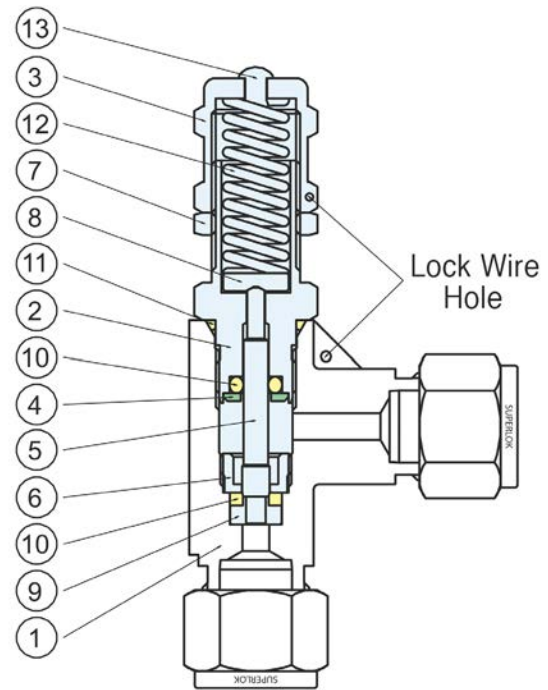
SRVH Series

High Pressure Relief Valve

Technical Data

- Maximum working pressure : 300 psig (20.6 bar)
- Cracking pressure range : 10~250 psig (0.69~17.2 bar)
- Orifice size : 4.8mm
- One spring for the full set pressure range.
- If spring kit is required, use part no. SRVL-KIT

Spring Designator	Spring Color	Cracking Pressure		
		psig	bar	kPa
YE	Yellow	225~750	15.5~51.5	1550~5150
PP	Purple	750~1500	51.5~103	5150~10300
OE	Orange	1500~2250	103~155	10300~15500
BN	Brown	2250~3000	155~206	15500~20600
WH	White	3000~4000	206~275	20600~27500
RD	Red	4000~5000	275~344	27500~34400
GN	Green	5000~6000	344~414	34400~41400



Materials of Construction

NO.	COMPONENT	MATERIAL	NO.	COMPONENT	MATERIAL
1	BODY	SS316 / A182	9	SEAT RETAINER	SS316 / A276
2	BONNET	SS316 / A276	10	SEAT	PTFE
3	CRACKING PRESSURE ADJUSTING NUT	SS316 / A276	11	O-RING	Viton
4	RETAINER	SS316 / A276	12	O-RING	Viton
5	STEM SHAFT	SS316 / A276	13	O-RING	Viton-316
6	STEM	SS316 / A276	14	SPRING	SS631
7	LOCK NUT	SS316 / A276	15	CAP	Polypropylene
8	SPRING SUPPORT	SS316 / A276			

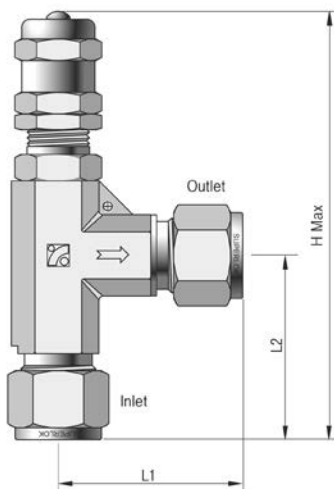


Table of Dimensions

Part Number	Orifice	End Connections		Dimensions		
		Inlet	Outlet	A	B	B1
S4	4.8	1/4" SSuperlok		38.7	37.3	104.6
S6M		6mm Superlok		38.7	37.3	104.6
S8M		8mm Superlok		38.7	37.3	104.6
S6		3/8" Superlok		44.4	44.4	111.7
S8		1/2" Superlok		46.7	46.7	114.0
S12M		12mm Superlok		46.7	46.7	114.0
M8N-S8		1/2" Male NPT / 1/2" Superlok		46.7	35.7	103.0
M8N-S12M		1/2" Male NPT / 12mm Superlok		46.7	35.7	103.0
M4N-F4N		1/4" Male NPT / 1/4" Female NPT		30.0	32.2	99.5
M6N-F6N		3/8" Male NPT / 3/8" Female NPT		34.5	32.2	99.5
M6N-F6N		1/2" Male NPT / 1/2" Female NPT		38.0	35.7	103.0

- Dimensions shown with SUPERLOK ends are measured with nuts in the finger tight position.
- All dimensions in millimeters unless specified as "inch". Dimension are for reference only, subject to change.

Ordering Information

Example:

STV2 - M 4N - N - B

1
2
3
4
5

1. Valve Series

- SRVL : Low Pressure
- SRVH : High Pressure

4. O-Ring Material

- Blank : Viton
- N : NBR
- K : Kalez

2. End Connection

- S : SUPERLOK Tube Fitting
- M : Male Pipe Thread
- F : Female Pipe Thread

5. Body Material

- Blank : 316 Stainless Steel
- B : Brass

3. Port Size

Pipe Thread Designation

Size (in.)	1/8	1/4
ISO Tapered	2R	4R
NPT	2N	4N

Tube O.D Designation

Tube O.D (in.)	1/8	1/4	3/8	1/2
Designation	2	4	6	8
Tube O.D (mm)	3	6	10	12
Designation	3M	6M	10M	12M

OTHER PRODUCTS

Superlok Tube Fittings



High quality dual and single ferrule Tube fittings for the most reliable tube connections. Our tube fitting are available in a broad range of sizes, materials and configurations.

Tubing



High quality stainless steel and exotic alloy tubing for industrial process and instrumentation. We proudly represent Alleima (Sandvik), the world leader in development of stainless steels and advanced alloys for industry.

Valves



A full range of instrument ball valves, needle valves, check valves and relief valves. Our instrument valves are available in multiple configurations, end connection sizes and materials.

UHP Fittings & Valves



Ultra-High Purity fittings & valves are used to connect tubing in industries that require extremely clean and contaminant-free systems. The process involves electro-polishing and ultrasonic cleaning with deionized water.



Unmatched
PERFORMANCE
& RELIABILITY

CONTACT US

1.888.898.1967

BMT FLUID COMPONENTS
SUPERLOK®

BMTsuperlok.com