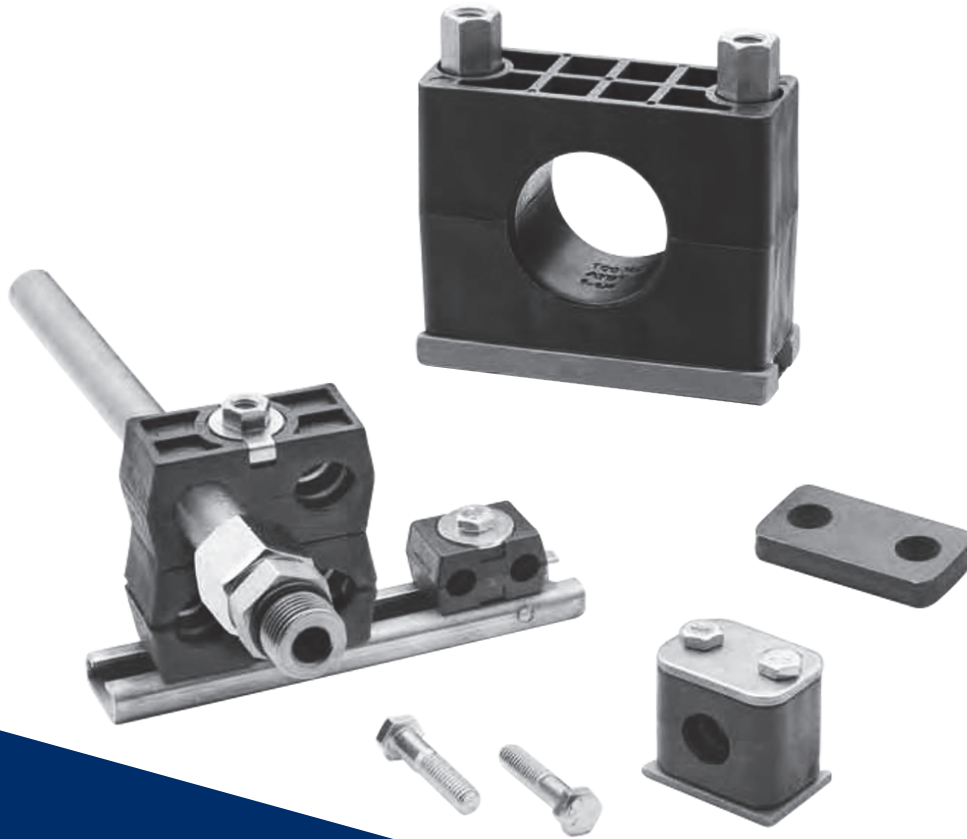


BMT

FLUID COMPONENTS
NORTH AMERICA



TUBE SUPPORT KITS

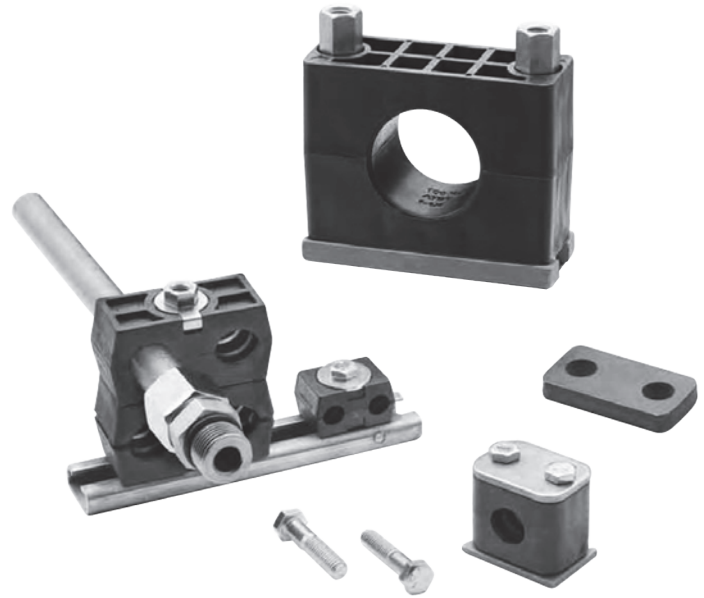
QUALITY, VALUE AND INNOVATION.



BMTFC.COM

TUBE SUPPORT KITS

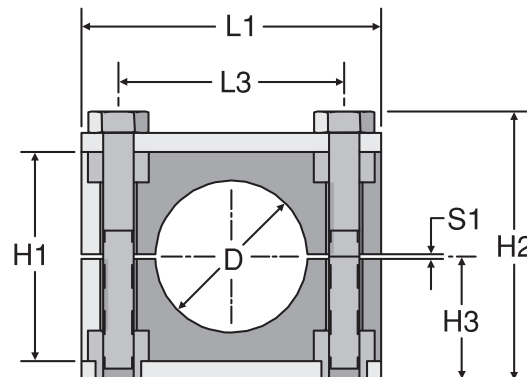
Standard Series



Kit Includes: (2) Clamp Halves, (2) Hex Head Bolts and (1) Cover Plate

TUBE CLAMP KITS

KIT PART #		GROUP	TUBE SIZE in	D		H1 in	H2 in	H3 in	L1 in	L3 in	S1 in
316SS	STEEL			in	mm						
3201804	3077755	1A	1/4	0.25	6.4	1.06	1.45	0.65	1.45	0.78	0.01
3163429	3077734	1A	3/8	0.38	9.5	1.06	1.45	0.65	1.45	0.78	0.01
3186194	3077737	2	1/2	0.50	12.7	1.29	1.69	0.77	1.65	1.02	0.01
3218916	3077738	2	5/8	0.63	16.0	1.29	1.69	0.77	1.65	1.02	0.01
3216494	3077739	3	3/4	0.75	19.0	1.41	1.77	0.80	1.96	1.29	0.01
3218545	3077741	3	1	1.00	25.4	1.41	1.77	0.80	1.96	1.29	0.01
3218917	Contact Us	5	1-1/4	1.25	32.0	2.28	2.72	1.28	2.79	2.04	0.03
3218918	3077746	5	1-1/2	1.50	38.1	2.28	2.72	1.28	2.79	2.04	0.03
3218922	Contact Us	6	2	2.00	50.8	2.59	3	1.42	3.38	2.59	0.03



Materials: Clamp Halves: Black Polypropylene

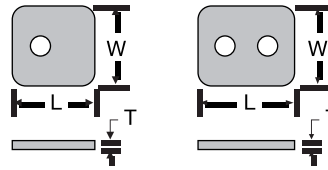
TUBE SUPPORT KITS

PIPE CLAMP KITS

KIT PART #		GROUP	PIPE SIZE in	D		H1 in	H2 in	H3 in	L1 in	L3 in	S1 in
316SS	STEEL			in	mm						
3218748	3077727	3	1/2	0.84	21.30	1.41	1.77	0.80	1.96	1.29	0.01
3218693	Contact Us	4	3/4	1.05	26.60	1.65	2.09	0.96	2.32	1.57	0.01
3218924	3077744	5	1	1.31	33.40	2.28	2.72	1.28	2.79	2.04	0.03
Contact Us	3077731	6	1-1/2	1.90	48.30	2.59	3.00	1.42	3.38	2.59	0.03

COVER PLATE

GROUP	L in	W in	T in
1A	1.33	1.18	0.11
2	1.59	1.18	0.11
3	1.88	1.18	0.11
4	2.24	1.18	0.11
5	2.75	1.18	0.11
6	3.38	1.18	0.11



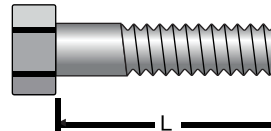
Materials:

Steel: Zinc Nickel Plated

Stainless Steel: 316SS

HEX HEAD BOLT

GROUP	L in
1A	1.25
2	1.38
3	1.5
4	1.88
5	2.38
6	2.75



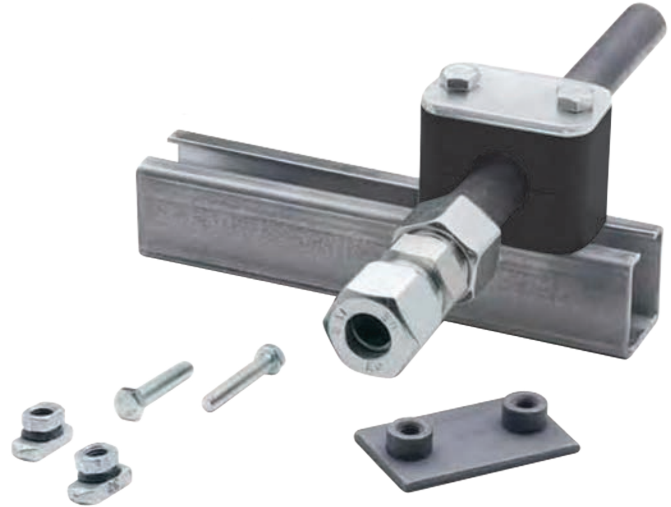
Materials:

Steel: Zinc Clear

Chomate Plated

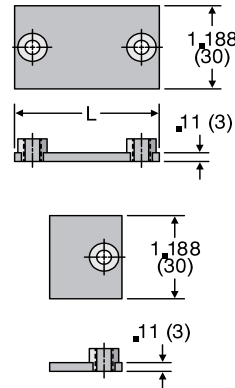
Stainless Steel: 18-8 SS

MOUNTING OPTIONS



WELD PLATE

PART #		GROUP	L	
SS	STEEL		in	mm
3219087	3077713	1A	1.41	36
3219089	3077700	2	1.65	42
3219090	3077707	3	1.96	50
3219092	3219091	4	2.36	60
3219093	3077718	5	2.79	71
3219094	3077712	6	3.46	88



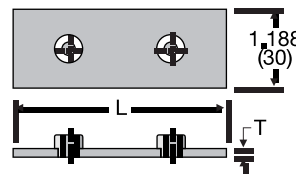
Materials:

Steel: 1020 Steel, Zinc Phosphate Plated

Stainless Steel: 316 SS

WELD PLATE - ELONGATED

PART # STEEL	GROUP	L	
		in	mm
3219095	1A	2.51	64
3219096	2	2.75	70
3077758	3	3.07	78
3219097	4	3.42	87
3077759	5	3.93	100
3219098	6	4.52	115



Materials:

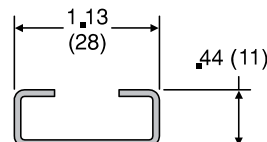
Steel: 1020 Steel, Zinc Phosphate Plated

Stainless Steel: 316 SS

*Available Upon Request

MOUNTING RAIL

PART #	L	
	ft	m
3042967	3.28	1



Materials:

Steel: Steel Unplated

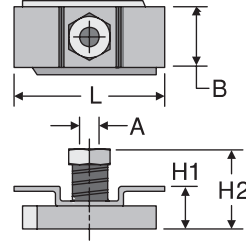
Stainless Steel: 316 SS

*Available Upon Request

TUBE SUPPORT KITS

CHANNEL RAIL ADAPTER (2) REQUIRED

PART #	THREAD "A" UNC	L in (mm)	B in (mm)	H1 in (mm)	H2 in (mm)
3077760	1/4-20	1.37 (35)	0.74 (19)	0.51 (13)	0.77 (19.5)

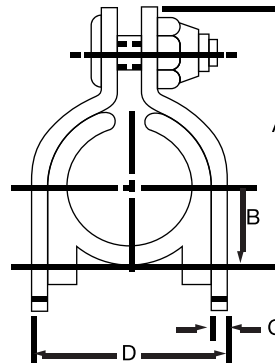


Materials:

Steel: Zinc Nickel Plated

STRUT MOUNTED CUSHION CLAMP ASSEMBLY

PART #	TUBE O.D. in	A in	B in	C in	D in
3199686	1/4	1.11	0.22	0.75	0.62
3199687	3/8	1.24	0.28	0.75	0.75
3199688	1/2	1.36	0.34	0.75	0.87
3199689	3/4	1.78	0.53	0.75	1.33
3199690	1	2.03	0.66	0.75	1.79



Materials:

High Strength Thermoplastic Elastomer (TPE)

Stainless Steel: 304SS

Temperature Rating:

-65°F (18°C) to +275°F (135°C)

Torque Specifications:

*Available Upon Request

TUBE STRAPS

PART #	TUBE O.D. in	BAND WIDTH in
3043253	1/4	1/2
3043254	3/8	1/2
3043255	1/2	1/2



Materials:

Steel: Zinc Plated

Stainless Steel:

*Available Upon Request

PLASTIC TUBE SUPPORT STRIPS

PART #	TUBE O.D. in	NO. OF TUBES	HOLE SIZE in
3063182	1/4	10	0.187
3063185	3/8	10	0.187
3063186	1/2	6	0.187



OTHER PRODUCTS



Superlok Tube Fittings

High quality dual and single ferrule Tube fittings for the most reliable tube connections. Our tube fitting are available in a broad range of sizes, materials and configurations.



Valves

A full range of instrument ball valves, needle valves, check valves and relief valves. Our instrument valves are available in multiple configurations, end connection sizes and materials.



Tubing

High quality stainless steel and exotic alloy tubing for industrial process and instrumentation. We proudly represent Alleima (Sandvik), the world leader in development of stainless steels and advanced alloys for industry.



UHP Fittings & Valves

Ultra-High Purity fittings & valves are used to connect tubing in industries that require extremely clean and contaminant-free systems. The process involves electro-polishing and ultrasonic cleaning with deionized water.

Unmatched PERFORMANCE & RELIABILITY

CONTACT US

1.888.898.1967

BMT
FLUID COMPONENTS
NORTH AMERICA

BMTFC.COM