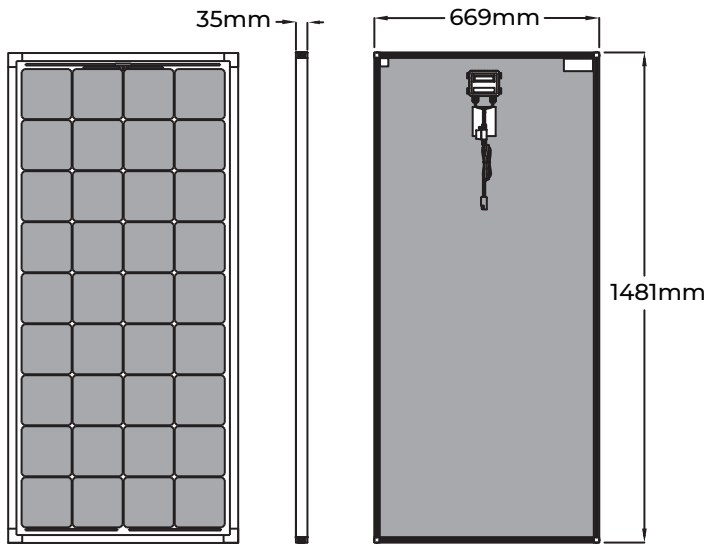
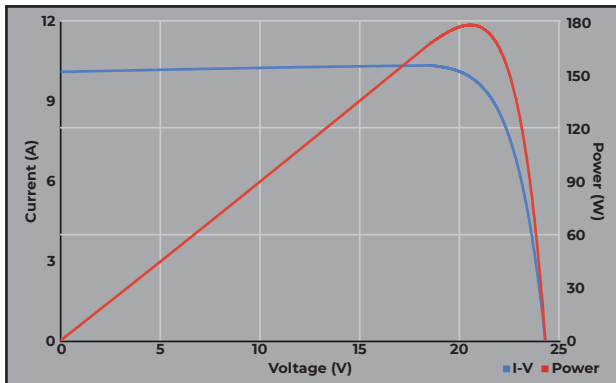


US MODULE, 170W, LEGACY SERIES SOLAR PANEL



MODULE SPECIFICATIONS	
CELL TYPE	MONOCRYSTALLINE
PEAK POWER (Pmax)	180 WATTS
POWER TOLERANCE RANGE (%)	± 5%
OPEN CIRCUIT VOLTAGE/Voc (V)	24.61
MAX. POWER VOLTAGE/Vmp (V)	19.66
SHORT CIRCUIT CURRENT/IsC (A)	9.73
MAX. POWER CURRENT/Imp (A)	9.19
MAX. SYSTEM VOLTAGE (V)	300 VDC
DIMENSION (mm)	1481 X 669 X 35(± 3mm)
WEIGHT (KG)	11
FRAME COLOR	SILVER



**170-WATT LEGACY SOLAR PANEL**

Our LEGACY SERIES 170-Watt Solar panel is perfect for all solar project applications. It is durable and can be mounted in any location with the Omni-Mount frame. The transparent POE (polyolefin elastomer) encapsulant provides superior moisture resistance in the most rapidly changing conditions. Legacy panels can charge any type of 12-volt battery bank, including lithium, and offer the easiest installation.

- ⚡ 1.5" (35mm) Omni-Mount frame for superior rigidity, strength and infinite mounting options
- ⚡ ATP Series™ IP67 Interconnect Plug (Mated Condition)
- ⚡ AR Coated Tempered Glass
- ⚡ Fuse-protected, all weather, plug-and-play wiring