



A concise approach to a broad spectrum of commercial curtain track requirements with simplistic control options and designed for almost every application.

yewdale.co.uk
see things differently



YewdaleVitesse® the curtain track system

A concise approach to a broad spectrum of commercial curtain track requirements with simplistic control options and designed for almost every application.



A Full Selection

Based around a quality aluminium core for maintenance-free and long life durability, coupled with robust plastic componentry, the YewdaleVitesse® system provides the perfect platform for your curtains to hang from.

Brought to you by a specialist shading and privacy manufacturer, the YewdaleVitesse® range of curtain tracks provides one of the most comprehensive solutions available. You'll find a track for almost every application, from the lightest of net tracks to heavy-duty corded and motorised tracks for large and heavy curtains.

O&M Guide

All YewdaleVitesse® hand drawn curtain tracks are designed to require little or no maintenance. The tracks and components are made from durable materials that will not corrode in normal use. In the event of damage most components are replaceable. Tracks with gliders may be lubricated occasionally with a sparing application of silicone to retain sliding efficiency. Tracks with roller runners should not be lubricated. Spare parts may be obtained from the dealers.

The full range YewdaleVitesse®

Hand Drawn Curtain Tracks 4

Aluminium profiled, smooth operation curtain tracks for hand operation use - often the preferred option in public areas where many different persons may draw the curtains.

Cord Drawn Curtain Tracks 14

Elegant aluminium profiled track for ease of use, with a touch of luxury. The smooth and quiet operation of these tracks makes them at home in the most demanding environments.

Electric Curtain Track 20

Designed for strength and reliability, giving years of trouble-free use, these electric aluminium curtain tracks represent the ultimate in curtain control.





YewdaleVitesse® Hand Drawn Curtain Tracks

The YewdaleVitesse® range of curtain tracks is one of the most comprehensive available. There is a track for almost every application, from the lightest of net tracks to heavy-duty corded or motorised tracks for large or heavy curtains.

The hand-drawn tracks shown here are each designed to be strong, reliable, and to give years of trouble-free use. The range comprises of 9 different track profiles, all manufactured from aluminium with high-grade plastic components, and complete with a choice of sturdy and unobtrusive brackets.

Hand drawn curtain tracks, as well as being economical and simple to operate, are often the preferred option in public areas where many different persons may draw the curtains. When specifying hand drawn tracks, window size, curtain weight, usage intensity, fixing requirements and aesthetics should all be assessed, allowing the most appropriate track to be selected.

The details on these pages will enable the specifier to make informed decisions with reference to these requirements, thus ensuring that YewdaleVitesse® hand drawn curtain tracks will give optimum performance and lasting satisfaction. YewdaleVitesse® curtain tracks are available in fully made to measure form - completely ready for installing, or in a comprehensive individual component form - for ease of use within any in-house manufacturing facility. The full range is distributed globally through a network of dealers and customers providing an unrivalled level of support, and with experienced installation and service teams to exceed your expectations.

- 5000W Hand Drawn 5
- 5200W Hand Drawn 6
- 5400W Hand Drawn 7
- 5600W Hand Drawn 8
- 5800W Hand Drawn 9
- 6200W Hand Drawn 10
- 6400W Hand Drawn 11
- 6700W Hand Drawn 12
- 6800W Hand Drawn 13



this curtain track range comes with a full Lifetime Warranty as standard.



Section shown full size



5000W Hand Drawn

Features:
The YewdaleVitesse® 5000W hand drawn curtain track is a top-fix track as standard. Its white aluminium track, with a neat and unobtrusive design, is designed for use with lightweight curtains and net curtains. Gliders are supplied at a quantity of 16 per linear metre.

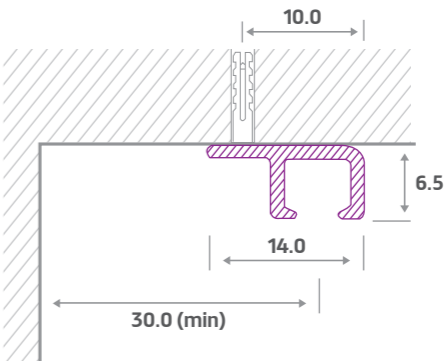
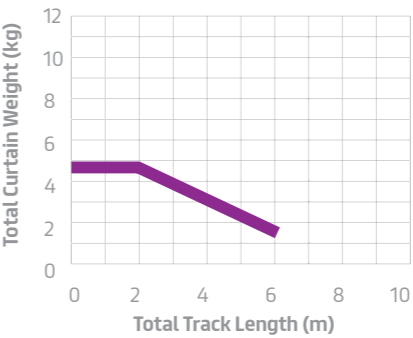
Benefits:
As an exceptionally low profile track, this track can be used for almost every lightweight screening application. With its 125mm centre pre-drilled nature, it requires no fixing brackets, and lends itself to being hidden away from view should such be required. Widely used in motor vehicles, caravans, boats and aircraft.

Options:
Available in any RAL colour of your choice.

Specification:
The YewdaleVitesse® 5000W hand drawn curtain track as manufactured by Yewdale, +44 (0)1268 570900. Slim, top-fix aluminium track with white powder-coated finish. Complete with end-stops, and gliders at 16 per metre.

Please refer to NBS Plus N10 230.

Curtain Weight Guide



5000W Specification Guide

Fixing Centres (Max.)	Bend Compatibility	Radius (Min.)	Arch Compatibility	Sync Glide Compatibility
300mm	X	n/a	X	X



see things differently



Section shown full size



5200W Hand Drawn

Features:

The YewdaleVitesse® 5200W hand drawn curtain track is a top-fix track as standard, available to be fitted by direct ceiling fixing or top-fix brackets. Its white rounded aluminium profile is designed for use with light to medium-weight curtains and net curtains. Gliders are supplied at a quantity of 16 per linear metre.

Benefits:

A smooth and attractive hand drawn track that can be bent to shape as required. The profile is pre-drilled at 200mm centres for ease of fixing or fixed with separate top-fix brackets. This track can be used for many light to medium-weight screening applications due to its rounded profiling.

Options:

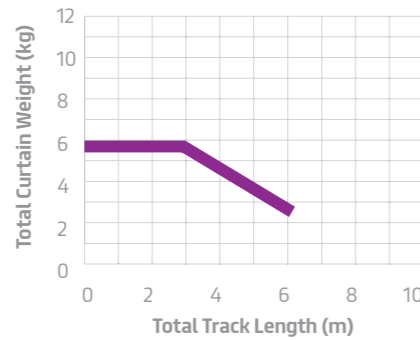
Can be bent. Available in any RAL colour of your choice.

Specification:

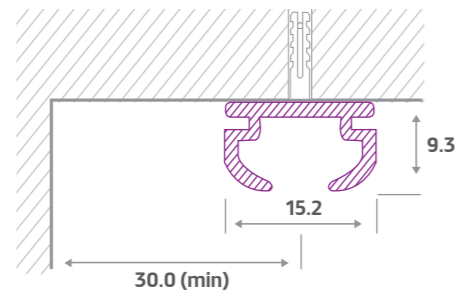
The YewdaleVitesse® 5200W hand drawn curtain track as manufactured by Yewdale, +44 (0)1268 570900. Rounded, top-fix aluminium track with white powder-coated finish. Complete with end-stops, and gliders at 16 per metre.

Please refer to NBS Plus N10 230.

Curtain Weight Guide



5201W glider

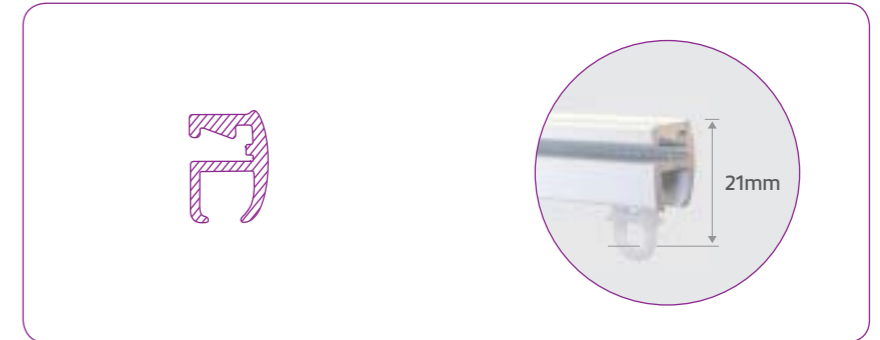


5200W Specification Guide

Fixing Centres (Max.)	Bend Compatibility	Radius (Min.)	Arch Compatibility	Sync Glide Compatibility
400mm	✓	80mm	X	✓



Section shown full size



5400W Hand Drawn

Features:

The YewdaleVitesse® 5400W curtain track is hand drawn and of aluminium construction as standard. Its white aluminium profile has been developed to support lightweight curtains and net curtains. Gliders are supplied at a quantity of 16 per linear metre.

Benefits:

Featuring a neat, contemporary profile, this 5400W track is able to blend in effortlessly into the simplest of surroundings yet still able to make a statement of its own right if required. A smooth and attractive hand drawn track that can be bent to shape as required, and can be fixed with face-fix or top-fix brackets for a host of mounting requirements.

Options:

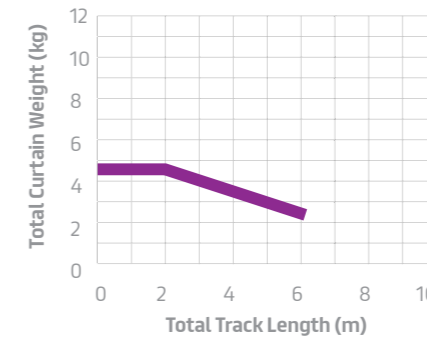
Can be bent. Available in any RAL colour of your choice.

Specification:

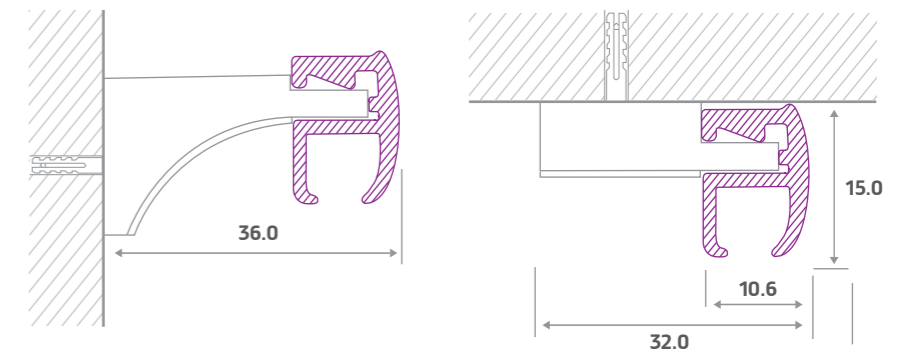
The YewdaleVitesse® 5400W hand drawn curtain track as manufactured by Yewdale, +44 (0)1268 570900. Aluminium track with white powder-coated finish, fixed with face/ top-fix brackets as applicable. Complete with end-stops, and gliders at 16 per metre.

Please refer to NBS Plus N10 230.

Curtain Weight Guide



5001W glider

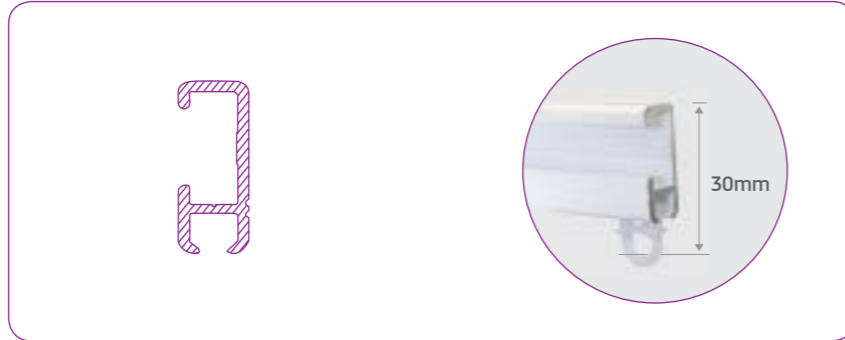


5400W Specification Guide

Fixing Centres (Max.)	Bend Compatibility	Radius (Min.)	Arch Compatibility	Sync Glide Compatibility
500mm	✓	100cm	X	X



Section shown full size



5600W Hand Drawn

Features:
The YewdaleVitesse® 5600W curtain track is hand drawn as standard. Its slim yet robust aluminium profile is designed to be used with medium-weight curtains, and in both face and top-fix applications. Gliders are supplied at a quantity of 16 per linear metre.

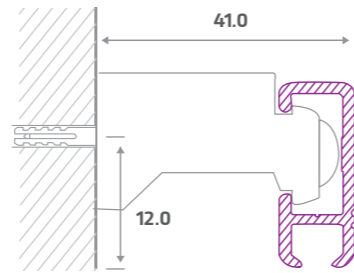
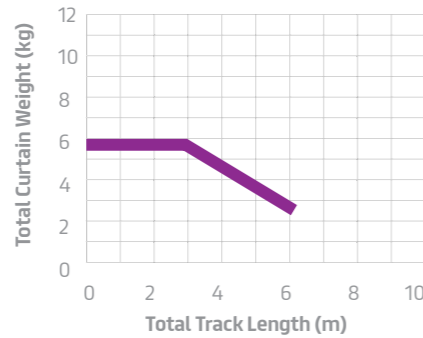
Benefits:
Featuring a very slim profile, the attractive nature of this 5600W track lends itself to both domestic and contract environments. Suitable to be bent to your choice of shape as required, and can be fixed with face-fix or top-fix brackets for a host of mounting requirements. May be used with deep curtain headings.

Options:
Can be bent. Available in any RAL colour of your choice.

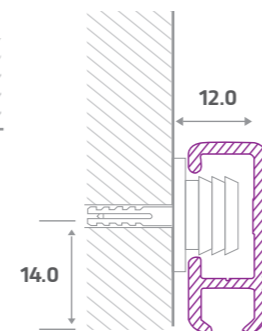
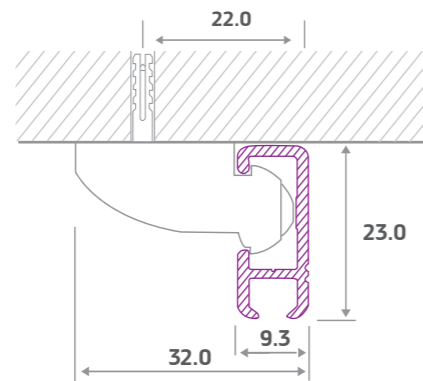
Specification:
The YewdaleVitesse® 5600W hand drawn curtain track as manufactured by Yewdale, +44 (0)1268 570900. Linear aluminium track with white powder-coated finish, fixed with face/top-fix brackets as applicable. Complete with end-stops, and gliders at 16 per metre.

Please refer to NBS Plus N10 230.

Curtain Weight Guide



(Optional extension bracket - 80mm)



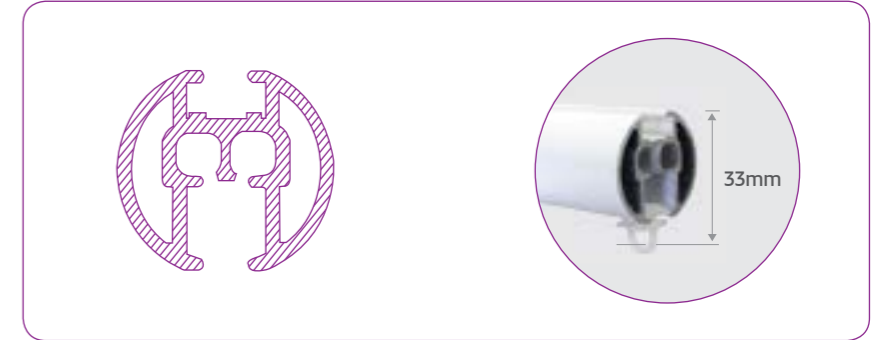
5001W glider

5600W Specification Guide

Fixing Centres (Max.)	Bend Compatibility	Radius (Min.)	Arch Compatibility	Sync Glide Compatibility
600mm	✓	120mm	X	X



Section shown full size



5800W Hand Drawn

Features:
The YewdaleVitesse® 5800W curtain track is hand operated as standard. Its white aluminium profile is designed to be used with medium-weight curtains. Gliders supplied at a quantity of 16 per linear metre.

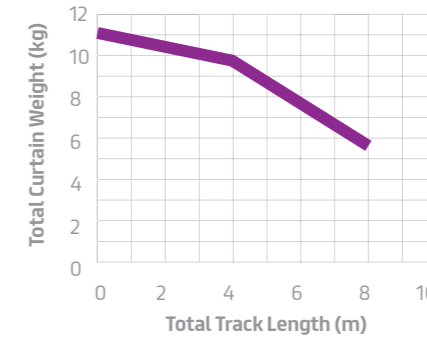
Benefits:
The strong aluminium profile of this 5800W track makes it a popular choice for contractors requiring a confident system to depend on. It can be face and top-fixed or suspended from hanger rods should the need arise. A smooth and attractive hand drawn track that can be bent to shape as required.

Options:
Can be bent. Available in any RAL colour of your choice.

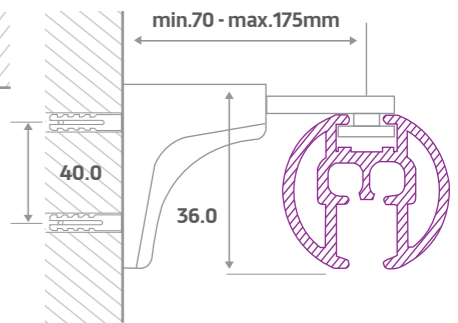
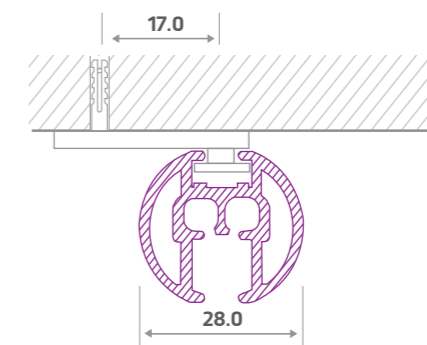
Specification:
The YewdaleVitesse® 5800W hand drawn curtain track as manufactured by Yewdale, +44 (0)1268 570900. Strong aluminium track with white powder-coated finish, fixed with face/top-fix brackets as applicable. Complete with end-stops, and gliders at 16 per metre.

Please refer to NBS Plus N10 230.

Curtain Weight Guide



5201W glider



5800W Specification Guide

Fixing Centres (Max.)	Bend Compatibility	Radius (Min.)	Arch Compatibility	Sync Glide Compatibility
800mm	✓	255mm	X	✓



Section shown full size



6200W Hand Drawn

Features:
The YewdaleVitesse® 6200W curtain track is hand operated as standard. Its white aluminium profile is designed to be used with medium to heavy-weight curtains. Low friction roller runners are supplied at a quantity of 16 per linear metre.

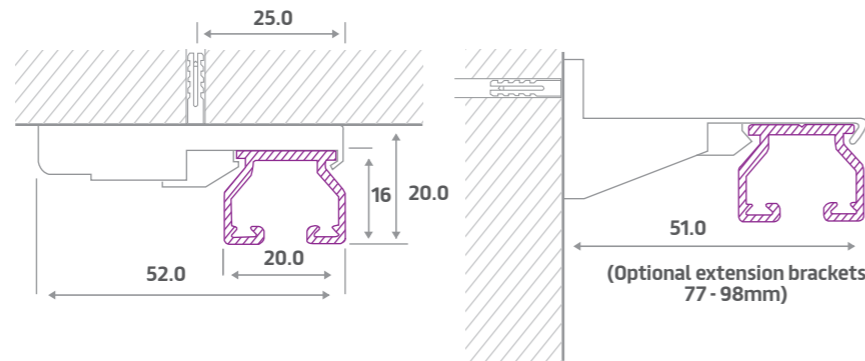
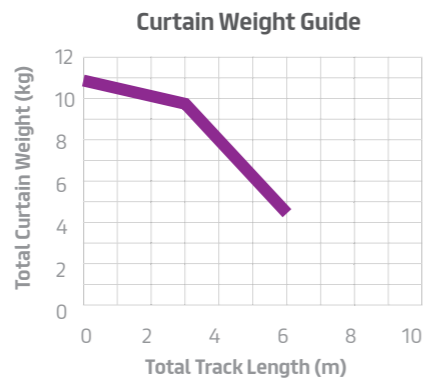
Benefits:
The robust aluminium profile of this 6200W track makes it a popular choice for contractors requiring a confident system to depend on for medium to heavy curtains. It can be face and top-fixed, both by strong steel bracketry. A smooth and attractive hand drawn track that can be bent to shape as required.

Approved to work with the YewdaleKestrel® Anti-Ligature system.

Options:
Can be bent. Available in any RAL colour of your choice. Approved to work with YewdaleKestrel® anti-ligature system.

Specification:
The YewdaleVitesse® 6200W hand drawn curtain track as manufactured by Yewdale, +44 (0)1268 570900. Very sturdy aluminium track with white powder-coated finish, fixed with face/top-fix brackets as applicable. Complete with end-stops, and low friction roller runners at 16 per metre.

Please refer to NBS Plus N10 230.

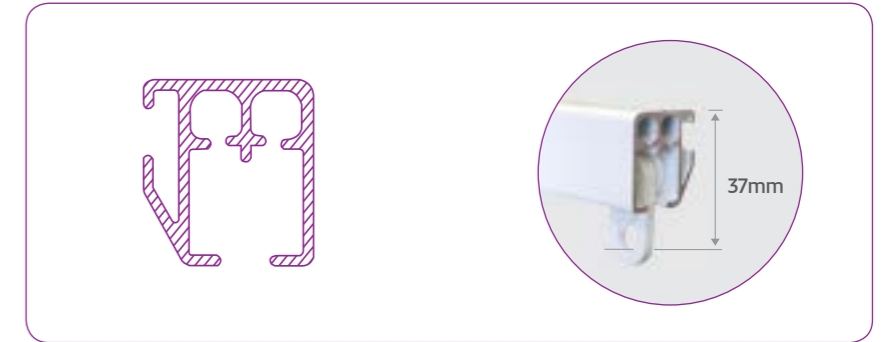


6200W Specification Guide

Fixing Centres (Max.)	Bend Compatibility	Radius (Min.)	Arch Compatibility	Sync Glide Compatibility
800mm	✓	175mm	X	X



Section shown full size



6400W Hand Drawn

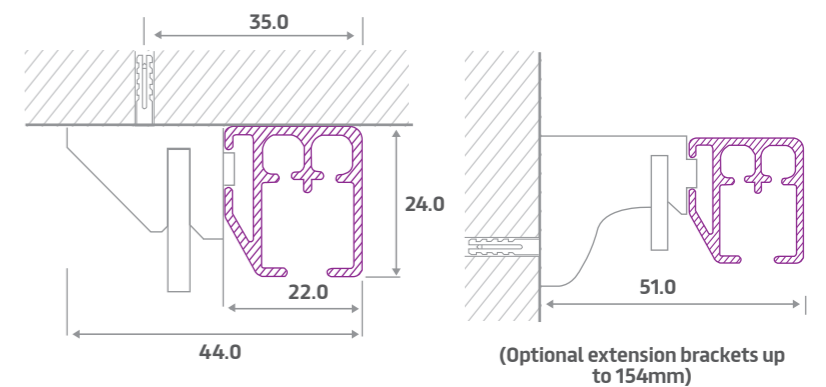
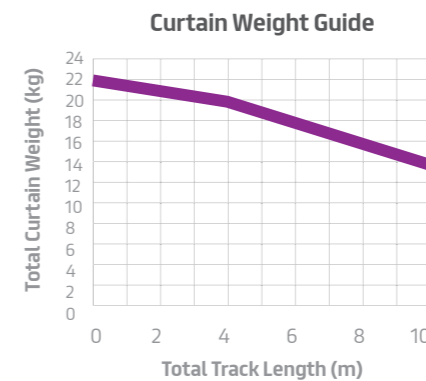
Features:
The YewdaleVitesse® 6400W curtain track is hand operated as standard. Its heavy-duty, white aluminium profile is designed to be used with large or heavy curtains. Accommodates heavy duty roller runners at 12 per linear metre.

Benefits:
The heavy duty aluminium profile of this 6400W track makes it a popular for both high-end domestic and contract applications. It can be face and top-fixed. A smooth-running, reliable hand drawn track that can be bent to shape as required.

Options:
Can be bent. Available in any RAL colour of your choice.

Specification:
The YewdaleVitesse® 6400W hand drawn curtain track as manufactured by Yewdale, +44 (0)1268 570900. Heavy duty aluminium track with white powder-coated finish, fixed with face/top-fix brackets as applicable. Complete with end-stops, and heavy duty roller runners at 12 per metre.

Please refer to NBS Plus N10 230.



6400W Specification Guide

Fixing Centres (Max.)	Bend Compatibility	Radius (Min.)	Arch Compatibility	Sync Glide Compatibility
600mm	✓	255mm	X	✓



Section shown full size



6700W Hand Drawn

Features:
The YewdaleVitesse® 6700W curtain track is hand operated as standard. Its white aluminium profile is designed to be used with large stage curtains. Heavy duty roller runners complete the offering at a quantity of 12 per linear metre.

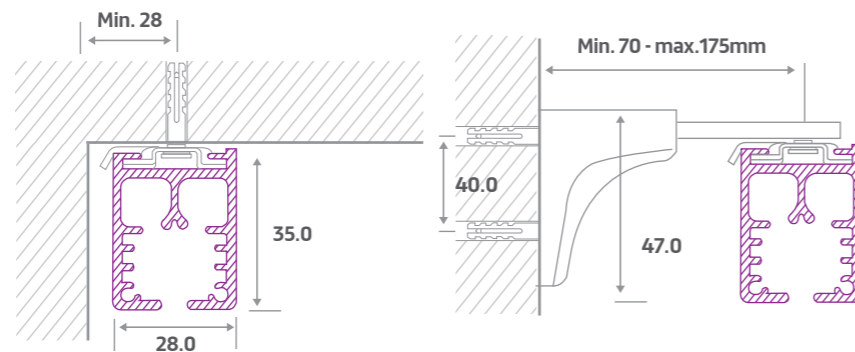
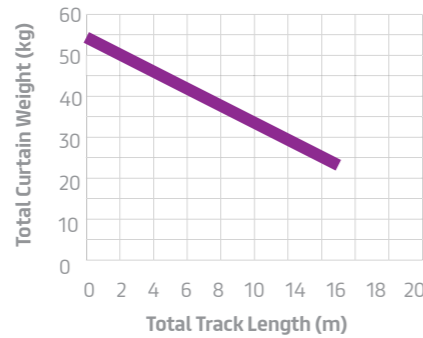
Benefits:
The exceptionally heavy duty aluminium construction of this 6700W track has proved ideal for stage curtains for auditoria and lecture theatres. It is usually fixed securely in position by top-fix method as standard providing reassuring support however alternative brackets are available as required. A smooth and attractive hand drawn track that can be bent to shape as required. Complete with hassle-free heavy duty roller runners.

Options:
Can be bent. Available in any RAL colour of your choice.

Specification:
The YewdaleVitesse® 6700W hand drawn curtain track as manufactured by Yewdale, +44 (0)1268 570900. Heavy duty aluminium track with white powder-coated finish, fixed with face/top-fix brackets as applicable. Complete with end-stops, and hassle-free heavy duty roller runners at 12 per metre.

Please refer to NBS Plus N10 230.

Curtain Weight Guide

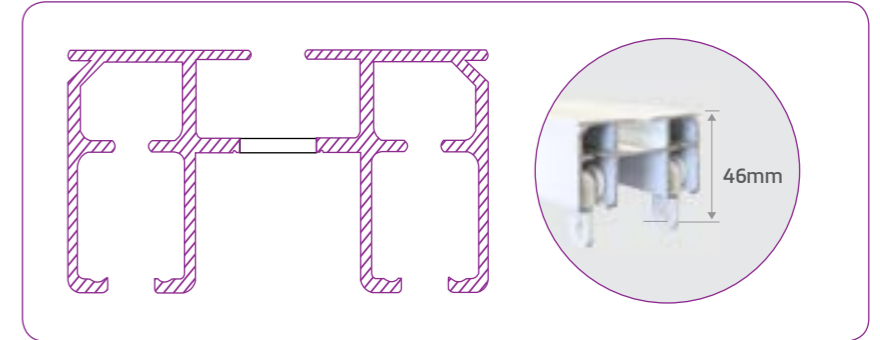


6700W Specification Guide

Fixing Centres (Max.)	Bend Compatibility	Radius (Min.)	Arch Compatibility	Sync Glide Compatibility
800mm	✓	255mm	X	✓



Section shown full size



6800W Hand Drawn

Features:
The YewdaleVitesse® 6800W curtain track is hand operated as standard. Its white aluminium, double channel profile is designed to be used with very large / heavy stage curtains. Heavy duty roller runners at 12 per linear metre complete this heavy duty solution.

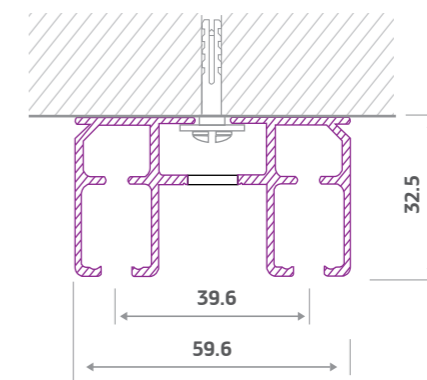
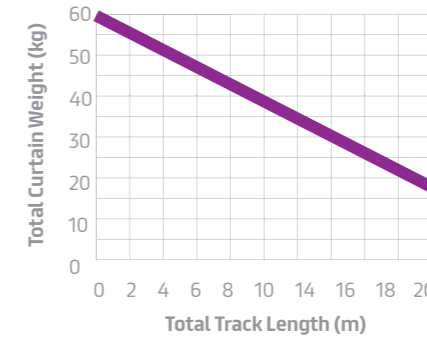
Benefits:
The exceptionally heavy duty aluminium construction of this 6800W track has proved ideal for stage curtains for auditoria and lecture theatres. Although it is usually fixed out of sight and secured in position by top-fix method, it is still a stylish modern profile with clean aesthetics. A very strong curtain track and complete with hassle-free heavy duty roller runners.

Options:
Available in any RAL colour of your choice.

Specification:
The YewdaleVitesse® 6800W hand drawn curtain track as manufactured by Yewdale, +44 (0)1268 570900. Heavy duty, double channel aluminium track with white powder-coated finish, fixed by top-fix application. Complete with end-stops, and hassle-free heavy duty roller runners at 12 per metre.

Please refer to NBS Plus N10 230.

Curtain Weight Guide



6800W Specification Guide

Fixing Centres (Max.)	Bend Compatibility	Radius (Min.)	Arch Compatibility	Sync Glide Compatibility
800mm	X	n/a	X	✓



YewdaleVitesse® Cord Drawn Curtain Tracks

The cord drawn tracks shown here are designed to be strong and reliable, and will give years of trouble-free use. They are all manufactured from aluminium, with high-grade plastic components, and are available with a choice of sturdy and unobtrusive brackets.

YewdaleVitesse® curtain tracks are available in fully made to measure form - completely ready for installing, or in a comprehensive individual component form - for ease of use within any in-house manufacturing facility. The full range is distributed globally through a network of dealers and customers providing an unrivalled level of support, and with experienced installation and service teams to exceed your expectations.

7000W Cord Drawn	15
7400W Cord Drawn	16
7600W Cord Drawn	17
7700W Cord Drawn	18
7800W Cord Drawn	19

YewdaleVitesse® cord drawn curtain tracks are widely specified where a touch of luxury is required, or where ease of use is a primary consideration. Their smooth, quiet operation and elegant appearance make them at home in the most demanding environments. When selecting a track, window size, curtain weight, usage intensity, fixing requirements and aesthetics should all be assessed, allowing the most appropriate track to be specified. The details on these pages will enable an informed choice to be made, thus ensuring that YewdaleVitesse® cord drawn curtain tracks will give optimum performance and lasting satisfaction.



this curtain track range comes with a full Lifetime Warranty as standard.



Section shown full size



7000W Cord Drawn

Features:

The YewdaleVitesse® 7000W cord drawn curtain track is a top-fix track as standard. Its slim white aluminium track, with a neat and unobtrusive design, is designed for use with light to medium-weight curtains. Self-lubricating polyethylene gliders are supplied at a quantity of 16 per linear metre.

Benefits:

As an exceptionally low profile track, this white aluminium track can be used for almost every lightweight screening application requiring cord drawn operation. With its 250mm centre pre-drilled nature, it requires no fixing brackets although top-fix click brackets are available and lends itself to arched requirements. This track boasts the smallest possible dimensions for a corded track and lends itself to being hidden away from view should such be required.

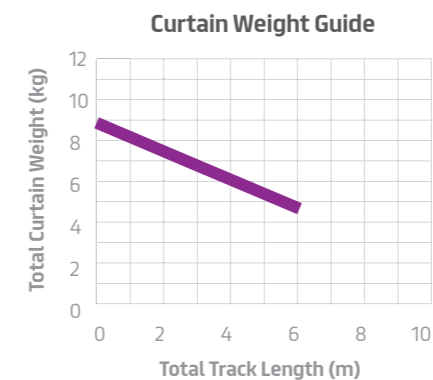
Options:

Can be arched. Available in any RAL colour of your choice.

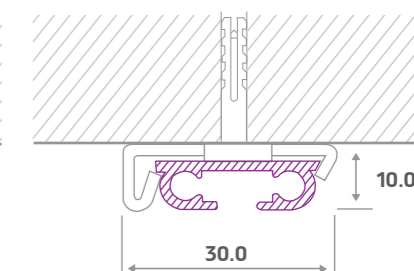
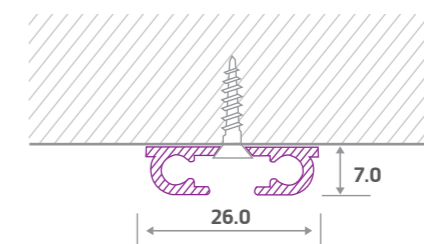
Specification:

The YewdaleVitesse® 7000W cord drawn curtain track as manufactured by Yewdale, +44 (0)1268 570900. Ultra slim, top-fix aluminium track with white powder-coated finish and click brackets as applicable. Complete with end-pulleys, operating cord, and self-lubricating gliders at 16 per metre.

Please refer to NBS Plus N10 230.



5201W glider

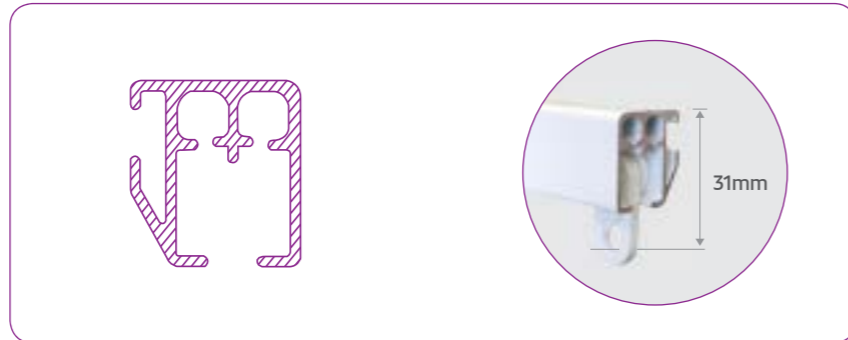


7000W Specification Guide

Fixing Centres (Max.)	Bend Compatibility	Radius (Min.)	Arch Compatibility	Sync Glide Compatibility
400mm	X	n/a	✓	X



Section shown full size



7400W Cord Drawn

Features:

The YewdaleVitesse® 7400W cord drawn curtain track can be top-fixed or face-fixed as standard. Its heavy duty white aluminium track, with a neat square design, is designed for use with large or heavy curtains. Heavy duty roller runners are supplied at a quantity of 12 per linear metre.

Benefits:

This heavy duty white aluminium track can be used for many large / heavy curtain applications, both commercial and domestic, requiring cord drawn operation. Suited for both top and face-fixing scenarios, including availability for use as a curved track, this best-selling cord drawn solution finds a home in a wide variety of environments.

Options:

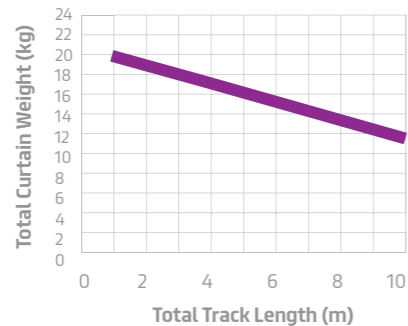
Can be bent. Available in any RAL colour of your choice.

Specification:

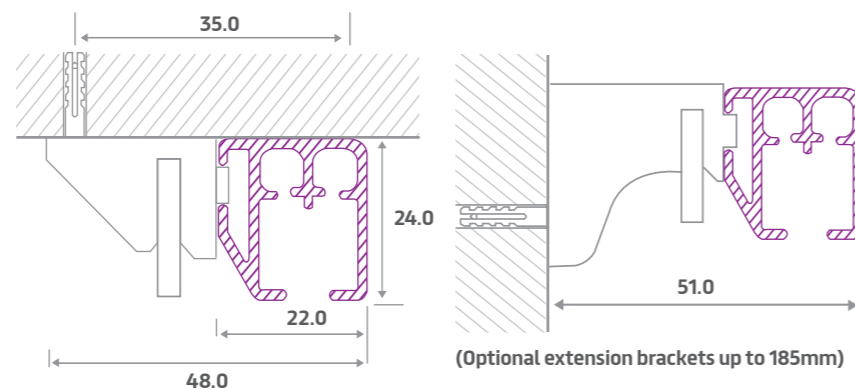
The YewdaleVitesse® 7400W cord drawn curtain track as manufactured by Yewdale, +44 (0)1268 570900. Heavy duty aluminium track with white powder-coated finish and top / face-fix brackets as applicable. Complete with end-pulleys, operating cord, and heavy duty roller runners at 12 per metre.

Please refer to NBS Plus N10 230.

Curtain Weight Guide



8502 roller runner

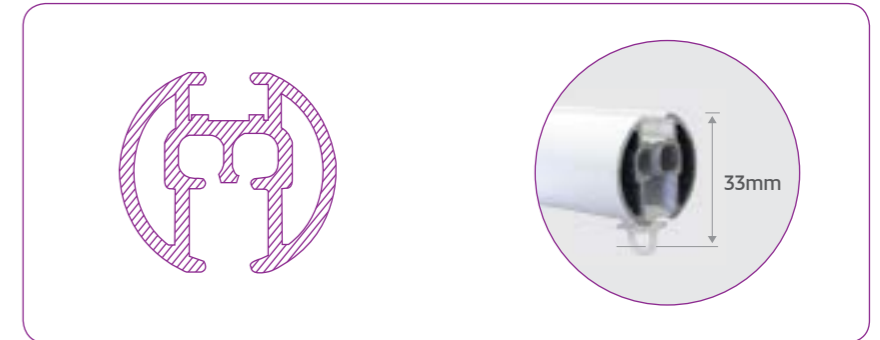


7400W Specification Guide

Fixing Centres (Max.)	Bend Compatibility	Radius (Min.)	Arch Compatibility	Sync Glide Compatibility
600mm	✓	255mm	X	✓



Section shown full size



7600W Cord Drawn

Features:

The YewdaleVitesse® 7600W cord drawn curtain track can be top-fixed or face-fixed as standard. Its stylish, round white aluminium track is designed to be used with medium to large curtains. Self-lubricating polyethylene gliders are supplied at a quantity of 16 per linear metre.

Benefits:

The modern profile of this round white aluminium track can be used for many contract and domestic environments requiring cord drawn operation. Suited for both top and face-fixing scenarios, including availability for use as a curved track, this stylish cord drawn solution offers a neat alternative to standard square profiled options.

Options:

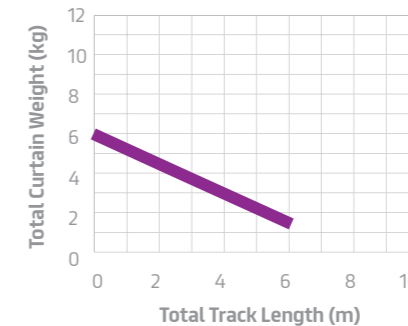
Can be bent. Available in any RAL colour of your choice.

Specification:

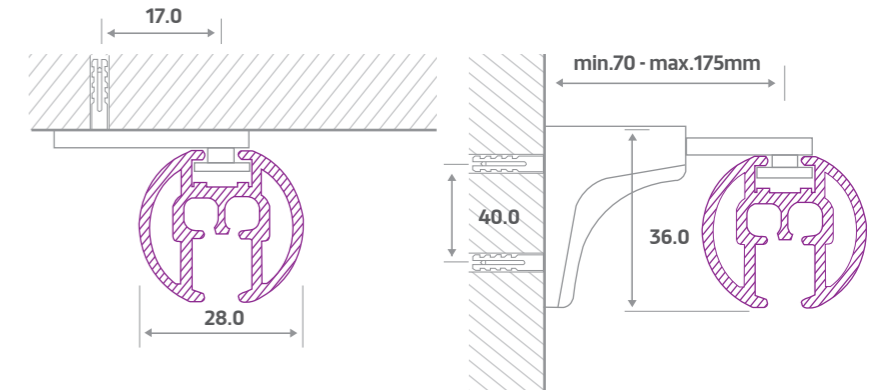
The YewdaleVitesse® 7600W cord drawn curtain track as manufactured by Yewdale, +44 (0)1268 570900. Round aluminium track with white powder-coated finish and top / face-fix brackets as applicable. Complete with end-pulleys, operating cord, and gliders at 16 per metre.

Please refer to NBS Plus N10 230.

Curtain Weight Guide



5201W glider



7600W Specification Guide

Fixing Centres (Max.)	Bend Compatibility	Radius (Min.)	Arch Compatibility	Sync Glide Compatibility
800mm	✓	255mm	X	✓



Section shown full size



7700W Cord Drawn

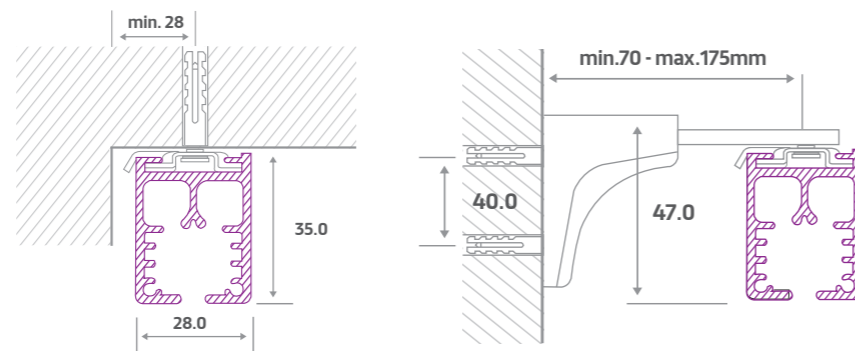
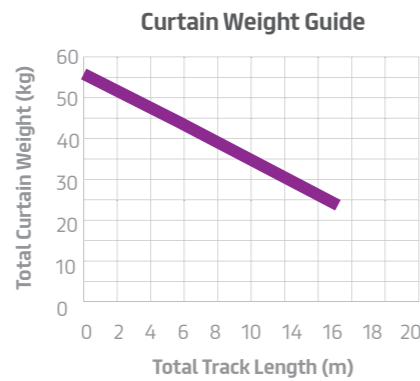
Features:
The YewdaleVitesse® 7700W cord drawn curtain track is a top-fix track as standard. Its heavy duty white aluminium track is designed for use with large or heavy curtains. Heavy duty roller runners are supplied at a quantity of 12 per linear metre.

Benefits:
This heavy duty white aluminium track can be used for most large / heavy curtain applications, both commercial and domestic, requiring cord drawn operation. Although best suited for top-fix mounting, this heavy duty system track is designed for large curtain spans in both top and face-fix scenarios. Perfectly suited to bespoke curved opportunities and operated by a positive pre-tensioned cord arrangement, and used regularly in lecture theatres and large stage areas, you will find that this system is an answer to all your similar requirements.

Options:
Face-fix brackets available. Can be bent. Available in any RAL colour of your choice.

Specification:
The YewdaleVitesse® 7700W cord drawn curtain track as manufactured by Yewdale, +44 (0)1268 570900. Heavy duty aluminium track with white powder-coated finish and top / face-fix brackets as applicable. Complete with end-pulleys, pre-tensioned operating cord, and heavy duty roller runners at 12 per metre.

Please refer to NBS Plus N10 230.

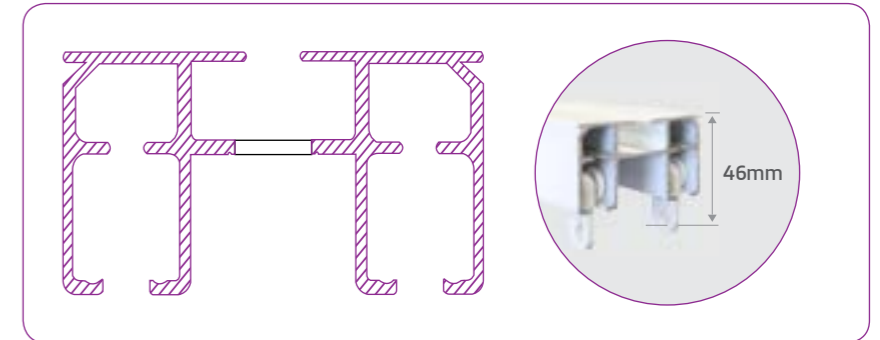


7700W Specification Guide

Fixing Centres (Max.)	Bend Compatibility	Radius (Min.)	Arch Compatibility	Sync Glide Compatibility
800mm	✓	255mm	X	✓



Section shown full size



7800W Cord Drawn

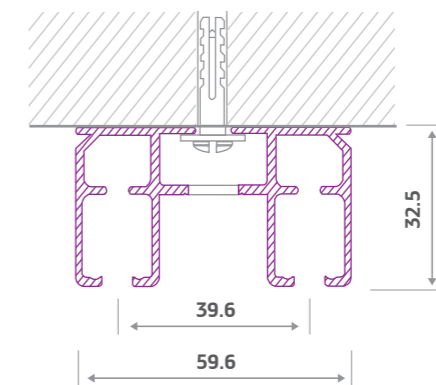
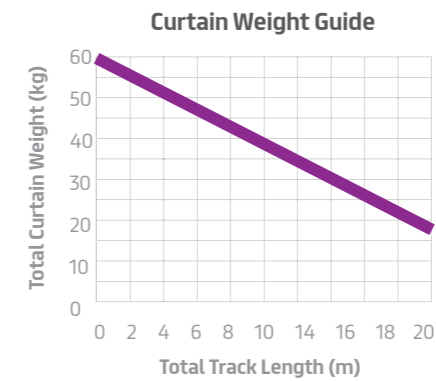
Features:
The YewdaleVitesse® 7800W cord drawn curtain track is a direct top-fix track as standard. Its heavy duty, double channel white aluminium track is designed for use with both large and heavy curtains, across large spans. Heavy duty roller runners are supplied at a quantity of 12 per linear metre.

Benefits:
This is the ultimate solution in the cord drawn track sector. Mounted directly through the track by top-fix method, this exceptionally heavy duty, double channelled white aluminium track has been developed to offer a hassle-free cord drawn solution to joint large, heavy curtains across wide open spaces. Suitable for both commercial and domestic environments due to its modest profile, and operated by a positive pre-tensioned cord arrangement, we challenge you to find better system with similar properties!

Options:
Available in any RAL colour of your choice.

Specification:
The YewdaleVitesse® 7800W cord drawn curtain track as manufactured by Yewdale, +44 (0)1268 570900. Heavy duty, double channelled aluminium track with white powder-coated finish for direct top-fix mounting application. Complete with end-pulleys, pre-tensioned operating cord, and heavy duty roller runners at 12 per metre.

Please refer to NBS Plus N10 230.



7800W Specification Guide

Fixing Centres (Max.)	Bend Compatibility	Radius (Min.)	Arch Compatibility	Sync Glide Compatibility
800mm	X	n/a	X	✓



YewdaleVitesse® Electric Curtain Tracks

YewdaleVitesse® electric tracks represent the ultimate in curtain control. Not only do they lend support to an ambience of success and luxury, they are also eminently practical.

At the touch of a button they will glide into action, smoothly, quietly, and with an effortless power that ensures lasting satisfaction. A large range of control systems are available, from a simple wall switch to radio remote handsets, or even complete integration into intelligent building control.

The electric track shown here is designed for strength and reliability, and will give years of trouble-free use. They are manufactured from aluminium, with high-grade plastic components and sturdy, unobtrusive brackets.

YewdaleVitesse® curtain tracks are available in fully made to measure form - completely ready for installing, or in a comprehensive individual component form - for ease of use within any in-house manufacturing facility. The full range is distributed globally through a network of dealers and customers providing an unrivalled level of support, and with experienced installation and service teams to exceed your expectations.

8500W Electric

21



this curtain track range comes with a full Lifetime Warranty as standard.



Section shown full size



8500W Electric

Features:

The YewdaleVitesse® 8500W electric curtain track can be top-fixed or face-fixed as standard. Its heavy duty white aluminium track, with a compact square design, is designed for use with large and heavy curtains. Heavy duty roller runners are supplied at a quantity of 12 per linear metre.

Benefits:

This robust white aluminium track, offering a low-cost motorisation opportunity with high curtain weight capacity and simple control mechanism, comes with a powerful 45 watt motor as standard. The complete solution is a combination of individual qualities - roller runners, for long-term, lubricant-free operation; heavy duty steel overlap, for light to heavy-weight use requirements; low noise belt and easy to set limit stops, for subtle and efficient home / office automation - to name a few. Couple these benefits with the capacity for it to be curved into a bespoke shape track, this popular solution provides you with a simple, yet reliable, built-in package.

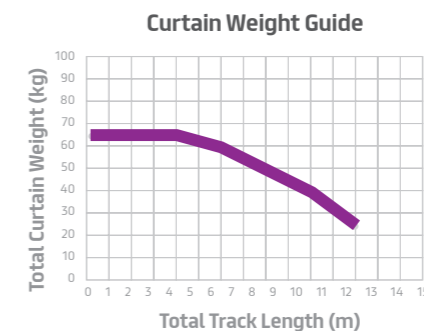
Options:

Can be bent. Available in any RAL colour of your choice. Radio remote and group control options available.

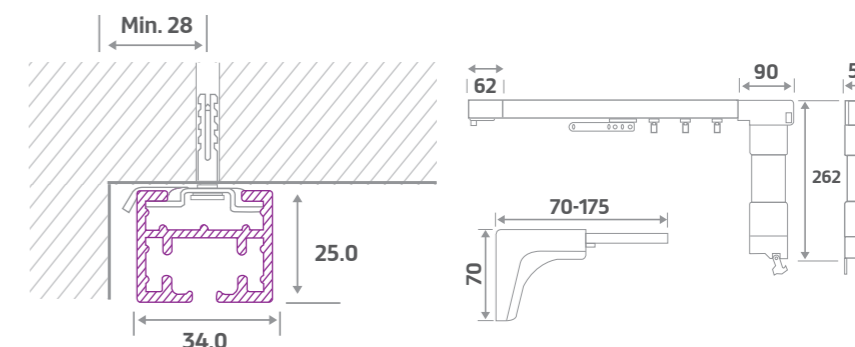
Specification:

The YewdaleVitesse® 8500W-45 electric curtain track as manufactured by Yewdale, +44 (0)1268 570900. Heavy duty aluminium track with white powder-coated finish, top-fix turning key operation / face-fix brackets as applicable and robust 45w 240v AC motor. Complete with heavy duty roller runners at 12 per metre.

Please refer to NBS Plus N10 230.



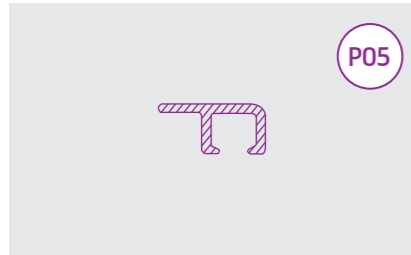
8582 roller runner



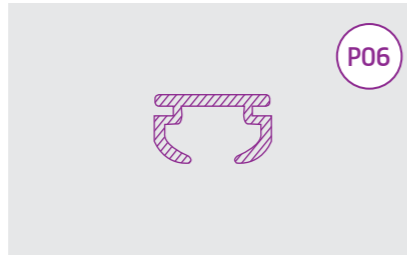
8500W Specification Guide

Fixing Centres (Max.)	Bend Compatibility	Radius (Min.)	Arch Compatibility	Sync Glide Compatibility
600mm	✓	255mm	X	✓

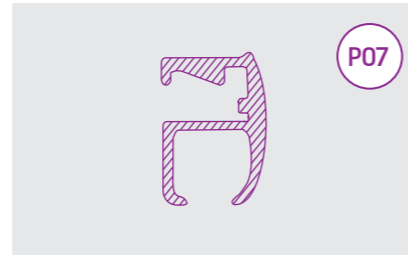
5000W - Hand Drawn



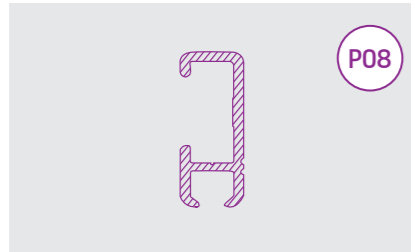
5200W - Hand Drawn



5400W - Hand Drawn



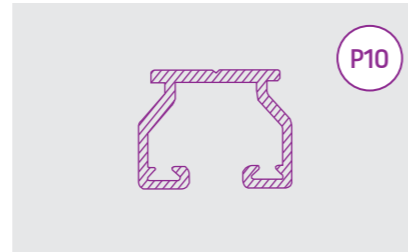
5600W - Hand Drawn



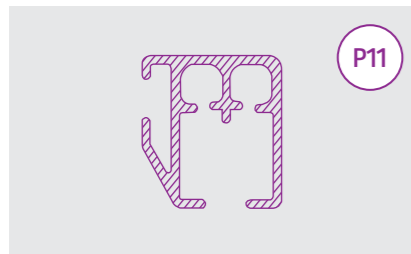
5800W - Hand Drawn



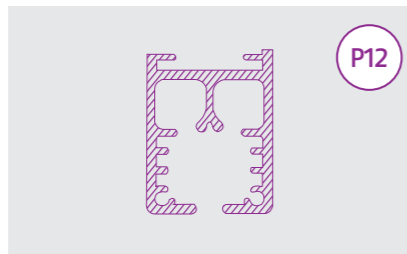
6200W - Hand Drawn



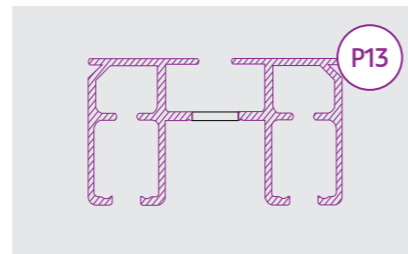
6400W - Hand Drawn



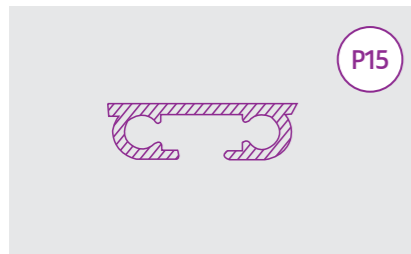
6700W - Hand Drawn



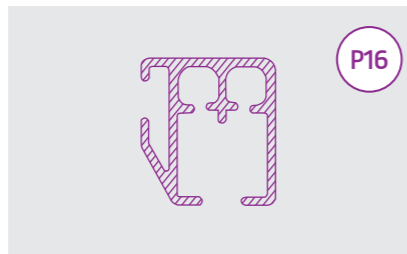
6800W - Hand Drawn



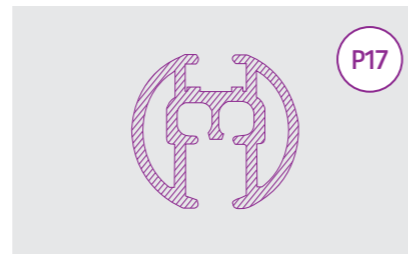
7000W - Cord Drawn



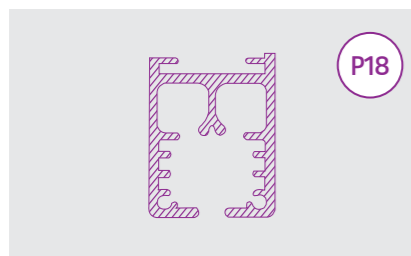
7400W - Cord Drawn



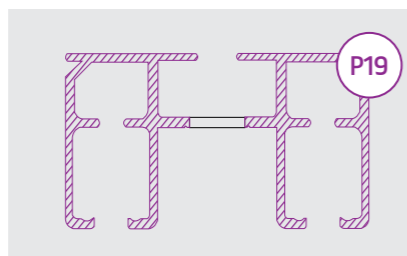
7600W - Cord Drawn



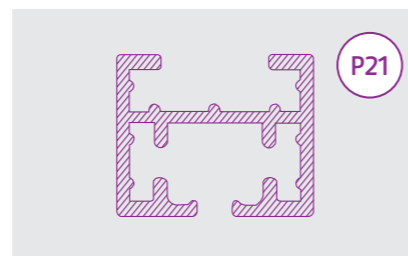
7700W - Cord Drawn



7800W - Cord Drawn



8500W - Electric



Please note profiles shown are as a guide and may not be full size. For full size drawings please see profile page.



For your FREE samples contact our customer care team today

yewdale Vitesse your track to success

A concise approach to a broad spectrum of commercial curtain track requirements with simplistic control options and designed for almost every application.

CI/SIB 1976 reference by SIB Agency		
(76.7)	X	



Yewdale, Enterprise Way,
 Wickford, Essex SS11 8DH
Call +44 (0)1268 570900
Fax +44 (0)1268 732509
Email sales@yewdale.co.uk
Visit yewdale.co.uk

For more information on all Yewdale products, please call the sales department.



REV. 2.06



yewdale **Defiant**[®]
 FABRIC AND BLIND SYSTEMS



yewdale **Kestrel**[®]
 MAGNETIC ANTI-LIGATURE SYSTEM



yewdale **Movatrack**[®]
 CUBICLE AND TRACK SYSTEMS



yewdale **Harrier**[®]
 CUBICLE AND SHOWER CURTAINS



yewdale **Vitesse**[®]
 CURTAIN TRACK SYSTEMS