

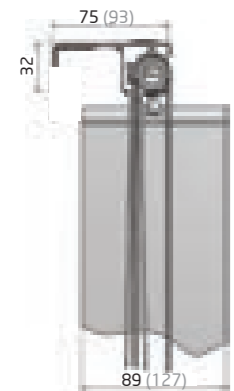
Slimline® Bracket Dimensions

Key
89mm Louvre Dimensions
127mm Louvre Dimensions

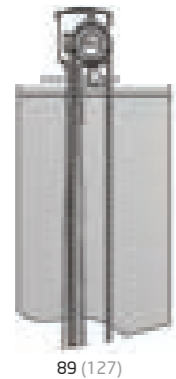
Face Fix Brackets



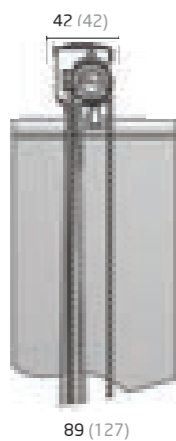
Shallow Frame Face Fix Brackets



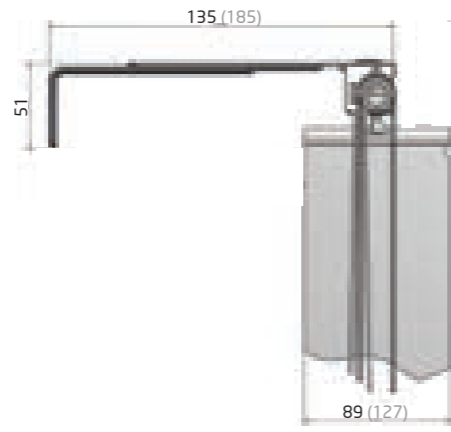
Top Fix Brackets (screw)



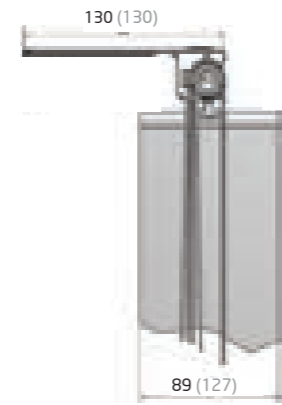
Top Fix Brackets (spring)



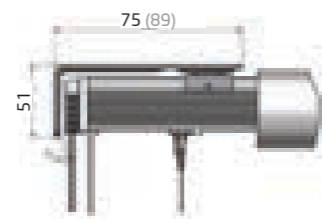
Adjustable Face Fix Brackets



Extension Top Fix Brackets



Side Fix Brackets



Pelmet Brackets



ARCHITECTS | SPECIFIERS | CONTRACTORS



Louvolite Slimline® Vertical Blind System

- Unobtrusive, versatile, robust and reliable vertical blind system, designed to last many years
- Made using quality materials such as stainless steel and aluminium with corrosion resistant finishes
- British manufactured to the highest standards for over 25 years
- 10 year life cycle tested
- Tracks are supplied up to 5000mm wide (16'3") for wider window frames
- UV Stabilised prime plastics used to guard against ultra violet degradation.
- Direct drive tilt operation for positive control when opening and closing the blinds
- Self-aligning carrier trucks have limit stops allowing the louvre to rotate to 185°
- Spacing controlled by stainless steel spacer links for extra durability



LOUVOLITE

CISIB 1976 reference by SIB Agency		
(76.7)	X	

Hardware Specification

Louvolite Slimline® Vertical Blind System

Vertical Blinds should be manufactured using the Louvolite Slimline® System with aluminium headrail 29mm x 28mm and include Louvolite carrier trucks with UV stabilised self-aligning peg hooks. The operating chain should be No 6 size metal to ensure reliable performance. The brackets used should be made from mild steel, zinc plated and powder coated and be suitable for top or face fixing.

The material used for the vertical louvre will be creased and punched so that a Louvolite UV stabilised hanger – also with a hole – can be stitched or welded into the top of the louvre.

General applications

Vertical blinds incorporating the Slimline® headrail system provides a contemporary and extremely practical commercial installation and are available from approved manufacturers worldwide. It is a robust and reliable system that has been specified for over 25 years.

The system is easily fitted and provides an extremely efficient method of light control. A large range of attractive flame retardant fabrics, and some featuring anti-glare SPC® and blackout coatings make these blinds the ideal choice for projects large or small. The fabrics are designed specifically for window blinds.

Headrail

The Slimline® aluminium headrail extrusion is made from prime aluminium and is available in white and brown powder coated or silver anodised, which makes it corrosion resistant.

Brackets are zinc plated or powder coated and manufactured with a strengthening crease for increased strength and safety.

Carrier Trucks

To ensure a positive and smooth operation within the manufactured using prime quality plastic materials. This also provides durability and protection from embrittlement and UV rays.

The gears in the carrier trucks that rotate the louvres are self-aligning with limit stops. This allows louvre rotation to 185°, which ensures an efficient closure without strain on the mechanism.

The spacing between the carrier trucks is controlled by high-grade stainless steel spacer links. The standard spacing is either 77mm for 89mm louvres or 115mm for 127mm louvres, although alternative spacing options are available.

UV stabilised louvre hangers are manufactured using Nylon No. 6 plastic.

Operation

Operation is by either No 6 size chain or a tilt and draw wand control.

Slimline® tracks are smooth running and robust. The components are made in aluminium, prime plastic or stainless steel.

The design of the components minimises damage caused by operator misuse.

All blinds must be compliant with the child safety elements of BS EN13120.

Where children maybe present, the chain must be fitted with easybreak connectors or cord tidy devices.



Maintenance

All of the Slimline® components are manufactured using aluminium, plastic or stainless steel. They do not present any corrosion problems in normal environments.

The system has been designed for a smooth operation, together with a rigidity to prolong the window blind's working life. However any damage which does occur can normally be rectified on site.

Louvres

Available as 89mm or 127mm width. All louvres are weighted and interlinked, front and back with ball and 'C' clip connectors.

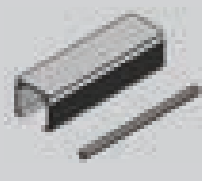
Your Slimline® Distributor:

Slimline® Components

Headrail Section

Slimline® Ribbed Headrail
Product specification
100% aluminium
Dimensions: 29mm (1 1/8") x 28mm (1 1/8")
Lengths: 5m (5.5 yard) maximum
Colour: white, brown or silver

Tilt Rod
Product specification
Aluminium



End Cap Sets

Slimline® End Caps
Product specification
Nylon
Dimensions: 38.5mm (1 1/16") x 27.34mm (1 1/8")
Colour: white, brown or grey

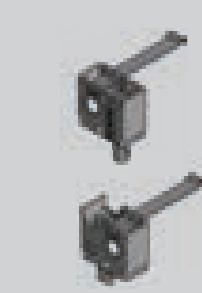


Carrier Trucks

Spade Hook, self-aligning,
89mm or 127mm
For use with stainless steel spacer links

Spade Hook, fixed gear, 89mm or 127mm
For use with stainless steel spacer links


Product specification
Truck body: nylon, link: stainless steel
Dimensions: 24mm x 32mm x 12mm
Colour: white, brown or grey



Chain

Available in nickel plated brass, stainless steel or plastic. The pitch of the operating chain is designed to provide a smooth and silent operation. Available in a variety of colours, each chain system has a variety of connector units to allow for child safe operation where required.

Product specification
Acetal ball - colour: white or brown
Zinc plated - colour: silver or gold
Stainless steel
Easy break chain connector for child safety



Stabilising Chain with C Clip

Product specification
Plastic
Sizes: 89mm, 127mm and 50mm/63mm
Colour: white, black or beige

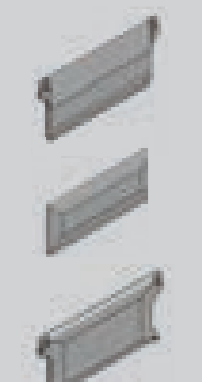


Louvre Ballast Weights

Ballast Weights, Moulded, Compact
89mm, 127mm
Product specification
Colour: white, beige or black

Ballast Weights, Moulded, Plain
89mm, 127mm
Product specification
Colour: white

Ballast Weights, Moulded, Standard
89mm, 127mm
Product specification
Colour: white or beige




Bracket Options

2 Brackets required for blinds up to 1 metre width,
1 further bracket required for every additional metre.

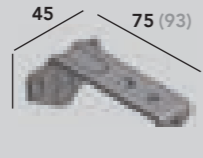
Face fix brackets, 89mm or 127mm
Product specification
Mild steel, zinc plated and powder coated
Colour: white, brown or silver

Dimensions: 20mm (3/4") x 51mm (2") x 75mm (3") for 89mm (3 1/2") louvres
20mm (3/4") x 51mm (2") x 93mm (3 1/2") for 127mm (5") louvres



Shallow frame face fix brackets, 89mm or 127mm
Product specification
Mild steel, zinc plated and powder coated
Colour: white, brown or silver

Dimensions: 45mm (1 1/2") x 32mm (1 1/4") x 75mm (3") for 89mm (3 1/2") louvres
45mm (1 1/2") x 32mm (1 1/4") x 93mm (3 1/2") for 127mm (5") louvres



Top fix brackets, screw
Product specification
Mild steel, zinc plated and powder coated
Colour: white, brown or silver

Dimensions: 25mm (1") x 10mm (3/8") x 32mm (1 1/4")



Top fix brackets, spring
Product specification
Mild steel, zinc plated and powder coated
Colour: white, brown or silver

Dimensions: 25mm (1") x 10mm (3/8") x 42mm (1 3/8")



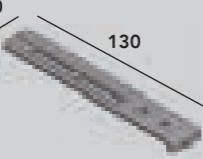
Adjustable face fix brackets, 135mm - 185mm or 170mm - 225mm
Product specification
Mild steel, zinc plated and powder coated
Colour: white, brown or silver

Dimensions: short arm 20mm (3/4") x 51mm (2") x 135 - 185mm (5 1/4" x 7 1/4"),
long arm 20mm (3/4") x 51mm (2") x 170 - 225mm (6 3/4" x 8 7/8")




Extension Top fix brackets
Product specification
Mild steel, zinc plated and powder coated
Colour: white, brown or silver

Dimensions: short arm 20mm (3/4") x 130mm (5 1/8") long arm 20mm (3/4") x 165mm (6 1/2")



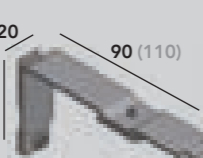
Side fix brackets, 89mm or 127mm
Product specification
Mild steel, zinc plated and powder coated
Colour: white, brown or silver

Dimensions: 20mm (3/4") x 51mm (2") x 75mm (3") for 89mm (3 1/2") louvres.
20mm (3/4") x 51mm (2") x 89mm (3 1/2") for 127mm (5") louvres



Pelmet brackets, 89mm or 127mm
Product specification
Colour: silver

Dimensions: 55mm (2 1/8") x 20mm (3/4") x 90mm (3 1/2") for 89mm (3 1/2") louvres.
55mm (2 1/8") x 20mm (3/4") x 110mm (4 2/8") for 127mm (5") louvres



Slimline® Monocommand®

Alternative wand control -
Child Safety Product
Product specification
Colour: white, grey or brown



Slimline® Monocommand® wand

Available in lengths:
800mm, 1200mm or 2000mm


Product specification
Painted Aluminium
Colour: white grey or brown



Cord Weights

Available in Standard 80g, Teardrop 76g


Product specification
Colour: white or light grey



Cord Tidy

Double Cord & Chain Tidy

Product specification
Colour: white or brown




Louvre Inserts

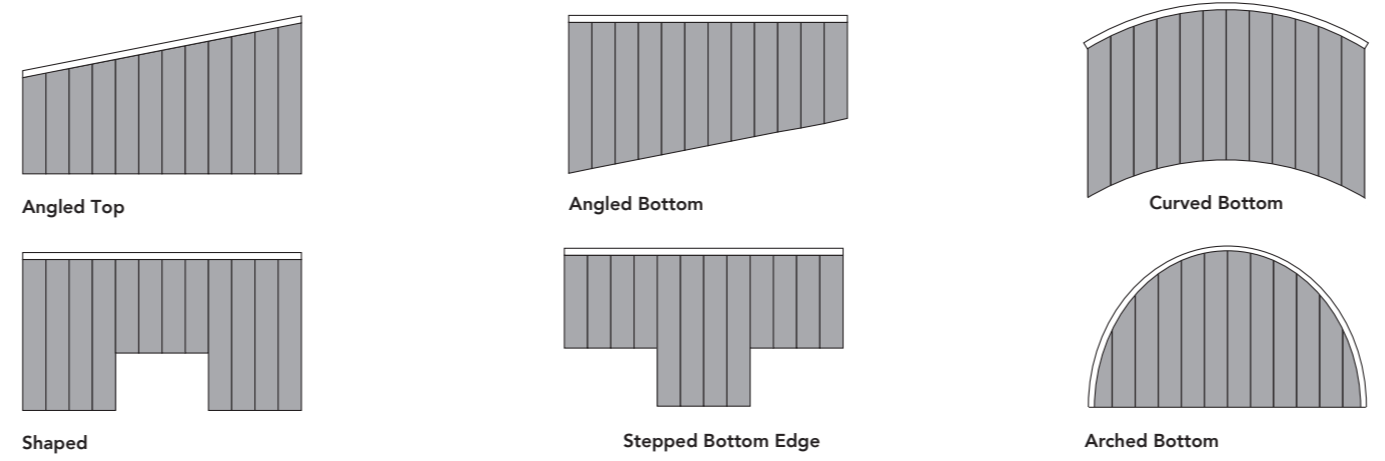
Single Slotted Hole, Plastic
50mm, 63mm, 89mm, 127mm: White
89mm, 127mm: Black

Double Slotted Hole, Plastic
89mm, 127mm

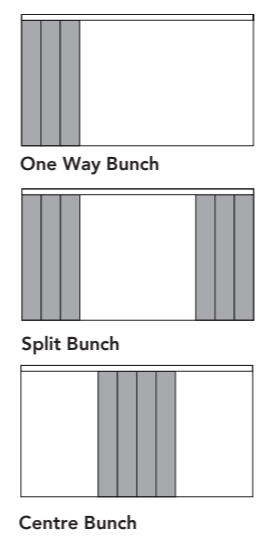
Product specification
Colour: white



Shaped Blind Options



Bunching Options and Stacking Distances

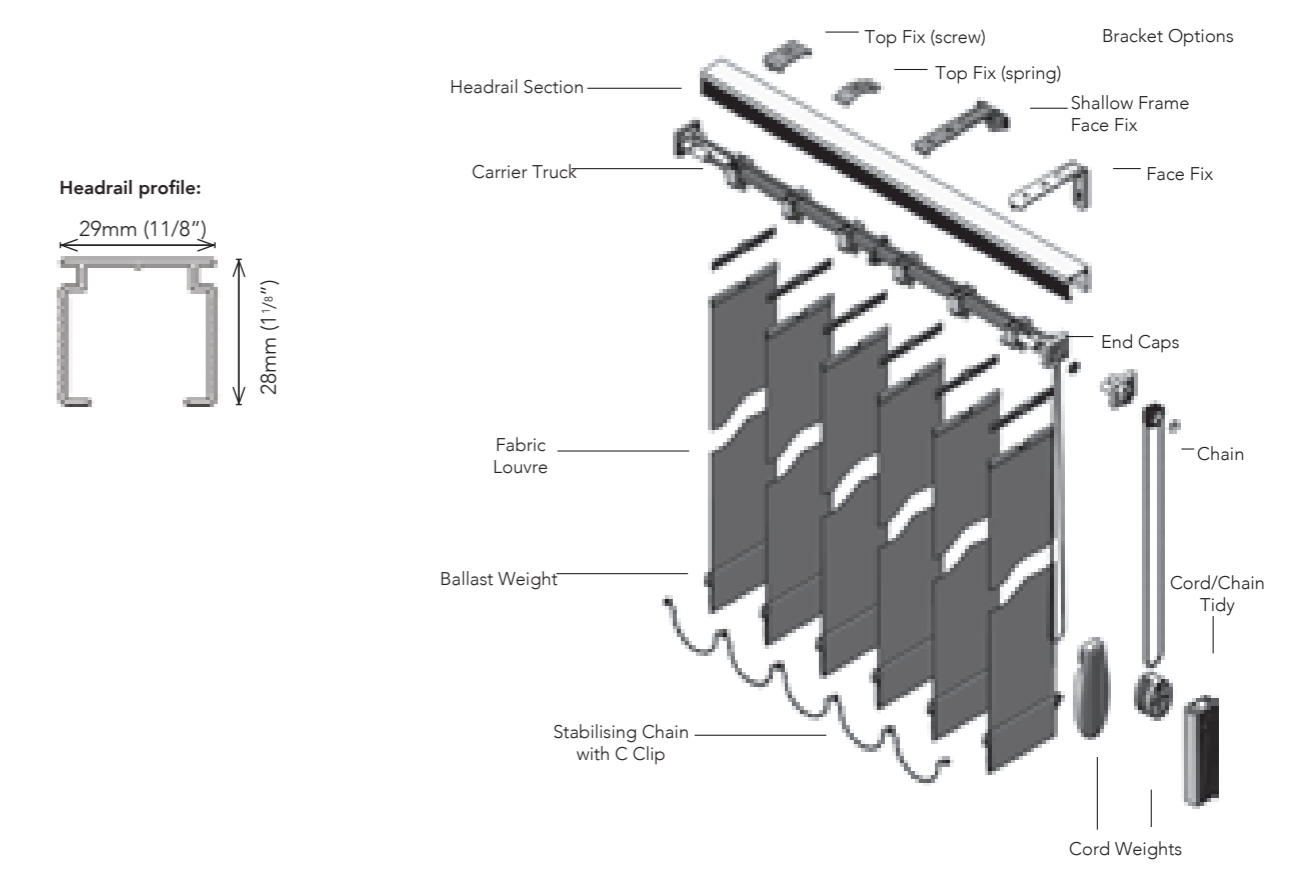


	89mm (3 1/2") Louvres	127mm (5") Louvres
Bunching		
One way	225mm (8 3/4") for 1st metre (3'3") width of blind	190mm (7 1/2") for 1st metre (3'3") width of blind. 115mm (4 1/2") for each additional metre
Split	225mm (8 3/4") for 1st metre (3'3") width of blind. 175mm (7") for each additional metre	135mm (5 1/2") for 1st metre (3'3") width of blind. 55mm (2 1/4") for each additional metre
Centre	165mm (6 1/2") for 1st metre (3'3") width of blind. 165mm (6 1/2") for each additional metre	115mm (4 1/2") for 1st metre (3'3") width of blind. 115mm (4 1/2") for each additional metre

Slimline® Vertical Blind System

Exploded diagram:

With Cord & Chain Operation



With Monocommand Wand Operation

