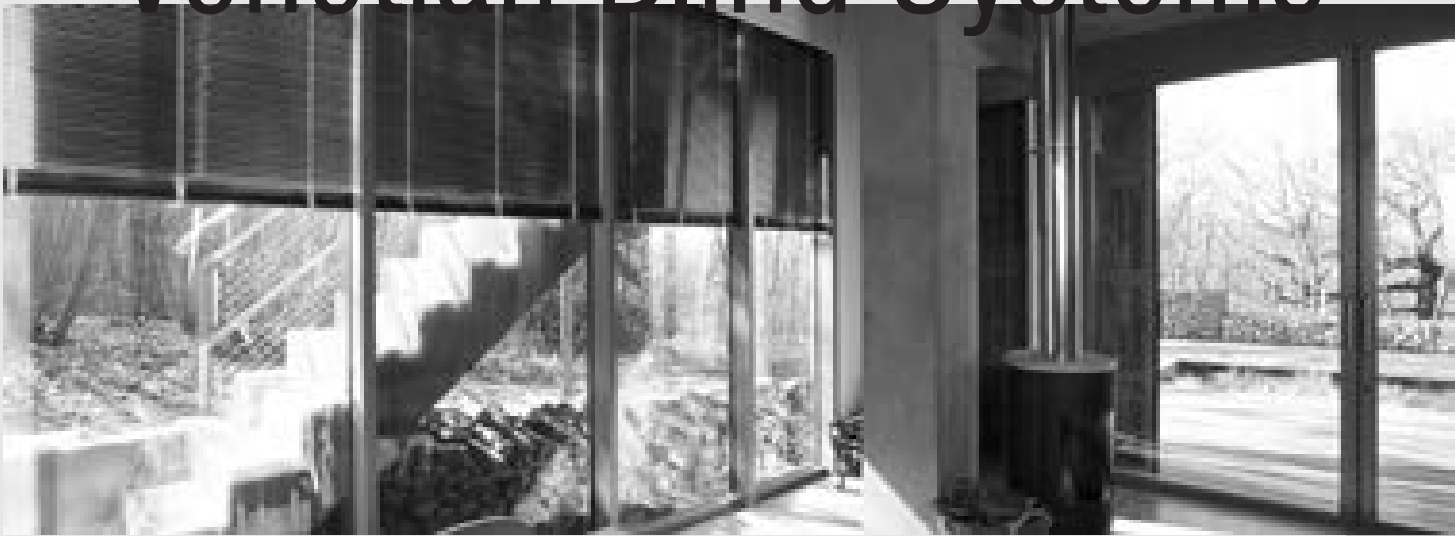
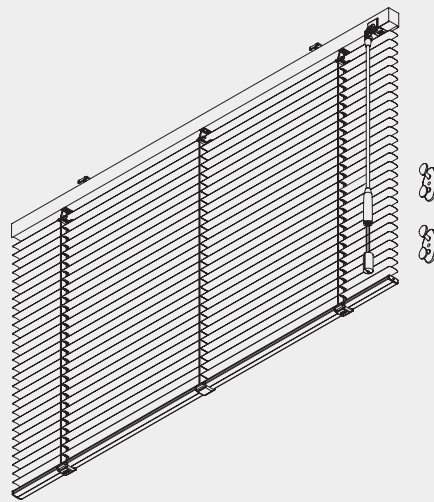


Venetian Blind Systems



Cord/Wand operated Venetian Blind System

Silent Gliss® 8110



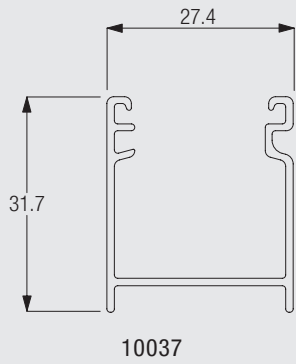
Product Information

- Venetian blind system for 16mm or 25mm aluminium slats
- Unique user-friendly control wand, combining tilt operation of slats with integrated cords for fast raising/lowering of the blind
- Left or right hand operation with various wand lengths available
- Available in 77 different slat colours
- The system 8110 can be equipped with side-guide wires and can therefore be used for sloped applications up to 15° incline from vertical
- Privacy feature (PC) standard for 25 mm slats, where the slats are punched to ensure no direct light penetration when slats are closed. The 8110 system is therefore ideal for use in offices and helps compliance with EC computer shading regulations
- Integrated brake enables precise and controlled lowering of slats
- Click mechanism ensures slats snap into the closed position which avoids gradual reopening



8110

Profile, Bending and Specification Information



Specification Information - download from www.silentgliss.co.uk (password required).

Silent Gliss 8110 system wand control venetian blind. Overall widthcm, overall dropcm. Dual operation with control wand and integral cord LHS / RHS. Slat colour(s) to be chosen from Silent Gliss 16mm or 25mm range. System is to be fixed with snap-on-brackets 10101 to ceiling / wall at 800-1000mm intervals plus one at 50mm from each end.

System Dimensions and Slat Stack Height



2.5m (16mm slats)
3m (25mm slats)



28cm (16 and 25mm slats)




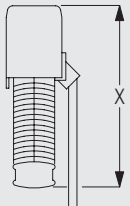



2.5m (16mm slats)
5m (25mm slats)



5m² (16mm slats)
7m² (25mm slats)

Slat stack height calculation

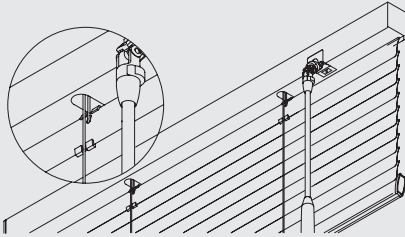
			 (cm)										
			50	75	100	125	150	175	200	225	250	275	300
	16	X	6.1	7.0	7.9	8.8	9.7	10.6	11.5	12.4	13.3		
	25 (PC)	X	6.4	7.3	8.1	9.1	9.6	10.6	11.5	12.3	13.2	14.0	15.0

			 (cm)					
			350	375	400	425	450	475
	16	X						
	25 (PC)	X	16.7	17.6	18.4	19.3	20.2	21.0

Please note that the indicated stack heights may vary by up to 1cm.

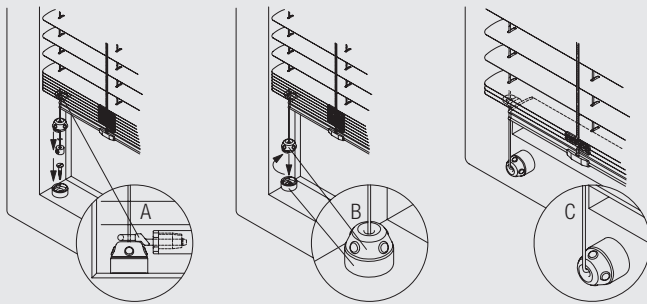
System Options

“Privacy feature” (PC) standard for 25mm slats



The slat holes are positioned to ensure no direct light penetration when slats are closed. The PC feature on 8110 is ideal for use in offices and helps compliance with EC computer shading regulations.

Side guides for stabilising blind system and sloped applications (up to 15° from vertical)



A and B: Fitting of side guides inside window frame
(A: detail eyelet / B: detail wireholder)
C: Fitting of side guides onto front of window frame

The system 8110 can be equipped with side-guide wires and can therefore also be used for sloped applications up to 15° incline from vertical.

Fitting Information

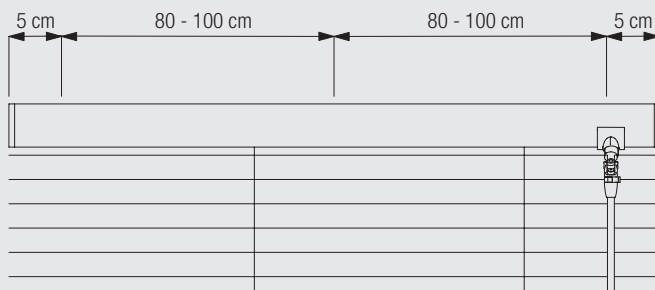
WARNING

Young children can be strangled by loops in pullcords, chains, tapes and inner cords that operate the product. To avoid strangulation and entanglement, keep cords out of the reach of young children. Cords may become wrapped around a child's neck. Move beds, cots and furniture away from window covering cords. Do not tie cords together. Make sure cords do not twist to create a loop.



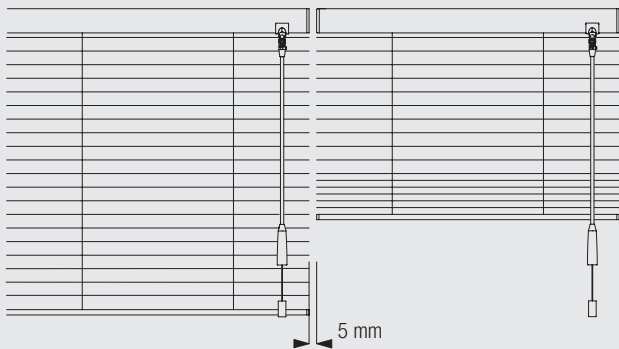
8110

Bracket positioning

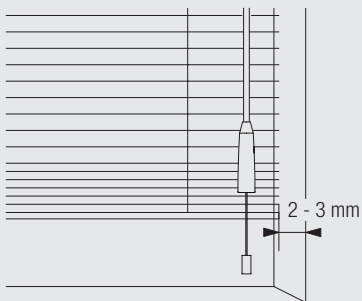


Please note: Cleats 10742 have to be installed at least 150cm above floor!

Side gaps when side-by-side fitting or recess fitting



The light gap between two systems is 5mm when fitted side-by-side.



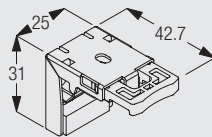
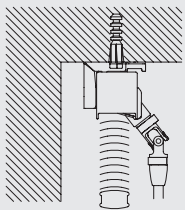
Distance from wall when recess fitting is 2-3mm.

Fitting Options

Ceiling fix with bracket 10101

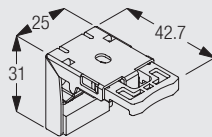
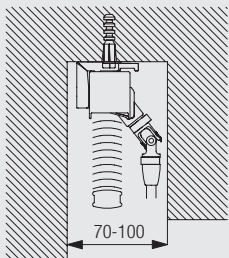


8110



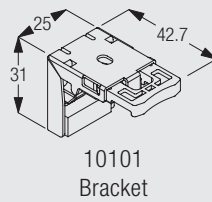
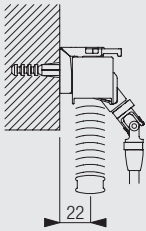
10101
Bracket

Recess fix with bracket 10101

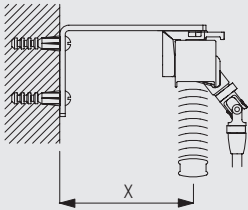


10101
Bracket

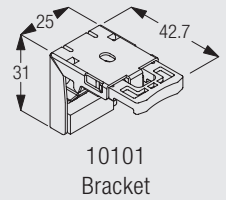
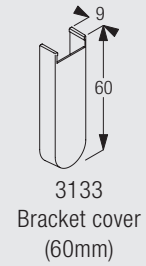
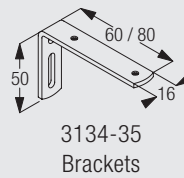
Wall or window frame fix with bracket 10101



Wall fix with brackets 3134-35 and bracket 10101



	X (mm)
3134	57-59
3135	77-79



Standard Accessories

8003 Bottom bar (16mm slats)



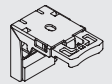
8004 Bottom bar (25mm slats)



10037 Profile



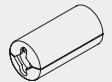
10101 Bracket



10742 Cleat



10748 Breakaway cord connector



10898 Eyelet



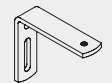
8110

Optional Accessories

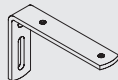
3133 Bracket cover (60mm)



3134 Bracket (60mm)



3135 Bracket (80mm)



3275 Adjustable extension bracket set (69mm)



3276 Adjustable extension bracket set (92mm)



6748 Cheese head machine screw (M4)

8235 Wire base short



8236 Wire base long



8237 Wire holder



8241 Eyelet



8249 Locking ring



10120 Wire \varnothing 0.9 mm for side guide

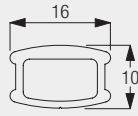


Useful Information

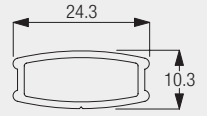
Control wands for the 8110 system are available in the following fixed lengths:
35cm, 51cm, 71cm, 91cm, 111cm, 131cm, 151cm, 171cm, 193cm.
When ordering, please specify the length you require.

Useful Measures

8003 Bottom bar (16mm slats)



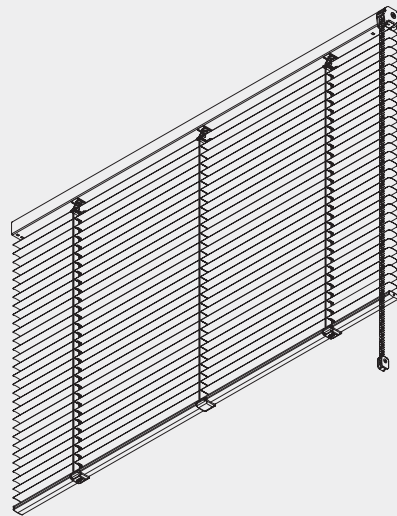
8004 Bottom bar (25mm slats)



8110

Chain Operated Venetian Blind System

Silent Gliss® 8300



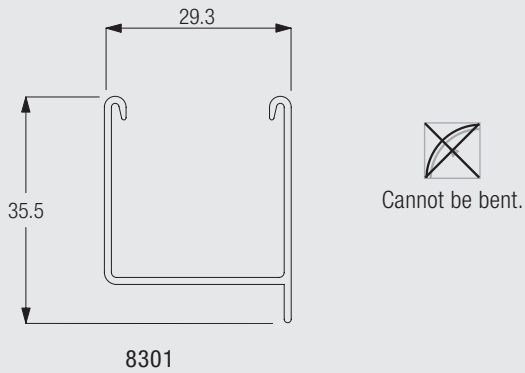
Product Information

- Mono controlled, chain operated venetian blind system for 16mm or 25mm aluminium slats
- One single metal chain controls raising/lowering of slats and tilting. Left or right hand operation
- Available in 77 different slat colours. Also perforated slats available for 25mm slats
- The control mechanism on the front of the headrail not only offers easy access and operation but also enables side-by-side mounting of systems with a minimized light gap
- The system 8300 can be equipped with side-guide wires and can therefore be used for sloped applications up to 15° incline from vertical
- Easily fitted with snap brackets to ceiling or wall
- Optional integral Child Safety Device



8300

Profile Information, Bending and Specification Information



Specification Information - download from www.silentgliss.co.uk (password required).

Silent Gliss 8300 system mono controlled chain operated venetian blind. Overall widthcm, overall dropcm. Single chain operation RHS / LHS. Aluminium headrail to incorporate flange to minimise light ingress at top of blind. Slat colour(s) to be chosen from Silent Gliss 16mm / 25mm range. System is to be fixed with snap-on-brackets 8302 to ceiling / wall at 800-1000mm intervals plus one at 70mm from each end.

System Dimensions and Slat Stack Height



3m



50cm



3m



4.5m²

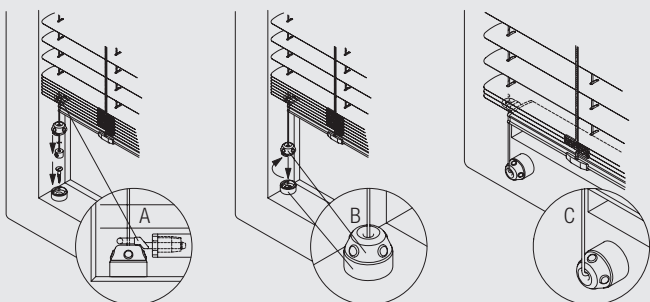
Slat stack height calculation

Slat height (mm)	X	max. (cm)										
		50	75	100	125	150	175	200	225	250	275	300
16	X	6.6	7.5	8.4	9.3	10.2	11.1	12.0	12.9	13.8	14.7	15.6
25	X	6.7	7.5	8.2	9.0	9.8	10.5	11.3	12.0	12.8	13.6	14.3

Please note that the indicated stack heights may vary by up to 1cm.

System Options

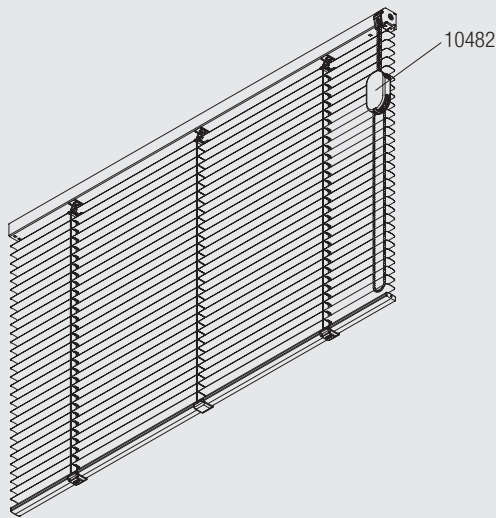
Side guides for stabilising blind system and sloped applications (up to 15° from vertical)



A and B: Fitting of side guides inside window frame
(A: detail eyelet / B: detail wireholder)
C: Fitting of side guides onto front of window frame

The system 8300 can be equipped with side-guide wires and can therefore also be used for sloped applications up to 15° incline from vertical.

Child Safety Device



The child safety device SG 10482 releases the chain should the pulling force exceed 6kg.

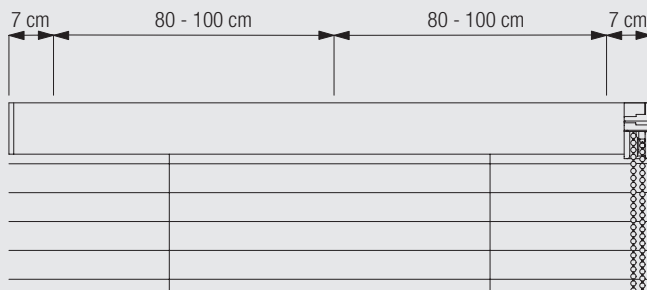
The max. system surface should not exceed 3.5m². Only applicable with 25 mm slats.

Fitting Information

WARNING

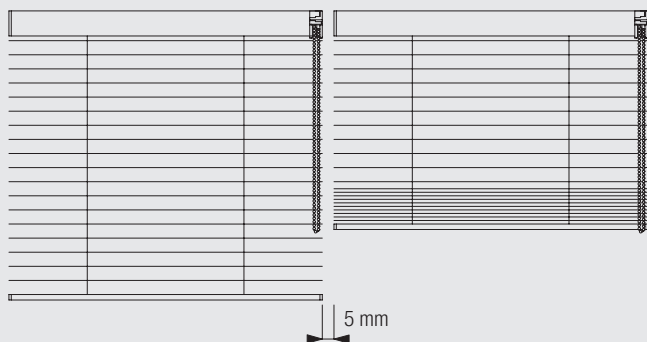
Young children can be strangled by loops in pullcords, chains, tapes and inner cords that operate the product. To avoid strangulation and entanglement, keep cords out of the reach of young children. Cords may become wrapped around a child's neck. Move beds, cots and furniture away from window covering cords. Do not tie cords together. Make sure cords do not twist to create a loop.

Bracket positioning

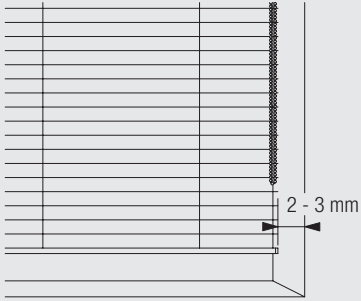


8300

Side gaps when side-by-side fitting or recess fitting



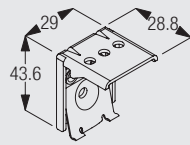
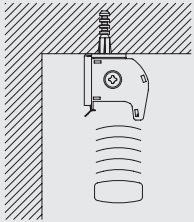
The light gap between two systems is 5mm when fitted side-by-side.



Distance from wall when recess fitting is 2-3mm.

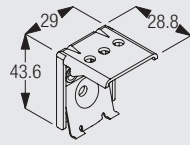
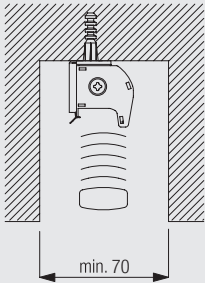
Fitting Options

Ceiling fix with bracket 8302



8302
Bracket

Recess fix with bracket 8302

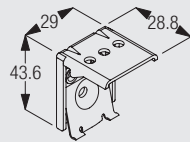
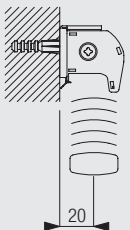


8302
Bracket



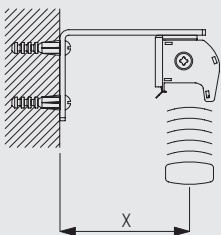
8300

Wall or window frame fix with bracket 8302

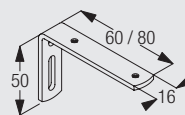


8302
Bracket

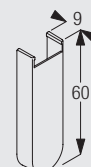
Wall fix with brackets 3134-35 and bracket 8302



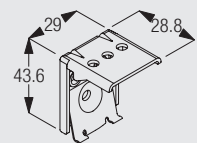
	X (mm)
3134	59
3135	79



3134-35
Brackets



3133
Bracket cover
(60mm)



8302
Bracket

Standard Accessories

8003	Bottom bar (16mm slats)		8004	Bottom bar (25mm slats)	
8301	Profile		8302	Bracket	
10400	Safety Cord Retainer		10530	Stainless steel bead chain (ø 4mm)	

Optional Accessories

3133	Bracket cover (60mm)		3134	Bracket (60mm)	
3135	Bracket (80mm)		8235	Wire base short	
8236	Wire base long		8237	Wire holder	
8241	Eyelet		8249	Locking ring	
8262	Spacer (10°)		8263	Spacer (4°)	
10120	Wire ø 0.9 mm for side guide		10482	Child Safety device - 4mm Metal Bead Chain	



8300

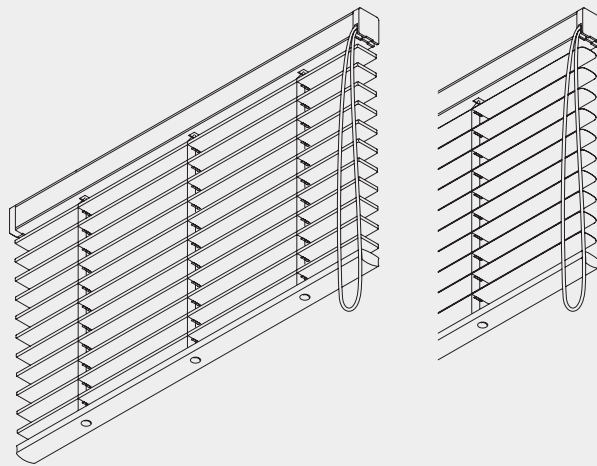
Useful Measures

8003	Bottom bar (16mm slats)		8004	Bottom bar (25mm slats)	
10482	Child Safety device - 4mm Metal Bead Chain				

Cord Operated Venetian Blind System

Silent Gliss® 8910

Wooden, Aluminium and Leather



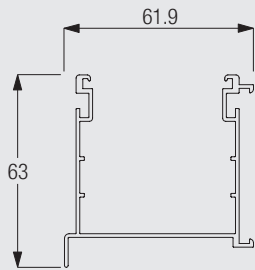
Product Information

- Luxurious mono controlled 50mm Venetian blind system - one single cord permits raising, lowering and tilting of the slats.
- Features unique 'continuous drop' action.
- Available with real wood, aluminium or leather slats.
- Matching slat is inserted into the headrail, preventing the need for a valance.
- Wide and attractive slat colour choice.
- Available with fabric tapes, excluding leather slats (extra cost).
- Made to measure.
- The wooden slats can be made flame retardant (extra costs).
- Side-guide option available.



8910

Profile and Bending Information



8902



Cannot be bent

Specification Information - download from www.silentgliss.co.uk (password required).

Silent Gliss 8910 system mono control Venetian blind. Overall widthcm, overall dropcm. Single cord operation RHS/LHS. Aluminium headrail incorporating matching slat. Slat colour to be chosen from Silent Gliss 50mm range. System to be fixed with Silent Gliss universal brackets 8920 to ceiling or wall at 500mm intervals plus one at 100mm from each end.

System Dimensions



243 cm (Wood and Leather)
360 cm (Alu)



65cm



275 cm (Wood and Leather)
360 cm (Alu)



4.6 m² (Wood and Leather)
10 m² (Alu)

Slat stack height calculation

	Slat width	X	Blind Drop							
			60cm	90cm	120cm	150cm	180cm	210cm	240cm	270cm
Wooden	50mm	X	12.0cm	14.5cm	17.0cm	19.5cm	22.0cm	24.5cm	27.0cm	29.5cm
	50mm	X	14.0cm	16.0cm	18.0cm	20.0cm	22.0cm	24.0cm	26.0cm	28.0cm
Leather	50mm	X	10.2cm	13.2cm	16.7cm					
	50mm	X								
Aluminium	50mm	X								
	50mm	X								

Please be aware that when tapes are used on venetian blinds, the stack size will be larger than the above stated figures.

System Options

Colour Coordination Chart

Slat Finish	Slat Colour / Wood Finish	Headrail Colour	Headrail Endcovers	Operating Cord	Ladder Cord	Lift Cord	Tape Colour	
Wooden	Stark	White	White	White	White	White	Natural	
	Soft White	White	White	White	White	White	Natural	
	Alpine	White	White	White	White	White	Duck	
	Eggshell	White	White	White	Cream	White	Duck	
	Cloud	White	White	White	Cream	Beige	Duck	
	Holstien	White	White	White	Cream	Beige	Echo	
	Linen	White	White	White	Cream	Beige	Echo	
	Alabaster	Beige	Beige	Beige	Cream	Beige	Stone	
	Sandwash	Beige	Beige	Beige	Cream	Brown	Stone	
	Natural	Beige	Beige	Soft Brown	Cream	Brown	Imagine	
	Sugar Maple	Beige	Beige	Soft Brown	Cream	Brown	Fallen	
	Cottage Pine	Soft Brown	Soft Brown	Soft Brown	Bronze	Brown	Light Beige	
	Light Oak	Soft Brown	Soft Brown	Soft Brown	Cream	Brown	Fallen	
	Golden Oak	Soft Brown	Soft Brown	Mid Brown	Bronze	Brown	Taupe	
	Pecan	Soft Brown	Soft Brown	Dark Brown	Bronze	Brown	Bronx	
	New Walnut	Dark Brown	Dark Brown	Dark Brown	Bronze	Brown	Cocoa	
	New Wenge	Dark Brown	Dark Brown	Dark Brown	Bronze	Brown	Justify	
	Yarrin	Dark Brown	Dark Brown	Dark Brown	Deep Brown	Black	Brown	Black
	Astro	White	White	White	White	White	White	Natural
	cirrus	White	White	White	White	Cream	White	Echo
	Nata	White	White	White	White	Cream	Beige	Stone
	Gravity	White	White	White	White	Cream	White	Duck
	Pardo	Silver	White	White	White	White	White	Taboo
	Equis	Silver	White	White	White	Bronze	Brown	Stealth
	Feline	Silver	White	White	White	White	White	Hype
	Hypnosis	Silver	White	White	White	Black	White	Mystery
	Isiro	Soft Brown	Soft Brown	Soft Brown	Dark Brown	Bronze	Brown	Taupe
	Koto	Soft Brown	Soft Brown	Soft Brown	Soft Brown	Bronze	Brown	Cocoa
	Matumi	Dark Brown	Dark Brown	Dark Brown	Dark Brown	Black	Brown	Black
	Cassia	Dark Brown	Dark Brown	Dark Brown	Deep Brown	Black	Brown	Black
	Zura	Beige	Beige	Beige	Beige	Cream	White	Stone
	Caroba	Beige	Beige	Beige	Beige	Cream	Brown	Stealth
	Koli	Soft Brown	Soft Brown	Soft Brown	Soft Brown	Bronze	Brown	Fallen
	Halti	Soft Brown	Soft Brown	Soft Brown	Soft Brown	Bronze	Brown	Imagine
	Orali	Dark Brown	Dark Brown	Dark Brown	Deep Brown	Bronze	Brown	Justify
	Acid	White	White	White	White	White	White	Acid
	Fizz	White	White	White	White	White	White	Fizz
	Vamp	White	White	White	White	White	White	Vamp
	Lulu	White	White	White	White	White	White	Lulu
	Poison	White	White	White	White	White	White	Poison
Electric	White	White	White	White	White	White	Electric	
Icon	White	White	White	White	White	White	Icon	
Envy	White	White	White	White	White	White	Envy	
Aluminium	White	White	White	White	White	White	Natural	
	Cream	Beige	Beige	Beige	Cream	Beige	Duck	
	Grey	Silver	Silver	White	White	White	Hype	
	Astrid	Silver	White	White	White	White	Astrid	
	Android	Silver	White	White	White	Brown	Android	
	Electrum	Beige	Beige	Beige	Bronze	Brown	Electrum	
	Orbit	Soft Brown	Soft Brown	Soft Brown	Mid Brown	Bronze	Brown	Orbit
	Rockit	Dark Brown	Dark Brown	Dark Brown	Deep Brown	White	Brown	Rockit
Nebula	Dark Brown	Dark Brown	Dark Brown	Deep Brown	Black	Brown	Nebula	



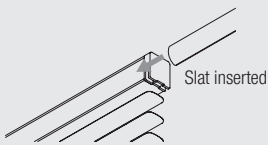
8910

Slat Finish	Slat Colour / Wood Finish	Headrail Colour	Headrail Endcovers	Operating Cord	Ladder Cord	Lift Cord	Eyelet
Leather	Cream 522	Cream	Cream	Beige	Cream	Beige	Nickel
	Cream 518	Cream	Cream	White	White	Beige	Nickel
	Taupe 533	Taupe	Taupe	Beige	Bronze	Brown	Nickel
	Taupe 524	Taupe	Taupe	Beige	Cream	Brown	Nickel
	White 501	White	White	White	White	White	Nickel
	Cream 523	Cream	Cream	Beige	Cream	Beige	Nickel
	Cream 503	Cream	Cream	Beige	Cream	Beige	Nickel
	Cream 502	Cream	Cream	Beige	Cream	Beige	Nickel
	Cream 505	Cream	Cream	Beige	Cream	Beige	Nickel
	Yellow 515	Yellow	Yellow	Soft Brown	Cream	Beige	Nickel
	Cream 504	Cream	Cream	Beige	Bronze	Beige	Nickel
	Brown 536	Brown	Brown	Medium Brown	Bronze	Brown	Nickel
	Brown 539	Brown	Brown	Deep Brown	Bronze	Brown	Nickel
	Brown 535	Brown	Brown	Deep Brown	Bronze	Brown	Nickel
	Purple 530	Purple	Purple	Deep Brown	Black	Brown	Nickel
	Orange 526	Orange	Orange	Medium Brown	Bronze	Brown	Nickel
	Orange 517	Orange	Orange	Soft Brown	Bronze	Brown	Nickel
	Orange 521	Orange	Orange	Medium Brown	Bronze	Brown	Nickel
	Red 510	Red	Red	Deep Brown	Black	Brown	Nickel
	Red 509	Red	Red	Deep Brown	Black	Brown	Nickel
	Brown 506	Brown	Brown	Dark Brown	Bronze	Brown	Nickel
	Brown 507	Brown	Brown	Medium Brown	Bronze	Brown	Nickel
	Brown 529	Brown	Brown	Deep Brown	Black	Brown	Nickel
	Brown 508	Brown	Brown	Deep Brown	Black	Brown	Nickel
	Brown 520	Brown	Brown	Deep Brown	Black	Brown	Nickel
	Green 527	Green	Green	White	White	White	Nickel
	Green 532	Green	Green	White	White	White	Nickel
	Green 537	Green	Green	Deep Brown	Black	Brown	Nickel
	Green 512	Green	Green	Deep Brown	Black	Brown	Nickel
	Red 534	Red	Red	Deep Brown	Black	Brown	Nickel
	Grey 516	Grey	Grey	White	White	White	Nickel
	Grey 531	Grey	Grey	White	White	White	Nickel
	Blue 538	Blue	Blue	Deep Brown	Black	Brown	Nickel
	Blue 513	Blue	Blue	Deep Brown	Black	Brown	Nickel
	Grey 525	Grey	Grey	Deep Brown	Black	Brown	Nickel
	Grey 519	Grey	Grey	Deep Brown	Black	Brown	Nickel
	Grey 514	Grey	Grey	Deep Brown	Black	Brown	Nickel



8910

* These colour combinations are recommended, however any other combination is available. Various components can also be colour coordinated/painted at extra cost.



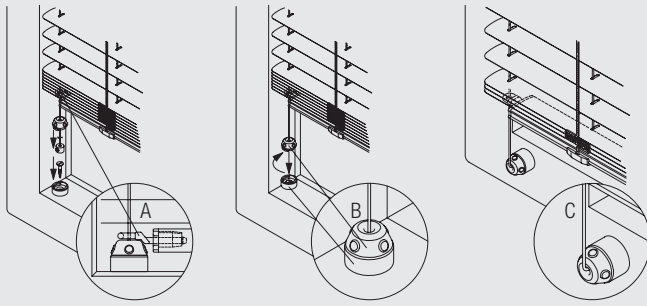
An actual slat is inserted into the headrail for perfect matching of colours and materials to avoid the need to fit a cumbersome valance.

Silent Gliss' high standards follow through from the super-efficient headrail and excellent slat colour choice to a high level of coordination. An actual slat made from the same material as the blind is fed into the front of the headrail making a cumbersome valance unnecessary. There are various colours of headrail with coordinating components and operating cord, including ladder tapes available. Our standard combinations are shown in above chart but can be specified to customers wish.

For leather slat blinds there is the option of a leather covered headrail at an additional cost.

Leather covered slats cannot be specified with decorative (external) slat tapes. The blind hardware is supplied matched to the slat colour.

Side guides for stabilising blind system and sloped applications (up to 15°) from vertical.



A and B: Fitting of side guides inside window frame
(A: detail eyelet / B: detail wireholder)
C: Fitting of side guides onto front of window frame

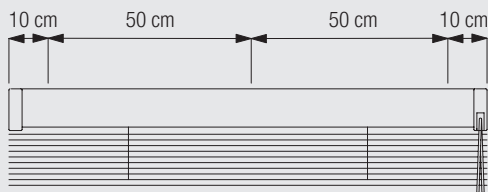
The system 8910 can be equipped with side-guides wires and can therefore also be used for sloped up to 15° incline from vertical.

Fitting Information

WARNING

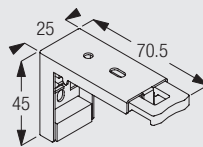
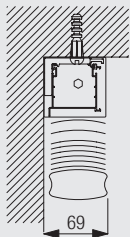
Young children can be strangled by loops in pullcords, chains, tapes and inner cords that operate the product. To avoid strangulation and entanglement, keep cords out of the reach of young children. Cords may become wrapped around a child's neck. Move beds, cots and furniture away from window covering cords. Do not tie cords together. Make sure cords do not twist to create a loop.

Bracket positioning



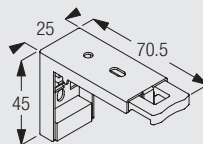
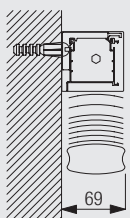
Fitting Options

Ceiling fix



8920
Universal bracket

Wall fix



8920
Universal bracket

Please note: When fitting in a recess, a minimum gap of 90mm must be allowed.



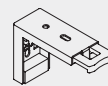
8910

Standard Accessories

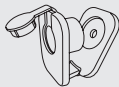
8902 Profile



8920 Universal bracket



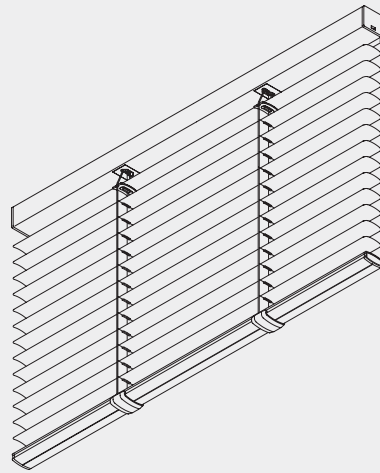
10400 Safety Cord Retainer



8910

Motorised Venetian Blind System

Silent Gliss® 8250



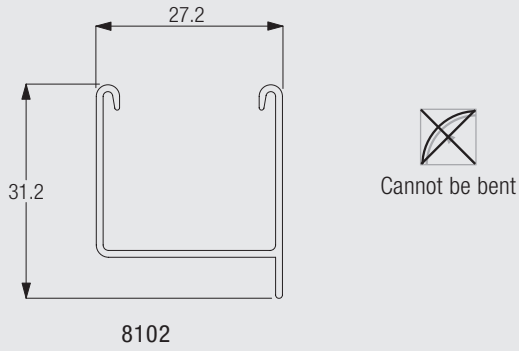
Product Information

- Electrically operated venetian blind system for 16mm or 25mm aluminium slats
- Available in 77 different slat colours. Also perforated slats available for 25mm slats
- The system can be used with a minimum width of 65cm, up to a height of 2m. With a minimum width of 80cm, the system can be used up to a height of 3.4m
- The maximum system width and surface are 3m and 5m²
- The system 8250 can be equipped with side-guide wires and can therefore be used for sloped applications up to 15° incline from vertical
- The top stack of the slats can measure up to 12% of the blind drop (depending on slat widths and make-up). Please refer to specific stack height charts
- The system can be easily fitted with snap brackets on ceilings or walls
- Delivered ready assembled
- Can be combined with Radio Remote Control System Silent Gliss 9940/0450



8250

Profile, Bending and Specification Information



Specification Information - download from www.silentgliss.co.uk (password required).

Silent Gliss 8250 system electrically operated venetian blind. Overall widthcm, overall dropcm. Operation by a 24 V DC motor Aluminium headrail incorporates a flange to minimise light ingress at top of blind. Slat colour(s) to be chosen from Silent Gliss 16mm or 25mm range. System is to be fixed with snap on brackets 8201 to ceiling/wall at 800-1000mm intervals plus one at 60mm from each end.

System Dimensions & Slat stack height



3m



65cm
(up to a height of 2m)



80cm
(up to a height of 3.4m)



3.4m



5m²

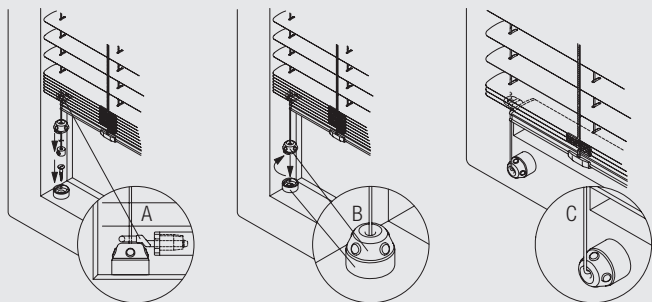
Slat stack height calculation

Slat Width (mm)	Slat Depth (mm)	Slat Stack Height (cm)													
		50	75	100	125	150	175	200	225	250	275	300	325	340	
16	X	6.1	7.0	7.9	8.8	9.7	10.6	11.5	12.4	13.3	14.2	15.1	16.0	16.9	
25	X	6.2	7.0	7.7	8.5	9.3	10.0	10.8	11.5	12.3	13.1	13.8	14.6	15.3	

Please note that the indicated stack heights may vary by up to 1cm.

System Options

Side guides for stabilising blind system and sloped applications (up to 15°) from vertical.

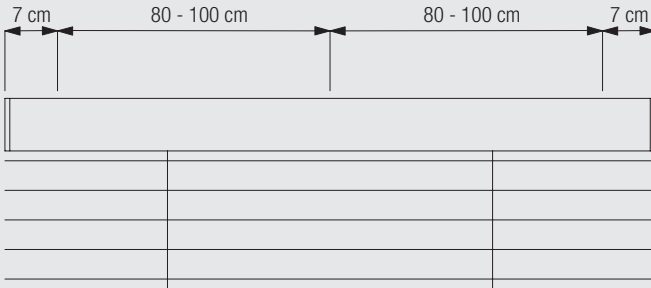


A and B: Fitting of side guides inside window frame
(A: detail eyelet / B: detail wireholder)
C: Fitting of side guides onto front of window frame

The system 8250 can be equipped with side-guide wires and can therefore also be used for sloped applications up to 15° incline from vertical.

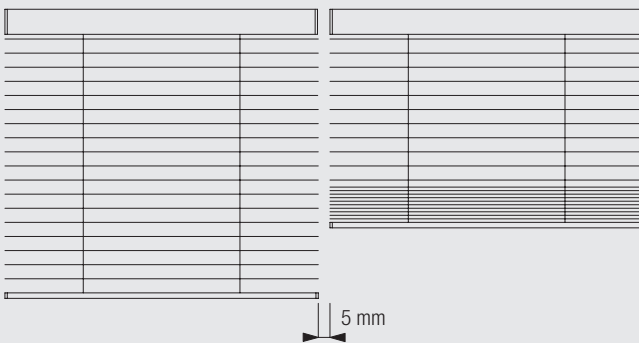
Fitting Information

Bracket positioning

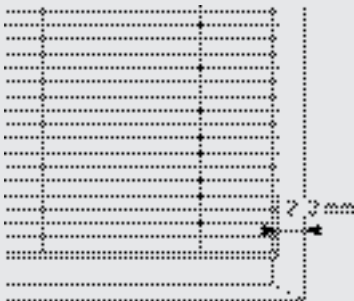


Attention: Never position the brackets 8201 on the take up reels.

Side gaps when side-by-side fitting or recess fitting



The light gap between two systems is only 5mm.



Distance from wall when recess fitting is 2-3mm.

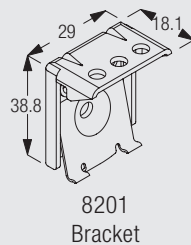
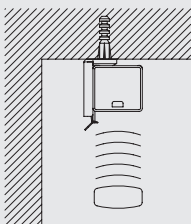


8250

Fitting Options

CAD download through Silent Gliss website (password required) www.silentgliss.co.uk

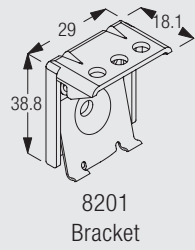
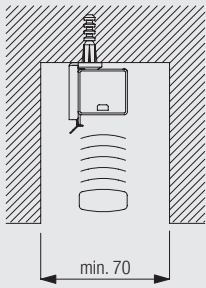
Ceiling fix with bracket 8201



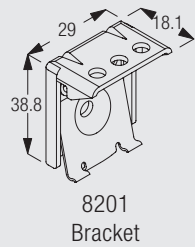
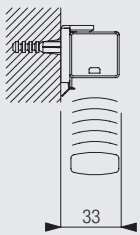
8201
Bracket

It is recommended that a distance of 50mm is allowed between the wall and the blind.

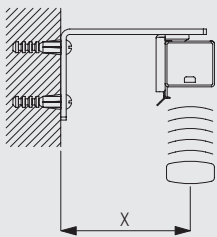
Recess fix with bracket 8201



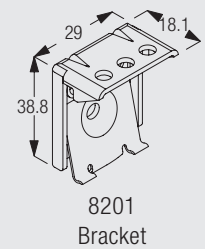
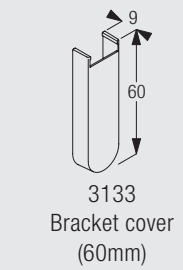
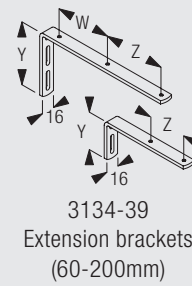
Wall or window frame fix with bracket 8201



Wall fix with brackets 3134-37 and bracket 8201

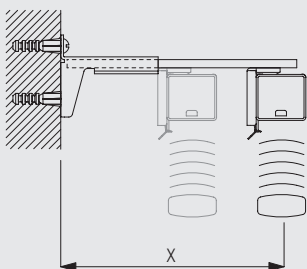


	x (mm)	W (mm)	Y (mm)	Z (mm)
3134	58	-	50	-
3135	78	-	50	50
3136	98	-	50	50
3137	118	-	80	50

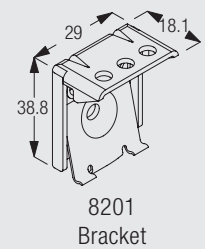
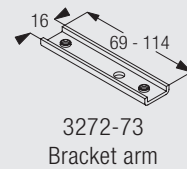
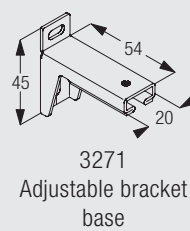


8250

Wall fix with extension brackets 3275-77



	x (mm)
Set 3275	73-98
Set 3276	90-121
Set 3277	120-151



Standard Accessories

8003	Bottom bar (16mm slats)		8004	Bottom bar (25mm slats)	
8102	Profile		8201	Bracket	
10283	Power supply 1.5 DC				

Optional Accessories

0937	Programmable switch incl. back box (0938)		3133	Bracket cover (60mm)	
3134	Extension bracket (60mm)		3135	Extension bracket (80mm)	
3136	Extension bracket (100mm)		3137	Extension bracket (120mm)	
3271	Adjustable bracket base		3272	Adjustable bracket arm (69mm)	
3273	Adjustable bracket arm (92mm)		3275	Adjustable extension bracket set (69mm)	
3276	Adjustable extension bracket set (92mm)		3277	Adjustable extension bracket set (122mm)	
8235	Wire base short		8236	Wire base long	
8237	Wire holder		8241	Eyelet	
8249	Locking ring		8262	Spacer (10°)	
8263	Spacer (4°)		10120	Wire ø 0.9 mm for side guide	

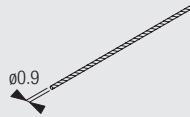


8250

Useful Measurements

8003	Bottom bar (16mm slats)		8004	Bottom bar (25mm slats)	
------	-------------------------	--	------	-------------------------	--

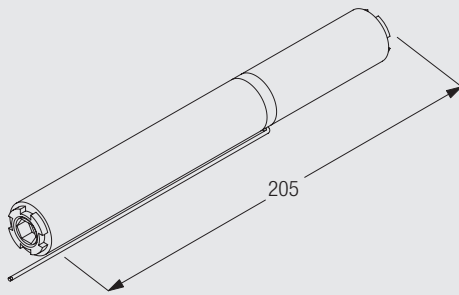
10120 Wire \varnothing 0.9 mm for side guide



Motorisation

The system 8250 is equipped with two different motor versions, depending on the size of the system.

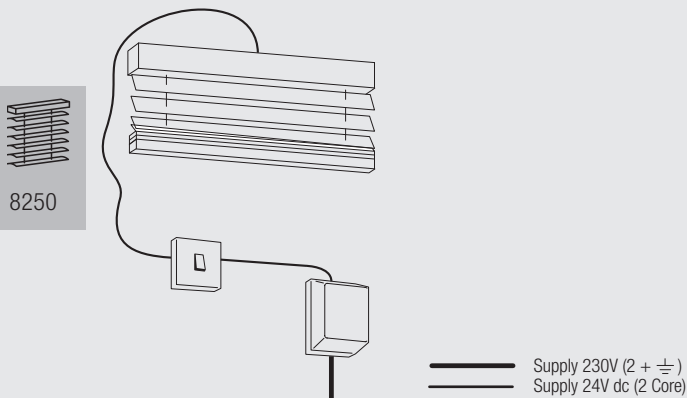
Motor Silent Gliss 8060



- Torque: 0.4 Nm / 0.8 Nm
- Voltage: 24 V DC
- Current: 0.45 A / 0.65 A
- Speed: 40 rpm / 30 rpm
- Overload Protection
- CE Standard
- No end limit setting
- Weight: 195 g

Operating Methods

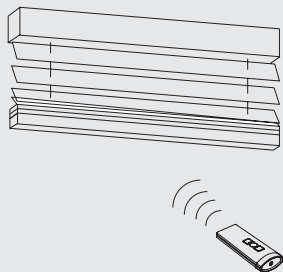
Fixed switch



When using the fixed switch control for multiple blinds, when operating simultaneously, the blinds may not necessarily stop at precisely the same intermediate point, or tilt to the same angle. Top and bottom levels can be preset in alignment.

If this is a requirement of the system then it is recommended that System 0450 Radio Controls is used with individual and simultaneous switching.

Radio Remote Control with Systems 9940/0450



The 8060 motor (24V) system can be combined with the Radio Remote Control System Silent Gliss 9940/0450. For further details, please refer to catalogue section "Motors & Controls".

Wiring and Connections

Important: Wiring diagrams are available at www.silentgliss.co.uk (password required).

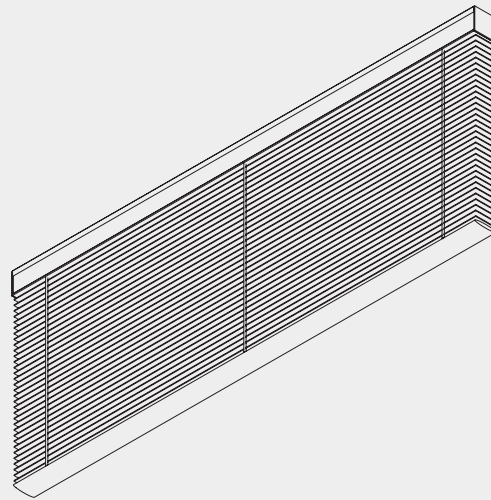


8250

Motorised Venetian Blind System

Silent Gliss® 8960

Wood, Leather or Aluminium



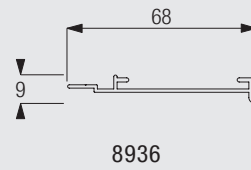
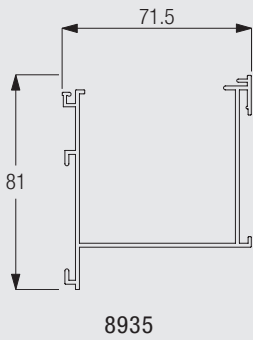
Product Information

- Luxurious motorised Venetian blind system.
- Available with wood, leather or aluminium slats.
- Headrail covered with matching slat.
- Wide and attractive slat colour choice.
- Available with fabric tapes.
- Made to measure.
- Option (extra costs): flame retardancy of wooden slats.
- Option: side-guide available.
- Applicable with Radio Remote Control System 9940 and Silent Gliss Move app.



8960

Profile and Bending Information



System Dimensions



243 cm (Wood and Leather)
360 cm (Alu)



65cm



275cm (Wood and Leather)
360 cm (Alu)



4.6m² (Wood and Leather)
10 m² (Alu)

Slat stack height calculation

Material	Slat width	Blind Drop	Blind Drop							
			60cm	90cm	120cm	150cm	180cm	210cm	240cm	270cm
Wooden	50mm	X	12.0cm	14.5cm	17.0cm	19.5cm	22.0cm	24.5cm	27.0cm	29.5cm
	50mm	X	16.0cm	18.0cm	20.0cm	22.0cm	24.0cm	26.0cm	28.0cm	30.0cm
Leather	50mm	X	10.2cm	13.2cm	16.7cm					
	50mm	X								
Aluminium	50mm	X								
	50mm	X								

Please be aware that when tapes are used on venetian blinds, the stack size will be larger than the above stated figures.

System Options

Colour Coordination Chart

Slat Finish	Slat Colour / Wood Finish	Headrail Colour	Headrail Endcovers	Ladder Cord	Lift Tape	Tape Colour
Wooden	Stark	White	White	White	White	Natural
	Soft White	White	White	White	White	Natural
	Alpine	White	White	White	White	Duck
	Eggshell	White	White	Cream	White	Duck
	Cloud	White	White	Cream	Beige	Duck
	Holstien	White	White	Cream	Beige	Echo
	Linen	White	White	Cream	Beige	Echo
	Alabaster	Beige	Beige	Cream	Beige	Stone
	Sandwash	Beige	Beige	Cream	Medium Brown	Stone
	Natural	Beige	Beige	Cream	Brown	Imagine
	Sugar Maple	Beige	Beige	Cream	Brown	Fallen
	Cottage Pine	Soft Brown	Soft Brown	Bronze	Brown	Light Beige
	Light Oak	Soft Brown	Soft Brown	Cream	Brown	Fallen
	Golden Oak	Soft Brown	Soft Brown	Bronze	Brown	Taupe
	Pecan	Soft Brown	Soft Brown	Bronze	Brown	Bronx
	New Walnut	Dark Brown	Dark Brown	Bronze	Dark Brown	Cocoa
	New Wenge	Dark Brown	Dark Brown	Bronze	Dark Brown	Justify
	Yarrin	Dark Brown	Dark Brown	Black	Dark Brown	Black
	Astro	White	White	White	White	Natural
	cirrus	White	White	Cream	White	Echo
	Nata	White	White	Cream	Beige	Stone
	Gravity	White	White	Cream	White	Duck
	Pardo	Silver	White	White	White	Taboo
	Equis	Silver	White	Bronze	Medium Brown	Stealth
	Feline	Silver	White	White	White	Hype
	Hypnosis	Silver	White	Black	White	Mystery
	Isiro	Soft Brown	Soft Brown	Bronze	Medium Brown	Taupe
	Koto	Soft Brown	Soft Brown	Bronze	Medium Brown	Cocoa
	Matumi	Dark Brown	Dark Brown	Black	Dark Brown	Black
	Cassia	Dark Brown	Dark Brown	Black	Dark Brown	Black
	Zura	Beige	Beige	Cream	Beige	Stone
	Caroba	Beige	Beige	Cream	Medium Brown	Stealth
	Koli	Soft Brown	Soft Brown	Bronze	Medium Brown	Fallen
	Halti	Soft Brown	Soft Brown	Bronze	Medium Brown	Imagine
	Orali	Dark Brown	Dark Brown	Bronze	Dark Brown	Justify
	Acid	White	White	White	White	Acid
	Fizz	White	White	White	White	Fizz
	Vamp	White	White	White	White	Vamp
	Lulu	White	White	White	White	Lulu
	Poison	White	White	White	White	Poison
Electric	White	White	White	White	Electric	
Icon	White	White	White	White	Icon	
Envy	White	White	White	White	Envy	
Aluminium	White	White	White	White	White	Natural
	Cream	Beige	Beige	Cream	Beige	Duck
	Grey	Silver	Silver	White	White	Hype
	Astrid	Silver	White	White	White	Astrid
	Android	Silver	White	White	Medium Brown	Android
	Electrum	Beige	Beige	Bronze	Medium Brown	Electrum
	Orbit	Soft Brown	Soft Brown	Bronze	Medium Brown	Orbit
	Rockit	Dark Brown	Dark Brown	White	Dark Brown	Rockit
Nebula	Dark Brown	Dark Brown	Black	Dark Brown	Nebula	

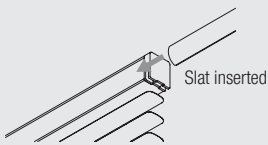


8960

Slat Finish	Slat Colour / Wood Finish	Headrail Colour	Headrail Endcovers	Ladder Cord	Lift Tape	Eyelet
Leather	Cream 522	Cream	Cream	Cream	Beige	Nickel
	Cream 518	Cream	Cream	White	White	Nickel
	Taupe 533	Taupe	Taupe	Bronze	Medium Brown	Nickel
	Taupe 524	Taupe	Taupe	Cream	Medium Brown	Nickel
	White 501	White	White	White	White	Nickel
	Cream 523	Cream	Cream	Cream	Beige	Nickel
	Cream 503	Cream	Cream	Cream	Beige	Nickel
	Cream 502	Cream	Cream	Cream	Beige	Nickel
	Cream 505	Cream	Cream	Cream	Beige	Nickel
	Yellow 515	Yellow	Yellow	Cream	Beige	Nickel
	Cream 504	Cream	Cream	Bronze	Medium Brown	Nickel
	Brown 536	Brown	Brown	Bronze	Medium Brown	Nickel
	Brown 539	Brown	Brown	Bronze	Dark Brown	Nickel
	Brown 535	Brown	Brown	Bronze	Dark Brown	Nickel
	Purple 530	Purple	Purple	Black	Dark Brown	Nickel
	Orange 526	Orange	Orange	Bronze	Beige	Nickel
	Orange 517	Orange	Orange	Bronze	Beige	Nickel
	Orange 521	Orange	Orange	Bronze	Dark Brown	Nickel
	Red 510	Red	Red	Black	Dark Brown	Nickel
	Red 509	Red	Red	Black	Dark Brown	Nickel
	Brown 506	Brown	Brown	Bronze	Medium Brown	Nickel
	Brown 507	Brown	Brown	Bronze	Medium Brown	Nickel
	Brown 529	Brown	Brown	Black	Dark Brown	Nickel
	Brown 508	Brown	Brown	Black	Dark Brown	Nickel
	Brown 520	Brown	Brown	Black	Dark Brown	Nickel
	Green 527	Green	Green	White	White	Nickel
	Green 532	Green	Green	White	White	Nickel
	Green 537	Green	Green	Black	Dark Brown	Nickel
	Green 512	Green	Green	Black	Dark Brown	Nickel
	Red 534	Red	Red	Black	Dark Brown	Nickel
	Grey 516	Grey	Grey	White	White	Nickel
	Grey 531	Grey	Grey	White	White	Nickel
	Blue 538	Blue	Blue	Black	Dark Brown	Nickel
	Blue 513	Blue	Blue	Black	Dark Brown	Nickel
	Grey 525	Grey	Grey	Black	Dark Brown	Nickel
	Grey 519	Grey	Grey	Black	Dark Brown	Nickel
	Grey 514	Grey	Grey	Black	Dark Brown	Nickel

8960

* These colour combinations are recommended, however any other combination is available. Various components can also be colour coordinated/painted at extra cost.



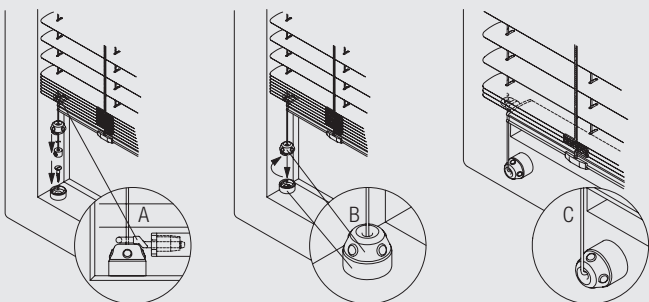
An actual slat is inserted into the headrail for perfect matching of colours and materials to avoid the need to fit a cumbersome valance.

Silent Gliss offers premium customisation for its venetian range. Silent Gliss recommends combinations shown in above chart. Further customisation to match customer wishes is possible.

For leather slat blinds there is the option of a leather covered headrail at an additional cost.

Leather covered slats cannot be specified with decorative (external) slat tapes. The blind hardware is supplied matching the slat colour.

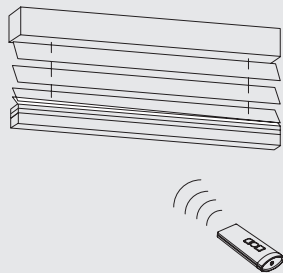
Side guides for stabilising blind system and sloped applications (up to 15°) from vertical.



A and B: Fitting of side guides inside window frame (A: detail eyelet / B: detail wireholder)
C: Fitting of side guides onto front of window frame

The system 8910 is suitable with side-guide wires and therefore usable for sloped applications up to 15° incline from vertical.

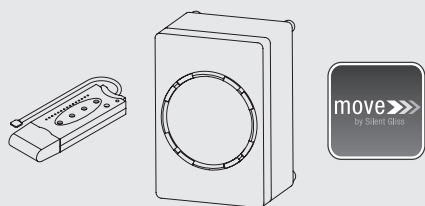
Radio Remote Control System Silent Gliss 9940



The Silent Gliss motors 11096 and 11098 feature an integrated radio receiver. Combined with the Radio Remote Control System Silent Gliss 9940, this system offers maximum comfort with minimum wiring.

For further details, please refer to catalogue section "Motors & Controls".

Silent Gliss Move App



Operation of system with Silent Gliss Move app using a smartphone, tablet or desktop.

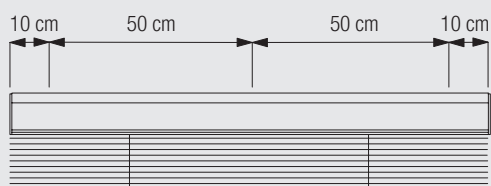
Whether at home or on the road, this reliable and intuitive app allows to program automatic opening and closing times. Furthermore, automatic sunrise and sunset time programming and groups and moods are possible.

The app is available for Android, IOS and Windows and can be downloaded in the respective app stores. Additionally, the Move Server Set Silent Gliss 9960 is required.

For further details, please refer to product group "Motors & Controls".

Fitting Information

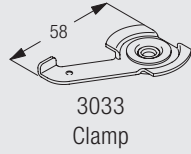
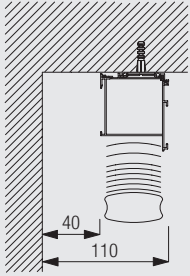
Bracket positioning



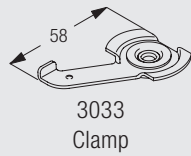
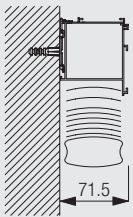
8960

Fitting Options

Ceiling fitting



Wall fitting



Please note: When fitting in a recess, a minimum gap of 110mm must be allowed.

Standard Accessories



8960

3033 Clamp



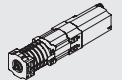
8935 Profile



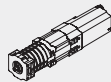
8936 Profile



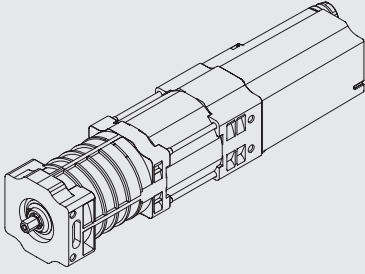
11095 Motor 230V



11096 Motor 230 V, radio receiver



Silent Gliss Motors 11095 / 11096



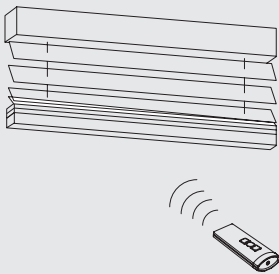
- Torque: 6 Nm
- Voltage: 230 V 50 Hz
- Current: 0.57 A
- Thermal overload protection
- CE Standard
- Electronical limit setting
- Weight: 2 kg

Operation Methods

Wall Switch

System to be operated by fixed wall switch.

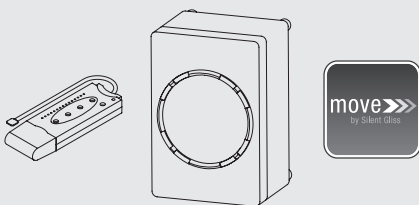
Radio Remote Control System Silent Gliss 9940



The Silent Gliss motor 11096 features an integrated radio receiver. Combined with the Radio Remote Control System Silent Gliss 9940, this system offers maximum comfort with minimum wiring.

For further details, please refer to catalogue section "Motors & Controls".

Silent Gliss Move App



Operation of system with Silent Gliss Move app using a smartphone, tablet or desktop.

Whether at home or on the road, this reliable and intuitive app allows to program automatic opening and closing times. Furthermore, automatic sunrise and sunset time programming and groups and moods are possible.

The app is available for Android, IOS and Windows and can be downloaded in the respective app stores. Additionally, the Move Server Set Silent Gliss 9960 is required.

For further details, please refer to product group "Motors & Controls".

Wiring and Connections

Important: For other operating / wiring methods, please see section "Motor & Controls".



8960