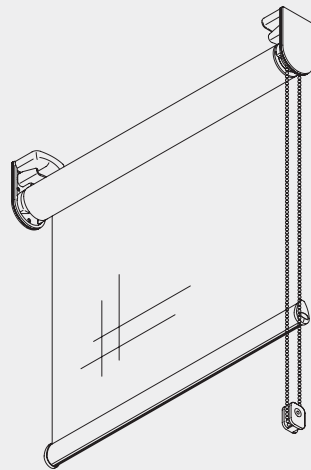


Roller Blind Systems



Chain Operated Roller Blind System

Silent Gliss® 4830



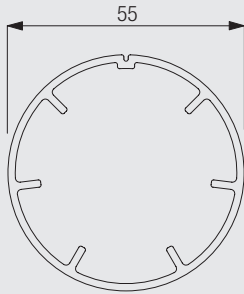
Product Information

- Medium/medium-heavy duty chain operated roller blind system, ideal for contract applications
- Thanks to the unique planetary gear, the operation is smooth and light and the blind stops instantly with no slippage
- The system can be used as single or as a side by side (linked) system with one chain, using a connection snap-in bracket for easy fitting from below
- The system (single) can be used up to a maximum width of 3.30 m, a maximum drop of 4 m or a maximum surface of 10 sqm
- As connected system, the maximum dimensions are for the width 6.60 m, the drop 4 m and the maximum surface the same as for the single system, 10 sqm
- The maximum load should not exceed for both, single as well as connected (side by side) systems, a maximum weight of 7 kg
- Wall, ceiling or recess fitting. Special features like adjustable stainless steel brackets for easy vertical adjustment of fabric or pre-fitted hook-in stainless steel plates, which take the weight of the blind whilst the fitters carry out final positioning offer new comfort and precision to the fitting
- Over-roll protection stop and bracket covers round-up the elegant and finished design of this extraordinary blind system
- Supplied ready assembled, made-to-measure with fabric. Large and attractive fabric offer
- Double system option allows two blinds to be mounted in parallel on the same set of brackets - ideal when sheer and dim-out shading is required at same window



4830

Profile and Specification Information



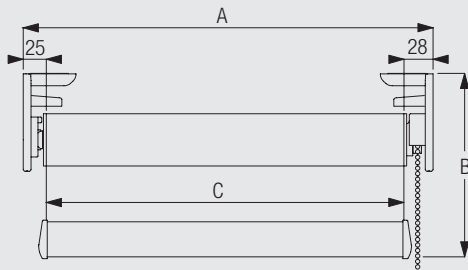
4701

Specification Guide - download from www.silentgliss.co.uk (password required).

Silent Gliss chain operated roller blind system for medium to medium/heavy weight fabric applications with unique planetary gear with integrated brake to ensure smooth operation and exact stopping with no slippage. Fixed to wall/ceiling/inside recess with 4707 bracket set with top and side covers to ensure neat appearance. 4714 hook in plates to be used for easy on-site installation. Optional side guide wires and aluminium fascia with rubber lip available to ensure no light gap at ceiling. Side by side system 4830 can be operated simultaneously by one chain, fitted with 4708 (wall)/4709 (ceiling) centre support brackets. Double system optional with brackets 4969/4971.

How to Measure

Single system



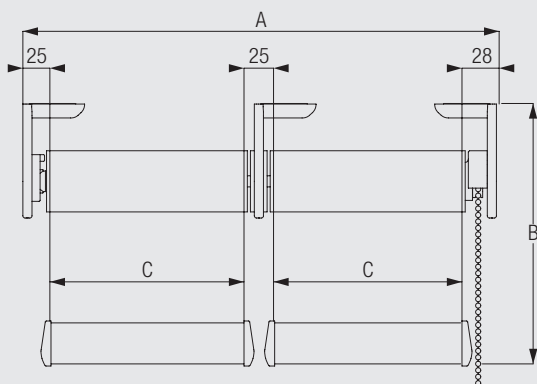
A: system width
B: system drop
C: fabric width

Attention: when installing the blind without bracket covers left and right, the total system width will be reduced by 6mm (2 x 3mm).



4830

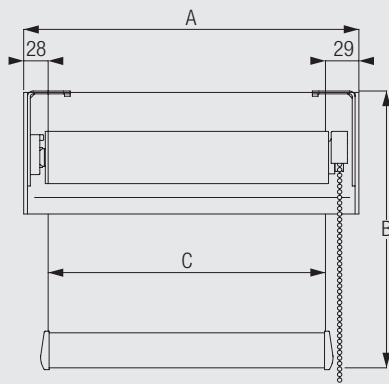
Side by side system (linked)



A: system width
B: system drop
C: fabric width

Attention: when installing the blind without bracket covers left and right, the total system width will be reduced by 6mm (2 x 3mm).

System with fascia 4702



A: system width (= standard width + 8mm)
 B: system drop
 C: fabric width

System Dimensions



Single system: 3.30m
 Side by system (linked): 6.60m



50cm



4m



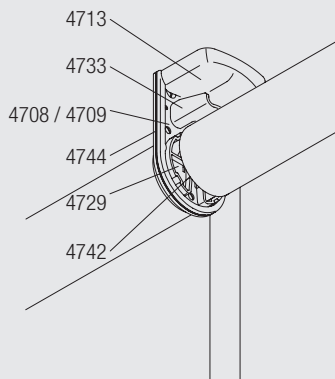
Single system: 10sqm
 Side by side system (linked): 10sqm



Single system: 7kg
 Side by side system (linked): 7kg

System Options

Side by side (linked) systems with connection bracket 4708 (face fix) and 4709 (top fix)

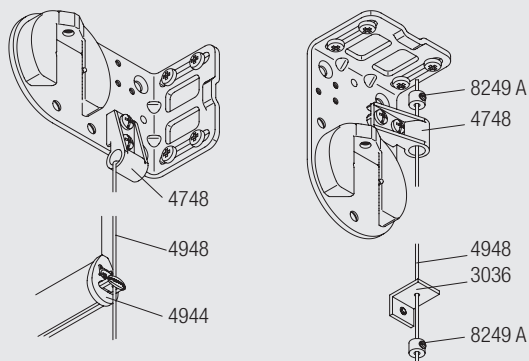


4708 Connection bracket for wall fixing
 4709 Connection bracket for ceiling fixing
 4713 Bracket cover
 4729 Connection flange (x2)
 4733 Endstop
 4742 Connection adapter (x2)
 4744 Connection bracket cover



4830

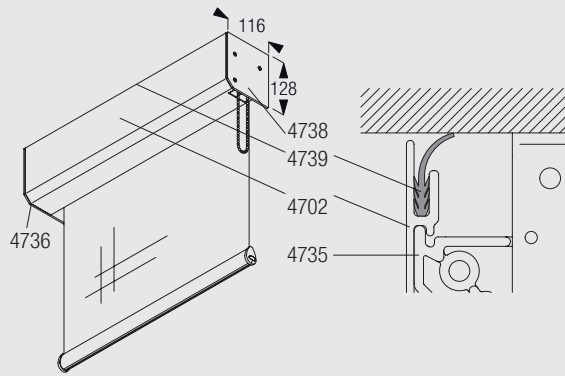
Side guides for stabilising blind systems and sloped applications (up to 15° incline)



8249A Fastener
 4944 Endcover
 4948 Wire rope (1.5mm)
 4748 Holder
 3036 Bracket

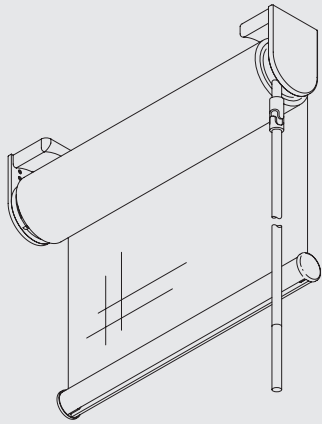
The bracket 3134 (with cover 3133) can be used as an alternative for 3036 to allow greater clearance.

Fascia cover 4702 for system 4830



- 4702 Profile
- 4739 Seal (optional)
- 4736 Cover left
- 4738 Cover right
- 4735 Fascia holder (x2)

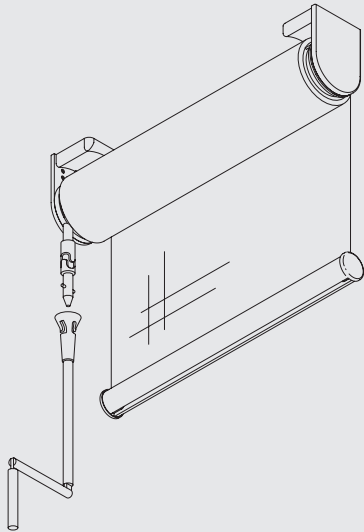
Crank operation for system 4830



With fixed crank 2747



4830



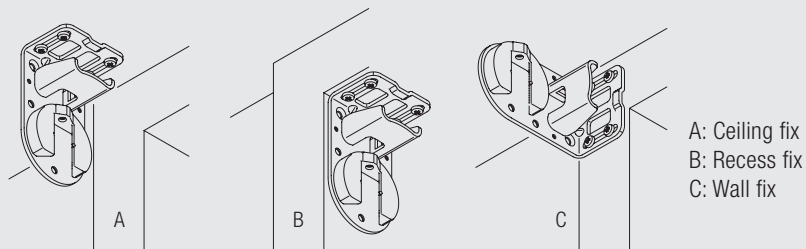
With detachable crank 2746

Fitting Information

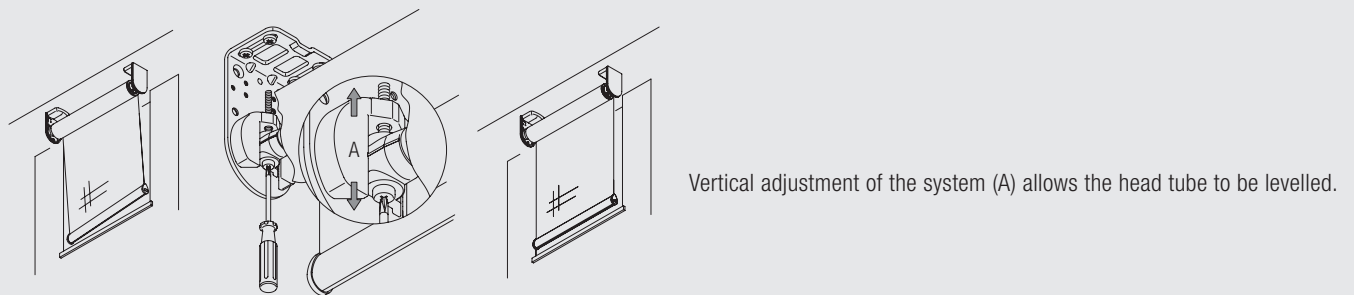
WARNING

Young children can be strangled by loops in pullcords, chains, tapes and inner cords that operate the product. To avoid strangulation and entanglement, keep cords out of the reach of young children. Cords may become wrapped around a child's neck. Move beds, cots and furniture away from window covering cords. Do not tie cords together. Make sure cords do not twist to create a loop.

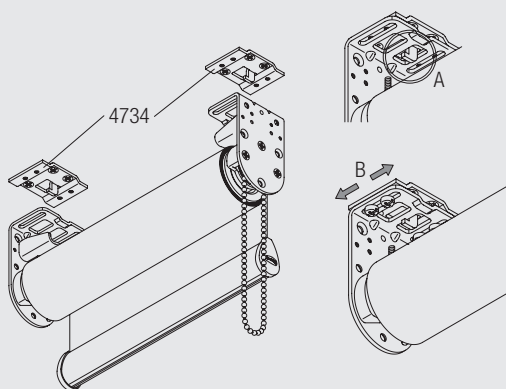
Bracket positioning and basic fitting features



Adjustable stainless steel bracket set (for vertical adjustments)



Hook-in installation plates

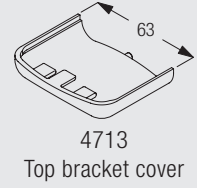
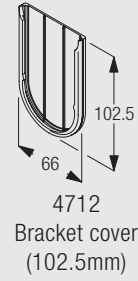
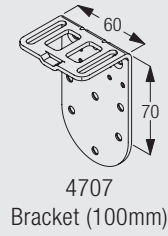
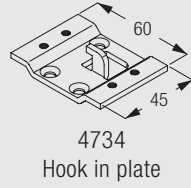
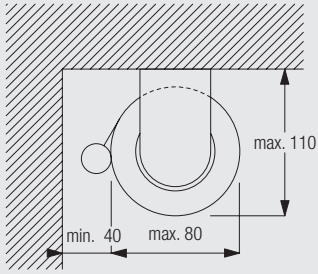


The brackets can be laterally adjusted by up to 15mm.

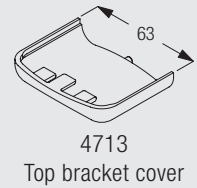
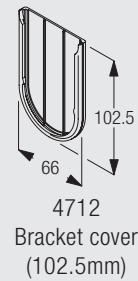
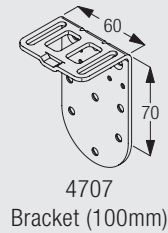
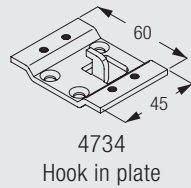
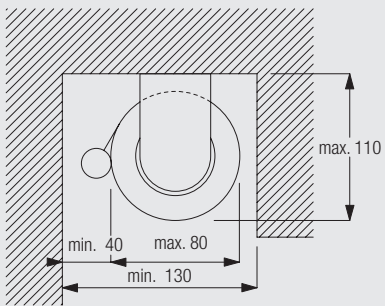
Pre-fitted hook-in plates (A) take the weight of the blind whilst adjusting the final positioning of the brackets.



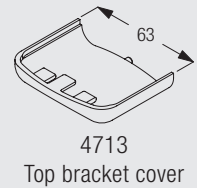
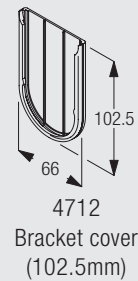
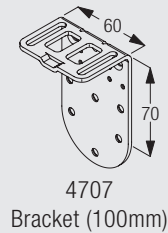
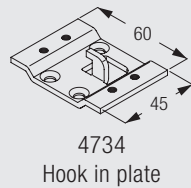
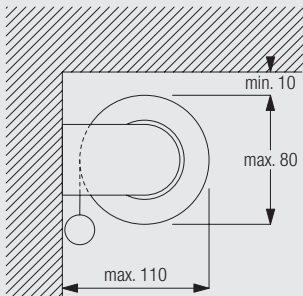
Ceiling fix



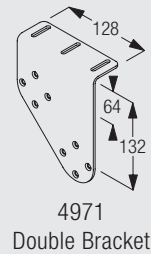
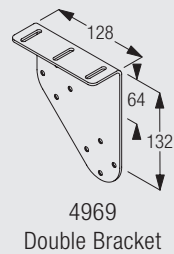
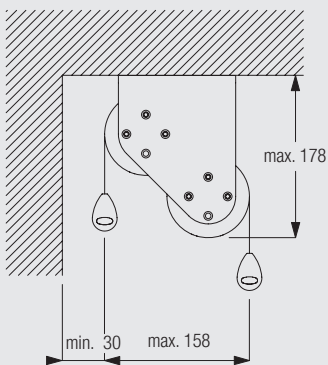
Recess fix



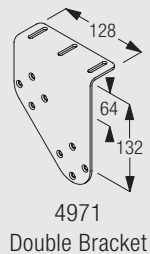
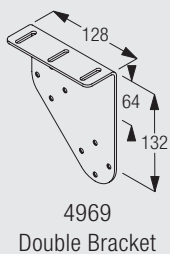
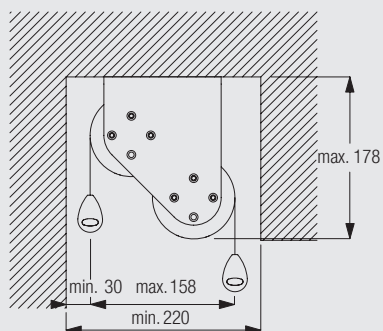
Wall fix



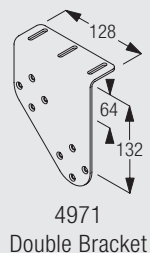
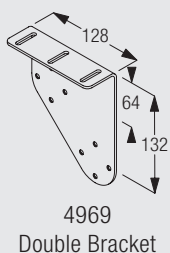
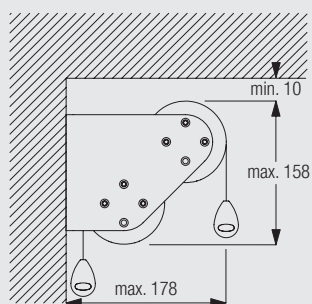
Ceiling fix with double brackets 4969 and 4971



Recess fix with double brackets 4969 and 4971



Wall fix with double brackets 4969 and 4971






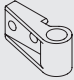


Standard Accessories

4701	Profile		4707	Bracket (100mm)	
4712	Bracket cover (102.5mm)		4713	Top bracket cover	
4734	Hook in plate		4845	Metal bead chain	
4903	Bottom bar		4944	Bottom bar endcover set	
10400	Safety Cord Retainer				

4830

Optional Accessories

2746	Detachable crank handle		2747	Fixed crank handle	
3036	Bracket (47mm)		3133	Bracket cover (60mm)	
3134	Extension bracket (60mm)		3799	Cord Tidy	
4702	Profile (fascia)		4708	Connection bracket double system (100mm wall fixing)	

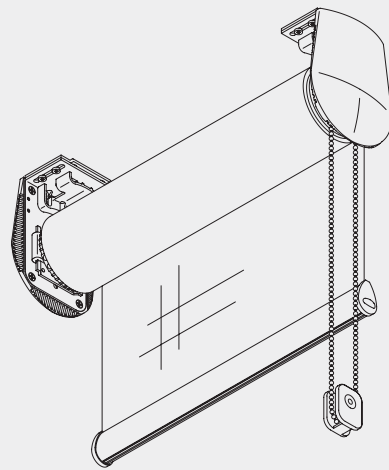
4709	Connection bracket double system (100mm ceiling fixing)	
4736	Cover left (fascia)	
4739	Seal (fascia)	
4748	Holder	
4969	Double Bracket	
8249A	Fastener	

4735	Holder (fascia)	
4738	Cover right (fascia)	
4744	Connection bracket cover	
4948	Wire rope (ø 1,5mm)	
4971	Double Bracket	



Chain Operated Roller Blind System

Silent Gliss[®] 4840



Product Information

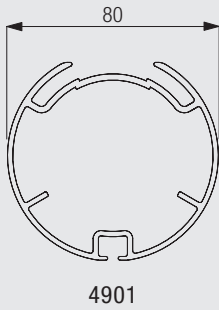
- Very heavy duty chain operated Roller blind system (right or left hand operation)
- Ideal for contract use
- With the Silent Gliss 4840, extremely large windows can be covered by one single chain-operated system
- The unique planetary gear with integrated brake ensures a smooth and light operation and the blind stops instantly with no slippage
- Patented Silent Gliss Quick Twist permits easy on-site adjustments of the headrail to eliminate rolling off caused by minor fabric problems
- Adjustable stainless steel bracket set: the vertical adjustment facility allows the fabric to be easily aligned with the window frame or the system with the ceiling on-site using a screwdriver only
- Pre-fitted hook-on stainless steel plates take the weight of the blind during final positioning of the brackets. These are each laterally adjustable by up to 18mm
- The blind is then conveniently fitted from below (especially important in a blind box situation)
- With the above refinements the fitting and fine-tuning of these substantial blinds is reduced to a minimum and perfect results are guaranteed
- Metal bead chain
- Automatic end stop
- Optional side-guide wires with easy fitting and tensioning
- Bracket covers for neater appearance outside recess



4840

Profile and Specification Information

Profile 4901 (80mm tube diameter)

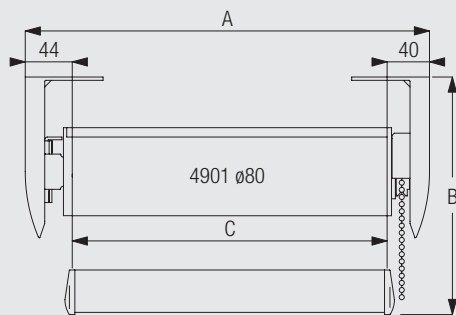


Specification Guide - download from www.silentgliss.co.uk (password required).

Silent Gliss 4840 chain operated roller blind system for very heavy duty applications. Assembled complete with anodised aluminium headrail. Smooth light operation thanks to the planetary gear and no slippage due to the integrated brake. Incorporates Silent Gliss patented Quick Twist for easy on-site adjustment of the headrail to prevent fabric roll off. Fix to wall/ceiling/inside recess with stainless steel bracket combination set 4944 incorporating hook on plates to take weight of blind during installation. Optional bracket covers. Fabrics to be selected from Silent Gliss range.

How to Measure

Measurement information with profile 4901



A: system width
B: system drop
C: fabric width

Attention: when installing the blind without bracket covers left and right the total system width will be reduced by 30mm (2 x 15mm)

System measures are indicated with bracket covers. Please refer to Max. Surface Area Chart for exact total maximum measures of system.



4840

System Dimensions



5m



50cm



6m


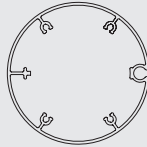


15sqm



12.5kg

Maximum surface area chart

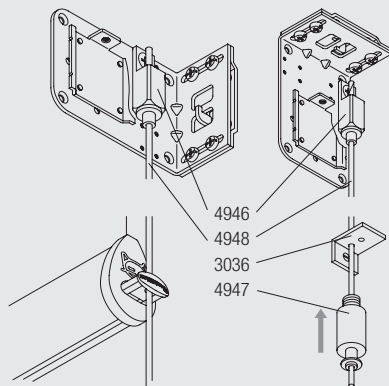
		A →							
		2 m	2.5 m	3 m	3.5 m	4 m	4.5 m	5 m	
B ↓	2 m	●	●	●	●	○	○	○	 ● 4901 (ø 80 mm)
	2.5 m	●	●	●	●	○	○	○	
	3 m	●	●	●	●	○	○	○	
	3.5 m	●	●	●	●	○			 ○ 4957 (ø 110 mm)
	4 m	●	●	●	●				
	4.5 m	●	●	●					
	5 m	●	●	●					
	5.5 m	●	●		max. 15 m ²				
6 m	●	●							

Sizes over 3.95m are achieved using a larger barrel and CRANK operation. Please enquire at Silent Gliss for further information.

(A: Width / B: Height) The maximum surface always depends on available fabric widths and fabric weight.

System Options

Side guides for stabilising blind systems and sloped applications (up to 15° incline)



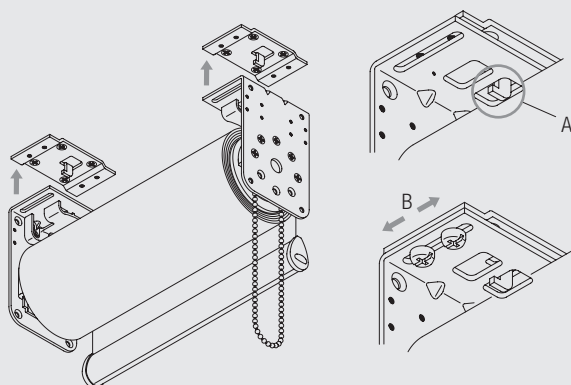
- 4946 Top fastener
- 4948 Wire rope (1.5mm)
- 3036 Bracket
- 4947 Bottom fastener

The bracket 3134 (with cover 3133) can be used as an alternative to 3036 for greater clearance.



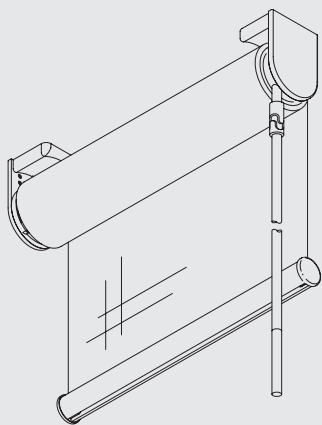
4840

Hook-in Installation Plates



Specially designed pre-fitted hook-in plates 4972 (A) take the weight of the blind whilst the fitters carry out final detailed positioning (B) of the brackets. The brackets can be sideways adjusted by up to 18mm. This unique feature is very well received by all fitters around the world.

Crank operated blind



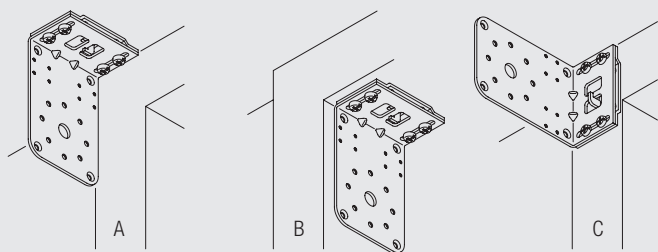
Systems over 3.95m wide are achieved using a larger barrel and crank operation. Please enquire at Silent Gliss for further information.

Fitting Information

WARNING

Young children can be strangled by loops in pullcords, chains, tapes and inner cords that operate the product. To avoid strangulation and entanglement, keep cords out of the reach of young children. Cords may become wrapped around a child's neck. Move beds, cots and furniture away from window covering cords. Do not tie cords together. Make sure cords do not twist to create a loop.

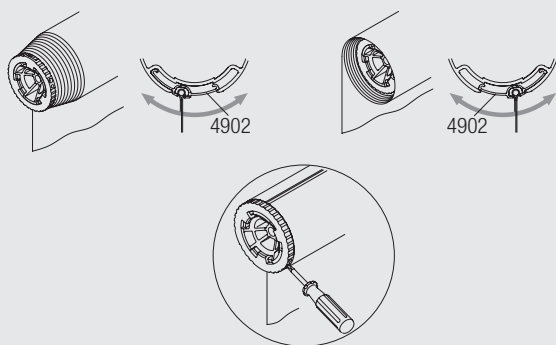
Bracket positioning and basic fitting features



A: Ceiling fix
B: Recess fix
C: Wall fix

4840

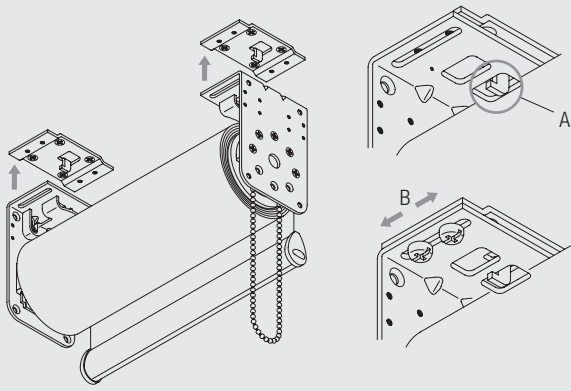
Silent Gliss Quick Twist (patented)



Adjustment feature for minimising fabric roll off.

Patented Silent Gliss Quick Twist permits easy on-site adjustments of the headrail to minimise fabric roll off (only available on systems up to 4m width, using the 80mm tube 4901).

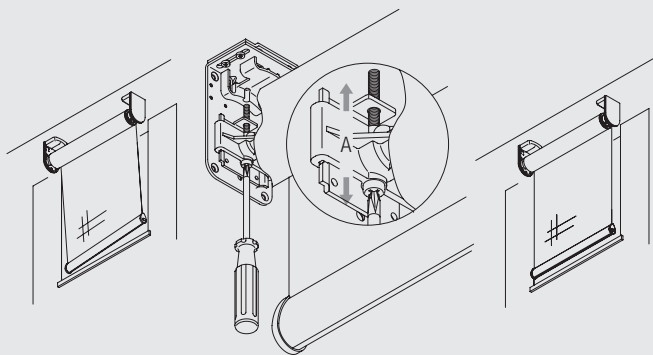
Hook-in installation plates



The brackets can be laterally adjusted by up to 18mm.

Specially designed pre-fitted hook-in plates (A) take the weight of the blind during final positioning of the brackets (B).

Adjustable stainless steel bracket set (for vertical adjustments)

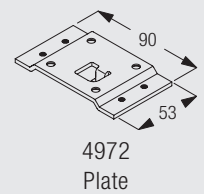
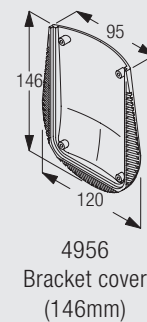
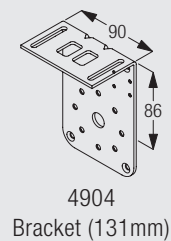
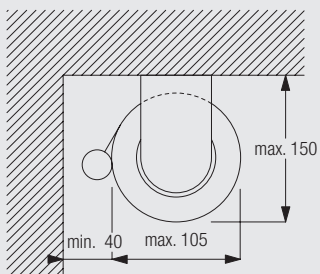


Vertical adjustment of the system (A) allows the head tube to be levelled.

Fitting Options

CAD download from www.silentgliss.co.uk (password required).

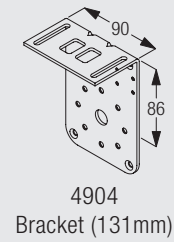
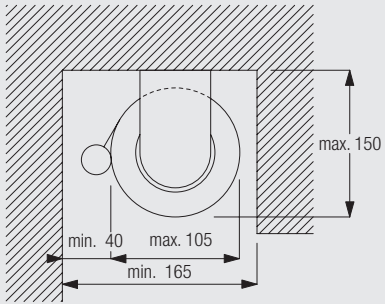
Ceiling fix



4840

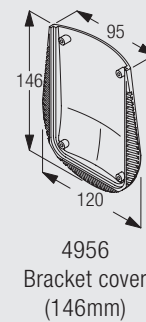
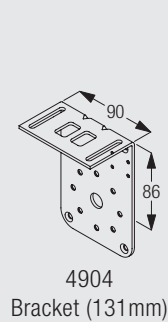
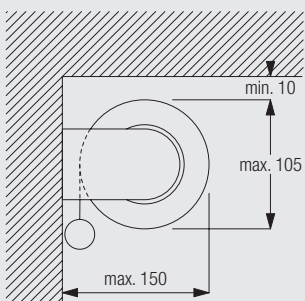
Please note: The above key fitting parts are part of bracket set 4949.

Recess fix



Please note: the above key fitting parts are part of bracket set 4949.

Wall fix








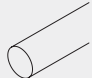

4966
Special screw

All these measures are based on the maximum system dimensions using the 80mm tube and a fabric thickness of 0.5mm


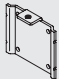

Standard Accessories



4840

4901	Profile		4902	Profile	
4903	Bottom bar		4943	Acrylic rod (ø4mm)	
4956	Bracket cover (146mm)		4963	Acrylic rod (ø6mm)	
10400	Safety Cord Retainer				

Sets

4949	Bracket set, containing	4904	Bracket (131mm)	2	
		4906	Plate	2	
		4966	Special screw	1	

Optional Accessories

3036 Bracket (47mm)



3133 Bracket cover (60mm)



3134 Extension bracket (60mm)



4946 Wire rope top fastener



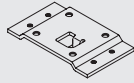
4947 Wire rope bottom fastener



4948 Wire rope (ø 1,5mm)

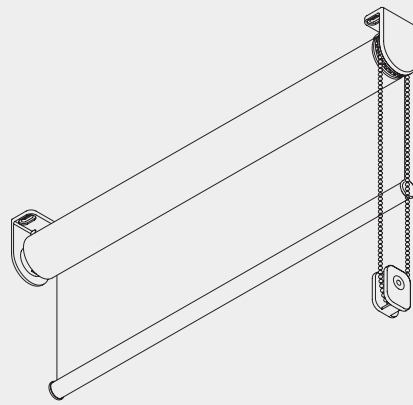


4972 Plate



Chain Operated Roller Blind System

Silent Gliss® 4907



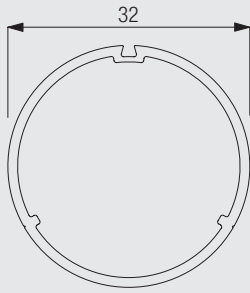
Product Information

- Stylish but functional chain operated roller blind system for contract applications.
- Smooth operation with stainless steel bead chain.
- The blind can be stopped at any given position.
- Elegant and identical (left/right) full metal brackets powder coated in white.
- Easy installation allowing the operation side to be changed.
- All parts are made of high quality materials and combine elegant appearance and high durability.
- Slim, elegant bottom bar in white or grey.



4907

Profile and Bending Information



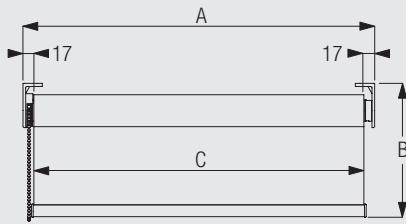
4227



Cannot be bent

How to Measure

Measurement information



A: System width
B: System drop
C: Fabric width

System Dimensions



1.8m



50cm



2.8m



5m²



2.5kg



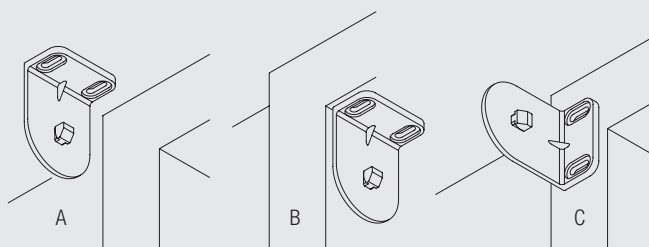
4907

Fitting Information

WARNING

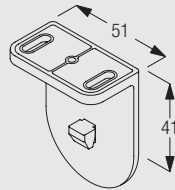
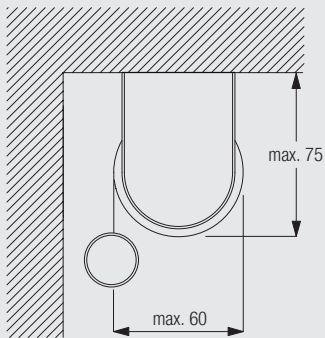
Young children can be strangled by loops in pullcords, chains, tapes and inner cords that operate the product. To avoid strangulation and entanglement, keep cords out of the reach of young children. Cords may become wrapped around a child's neck. Move beds, cots and furniture away from window covering cords. Do not tie cords together. Make sure cords do not twist to create a loop.

Bracket positioning and basic fitting features



A: Ceiling Fixing
B: Recess Fixing
C: Wall Fixing

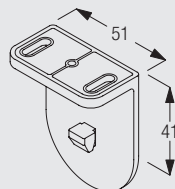
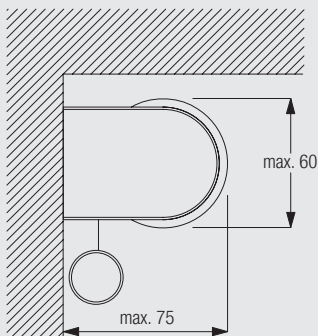
Ceiling fitting



10873
Bracket (white)

All these measures are based on the maximum system dimensions.

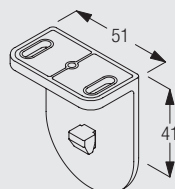
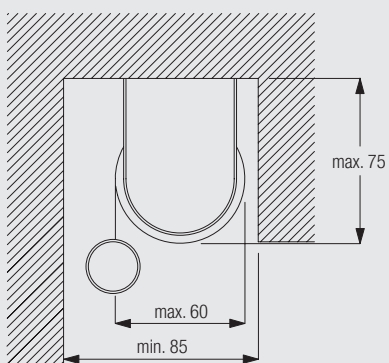
Wall fitting



10873
Bracket (white)

All these measures are based on the maximum system dimensions.

Recess fitting



10873
Bracket (white)

All these measures are based on the maximum system dimensions.



Standard Accessories

4227 Profile



4845 Metal bead chain



10400 Safety Cord Retainer



10872 Profile for bottom bar (white or grey)



10873 Bracket (white)



10874 End cover for bottom bar (white or grey)



10880 Chain drive 32 mm

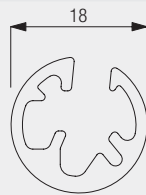


10885 Click support

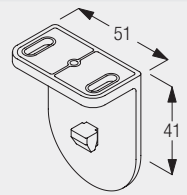


Useful Measures

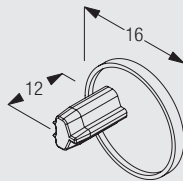
10872 Profile for bottom bar (white or grey)



10873 Bracket (white)



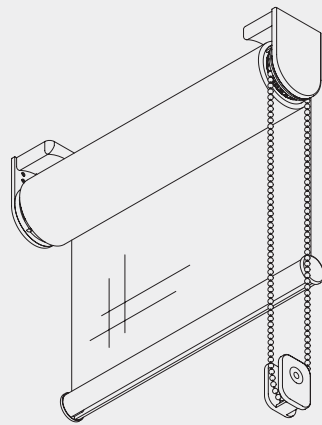
10874 End cover for bottom bar (white or grey)



4907

Chain Operated Roller Blind System

Silent Gliss® 4910



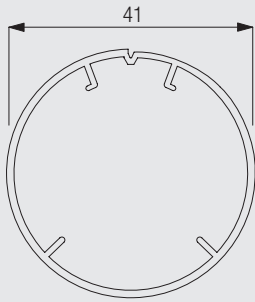
Product Information

- Silent and smooth chain operated roller blind system for residential and contract applications
- Effortless and elegant operation with stainless steel bead chain
- Blind can be stopped at any given position
- Easy ceiling, wall or recess fix
- Optional continuous installation profile in white as standard with easy click in brackets for fast fixing
- Optional adjustable end stop allows upper or lower limit setting after installation
- Side-by-side version with centre support bracket and minimal light gap
- Side guide option available
- Choice of bottom bar designs
- Optional metal design brackets with or without continuous headrail
- Optional stop controller mechanism halts the blind at any given position - ideal for very tall windows or contracts where all blinds must be at the same level from the outside
- Optional integral Child Safety Device



4910

Profile and Specification Information



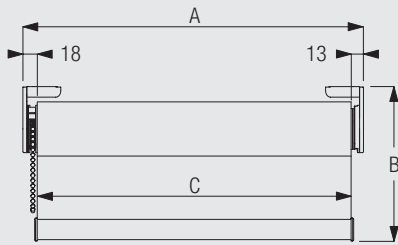
10531

Specification Guide - download from www.silentgliss.co.uk (password required).

Silent Gliss 4910 chain operated roller blind system. Fixed to wall/ceiling/inside recess with 3044 clamp or optional 10539 click bracket and installation profile 10534 and endcovers 10574. Aluminium bottom bar 4221 in white/silver as standard (other shape options available). Optional adjustable endstop allows upper or lower limit setting. Fabric to be selected from Silent Gliss range.

How to Measure

Single system



A: system width (inside recess includes bracket covers)
 B: system drop
 C: fabric width

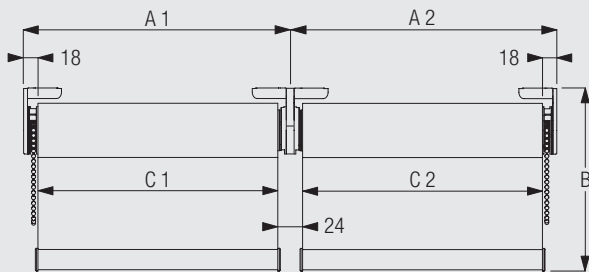
Please note:

- OUTSIDE recess does not include bracket covers, please add 4mm.
- measurements differ when side-guide option is used.



4910

Side-by-side systems (unconnected) - not available with design bracket option



A: system width (inside recess includes bracket covers)
 B: system drop
 C: fabric width

Please note:

- OUTSIDE recess does not include bracket covers, please add 4mm.
- measurements differ when side-guide option is used.

System Dimensions



Single System: 2.4m



Single System: 60cm



3 m



7.2m²



3kg

Maximum system width to drop ratio should not exceed 3.5:1

Please note: maximum system width/drop also depends on the fabric type.

Maximum system drop

Wall fitting:

Fabric thickness	mm	0.15	0.20	0.25	0.30	0.35	0.40	0.45	0.50	0.55	0.60	0.65	0.70	0.75	0.80
Max. system drop	cm	300	300	300	300	300	300	300	300	300	290	270	250	230	220

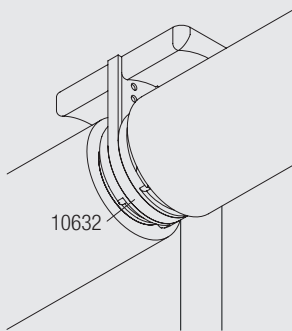
Ceiling fitting:

Fabric thickness	mm	0.15	0.20	0.25	0.30	0.35	0.40	0.45	0.50	0.55	0.60	0.65	0.70	0.75	0.80
Max. system drop	cm	300	300	300	300	300	300	300	300	300	300	300	300	300	280

To obtain fabric thickness information for a specific Silent Gliss fabric, please refer to the Silent Gliss fabric binder or contact Silent Gliss.

System Options

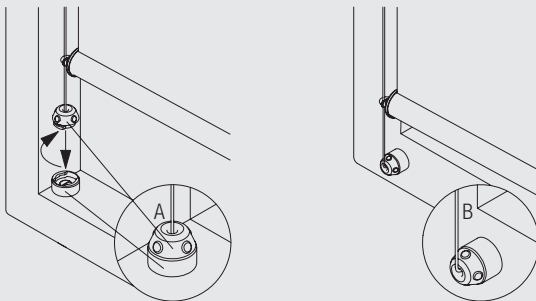
Side-by-side fixing of two systems



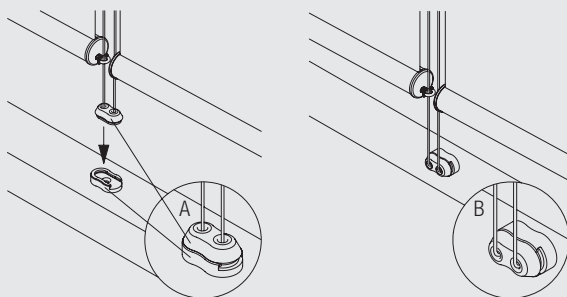
10632 Intermediate cover

Side guides for stabilising blind system and sloped applications (up to 15° incline)

Single system



Double system

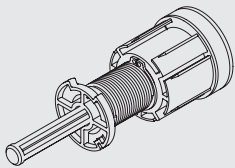


A: Fitting of side guides inside window frame
B: Fitting of side guides onto front of window frame



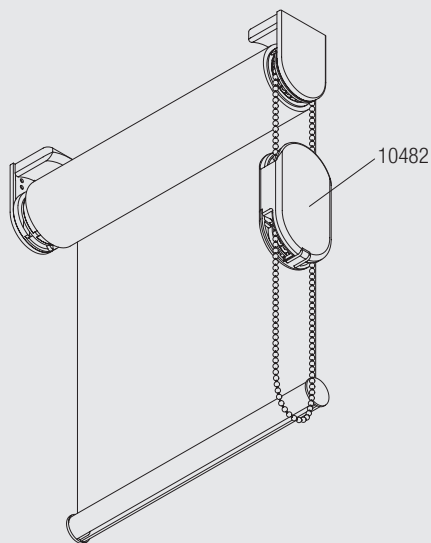
4910

Adjustable end stop



Optional adjustable end stop allows upper or lower limit setting after installation to avoid bottom bar hitting window ledge.

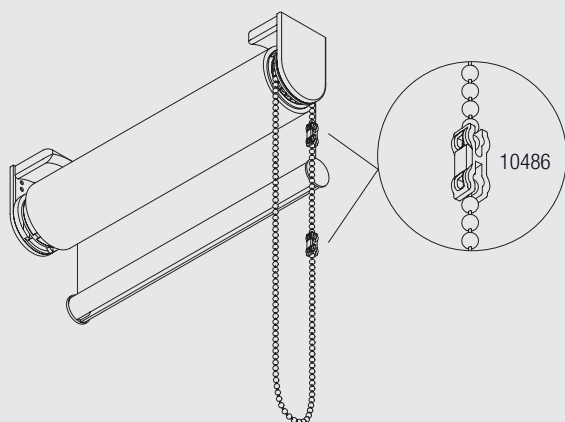
Child safety device



The child safety device SG 10482 releases the chain should the pulling force exceed 6kg.

Please note: System with child safety device has to be installed so chain ends at least 60 cm above floor according to EN 13120.

Chain break connector



The chain break connector SG 10486 releases the chain should the pulling force exceed 6kg.

Please note: Ref: EN13120 the system with chain break connector has to be installed so chain ends at least 60cm above floor.

If chain is pulled harshly, the chain break connector may release so please consider accessibility before selecting this option!

Stop Controller

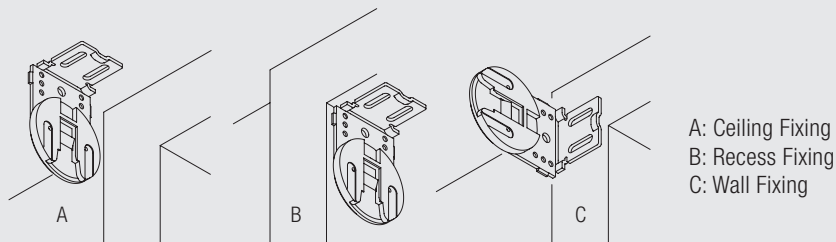
The stop controller mechanism halts the blind at any given position - ideal for very tall windows or contracts where all blinds must be at the same level from the outside

Fitting Information

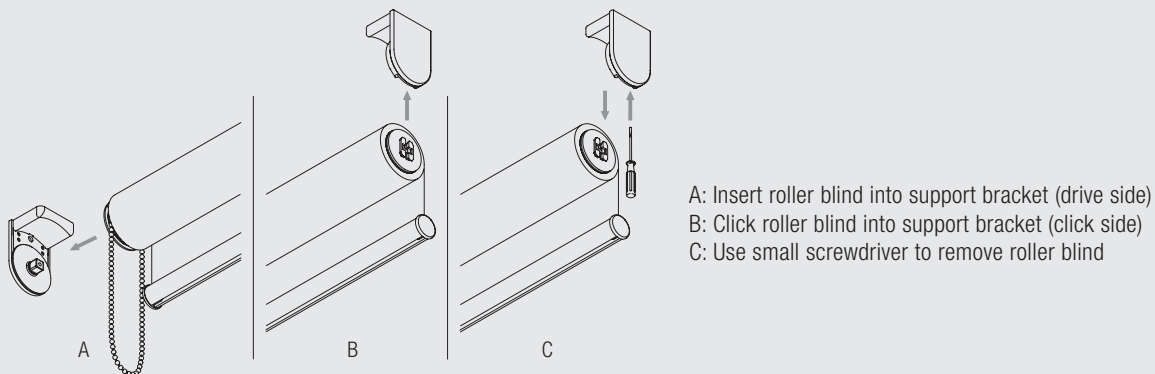
WARNING

Young children can be strangled by loops in pullcords, chains, tapes and inner cords that operate the product. To avoid strangulation and entanglement, keep cords out of the reach of young children. Cords may become wrapped around a child's neck. Move beds, cots and furniture away from window covering cords. Do not tie cords together. Make sure cords do not twist to create a loop.

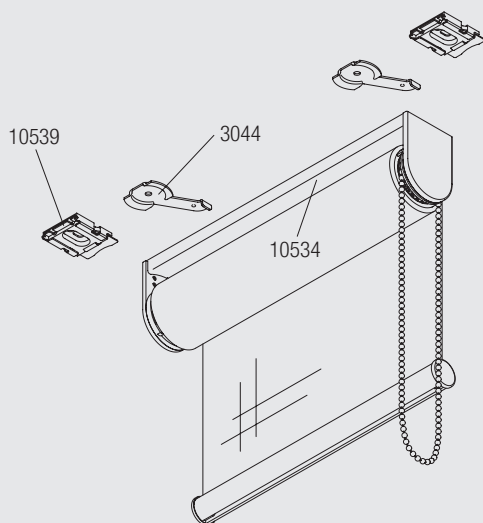
Positioning of system



Easy loading and removal of the blind



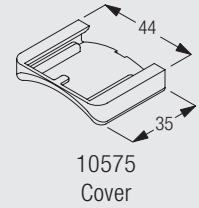
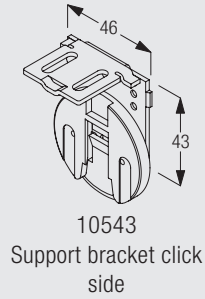
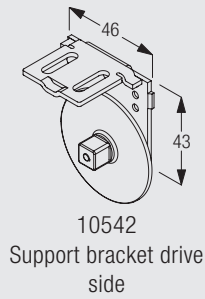
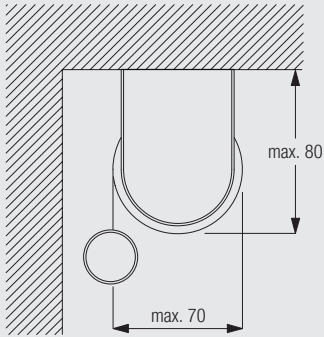
Alternative fixing with continuous installation profile (optional)



System can be pre-mounted on continuous installation profile 10534 for fast fitting on site. Just mount the system with pre-fixed clamps 3044 or click brackets 10539.

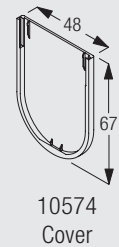
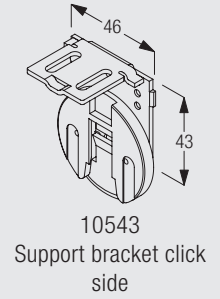
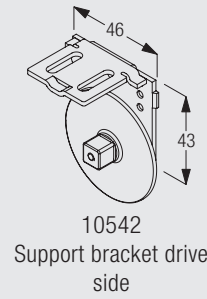
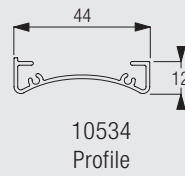
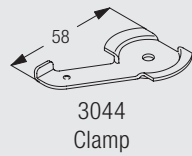
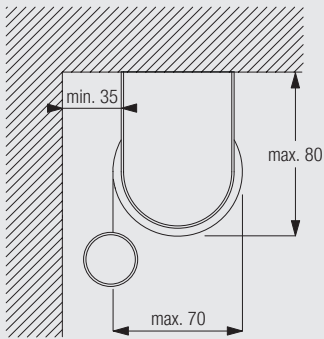


Ceiling fix with brackets



All measurements are based on the maximum system dimensions.

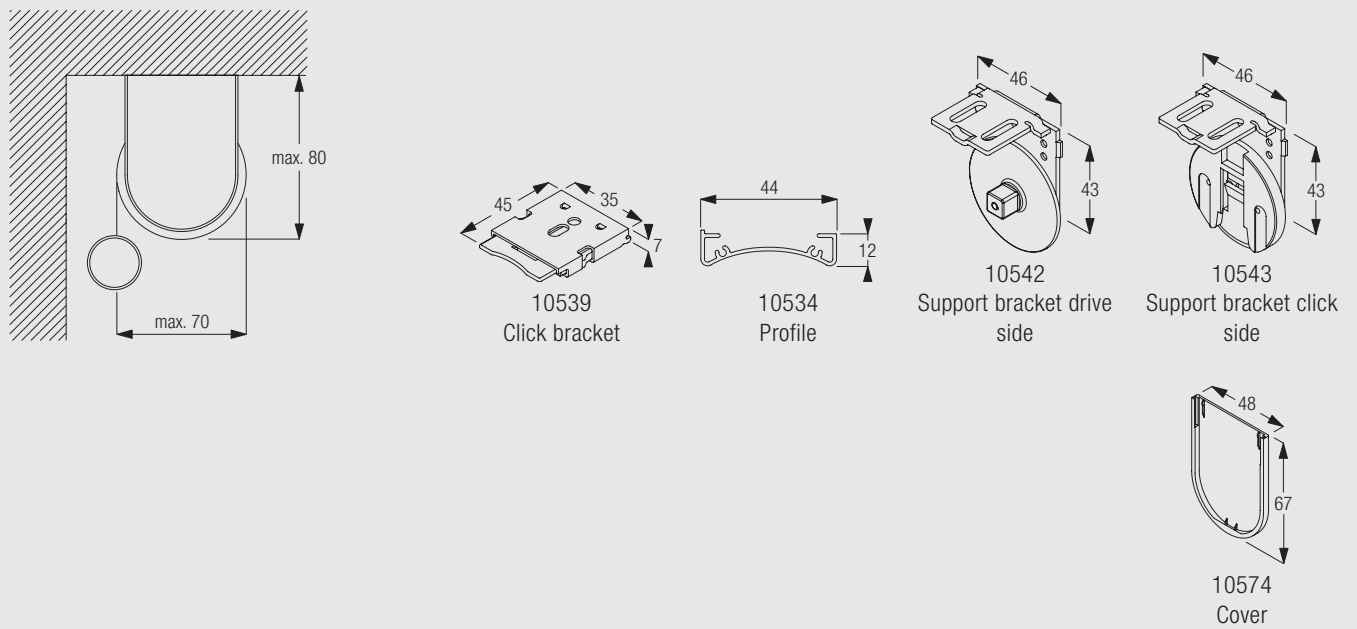
Ceiling fix with optional installation profile and clamps 3044



4910

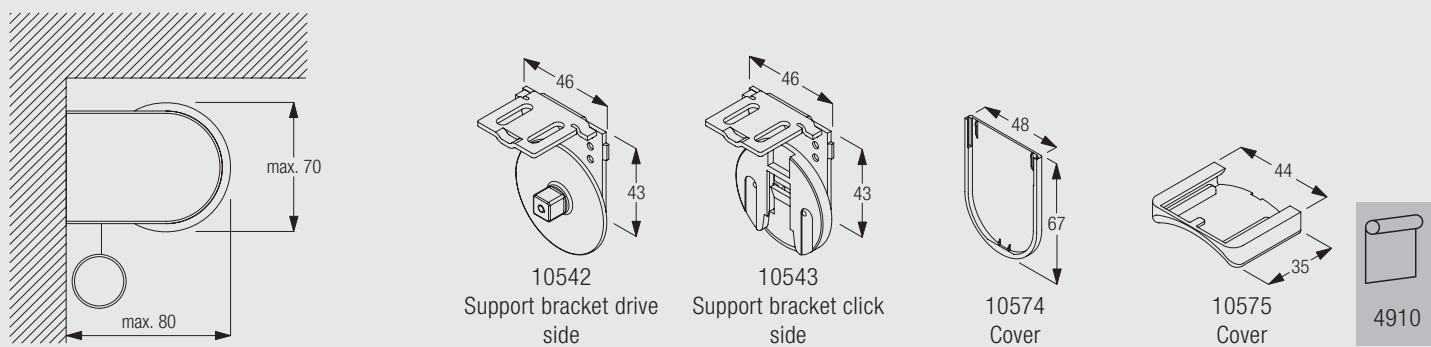
All measurements are based on the maximum system dimensions.

Ceiling fix with optional installation profile and click bracket 10539



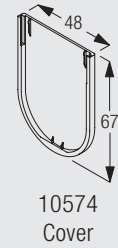
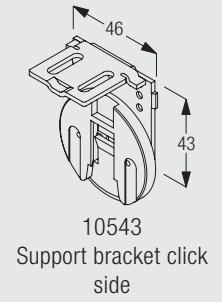
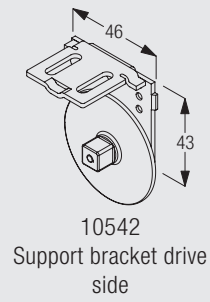
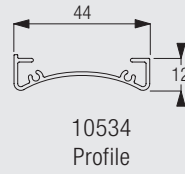
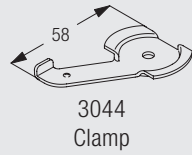
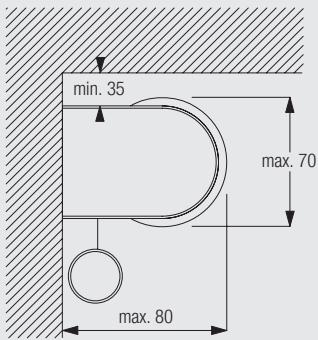
All these measures are based on the maximum system dimensions.

Wall fix with brackets



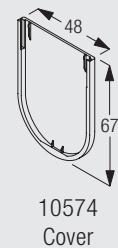
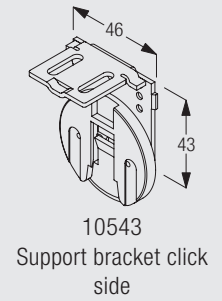
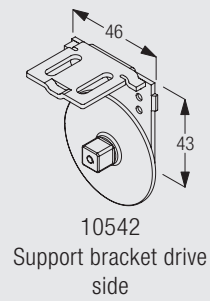
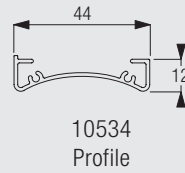
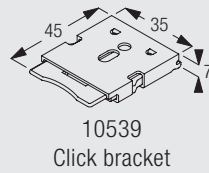
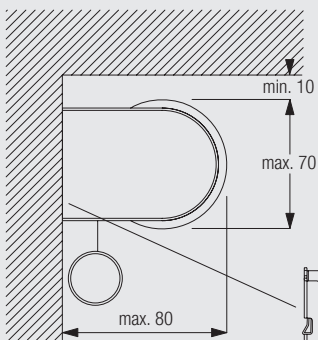
All measurements are based on the maximum system dimensions.

Wall fix with optional installation profile and clamps 3044



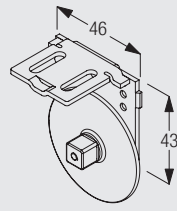
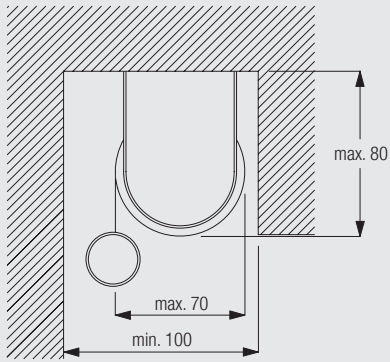
All measurements are based on the maximum system dimensions.

Wall fix with optional installation profile and click bracket 10539

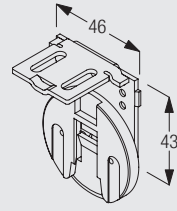


All measurements are based on the maximum system dimensions.

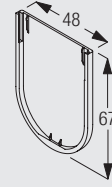
Recess fix with brackets



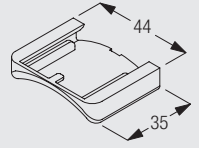
10542
Support bracket drive
side



10543
Support bracket click
side



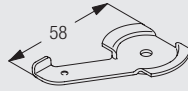
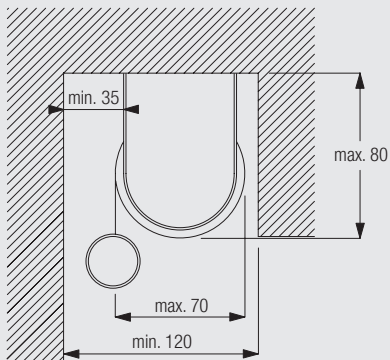
10574
Cover



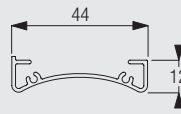
10575
Cover

All measurements are based on the maximum system dimensions.

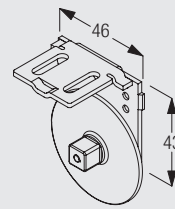
Recess fix with optional installation profile and clamps 3044



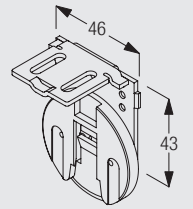
3044
Clamp



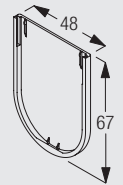
10534
Profile



10542
Support bracket drive
side



10543
Support bracket click
side



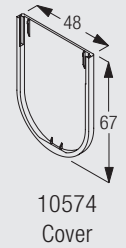
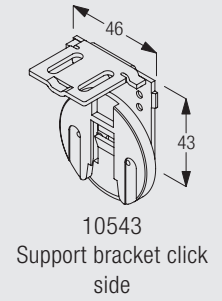
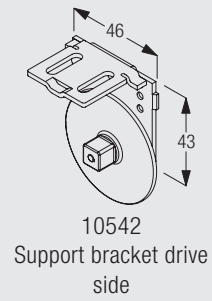
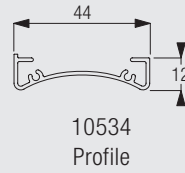
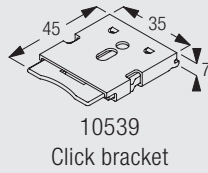
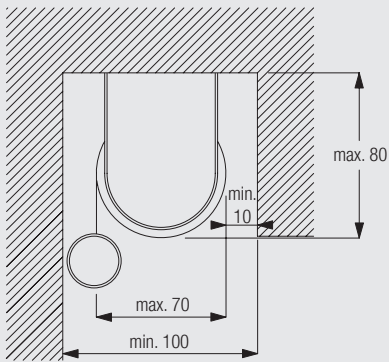
10574
Cover



4910

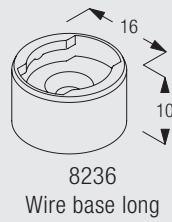
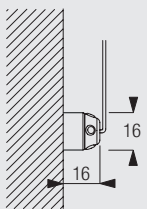
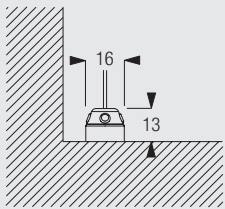
All measurements are based on the maximum system dimensions.

Recess fix with optional installation profile and click bracket 10539

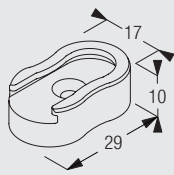
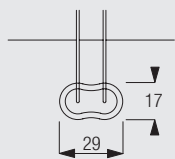
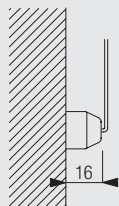
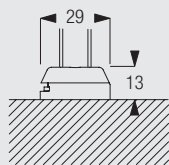


All measurements are based on the maximum system dimensions.

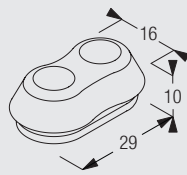
Fitting with optional side guides



Fitting with optional side guides (side-by-side installation)



10669
Double base long
(side guide)



10701
Double wire holder
(side guide)

Standard Accessories

4221 Bottom bar



10530 Stainless steel bead chain (ø 4mm)



10542 Support bracket drive side



10574 Cover



10639 End cover round



10400 Safety Cord Retainer



10531 Profile



10543 Support bracket click side



10575 Cover



Optional Accessories

3044 Clamp



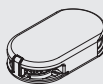
8236 Wire base long



8249 Locking ring



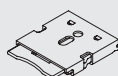
10482 Child Safety device - 4mm Metal Bead Chain



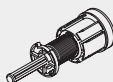
10534 Profile



10539 Click bracket



10560 End stop right



8235 Wire base short



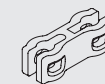
8237 Wire holder



10387 Cover for metal bracket



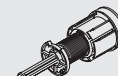
10486 Chain break connector set (incl. chain, chain stop & warning booklet)



10535 Design end cover round (metal)







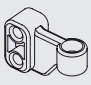




10559 End stop left




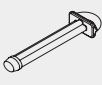
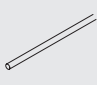

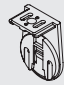
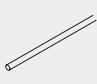



10632 Intermediate cover



4910


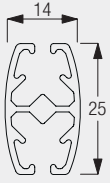
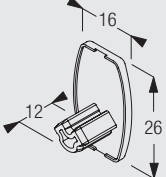
10633	Bottom bar rectangle	
10635	End cover rectangle	
10637	End cover oval	
10640	End cover round (side guide)	
10642	Wire holder (side guide)	
10669	Double base long (side guide)	
10701	Double wire holder (side guide)	
10704	Design bracket drive side	
10707	Cushion	

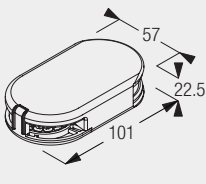
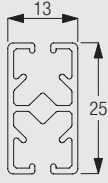
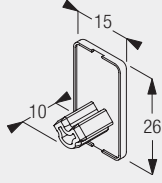
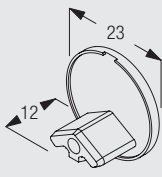
10634	Bottom bar oval	
10636	End cover rectangle (side guide)	
10638	End cover oval (side guide)	
10641	Eyelet (side guide)	
10643	Wire \varnothing 1.3mm x 4.2m (side guide)	
10673	Double base short (side guide)	
10703	Design bracket click side	
10706	Wire \varnothing 1.3mm x 2.6m (side guide)	
10709	Chain stop	

Useful Measurements

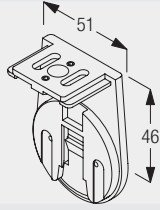


4910

4221	Bottom bar	
10632	Intermediate cover	
10634	Bottom bar oval	
10637	End cover oval	

10482	Child Safety device - 4mm Metal Bead Chain	
10633	Bottom bar rectangle	
10635	End cover rectangle	
10639	End cover round	

10703 Design bracket click side



10704 Design bracket drive side

