



Louvolite 'Blockout' Roller Cassette System

- A robust, fully integrated system using a roller blind cassette and side channels with optional base channel.
- Ideal for meeting rooms, hotel rooms and hospitals where blackout is required.
- The Louvolite Blockout System incorporates the Louvolite Slide-lock® roller system technology for proven long lasting performance.
- Suitable for use with Louvolite's System 32®, System 40® and System 45® Slide-lock® Roller Blind systems with the appropriate Louvolite cassette systems.
- Designed and produced in the UK using the highest quality materials.
- An ac mains motorised option is available.
- All Louvolite systems are 10 year life cycle tested to guarantee reliability and durability.
- Designed for blinds up to 3.5m wide to cover most window applications.



CI/SIB 1976 reference by SIB Agency		
(76.7)	X	

Hardware Specification

Louvolite 'Blockout' System - Manual Operation

Blockout blinds should be manufactured using either the Louvolite System 32®, System 40® or System 45® roller blind mechanism with specifically designed grooved aluminium tubing. The side control units should be manufactured in the UK and made from glass filled Nylon 6, with an acetal sprocket and sprocket guard and include a locking spring.

Depending on the size of blind required, these should be housed within a Louvolite System 32® Closed Cassette, a System 32®/40® Hybrid Cassette or a System 40®/45® Closed Cassette, which are white powder coated aluminium. The side and bottom channel should be white powder coated aluminium. In the channel will be PVC brush.

The specified fabrics should be formed into and held into the 32mm, 40mm or 45mm tube with fabric locking tape.

The operating chain should be No.10 size in metal or plastic to ensure reliable performance. The brackets used should be made from mild steel, zinc plated and powder coated and be suitable for top or face fixing.

A spring plunger end mechanism should be located at the opposite end to the control mechanism.

Performance

To ensure a positive performance, all Louvolite roller system units are manufactured in the UK using prime quality plastic materials and a dedicated steel locking spring. The sidewinders will lock into the bracket with the unique bracket securing pin for safety after installation.

Louvolite systems are 10 year life cycle tested to ensure long

lasting performance. The units will accept both metal or plastic rotation chain providing a smooth operation of the blinds.

Operation

Operation is with No.10 metal or No.10 plastic rotation chain to raise and lower the blinds. All blinds must be compliant with the child safety elements of BS EN13120. Where children maybe present, the chain must be fitted with easybreak connectors or cord tidy devices.

Louvolite 'Blockout' System - Motorised

Motorised blackout blinds should be manufactured using the Louvolite lithium motors (code ref: R1710) located into specifically designed 35mm grooved aluminium tubing.

Depending on the size of blind required, these should

be housed within a Louvolite a System 32®/40® Hybrid Cassette or a System 40®/45® Closed Cassette, which are white powder coated aluminium. The side and bottom channel should be white powder coated aluminium. In the channel will be PVC brush.

For hard wired (ac mains) use Louvolite 25mm motor (code ref: R1725) for motorised 35® & motorised 40® systems.

The specified fabrics should be formed into and held into the 35mm, 40mm or 45mm tube with fabric locking tape.

Operation

Motorised blackout blinds will be operated using either a 5 channel or 14 channel remote control units, which can operate up to 14 blinds. Motorised blinds are child safe.

Bottom Bar

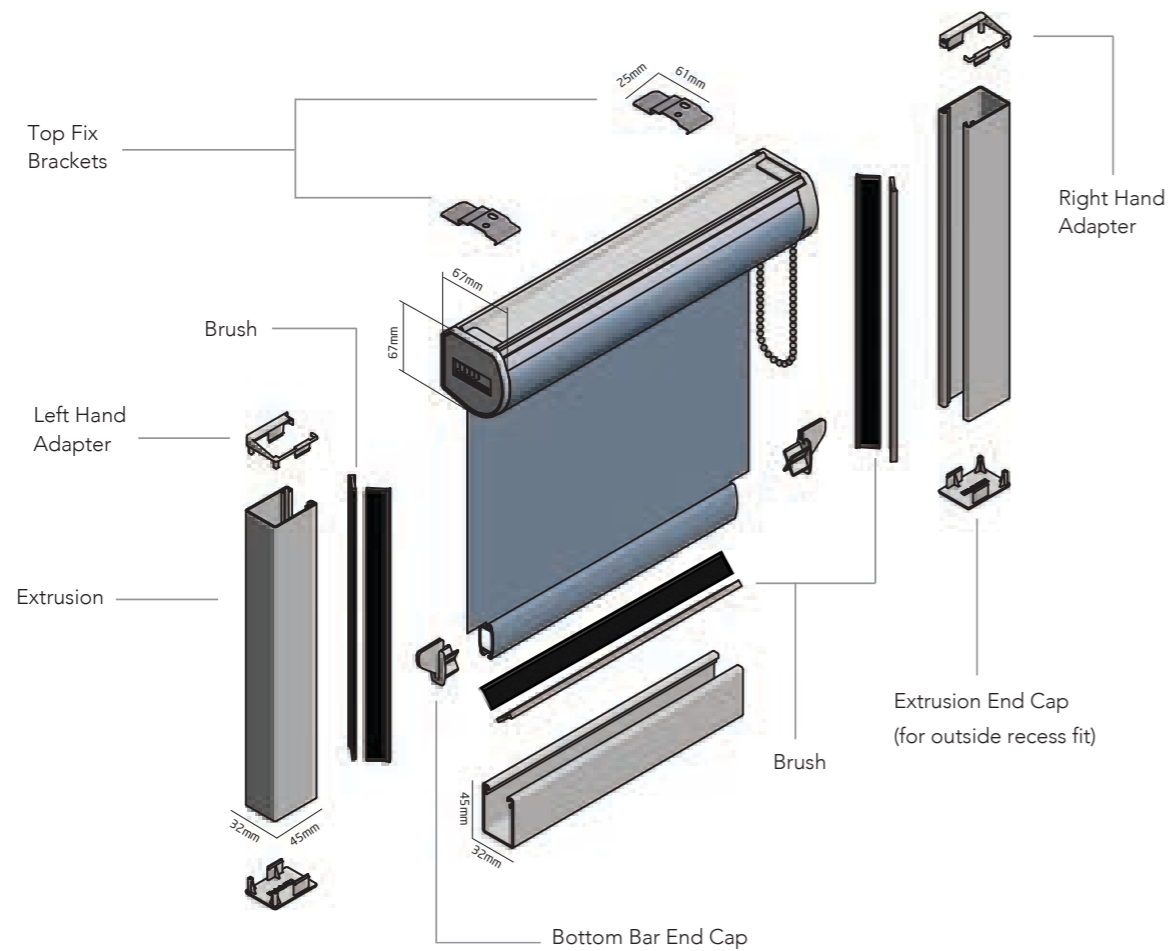
The bottom bar should be aluminium and covered with fabric and have specifically designed end caps to slide along between the brushes housed within the side channels.

Maintenance

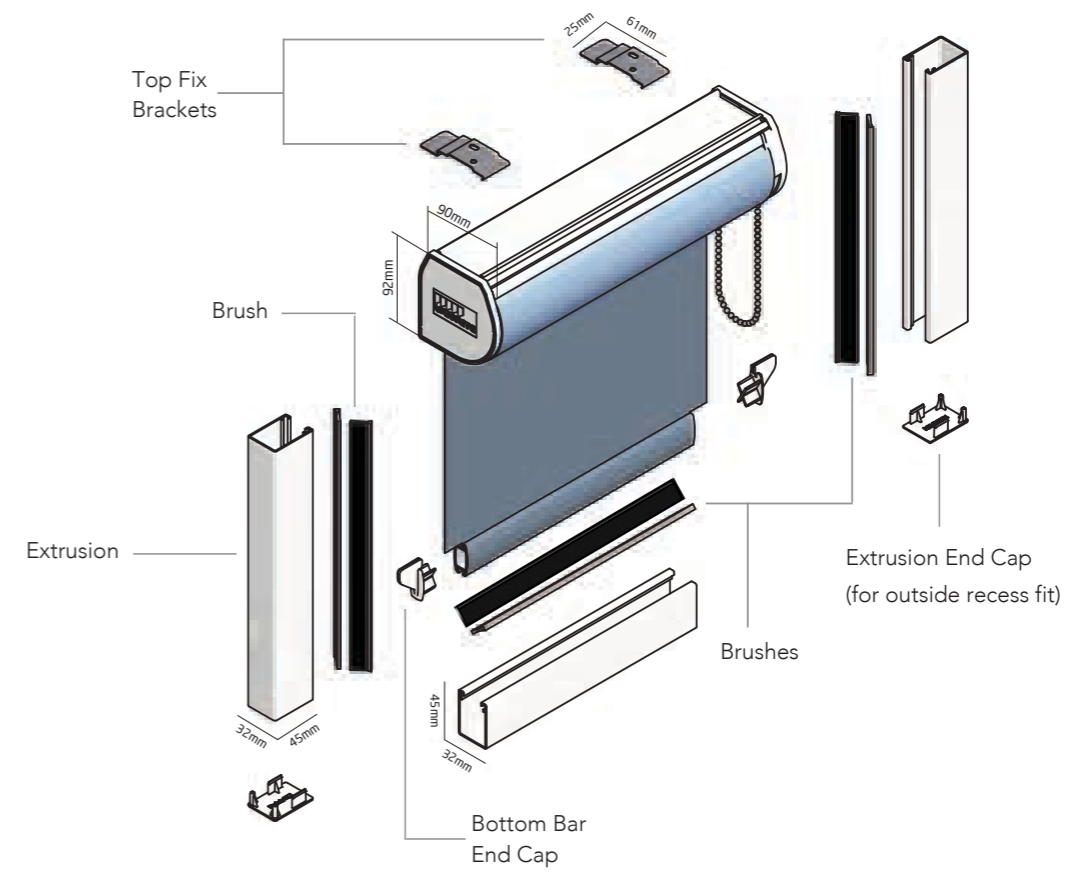
All of the components are manufactured using aluminium and plastic. They do not present any corrosion problems in normal environments. The system has been designed for a smooth operation, together with a rigidity to prolong the window blind's working life. Manufacturing guidelines for the size restrictions for each model are included in this specification brochure.



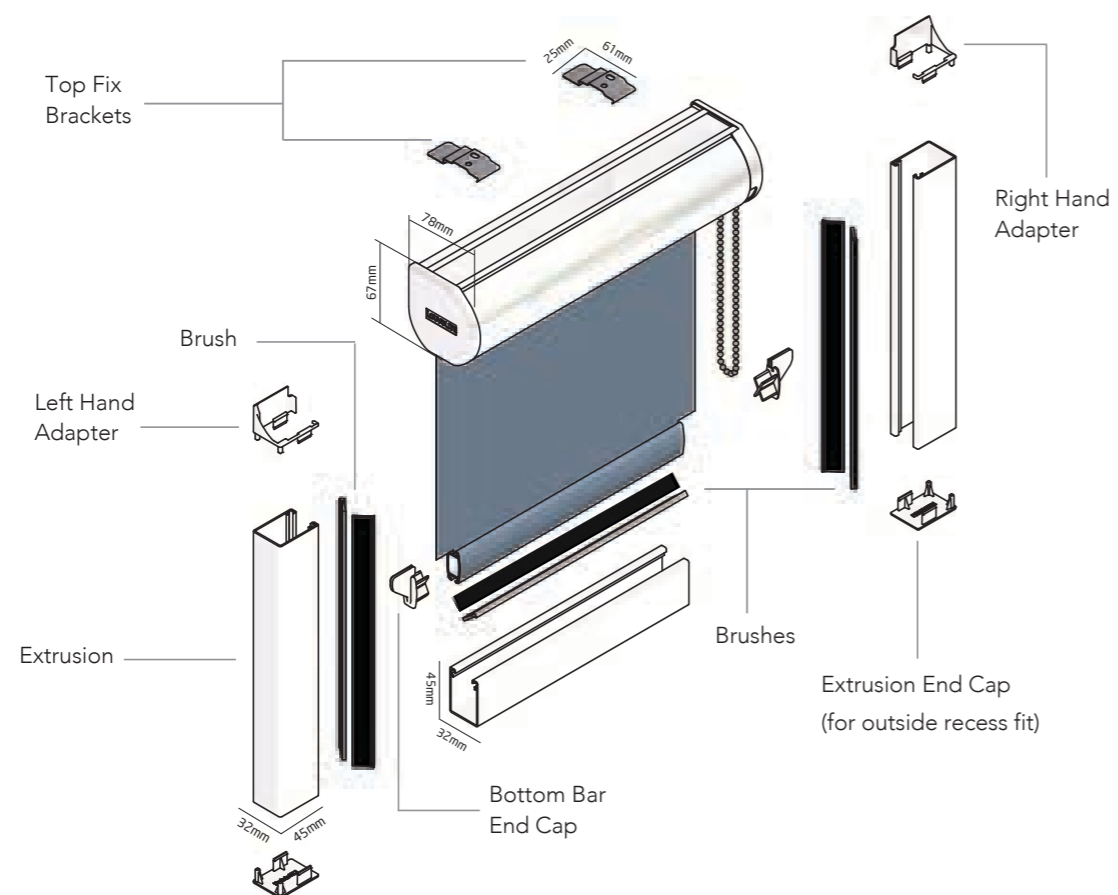
Blockout System 32[®] - Roller Cassette



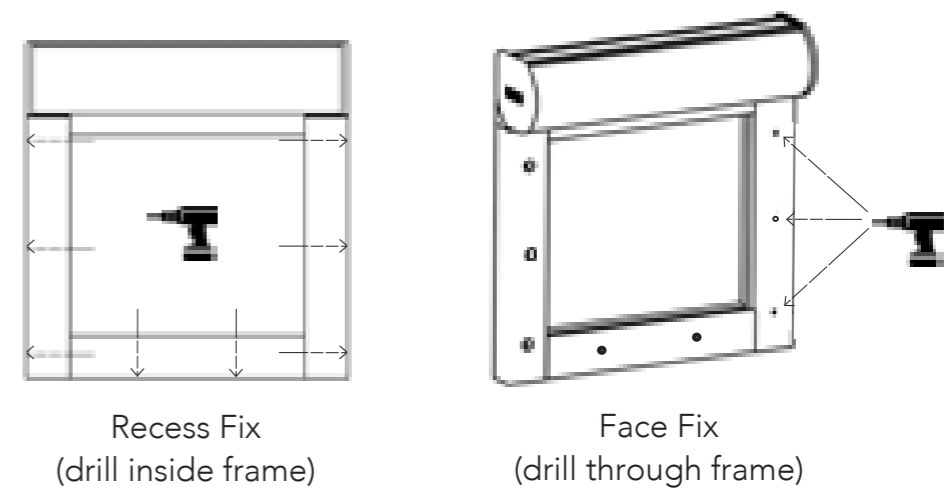
Blockout System 40[®]/45[®] - Roller Cassette



Blockout System 32[®]/40[®] - Hybrid Cassette



How to fix frame



Minimum & Maximum Recommended Blind Sizes

- Minimum blind width: 200 mm (for motorised 500 mm)
- Maximum blind width: 3.5m
- Maximum blind drop: 3m