

Solent Blinds



MALIBU
fulcasette

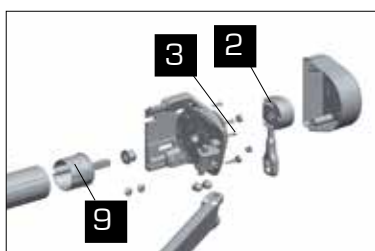


MALIBU

- 1.0. [A UJI 'DUfng](#)
- 1.1. [Description](#)
- 1.2. [Basic Specifications](#)



1.0. Malibu parts



Solent Blinds Casettes

1.1.

- 1** Malibu Support Kit
- 2** Gearbox
- 3** Bolt Set for Gearbox
- 4** Extra Long Fixing Plate (Optional see additional charge)
- 5** Profile Set
- 6** Art 250 Arms
- 7** Roller Tube 70mm
- 8** Pivot
- 9** Square Drive

MALIBU

Face Fix (mm)



Top Fix (mm)

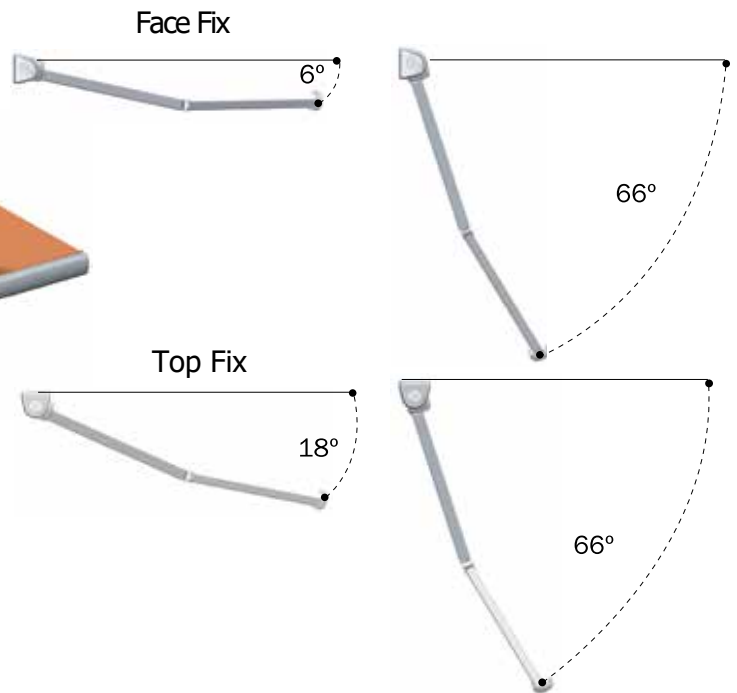
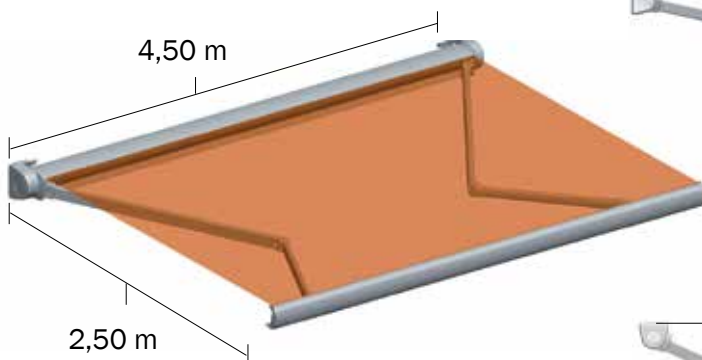


Maximum dimensions

450cm Width x 250cm Projection

Pitch / Slope

Face Fix	6° a /to 66°
Top Fix	18° a /to 66°



SOlent Blinds Cassettes

Finish

Lacquer in accordance with QUALICOAT standards

Stainless steel screws and bolts

Operation

- Manual
- Motorised
- Automated

Installation

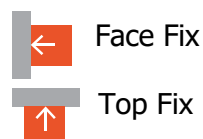


Terraces

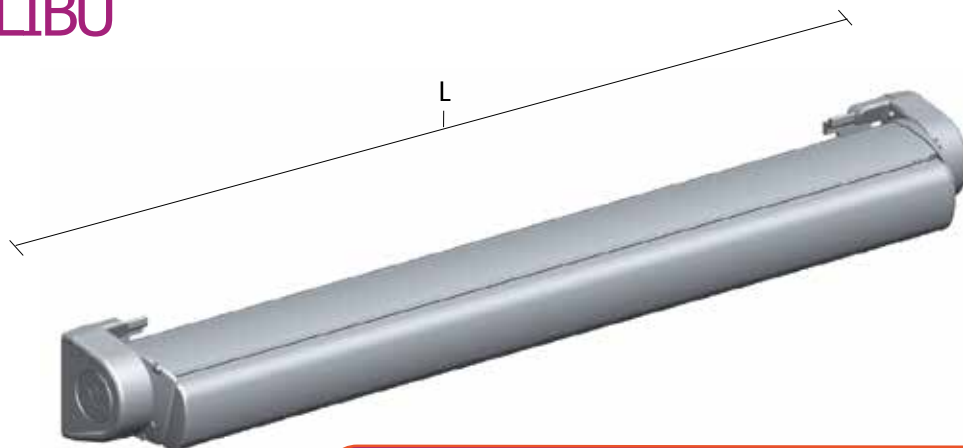


Balconies

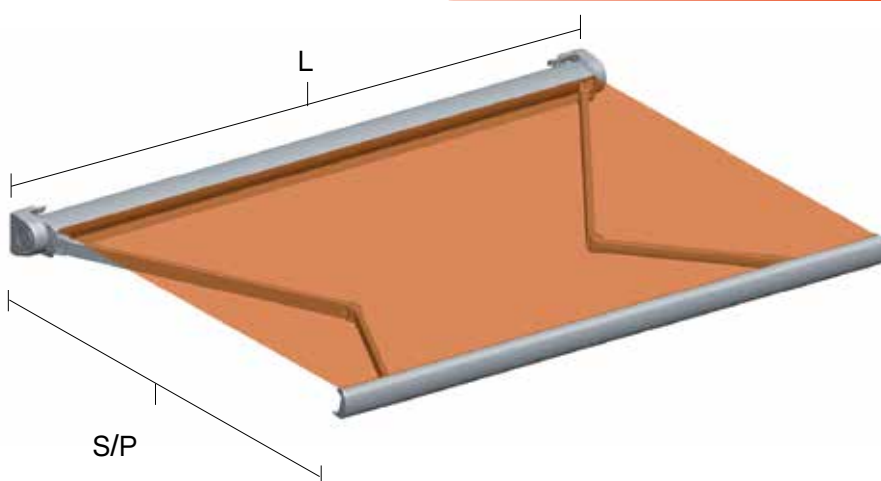
Mounting



MALIBU



Allowances for profiles and fabric (mm.)		
	Gearbox	Motor
Cassette-top profile	L-148	L-148
Front Profile	L-158	L-158
Roller Tube	L-167	L-184
Cassette profile	L-148	L-148
Fabric	L-177	L-194



Minimum width	
Projection	Width
1,25 m.	1,59 m.
1,50 m.	1,84 m.
1,75 m.	2,09 m.
2,00 m.	2,34 m.
2,25 m.	2,59 m.
2,50 m.	2,84 m.

Motor selection						
Projection (m)	1,25	1,50	1,75	2,00	2,25	2,50
ø 70mm / Roller Tube	25 Nm					
ø 78mm / Roller Tube	30 Nm					