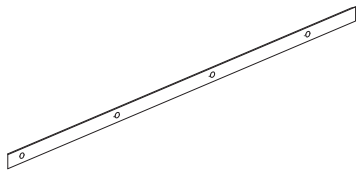


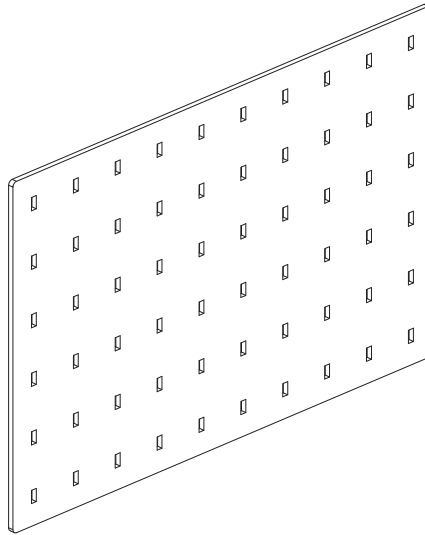
YOU WILL NEED: Electric Drill, Measuring tape, Level

PACKAGE INCLUDES: Mounting bar (1), Backboard (1), Screws (4)

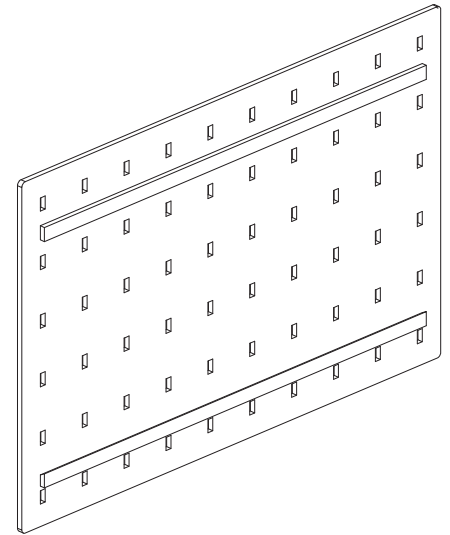
Mounting bar



Backboard



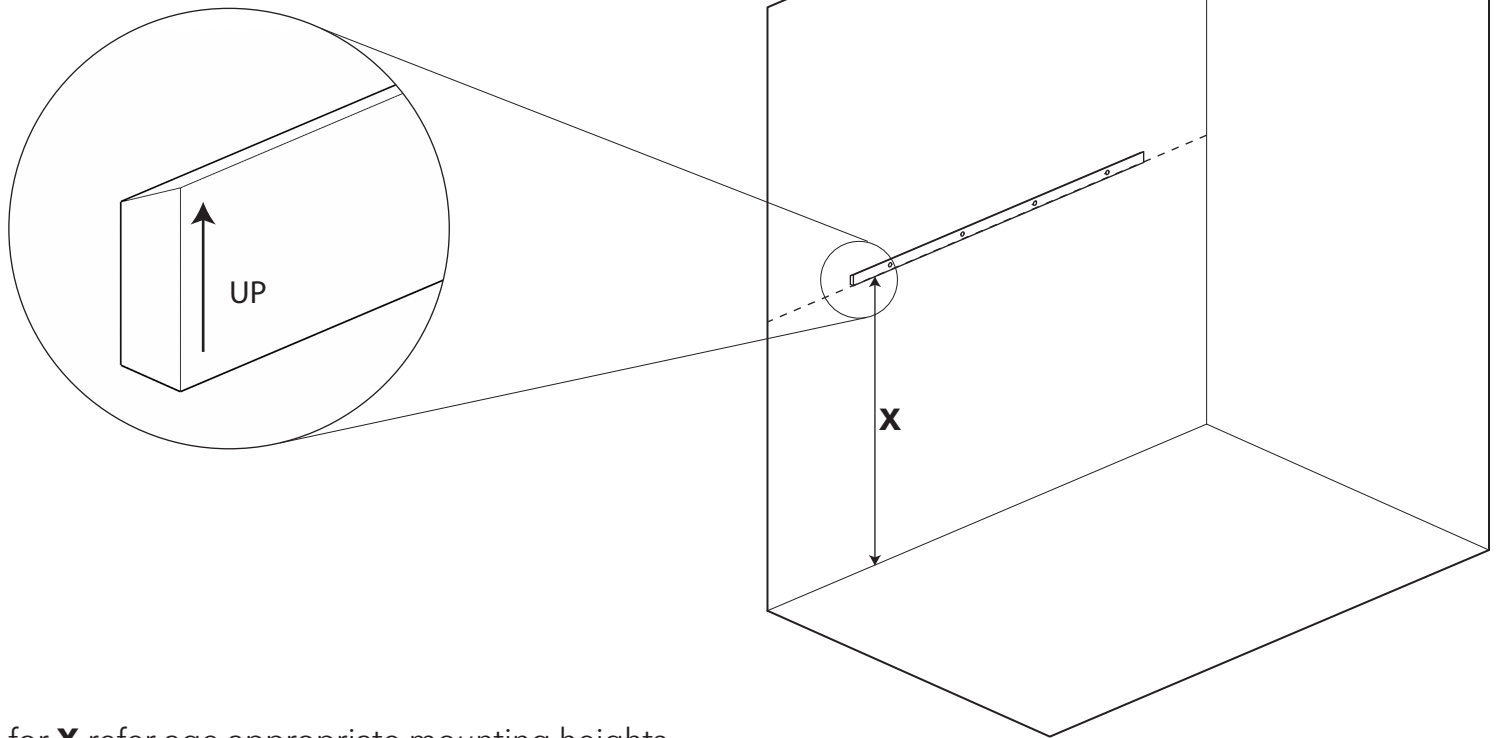
front



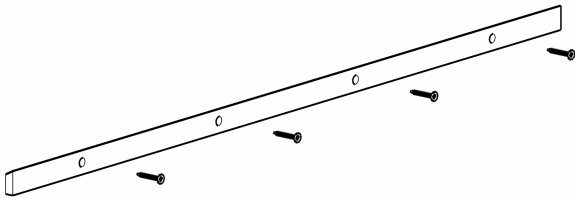
back

AGE APPROPRIATE MOUNTING HEIGHTS:

Set	PLAY	STUDY / CREATE		WORK
Age	0-2	2-8	8 upwards	2 upwards
Bottom of mounting bar to floor level (mm)	750	1150	1250	1550

1.

for **x** refer age appropriate mounting heights

2.**3.**