

Speed Cart® VI User's Guide

To take full advantage of the ergonomic features of your new Sun Mountain Speed Cart, please read the following information.




SUN MOUNTAIN®



Your Speed Cart has several innovative features designed for convenience and easy access.



- Parking brake



- Swiveling beverage holder



- Padded valuables tray with magnetic lid

- Folds down in seconds to fit in your trunk

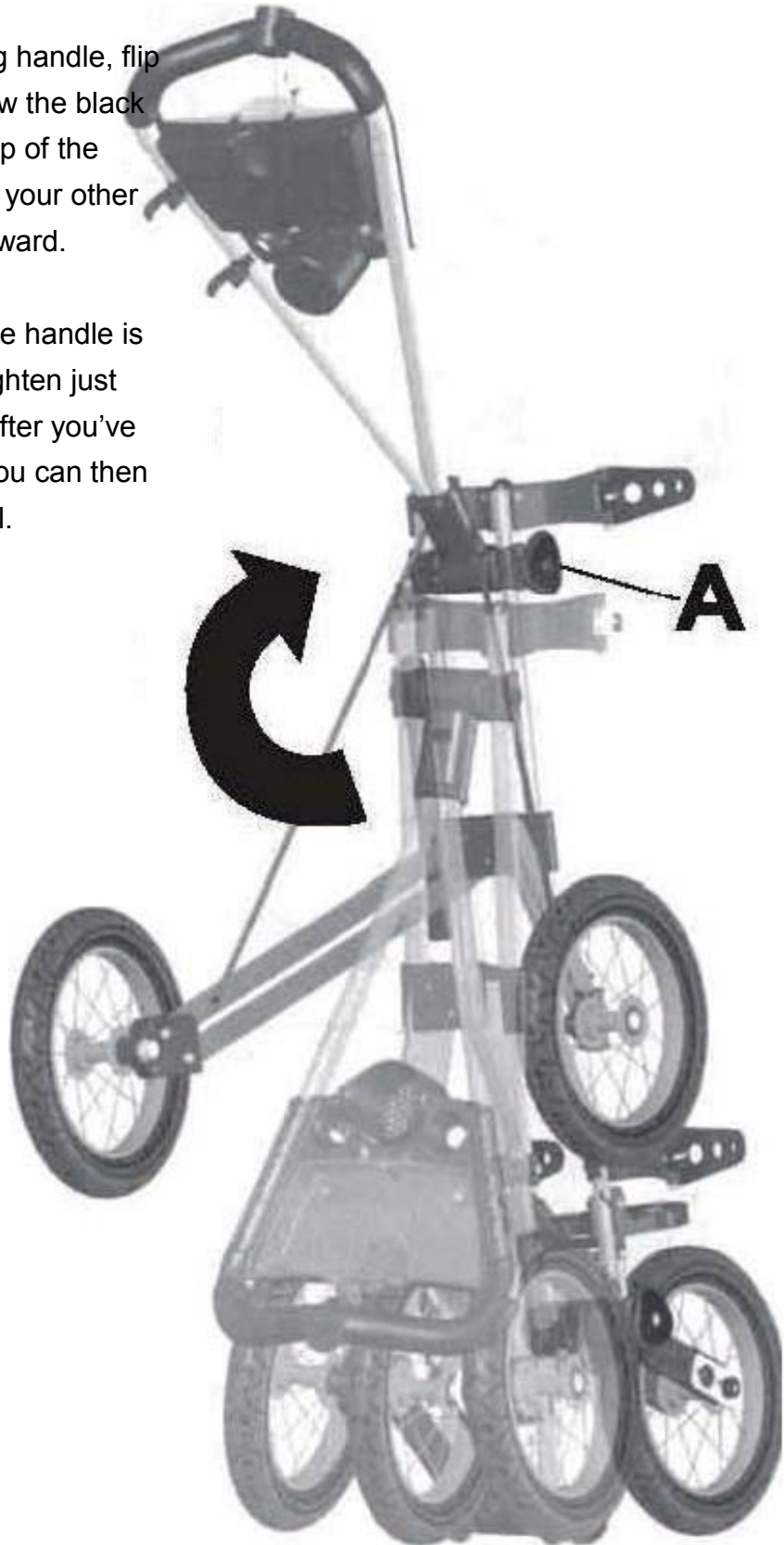


Instructions for Unfolding Your Speed Cart

STEP ONE: UNFOLD AND EXTEND HANDLE

To open and adjust your cart's steering handle, flip cradle over towards cart front. Unscrew the black triangle twist-knob (A) located at the top of the cart. While pulling out the handle, use your other hand to grip and slightly tilt the cart forward.

Temporarily tighten the twist-knob while handle is in a position parallel to the ground. Tighten just enough to keep the handle in place. After you've temporarily tightened the twist-knob, you can then proceed to unfold the cart's front wheel.



STEP TWO: UNFOLD AND EXTEND FRONT WHEEL

To unfold your cart's front wheel, unscrew the triangle twist-knob located at the side of the cart's front fork. A full turn or two will be sufficient to allow wheel to swivel freely and be fully extended. Once the wheel is extended, securely tighten the twist-knob to lock the front wheel in position.

After you've unfolded the front wheel and tightened its twist-knob, you can then readjust the handle to a height that is comfortable for you to push. Remember that you can adjust your cart's handle at any time.

STEP THREE: LOADING YOUR GOLF BAG

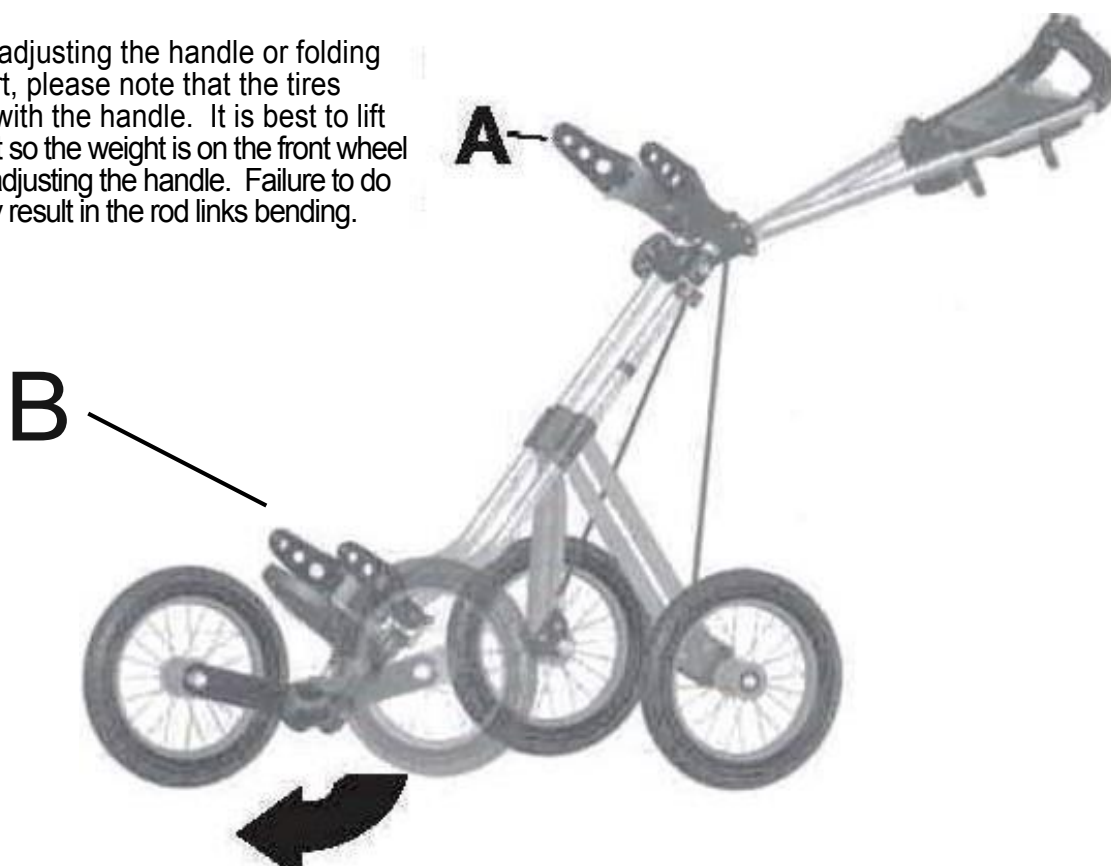
To mount your golf bag on the cart, lower the cradle (A) and bag support (B). Unfold the bag brackets and adjust the thumb screw knob so the bag brackets fit the size of your bag. Place your golf bag on the cart.

*Reverse these steps to fold and store your Speed Cart

STEP FOUR: STEERING

To steer your Speed Cart push down on the handle so the front wheel lifts slightly off the ground. Then pivot right or left to change direction, lower the front wheel and go.

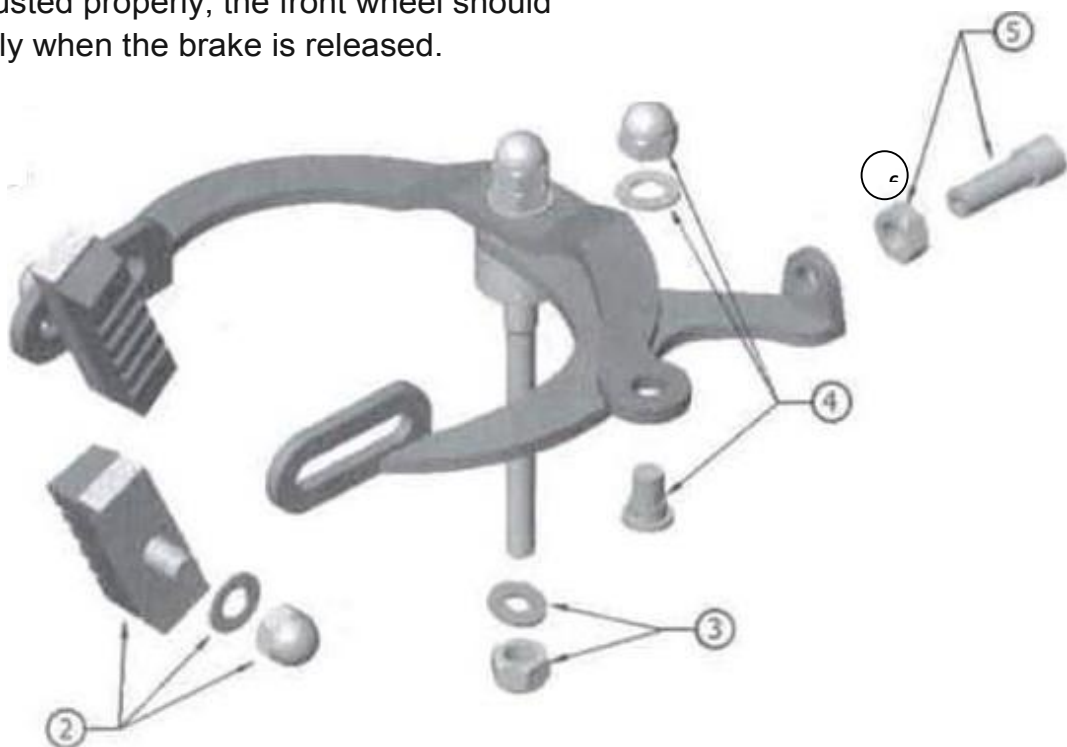
When adjusting the handle or folding the cart, please note that the tires move with the handle. It is best to lift the cart so the weight is on the front wheel when adjusting the handle. Failure to do so may result in the rod links bending.



ADJUSTING THE BRAKE

The Speed Cart brake system is factory set to hold a 50-pound load on a 25% grade. If you find your brake is not holding, you may need to tighten the brake cable. To tighten, set the brake lever to the down position, remove slack from the cable by turning the cable adjustment bolt (item 5) counterclockwise, then set the nut to hold it in place. IF all the slack is already pulled out of the cable (the cable adjustment bolt is turned as far counterclockwise as possible) loosen the nut on the cable clamp bolt, turn the cable adjustment bolt clockwise until all threads are all the way in the caliper, squeeze the brake caliper against the wheel, pull all the slack out of the cable and tighten then cable clamp bolt. You should now have sufficient adjustment in the cable adjustment bolt/nut to properly set the brake.

When adjusted properly, the front wheel should move freely when the brake is released.



Item #	Part #	Description	Qty
All	005-049	Complete Brake Caliper Assembly	1
2	005-050	Brake Caliper Wheel Pads with Nuts & Washers	2
3	005-055	Brake Caliper Mounting Nut and Washer	1
4	005-060	Brake Cable Clamp Bolt, Washer & Nut	1
5	MC1-903	Brake Cable Adjustment Stud	1
6	MC1-224	Brake Cable Adjustment Nut	1

Adjusting the alignment

All Speed Carts go through alignment testing before they are shipped. However, if your cart is not rolling straight you can adjust the alignment with the adjustment knob. First, loosen the two screws beside the adjustment knob. If your cart goes right, turn the knob clockwise. Conversely, if your cart goes left, turn the knob counter-clockwise. When you are satisfied with the alignment, tighten the screws to set the wheel's position.



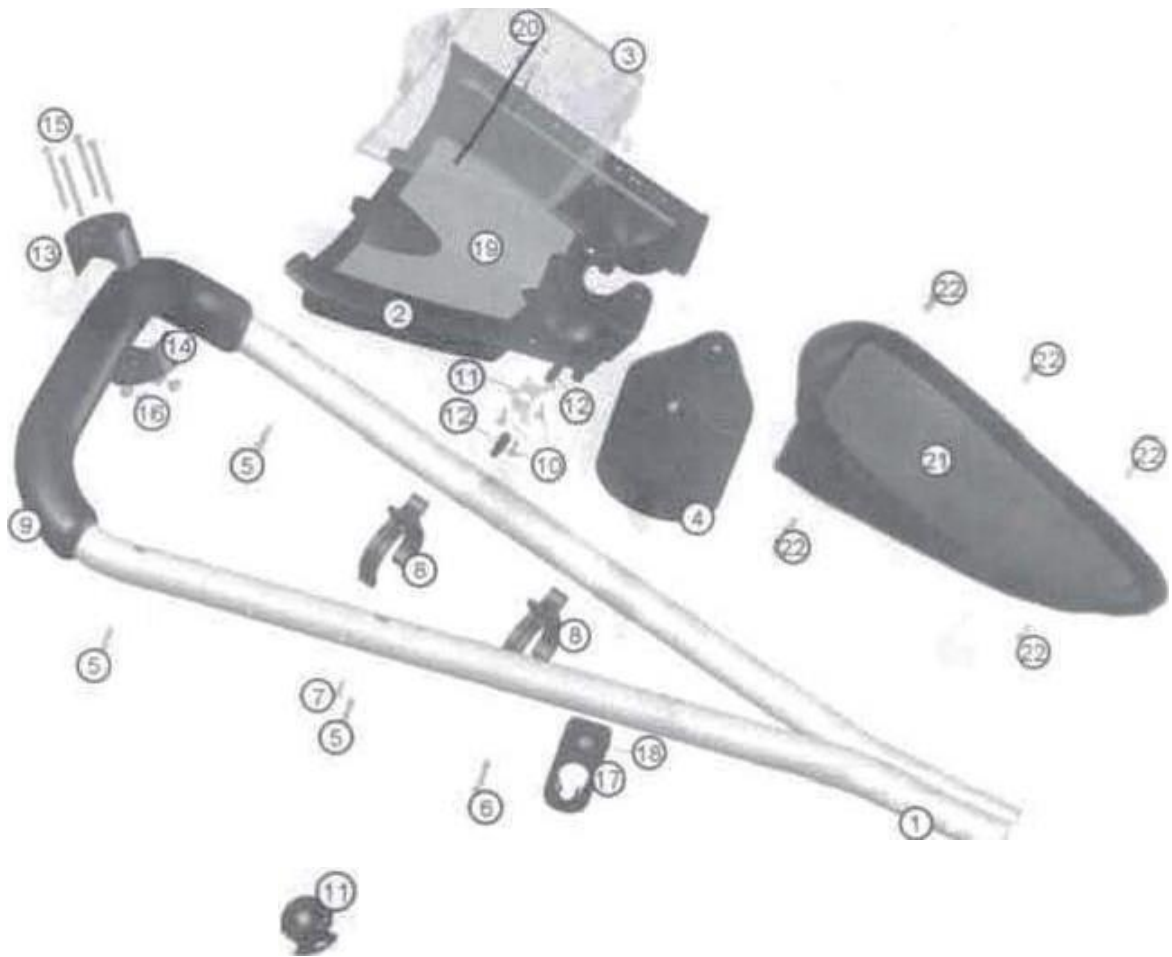
Item #	Part #	Description	Qty
1	009-411	Fork kit with twist knob	1
2	005-101	M5-.08x12mm Hex Screw	2
3	005-123	M5-0.8x15mm Hex Screw	1
4	005-102	5mm Flat Washer	3
5	005-099	Adjustment Knob	1
6	005-098	Axle Adjustment Plate	1
7	005-105	Axle Retainer Cap (color specific)	1
8	005-118	M5-.08X8mm Phillips Pan Head Screw	1
9	005-100	Front Axle (Silver or Black)	1
10a	009-505S	Silver Foam Tire Wheel Assembly	1
10b	009-505B	Black Foam Tire Wheel Assembly	1
11	MC1-233	9mm E-Clip	4
12	005-106	M5 Nut Plate	1
13	SV1-221	M5-0.8 Nylock Nut	1
14	005-021A	12mm Flat Washer	2
15	005-031	M12-1.75 Nylock Nut	1

Using Your Umbrella Holder

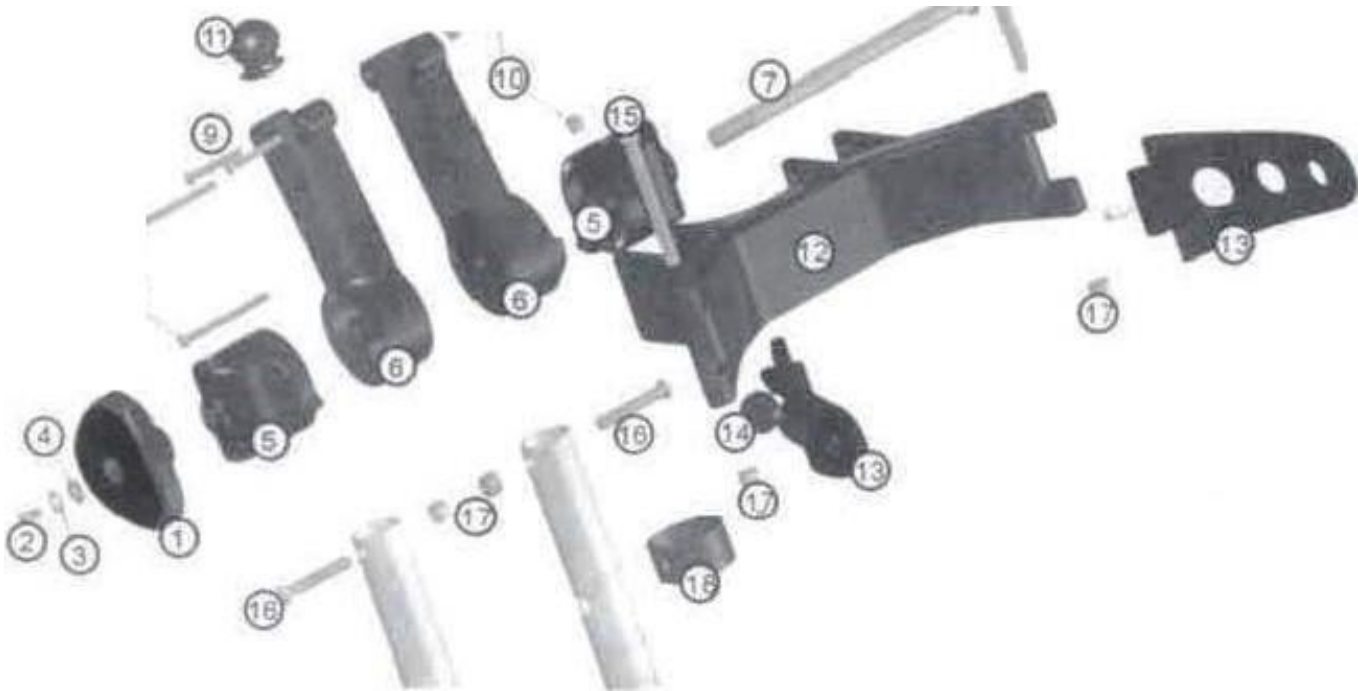
The Speed Cart comes with an umbrella holder that is clipped on the side of the handle tube and an umbrella holder mount that is located on the handle grip. To use your umbrella, screw the umbrella holder clockwise onto the umbrella holder mount. Then place your umbrella handle inside the holder. If you are using a Sun Mountain umbrella you can use the bungee cord to secure the umbrella handle in the holder.



Item #	Part #	Description	Qty
1	009-423_	Handle Tube Assembly (color specific)	1
2	MC1-905	Umbrella Holder Receiver	1
3	009-108	Umbrella Holder Mount (Top)	1
4	009-107	Umbrella Holder Mount (Bottom)	1
5	005-110	M4-0.7x40mm Phillips Pan Head Screw	4
6	SV1-225	M8-1.0 Nylock Nut	4
7	MC1-703	Umbrella Holder Bungee with Clasp	1



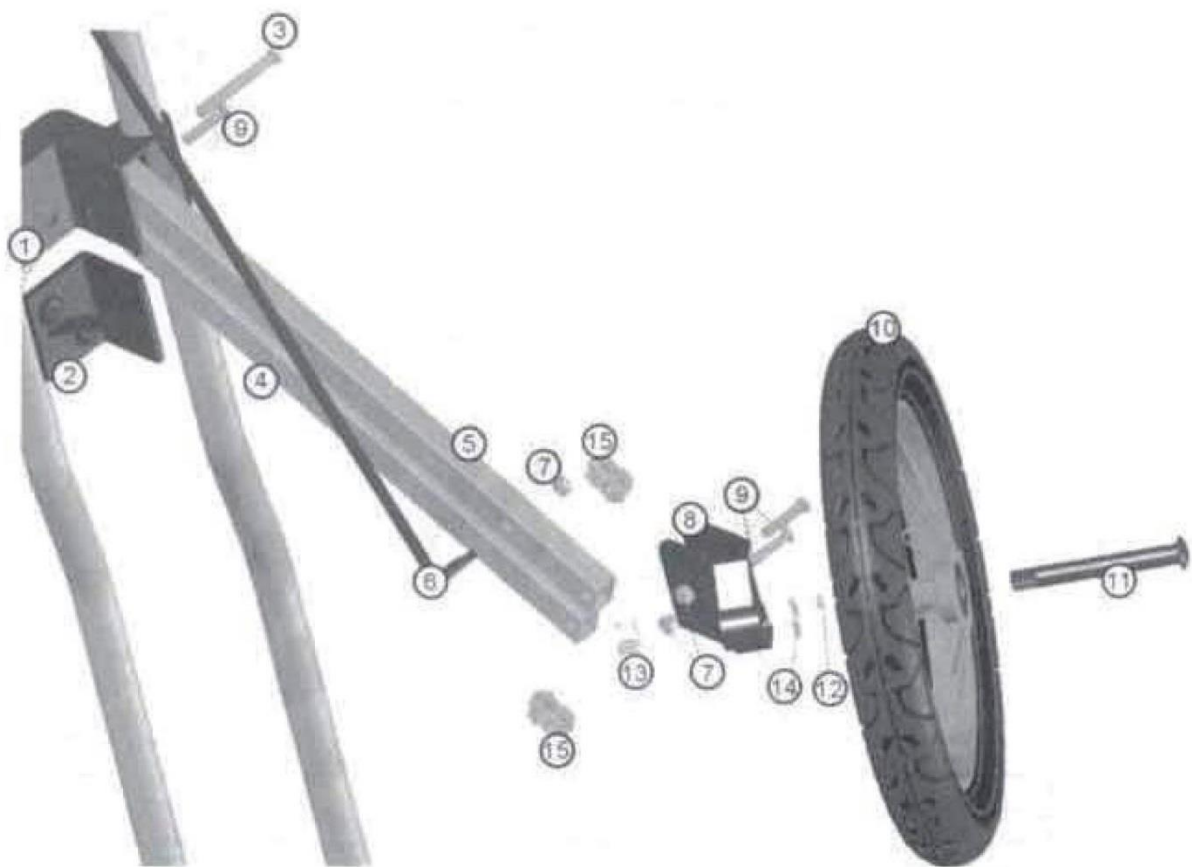
Item #	Part #	Description	Qty
1	009-423	Handle Tube Assembly (color specific)	1
2a	005-405	Accessories Tray with Flat Black Lid (old version)	1
2b	009-405	Accessories Tray with Translucent/Smokey Lid (new version)	1
3	005-017B	Flat Black Compartment Lid (only compatible with old version)	1
4	005-117	Beverage Holder Kit	1
5	005-035	M4-20mm Phillips Pan Head ST Screw	3
6	005-119	M4-25mm Phillips Pan Head ST Screw	1
7	005-122	M4-12mm Phillips Pan Head ST Screw	1
8	SV1-903B	Umbrella Holder Clip Kit	1
9	009-128	Foam Handle Grip	1
10	MC1-204	M3-5mm Phillips Pan Head Screw	4
11	005-130	Spring Plate	1
12	005-131	Hinge Post	2
13	009-108	Umbrella Holder Mount (Top)	1
14	009-107	Umbrella Holder Mount (Bottom)	1
15	005-110	M4-0.7x40mm Phillips Pan Head Screw	4
16	SV1-225	M4-0.7 Nylock Nut	4
17	005-126	Grass Seed Bottle Clip	1
18	005-032	M5x12mm Phillips Pan Head ST Screw	1
19	005-138	Accessory Tray Cushion	1
20	005-139	Score Card Bungee	1
21	005-140	Mesh Headcover Tray	1
22	005-141	M3x12mm Phillips Pan Head ST Screw	5



Item #	Part #	Description	Qty
1	005-018C	Twist Knob and Set Screw	1
2	007-211	M4x4.5mm Phillips Screw	1
3	007-209	4.3x1.0mm Flat Washer	1
4	007-210	4mm Lock Washer	1
5	009-403	Pivot Fittings (Upper Handle Pivot Kit w/twist knob)	1
6	009-403	Pivot Fittings (Upper Handle Pivot Kit w/twist knob)	1
7	005-408C	Draw Bolt/Twist Knob Kit (doesn't include pivot fittings)	1
8	005-033	M4-0.7x50mm Phillips Pan Head Screw	2
9	005-033A	M4-0.7x30mm Phillips Pan Head Screw	2
10	SV1-225	M4-0.7 Nylock Nut	4
11	009-019	Tube End Plug	2
12a	005-402	Velcro Upper Wrap Assembly (1 st gen)	1
12b	005-413A	Bungee Upper Wrap Assembly (2 nd gen)	1
12c	005-413	Tension Arm Upper Wrap Assembly (3 rd gen)	1
13	SV1-912_	Bag Wrap Tension Arm (color specific)	2
14	MC1-315	Thumb Screw and E-clip	2
15	MC1-218	M6-1.0x65mm Phillips Pan Head Screw	2
16	009-087	M6-1.0x40mm Phillips Pan Head Screw	2
17	SV1-202	M6-1.0 Nylock Nut	4
18	005-114	Umbrella Holder Hook and Loop	1



Item #	Part #	Description	Qty
1	005-018C	Twist Knob and Set Screw	1
2	007-211	M4x4.5mm Phillips Screw	1
3	007-209	4.3x1.0mm Flat Washer	1
4	007-210	4mm Lock Washer	1
5	009-411	Pivot Fittings (Fork Kit required)	1
6	009-019	Tube End Plug	2
7	005-408C	Draw Bolt/Twist Knob Kit (doesn't include pivot fittings)	1
8	009-411	Fork Kit	1
9a	009-505S	Silver Foam Tire Wheel Assembly	1
9b	009-505B	Black Foam Tire Wheel Assembly	1
10	005-100	Front Axle	1
11	005-021	12MM Flat Washer	2
12	005-037	9mm E-clip	4
13	005-031	M12-1.75 Nylock Nut	1
14	005-118	M5-0.8x8mm Phillips Pan Head Screw	1
15	005-105	Axle Retainer Cap (color specific)	1
16a	005-402L	Velcro Lower Wrap Assembly (1 st gen)	1
16b	005-414	Bungee Lower Wrap Assembly (2 nd gen)	1
16c	009-134A	Tension Arm Lower Wrap Assembly (3 rd gen)	1
17	005-415	Lower Brace	1
18	005-032	M5-12 Phillips Pan Head ST Screw	2
19	005-095	M5-0.8x35mm Phillips Pan Head Screw	2
20	SV1-221	M5-0.8 Nylock Nut	2
21	009-067	M6-1.0x40mm Phillips Pan Head Screw	1
22	005-124	M6-1.0x42mm Phillips Pan Head Screw	1
23	SV1-202	M6-1.0 Nylock Nut	6
24	MC1-403	Rubber Stand Off	3
25	SV1-903	Lower Umbrella Webbing	1
26	Refer to 16	Part of Lower Wrap Assembly	
27	005-136	Bag Bracket Linkage Plate	2
28	SV1-912	Bag Wrap Tension Arm (color specific)	2
29	MC1-315	Thumb Screw and E-clip	2
30	005-124	M6-1.0x42mm Phillips Pan Head Screw	2
31	009-137	Bag Bracket Pivot (2009 or later)	2



Item #	Part #	Description	Qty
1	009-011	Mid Fitting	1
2	009-006	Mid Brace	1
3	005-028	M6-1.0x60mm Phillips Pan Head Screw	1
4	005-423	Outrigger Tube (Replacement Kit comes with 4 pieces)	1
5	005-423	Outrigger Tube (Replacement Kit comes with 4 pieces)	1
6	005-404	Rod Link Replacement Kit	1
7	SV1-202	M6-1.0 Nylock Nut	3
8	005-012R	Wheel Fitting (right)	1
9	005-029	M6-1.0x30mm Phillips Pan Head Screw	3
10a	009-505S	Silver Foam Tire Wheel Assembly	1
10b	009-505B	Black Foam Tire Wheel Assembly	1
11	005-020	Rear Axle	1
12	MC1-233	9mm E-Clip	1
13	005-031	M12-1.75 Nylock Nut	1
14	005-021A	12mm Flat Washer	1
15	005-063A	Outrigger Tube End Plug	2

Brake Parts:



Item #	Part #	Description	Qty
1	MC1-338	Brake Lever Mount	1
2	MC1-268	M4-0.7x35mm Phillips Pan Head Screw	2
3	SV1-225	M4-0.7 Nylock Nut	2
4	MC1-902	Brake Level with Linkage	1
5	MC1-270	M6-1.0x22mm Phillips Pan Head Screw	1
6	SV1-202	M6-1.0 Nylock Nut	1
7	MC1-903	Brake Cable Adjustment Stud and Nut	1
8	005-419	Brake Cable Kit and Hardware	1
9	Refer to 8	Brake Cable Sheathing	1
10	SV1-306	Brake Cable Sheathing Clip	6
11	MC1-273	3x10mm Phillips Pan Head ST Screw	6
12	MC1-274	M4x5mm Phillips Pan Head Screw	1
13	MC1-275	Brake Cable Stud	1

Maintenance:

Fertilizers and other chemicals used on golf courses can be corrosive over time. To keep the powder-coated finish of your Speed Cart in good condition, wash your cart regularly with a damp wash cloth and mild detergent.

Limited Warranty:

Sun Mountain warrants the Speed Cart V1 to be free of defects in materials and workmanship. The cart frame (two parallel tubes from the handle to the wheel) is warranted for 3 years from date of purchase. Other parts such as the tires, brakes, handle wrap, etc. are warranted for 1 year from date of purchase. This warranty does not cover normal wear and tear, damage, failure or loss resulting from misuse, accident, neglect or failure to follow instructions or warnings in this user's guide.

IMPORTANT!

Pulling the Speed Cart V1 behind a power cart or using it as part of a rental fleet voids the warranty. Sun Mountain is the sole judge of any claim or warranty. Proof of purchase is required.

Warranty Registration:

Please register your item by visiting our Customer Care section at www.sunmountain.com

Claim Procedure:

If you have a claim covered by the warranty, please call our customer service staff to identify and resolve the problem.

If it is deemed necessary to return your cart, a return authorization number will be provided by the customer service agent. This number **MUST** be included on the product or package being returned.

For claim information, please call 1-800-227-9224.

Admit it. You enjoy the minutia of golf.

The fact that minor details such as alignment, grip pressure and



weight shift can greatly alter any



shot makes golf a challenge.

It makes golf a great game.

At Sun Mountain, we believe that like the world's greatest game, the world's greatest gear is also



in the details.



This is why we never stop tinkering, inventing and improving our bags, carts and outerwear.

Perfection may be unattainable, but as golfers we pursue it anyway.

For customer service or replacement parts
call 1-800-227-9224

Visit our web site at
www.SUNMOUNTAIN.com



301 N FIRST ST | MISSOULA, MT | 59802