

Speed Cart® SVI User's Guide

To take full advantage of the ergonomic features of your new Sun Mountain Speed Cart, please read the following information.





• Umbrella holder mount.

• Console tray includes a retracting score card and pencil holder plus three separate storage compartments, one sized for a range finder. The two side compartments are perfect for balls, tees, snacks and keys.

• Mesh headcover tray.



• Available accessories include the Speed Paq and Umbrella.

• Ergonomically designed to push without straining your shoulders or back.

• Large diameter tires are maintenance free.

• The E-Z Latch System makes folding and unfolding the cart simple and effortless.

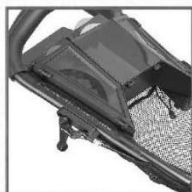
Your Speed Cart SV1 has several innovative features designed for convenience and easy access.



- Console tray with retracting score card holder, mesh headcover tray and three padded valuables compartments.



- Beverage holder.



- Parking brake.

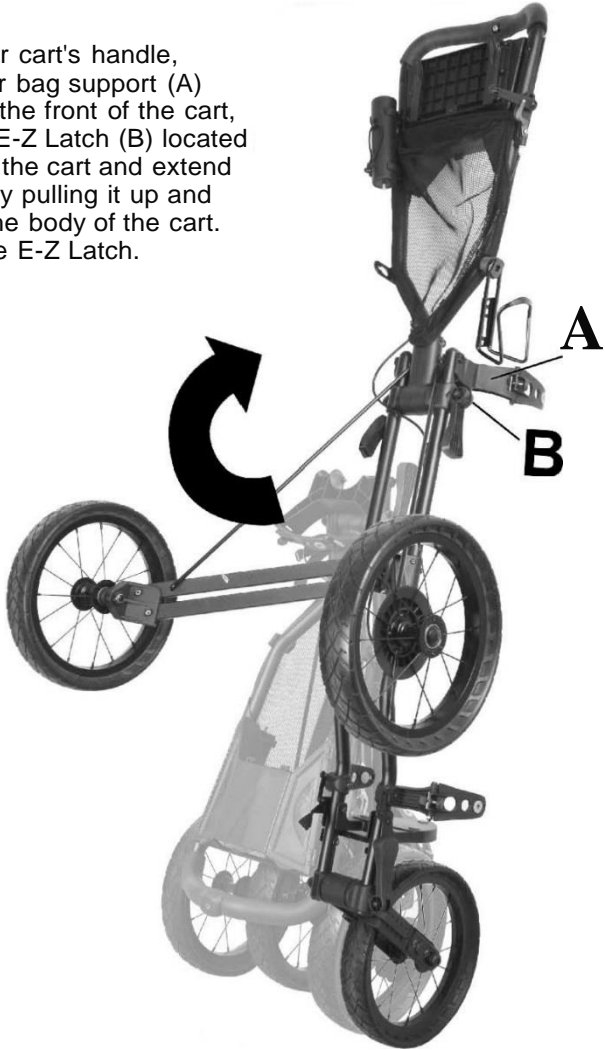
- Folds down in seconds to fit in your trunk.



Instructions for Unfolding Your Speed Cart SV1

STEP ONE: UNFOLD AND EXTEND HANDLE

To open your cart's handle, flip the upper bag support (A) over toward the front of the cart, release the E-Z Latch (B) located at the top of the cart and extend the handle by pulling it up and away from the body of the cart. Retighten the E-Z Latch.



STEP TWO: UNFOLD AND EXTEND FRONT WHEEL

To unfold your cart's front wheel, release the E-Z Latch at the bottom of your cart allowing the wheel to swivel freely and be fully extended. Once the wheel is extended, resecure the E-Z Latch to lock the front wheel in position.

After you've unfolded the front wheel and secured the lower E-Z Latch, you can readjust the handle to a height that is comfortable for you to push. Remember that you can adjust your cart's handle any time.

STEP THREE: LOADING YOUR GOLF BAG

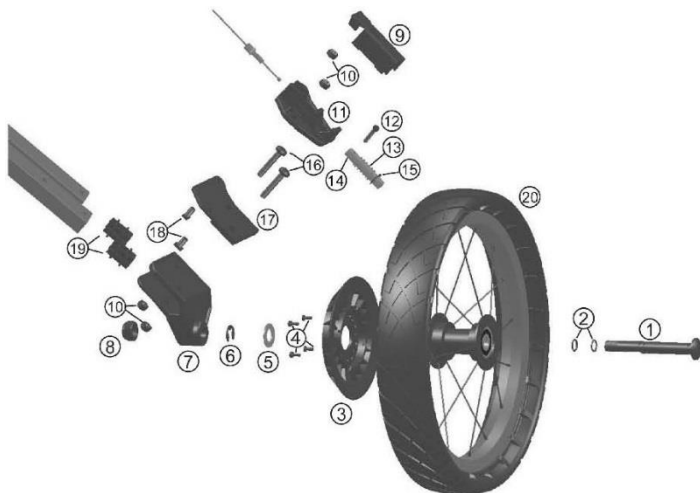
To mount your golf bag on the cart, unfold the lower bag support (B). Unfold the bag brackets and adjust the thumb screw knob so the bag brackets fit the size of your bag. Place your golf bag on the cart. (Reverse these steps to fold and store your Speed Cart SV1.)

STEP FOUR: STEERING

To steer your Speed Cart SV1, push down on the handle so the front wheel lifts slightly off the ground. Then pivot right or left to change direction, lower the front wheel and go.

When adjusting the handle or folding the rear tires please lift the cart so the weight is on the front wheel. Failure to do so may result in the rod links being bent.

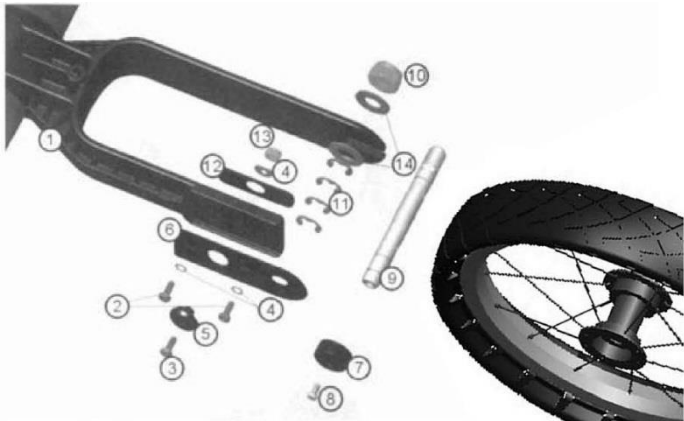




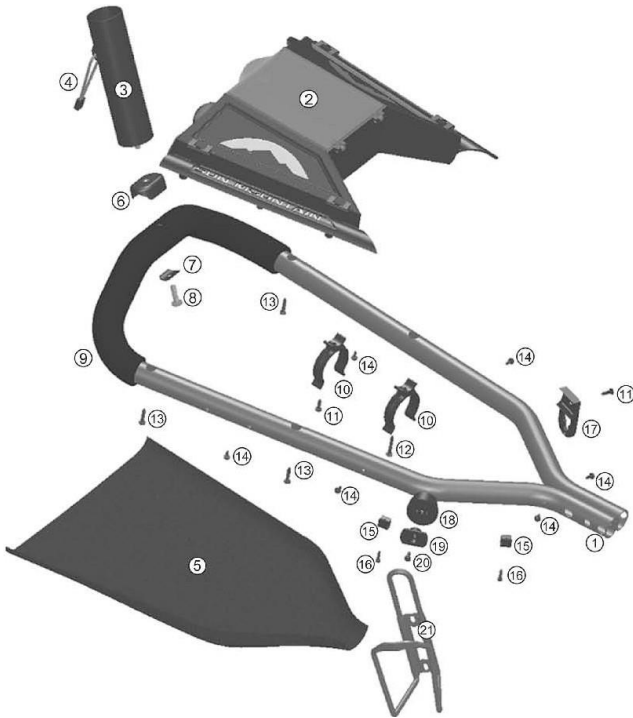
Item #	Part #	Description	Qty
1	005-020	Rear Axle	1
2	SV1-401	O-Ring	2
3	SV1-301	Disc Brake	1
4	SV1-201	M3x8 Screw	4
5	005-021A	12mm Flat Washer	1
6	MC1-233	9mm E-clip	1
7	005-012R	Right Wheel Fitting	1
8	005-031	M12-1.75 Nylock Nut	4
9	SV1-302	Brake Housing	1
10	SV1-202	M6 Nylock Nut	1
11	SV1-303	Brake Mounting Base	1
12	SV1-203	M4X20mm Hex Screw	1
13	SV1-204	Brake Spring	1
14	SV1-205	Brake Pin	1
15	SV1-206	6x0.8mm E-Clip	1
16	SV1-207	M6x32mm Screw	2
17	SV1-304	Brake Base	1
18	SV1-208	M6x12mm Screw	2
19	005-063A	Outrigger Tube End Plug	2
20	SV1-701R- <u> </u>	Right Wheel Assembly (color specific)	1

Adjusting the Alignment

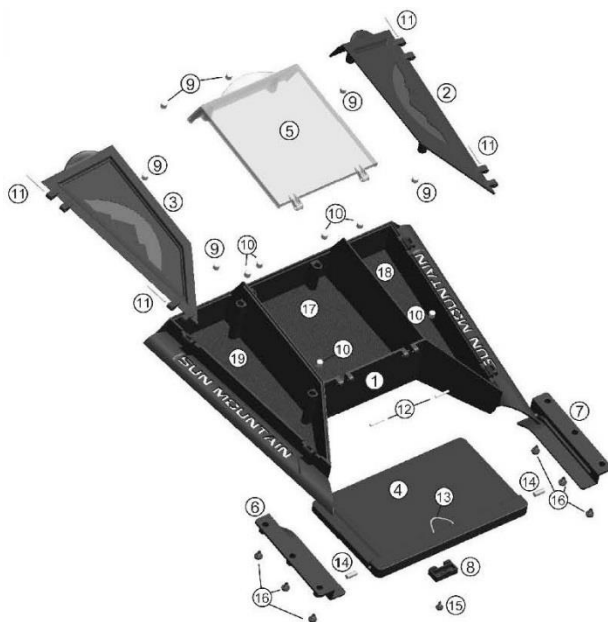
All Speed Carts go through alignment testing before they are shipped. However, if your cart is not rolling straight you can adjust the alignment with the adjustment knob. First, loosen the two screws beside the Adjustment Knob. If your cart goes right, turn the knob clockwise. Conversely, if your cart goes left, turn the knob counter-clockwise. When you are satisfied with the alignment, tighten the screws to set the wheel's position.



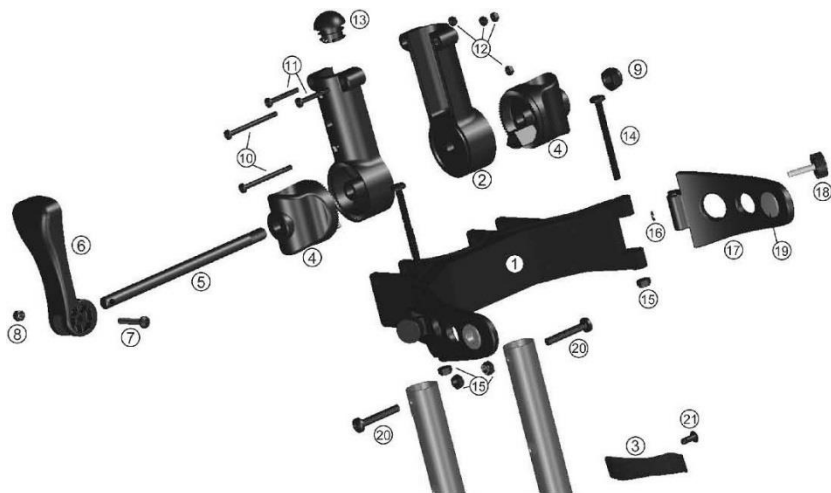
Item #	Part #	Description	Qty
1	SV1-904	Fork Kit w/Handle Latch	1
2	005-101	M5-0.8x12mm Hex Screw	2
3	005-123	M5-0.8x15mm Hex Screw	1
4	005-102	5mm Flat Washer	3
5	005-099	Adjustment Knob	1
6	005-098	Axle Adjustment Plate	1
7	005-105BK	Axle Retainer Cap (black)	1
8	005-118	M5-0.8x8mm Phillips Pan Head Screw	1
9	005-100	Front Axle	1
10	005-031	M12-1.75 Nylock Nut	1
11	MC1-233	9mm E-Clip	4
12	005-106	M5 Nut Plate	1
13	SV1-221	M5-0.8 Nylock Nut	1
14	005-021A	12mm Flat Washer	2



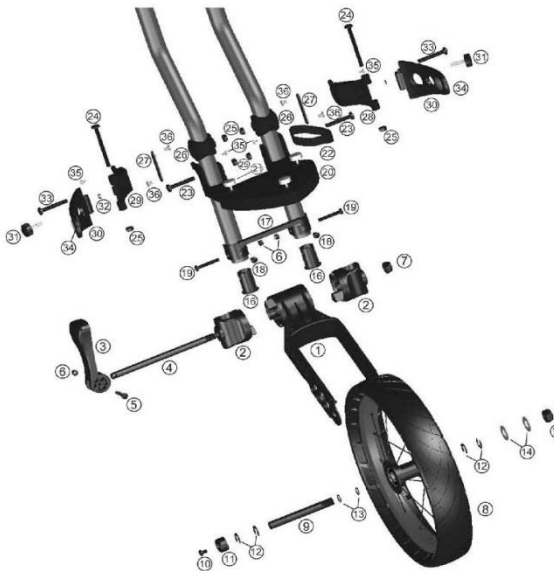
Item #	Part #	Description	Qty
1	SV1-907-__	SV1 Handle Assembly (all items shown)	1
2	SV1-902	Accessories Tray Assembly	1
3	MC1-905	Umbrella Holder Receiver	1
4	MC1-703	Umbrella Holder Bungee w/Clasp	1
5	SV1-601	Mesh Headcover Tray	1
6-8	SV1-903A	Umbrella Mount Kit	1
9	009-128	Foam Handle	1
10-14	SV1-903B	Umbrella Clip Kit	1
15	SV1-306	Brake Cable Sheathing Clip	2
16	SV1-211	M3X12mm Screw	2
17	005-126	Grass Seed Bottle Clip	1
18-21	SV1-908-__	Beverage Holder Kit (color specific)	1



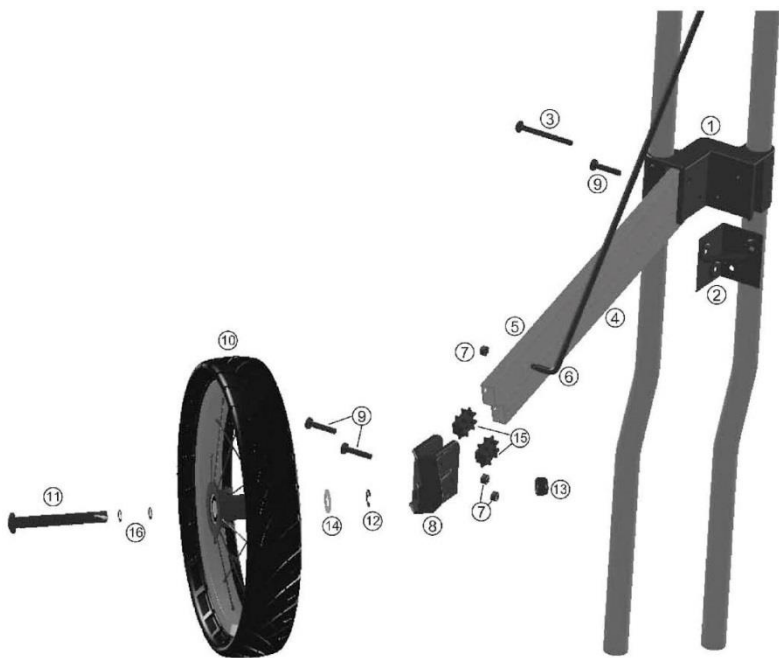
Item #	Part #	Description	Qty
1-8	SV1-902	Accessories Tray Assembly	1
9	SV1-213	6x6mm Steel Plate	6
10	SV1-501	6x6mm Magnet	6
11	SV1-214	2.5x25mm Pin	4
12	SV1-215	2.5x16mm Pin	2
13	SV1-216	Clip	1
14	SV1-217	4.8x11.5mm Pin	2
15	SV1-218	M3x8mm Screw	1
16	SV1-219	M4x10mm Screw	6
17	SV1-701	Mid Tray Cushion	1
18	SV1-702	Left Tray Cushion	1
19	SV1-703	Right Tray Cushion	1



Item #	Part #	Description	Qty
1	005-413	Upper Wrap Assembly w/Tension Arm	1
2	SV1-909	Handle Pivot Kit w/Handle Latch	2
3	005-114	Upper Umbrella Webbing	1
4	SV1-909	Handle Pivot Kit w/Handle Latch	1
5	SV1-227	Milled Draw Bolt	1
6	SV1-318BK	Black Handle Latch	1
7	SV1-220	M5x3mm Screw	1
8	SV1-221	M5 Nylock Nut	1
9	SV1-222	M10 Nylock Nut	1
10	005-033	M4-0.7x50mm Phillips Pan Head Screw	2
11	005-033A	M4-0.7x30mm Phillips Pan Head Screw	2
12	SV1-225	M4-0.7 Nylock Nut	4
13	009-019	Tube End Plug	2
14	MC1-218	M6x1.0x65mm Phillips Pan Head Screw	2
15	SV1-202	M6-1.0 Nylock Nut	4
16	SV1-223	3mm E-clip	2
17	SV1-912	Bag Wrap Arm Assembly	1
18	MC1-315	Thumb Screw	2
19	MCS-341_	Bag Wrap Cushion	2
20	009-087	M6x1.0x40mm Phillips Pan Head Screw	2
21	RC3-102	5x10 Rivet	1



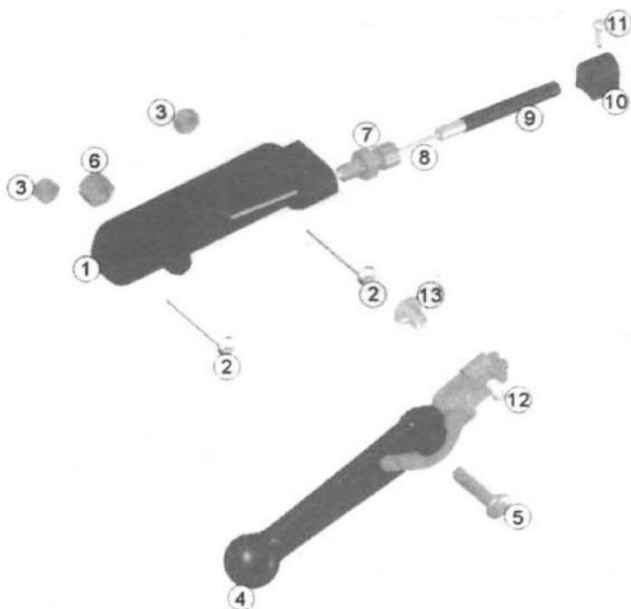
Item #	Part #	Description	Qty
1-7	SV1-904	Fork Kit w/Handle Latch	1
8	SV1-701F-	Front Wheel Assembly (color specific)	1
9	005-100	Front Axle	1
10	005-118	M5-0.8x8mm Phillips Pan Head Screw	1
11	005-105_	Axle Retainer Cap (color specific)	1
12	MC1-337	9mm E-Clip	4
13	SV1-401	O-Ring	2
14	005-021A	12mm Flat Washer	2
15	005-031	M12-1.75 Nylock Nut	1
16	SV1-322	Tube End Plug	2
17	005-415	Lower Frame Brace	1
18	005-032	M5-12mm Phillips Pan Head Set Screw	2
19	005-095	M5-0.8x35mm Phillips Pan Head Screw	2
20	009-134A	Lower Bag Wrap Assembly	1
21	MC1-403	Rubber Stand Off	3
22	SV1-903	Lower Umbrella Webbing	1
23	009-087	M6-1.0x40mm Phillips Pan Head Screw	2
24	005-124	M6-1.0x42mm Phillips Pan Head Screw	2
25	SV1-202	M6 Nylock Nut	6
26	009-137	Bag Bracket Pivot	2
27	005-136	Linkage Plate (add 009-134A1 screw set)	2
28-29	009-134A	Lower Bag Wrap Assembly	1
30	MCS-341BK	Bag Wrap Cushion	2
31	MC1-315	Thumb Screw	2
32	SV1-223	9mm E-clip	2
33	005-124	M6-1.0x42mm Phillips Pan Head Screw	2
34	SV1-912G	Bag Wrap Arm Assembly	2
35	SV1-225	M4 Nut	4
36	SV1-226	M4 Screw	4



Item #	Part #	Description	Qty
1	009-011	Mid Fitting	1
2	009-006	Mid Brace	1
3	005-028	M6-1.0x60mm Phillips Pan Head Screw	1
4-5	SV1-906L-__	Left Outrigger Tube Kit	1
6	005-404	Rod Replacement Kit	1
7	SV1-202	M6-1.0 Nylock Nut	3
8	005-012L	Left Wheel Fitting	1
9	005-029	M6-1.0x30mm Phillips Pan Head Screw	3
10	SV1-701L-__	Left Wheel Assembly (color specific)	1
11	005-020	Rear Axle	1
12	MC1-233	9mm E-clip	1
13	005-031	M12-1.75 Nylock Nut	1
14	005-021A	12mm Flat Washer	1
15	005-063A	Outrigger Tube End Plug	2
16	SV1-401	O-Ring	2

Adjusting the Brake:

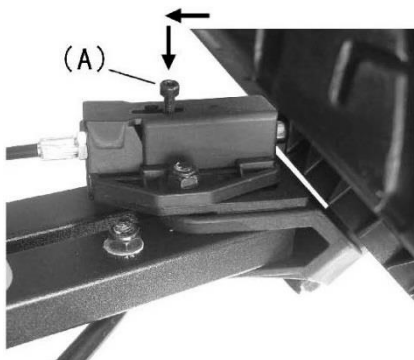
The brake cable lengthens over time and as a result, the brake pin hits the disc brake. To tighten the brake cable, turn the brake cable adjustment stud clockwise (item 7) until the brake pin has enough clearance.



Item #	Part #	Description	Qty
1	MC1-338	Brake Lever Mount	1
2	MC1-268	M4-0.7x35mm Phillips Pan Head Screw	2
3	SV1-225	M4-0.7 Nylock Nut	2
4	MC1-902	Brake Level with Linkage	1
5	MC1-270	M6-1.0x22mm Phillips Pan Head Screw	1
6	SV1-202	M6-1.0 Nylock Nut	1
7	MC1-903	Brake Cable Adjustment Stud and Nut	1
8	005-419	Brake Cable Kit and Hardware	1
9	Refer to 8	Brake Cable Sheathing	1
10	SV1-306	Brake Cable Sheathing Clip	6
11	MC1-273	3x10mm Phillips Pan Head ST Screw	6
12	MC1-274	M4x5mm Phillips Pan Head Screw	1
13	MC1-275	Brake Cable Stud	1

Brake Lock Out

If the brake cable fails, You will need to disengage the brake pin. To do so, flip the cart upside down and pull screw (A) back and into the locked position as shown.



Maintenance:

Fertilizers and other chemicals used on golf courses can be corrosive over time. To keep the powder-coated finish of your Speed Cart in good condition, wash your cart regularly with a damp wash cloth and mild detergent.

Limited Warranty:

Sun Mountain warrants the Speed Cart V1 to be free of defects in materials and workmanship. The cart frame (two parallel tubes from the handle to the wheel) is warranted for 3 years from date of purchase. Other parts such as the tires, brakes, handle wrap, etc. are warranted for 1 year from date of purchase. This warranty does not cover normal wear and tear, damage, failure or loss resulting from misuse, accident, neglect or failure to follow instructions or warnings in this user's guide.

IMPORTANT!

Pulling the Speed Cart V1 behind a power cart or using it as part of a rental fleet voids the warranty. Sun Mountain is the sole judge of any claim or warranty. Proof of purchase is required.

Warranty Registration:

Please register your item by visiting our Customer Care section at www.sunmountain.com

Claim Procedure:

If you have a claim covered by the warranty, please call our customer service staff to identify and resolve the problem.

If it is deemed necessary to return your cart, a return authorization number will be provided by the customer service agent. This number **MUST** be included on the product or package being returned.

For claim information, please call 1-800-227-9224.

Admit it. You enjoy the minutia of golf.

The fact that minor details such as alignment, grip pressure and



weight shift can greatly alter any



shot makes golf a challenge.

It makes golf a great game.

At Sun Mountain, we believe that like the world's greatest game, the world's greatest gear is also



in the details.



This is why we never stop tinkering, inventing and improving our bags, carts and outerwear.

Perfection may be unattainable, but as golfers we pursue it anyway.

For customer service or replacement parts
call 1-800-227-9224

Visit our web site at
www.sunmountain.com



301 N. 1st Street W.
Missoula, MT 59802

