

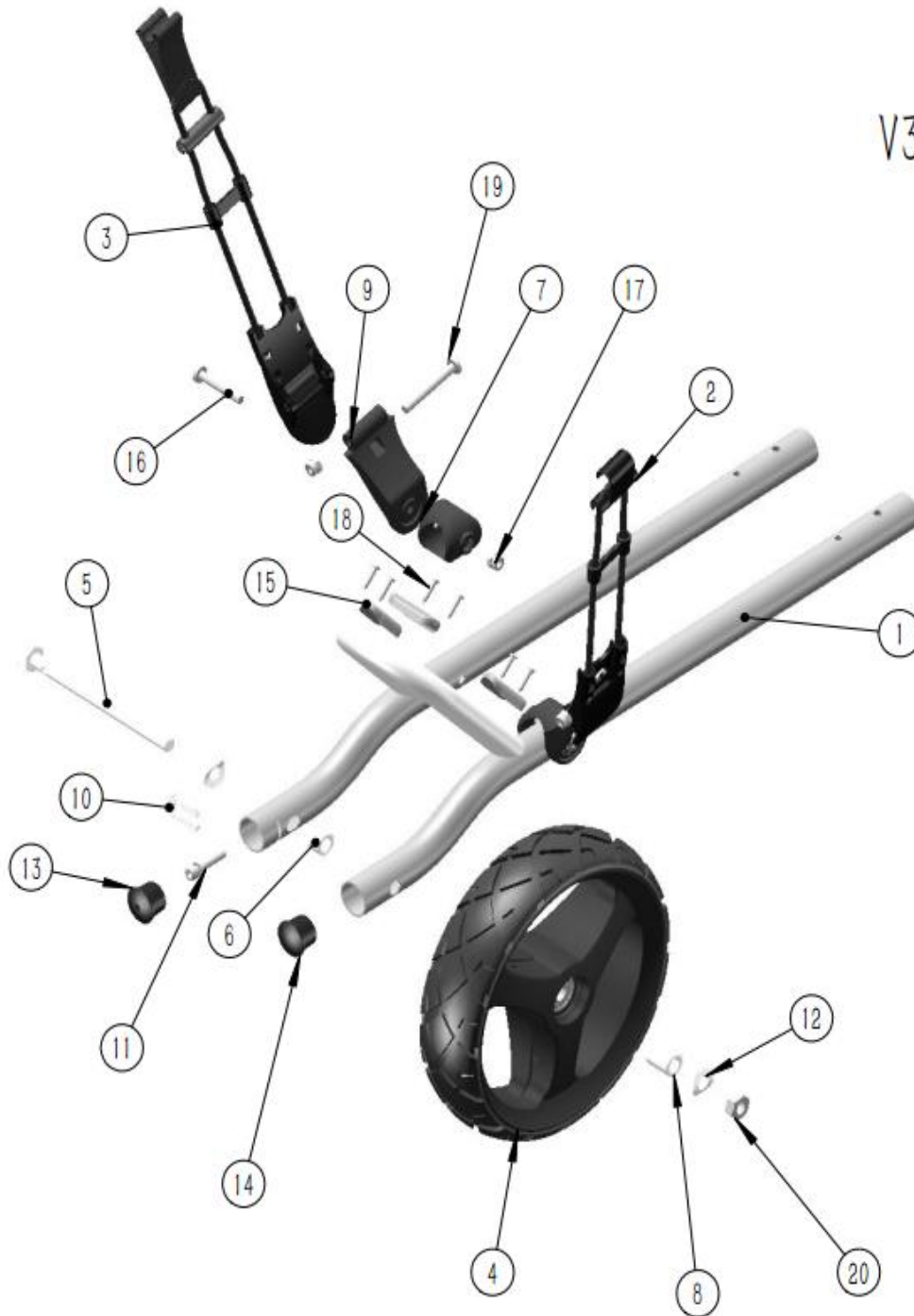
**Note: Unless Specified as a Pathfinder 3 or Pathfinder 4 Part,
All Parts work on Both Pathfinder 3 & Pathfinder 4 Carts.**

PATHFINDER 3

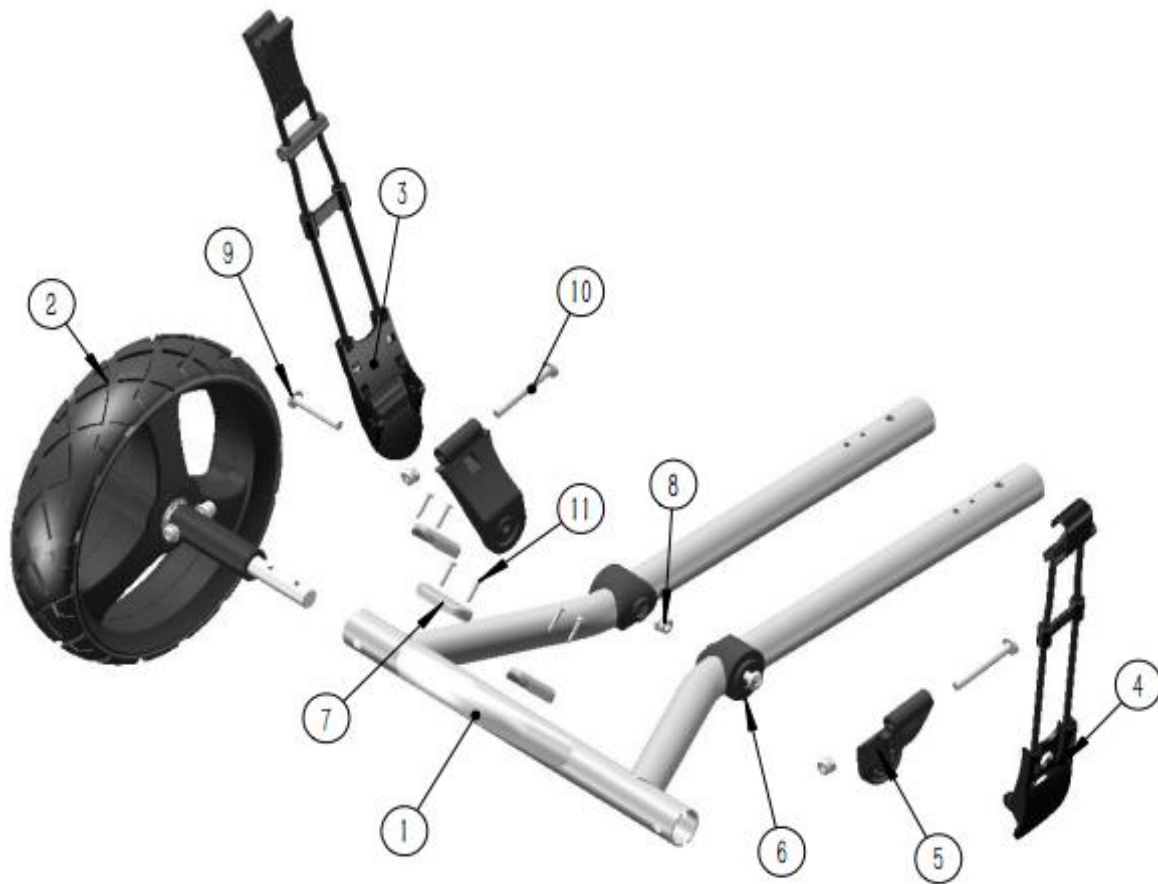
This Users Guide is meant to be a reference for Customer Service and is not intended for use by Customers. If necessary, with Chad's permission, you can send the PDF to Customer for a more specific reference to the Part needed.

This Users Guide list SKUs which can be Ordered, not all Parts.

I have added 'notes' to help with some Parts.



ITEM	STOCK CODE	DESCRIPTION	QTY
1	Not a Warrantied Part	PATHFINDER 3 LOWER MAIN FRAME	1
2	PFC-080A-L	LOWER-PATHFINDER BAG BRACKET KIT Kit: Both Hook & Tab Brackets. Individual Parts are NOT Sold Separately. Note: The Lower & Upper Pathfinder Bag Bracket Kits are NOT the same.	1 Kit
3			
4		PATHFINDER 3 FRONT WHEEL (COLOR SPECIFIC) PFC-701BK; BLACK, PFC-701BSB; BIG SKY BLUE, PFC-701OG; ORANGE, PFC-701RD; RED, PFC-701WT; WHITE Note: Includes Front Axle, Tracking Screw and all Hardware. Note: The Pathfinder 3 and Pathfinder 4 Front Mag Wheels are NOT the same. Unfortunately I created Confusing SKUs: Pathfinder 3 Front Wheel; PFC-701_ Pathfinder 4 Front Mag Wheel; PFC-701A-__	1
5	PFC-100	PATHFINDER 3 FRONT WHEEL AXLE Note: Included with PFC-701_ Pathfinder 3 Front Mag Wheel.	1
6	PFC-100-L	LEFT-PATHFINDER 3 FRONT WHEEL AXLE BUSHING	1
7	009-137	BAG BRACKET PIVOT Note: One (1) Pivot. I do not believe this Part is included in PFC-080A-L.	2
8	PFC-100-R	RIGHT-PATHFINDER 3 FRONT WHEEL AXLE BUSHING	1
9	PFC-080A-L	LOWER-PATHFINDER BAG BRACKET KIT Note: See 2 & 3.	NA
10	PFC-099	PATHFINDER 3 TRACKING CAM	1
11	PFC-123	SCREW FOR PATHFINDER 3 TRACKING CAM Note: This Screw is Adjusted using the 5MM Allen Wrench included with the Cart.	1
12	RFX-552	WAVE WASHER 10MM ID - 22MM OD-1.5MM THICK	1
13	MC1-309B	LOWER TUBE END PLUG-FRONT TRACKING	1
14	MC1-309	TUBE END PLUG	1
15	007-066BK	RUBBER CUSHION-SMOOTH-BLACK Note: One (1) Cushion. Each 007-066BK comes with 2x Screws, 005-141. Note: Only in Black.	3
16	009-087	SCREW M6x40MM-PPH	2
17	SV1-202	M6 NYLON NUT	2
18	005-141	SCREW M3x12MM SHEET METAL-PPH WITH 7MM WASHER HEAD	6
19	SV1-229	SCREW M6x42+8MM SHOULDERED-PPH	2
20	SV1-222	NUT M10 NYLON	1

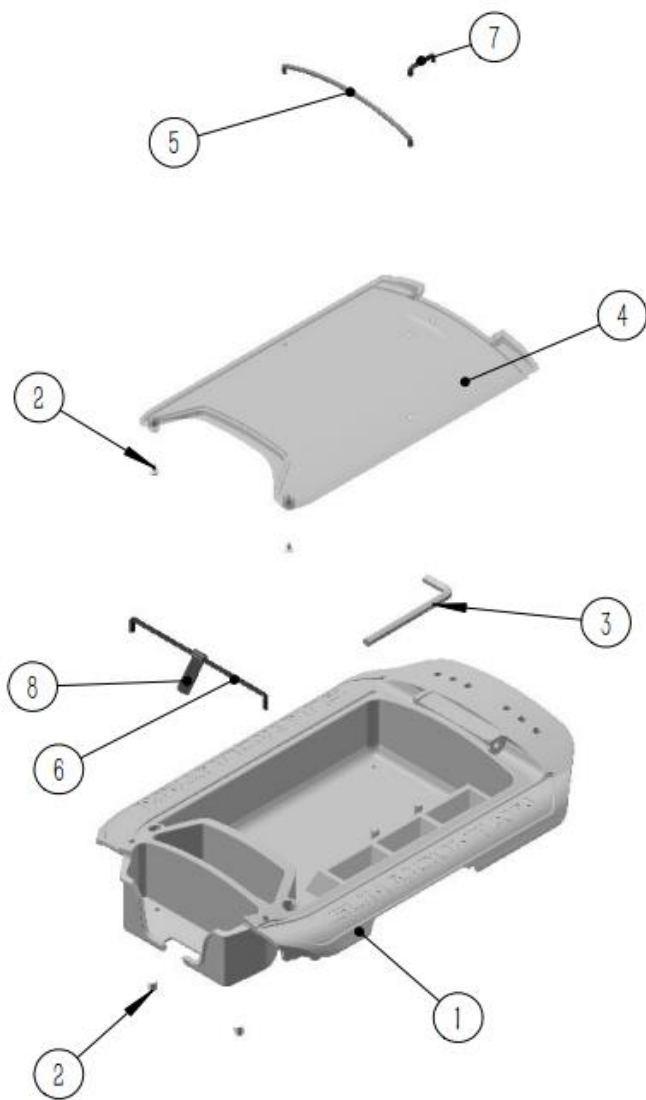


ITEM	STOCK CODE	DESCRIPTION	QTY
1	Not a Warranted Part	PATHFINDER 4 LOWER FRAME	1
2		<p>PATHFINDER 4 FRONT MAG WHEEL (COLOR SPECIFIC) PFC-701A-BK; BLACK, PFC-701A-BSB; BIG SKY BLUE, PFC-701A-OG; ORANGE, PFC-701A-RD; RED, PFC-701A-WT; WHITE</p> <p>Note: Includes BLACK Wheel Center Cap, Washer, and Nut; and 2x BEARING, MC3-127.</p> <p>Note: The Pathfinder 3 and Pathfinder 4 Front Mag Wheels are NOT the same. Unfortunately I created Confusing SKUs: Pathfinder 3 Front Wheel; PFC-701_ Pathfinder 4 Front Mag Wheel; PFC-701A-_ Note: Pathfinder 4 Front Mag Wheels are Not the Same As MC3 Front Wheels.</p>	2
		<p>Not Pictured: MCS-341A-BK</p> <p>ROUND FRONT WHEEL AXLE CAP-BLACK WITH NO LOGO</p> <p>Note: Includes Washer, and Nut. Note: Included with PF4 Front Wheels.</p>	2
3	PFC-080A-L	<p>LOWER-PATHFINDER BAG BRACKET KIT</p> <p>Kit: Both Hook & Tab Brackets. Individual Parts are NOT Sold Separately. Note: The Lower & Upper Pathfinder Bag Bracket Kits are NOT the same.</p>	1 Kit
4			
5			
7	009-137	<p>SET OF 2 BAG BRACKET PIVOTS</p> <p>Note: Included in PFC-080A-L.</p>	2
7	007-066B	<p>RUBBER CUSHION-SMOOTH-BLACK</p> <p>Note: One (1) Cushion. Each 007-066BK comes with 2x Screws, 005-141.</p>	3
8	SV1-202	M6 NYLON NUT	2
9	009-087	SCREW M6x40MM-PPH	2
10	SV1-229	SCREW M6x42+8MM SHOULDERED-PPH	2
11	005-141	SCREW M3x12MM-PPH 7MM WASHER HEAD SHEAT METAL	6

The Pathfinder 4 Cart uses the Pre-GT Micro Cart Front Axle System:
MC1-225, FRONT AXLE, MC2-340, FRONT AXLE BUSHING WITH TRACKING,
and MC2-911, AXLE TRACKING SCREW KIT.

Note: ALL Axles include O-Rings.

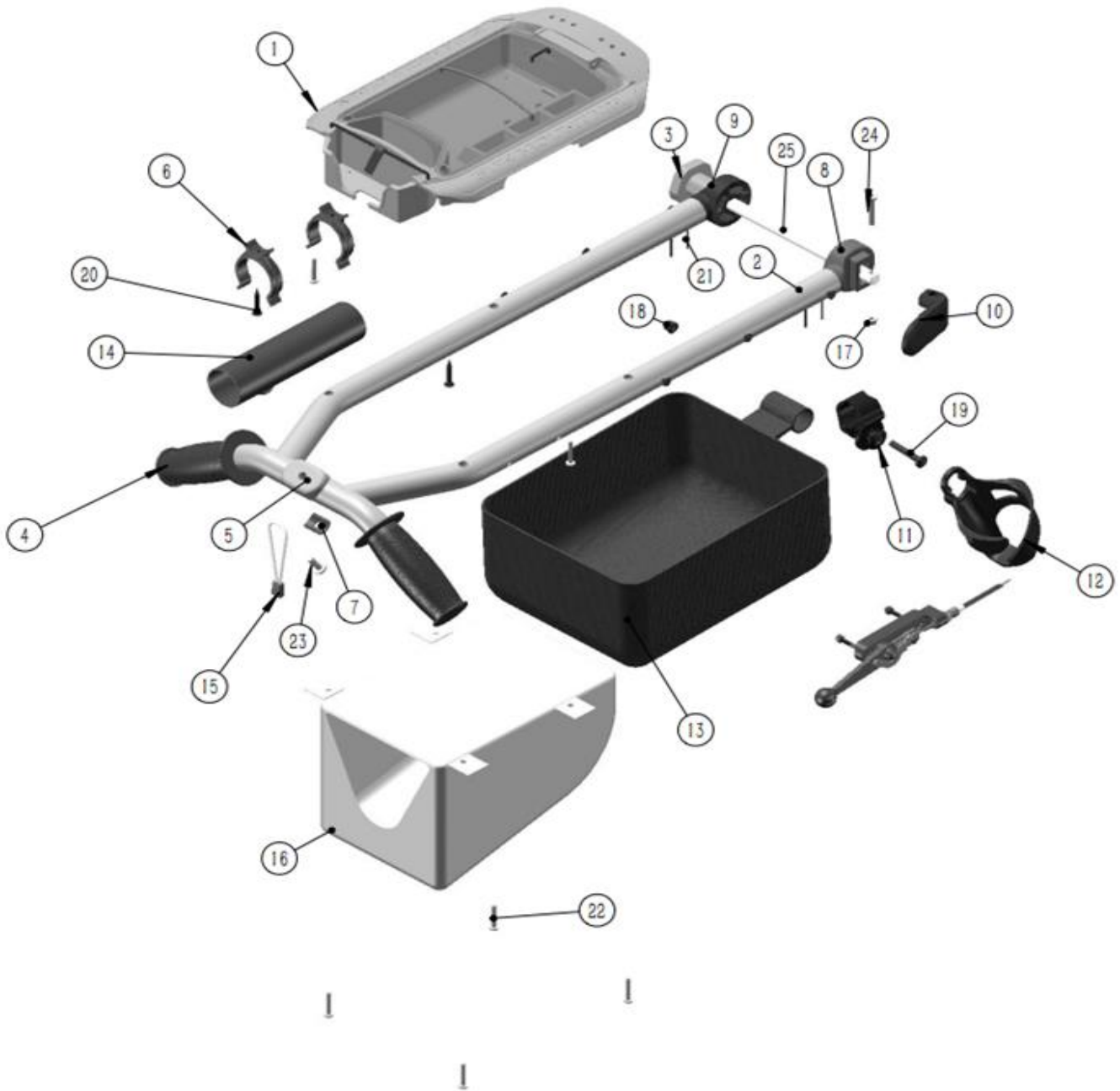
Note: All of the Parts on the following Pages are the same on Both the Pathfinder 3 and Pathfinder 4 Cart.



ITEM	STOCK CODE	DESCRIPTION	QTY
1	BOM ONLY	CAVITY-PATHFINDER ACCESSORY TRAY ASSEMBLY- COMPLETE (COLOR SPECIFIC) ONLY SOLD AS COMPLETE ACCESSORY TRAY ASSEMBLY: PFC-901BK&BK; BLACK WITH BLACK LID, PFC-901BK&TGY; BLACK WITH TRANSPARENT GRAY LID, PFC-901BSB; BIG SKY BLUE WITH TRANSPARENT GRAY LID, PFC-901CM; CEMENT GRAY WITH TRANSPARENT GRAY LID Note: Includes Everything pictured on Page 5, and attachment Screws, and SV1-903B, UMBRELLA HOLDER CLIP KIT.	1
2	SV1-501	M6x6MM MAGNET	4
9	MC1-343	M5 ALLEN WRENCH	1
4	BOM ONLY	LID-PATHFINDER ACCESSORY TRAY ASSEMBLY- COMPLETE (COLOR SPECIFIC) ONLY SOLD AS COMPLETE ACCESSORY TRAY ASSEMBLY: Note: See 1.	1
5		SCORE CARD BUNGEE (COLOR SPECIFIC) 005-139A-BK; BLACK, 005-139A-RD; RED	1
6		CELL PHONE TRAY BUNGEE (COLOR SPECIFIC) VGT-080; BLACK, VGT-080RD; RED	1
7		PINCEL/PEN BUNGEE (COLOR SPECIFIC) 005-139B-BK; BLACK, 005-139B-RD; RED	1
8	VGT-121	TAB-CELL PHONE TRAY BUNGEE	1

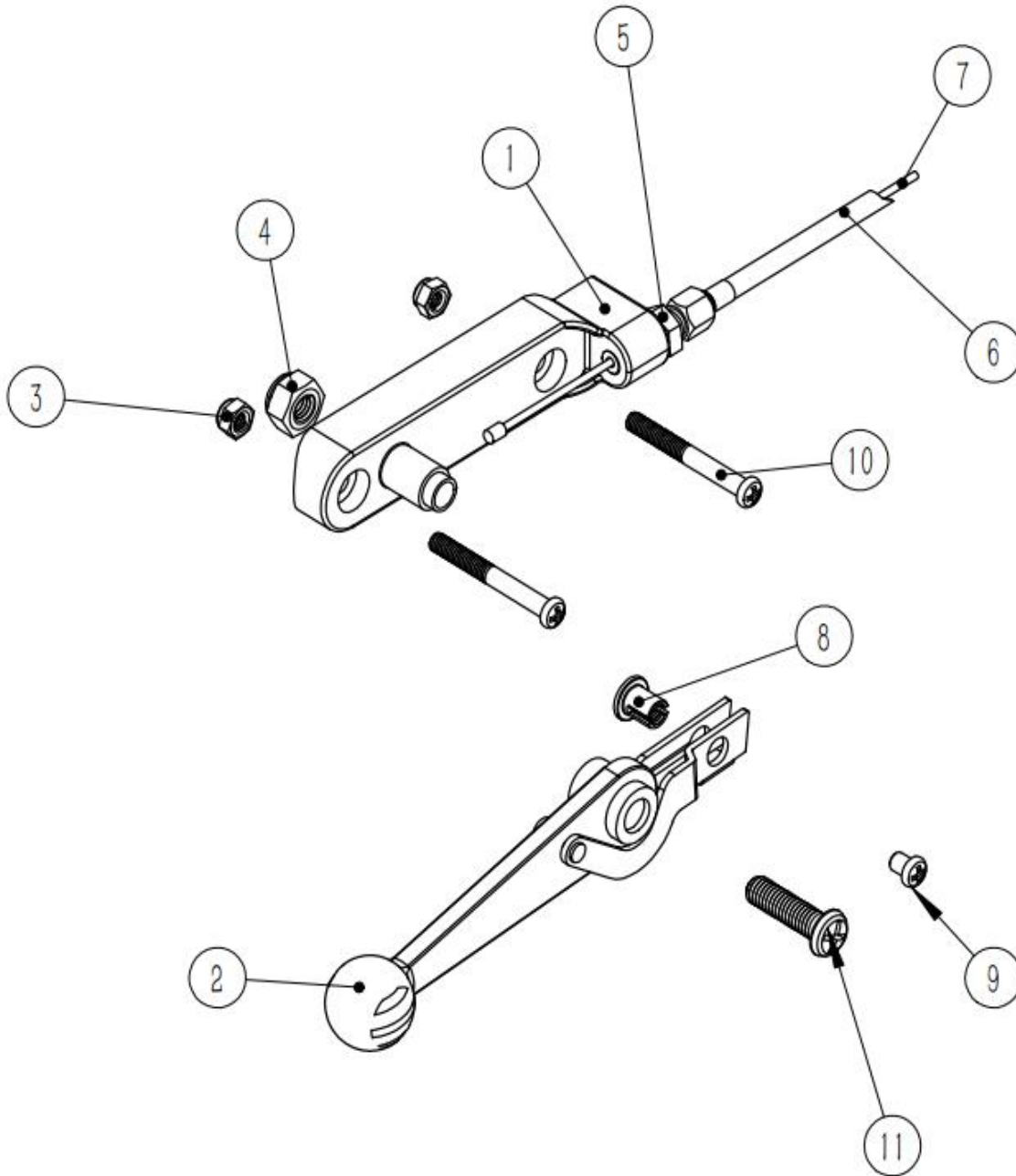


ITEM	STOCK CODE	DESCRIPTION	QTY
1	PFC-080A-U	UPPER-PATHFINDER BAG BRACKET KIT Kit: Both Hook & Tab Brackets. Individual Parts are NOT Sold Separately. Note: The Upper & Lower Pathfinder Bag Bracket Kits are NOT the same.	1 Kit
2			
3	Not a Warrantied Part	PATHFINDER UPRIGHT TUBE The Pathfinder 3 Cart and the Pathfinder 4 Cart have Different Graphics, are Left & Right Specific, & Different SKUs but, since they are 'Not a Warrantied Part', there is no need to list them in this Users Guide.	2
4	PFC-413	PATHFINDER UPPER BAG WRAP WITH BUNGEE BRACKETS Kit: Includes PFC-080A-U. Note: This Part is Riveted on.	1
5	MC1-309	TUBE END PLUG	2
6	SV1-229	SCREW M6x42+8MM SHOULDERED-PPH	2
7	SV1-202	M6 NYLON NUT	2
8	RC3-102	RIVET M5x15MM	4

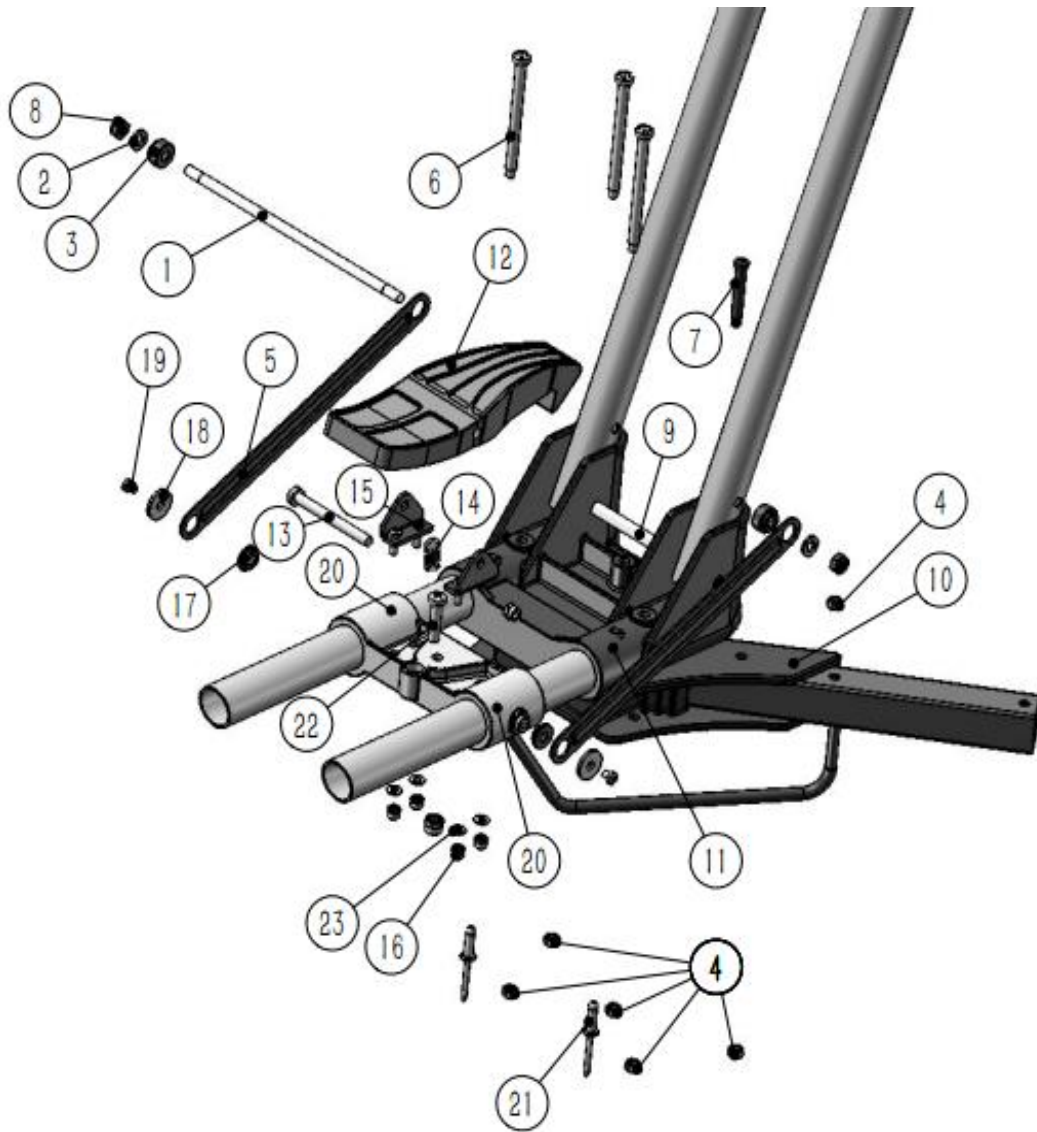


ITEM	STOCK CODE	DESCRIPTION	QTY
1		<p>PATHFINDER ACCESSORY TRAY ASSEMBLY-COMPLETE (COLOR SPECIFIC) PFC-901BK&BK; BLACK WITH BLACK LID (Use PFC-901BK&TGY), PFC-901BK&TGY; BLACK WITH TRANSPARENT GRAY LID, PFC-901BSB; BIG SKY BLUE WITH TRANSPARENT GRAY LID, PFC-901CM; CEMENT GRAY WITH TRANSPARENT GRAY LID, Note: Includes attachment Screws and SV1-903B, UMBRELLA HOLDER CLIP KIT.</p>	1
2		<p>PATHFINDER HANDLE ASSEMBLY-COMPLETE (COLOR SPECIFIC) PFC-423BK; BLACK, PFC-423BSB; BIG SKY BLUE, PFC-423CGR; CACTUS GREEN, PFC-423CGY; CEMENT GRAY, PFC-423IRD; INFERNO RED, PFC-423MGY; MAGNETIC GRAY, PFC-423QS; QUICKSAND, PFC-423WT; WHITE</p>	1
3	MC3-353C-BK	<p>TWIST KNOB-HANDLE LATCH KIT-COMPLETE Note: This Twist Knob, MC3-353C-BK, needs to be twisted onto 2 sets of threads. Customers may be confused by this. Note: Included in PFC-905. Note: Black Only</p>	1
4	MC3-705	<p>SET OF 2 RUBBER HANDLE GRIPS-BLACK Note: Black Only.</p>	2
5	SV1-903C	<p>UMBRELLA HOLDER MOUNT KIT-COMPLETE Note: Includes Mount, Concave Washer, and Screw.</p>	1
6	SV1-903B	<p>UMBRELLA HOLDER CLIP KIT-COMPLETE</p>	2
7	MC1-207	<p>CONCAVE WASHER 6.4MM</p>	1
8	MGT-311	<p>RIGHT-HANDLE PIVOT FITTING</p>	1
9	MGT-310	<p>LEFT-HANDLE PIVOT FITTING</p>	1
10	PFC-905	<p>LATCH-HANDLE LATCH KIT-COMPLETE Note: Included in PFC-905. Note: Black Only</p>	1
11	009-089	<p>ACCESSORY BRACKET KIT Note: Includes Bracket (Knob), Screw and Nut. Note: 009-089, ACCESSORY BRACKET KIT, is included with ALL GT Accessories.</p>	1
12	G623140	<p>REGULAR BEVERAGE HOLDER (Holds 12 oz) Note: Includes Accessory Bracket Kit. Note: G623133, XL BEVERAGE HOLDER (Holds 4.5" Bottle), also available.</p>	1
13	MGT-140A	<p>PATHFINDER MESH HANDLE TRAY</p>	1
14	MC1-905	<p>UMBRELLA HOLDER AND BUNGEE Note: Includes MC1-703, UMBRELLA BUNGEE WITH CLASP. Note: G623348, 2018 UNIVERSAL UMBRELLA HOLDER, also available. G623348 will be replacing MC1-905, but some Customers may prefer MC1-905.</p>	1

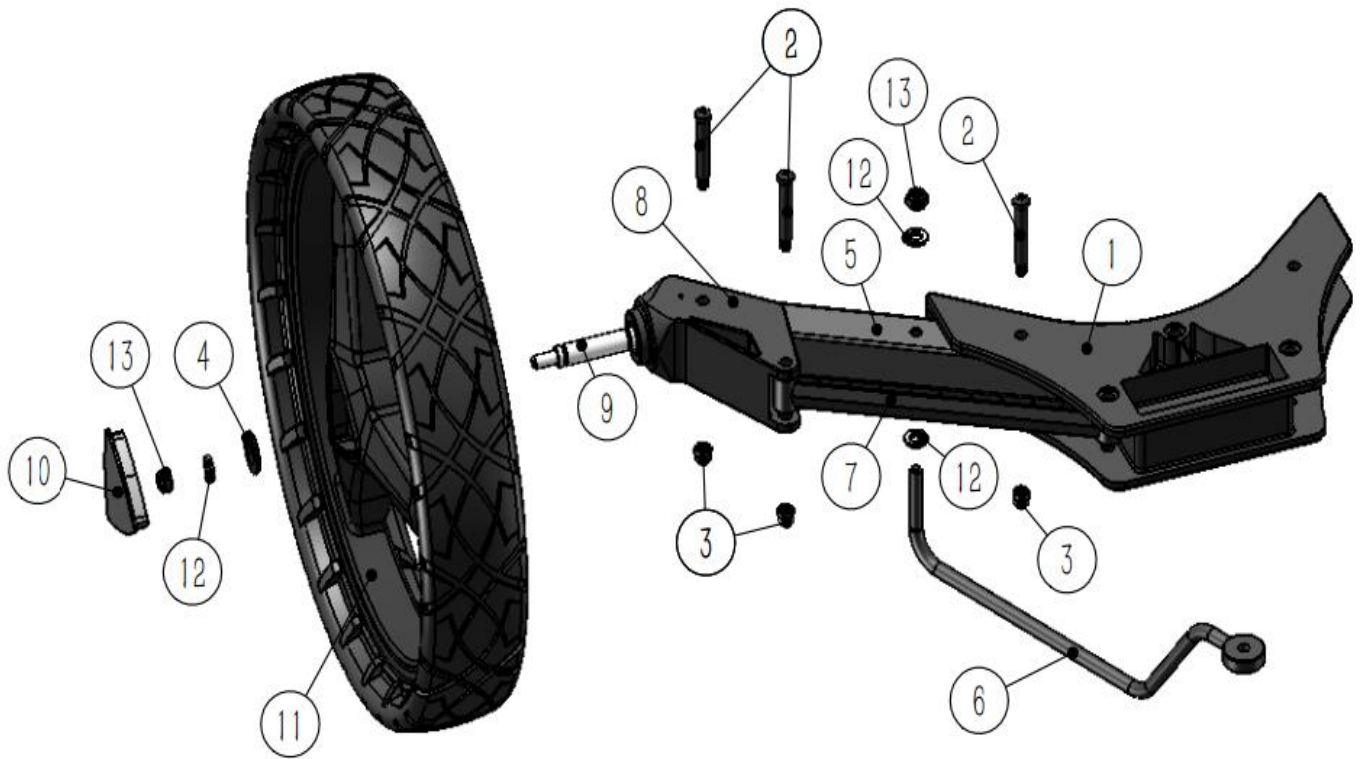
ITEM	STOCK CODE	DESCRIPTION	QTY
15	MC1-703	UMBRELLA HOLDER BUNGEE W/CLASP Note: Included with MC1-905 and G623348.	1
16		VALUABLES POUCH (COLOR SPECIFIC) G623220; BLACK, G623221; GRAY, G623222; GUNMETAL	1
17	SV1-221	M5 NYLON NUT	1
18	SV1-202	M6 NYLON NUT	1
19	009-090	SCREW M6x30+5MM SHOULDERED-PPH	1
20	005-122A	SCREW M4x16MM SHEAT METAL-PPH	2
21	RC3-102	RIVET M5x15MM	4
22	MC1-206	SCREW M4x20MM SHEAT METAL-PPH	6
23	SV1-210	SCREW 1/4"x20MM STAINLESS STEEL-PPH	1
24	SV1-220	SCREW M5x24+6MM SHOULDERED-PPH	1
25	PFC-905	HANDLE LATCH KIT-COMPLETE Note: Includes Draw Bolt (Pictured), Latch, Twist Knob, Screw, and Nut. Note: Black Only. Important Note: See Twist Knob Notes; Item # 3 on Page 10.	1



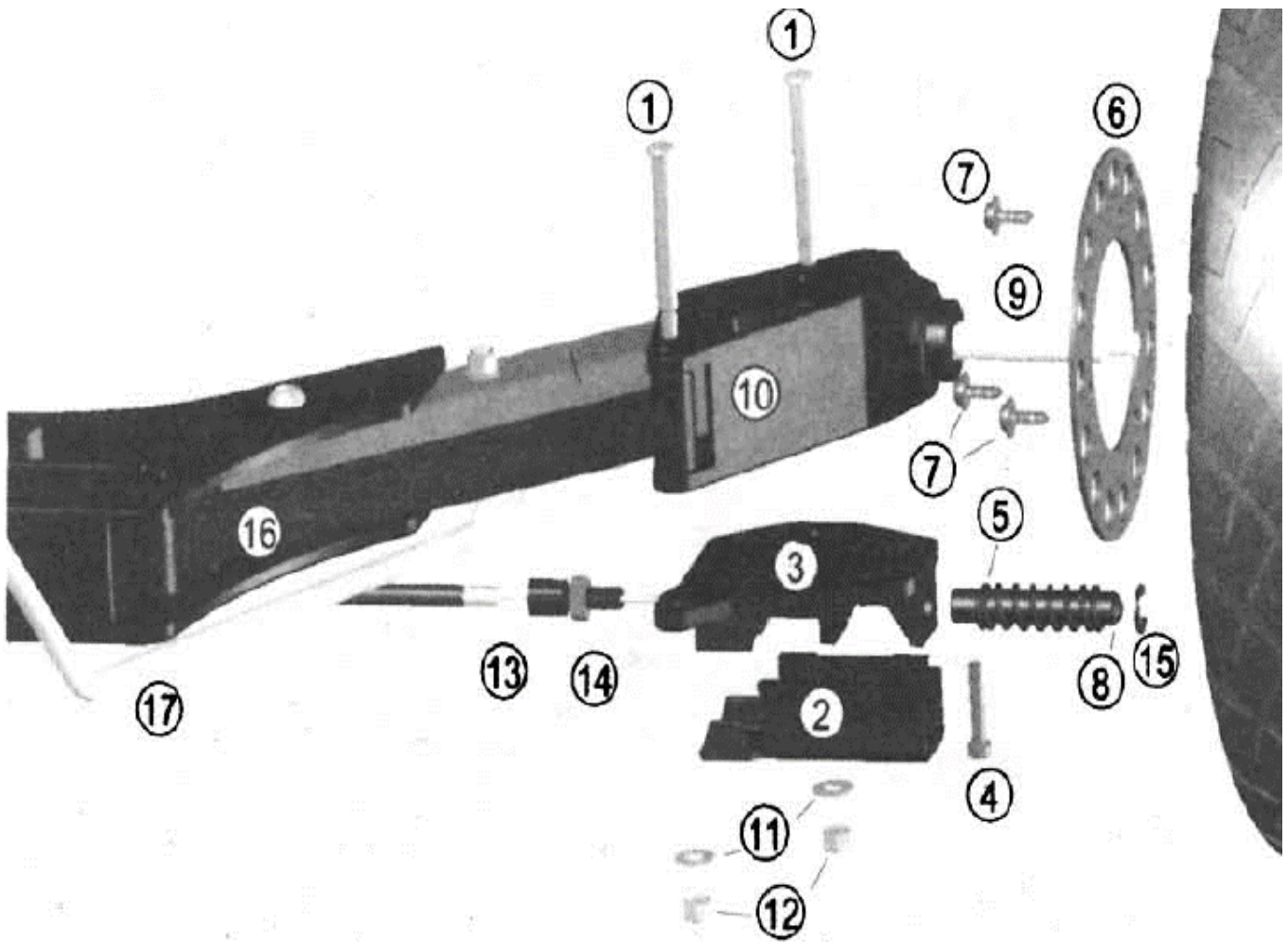
ITEM	STOCK CODE	DESCRIPTION	QTY
1	MC1-338	BRAKE LEVER MOUNT Note: Included in Disc Style Brake Kits, MC2-915C, and MC2-916. Note: Accessory Tray must be removed to replace this Part.	1
2	MC1-902	BRAKE LEVER W/LINKAGE Note: Includes Screw, and Nut.	1
	SV1-225	M4 NYLON NUT	2
4	SV1-202	M6 NYLON NUT	1
5	MC1-903	UPPER-BRAKE CABLE ADJUSTMENT STUD & NUT Note: Included in Brake Kits.	1
6		DISC BRAKE CABLE KIT (COLOR SPECIFIC) SV1-915; BLACK, SV1-915GY; GRAY, SV1-915OG; ORANGE, SV1-915RD; RED Note: DISC BRAKE CABLE KIT does NOT include the MC1-902, BRAKE LEVER W/LINKAGE, which must be Ordered Separately. NOTE: MC2-915C, DISC BRAKE KIT-COMplete does NOT come in colors. Order BOTH MC2-915C AND SV1-915_.	1 Kit
7			
8	MC1-275	BRAKE CABLE LEVER STUD Note: Included in Brake Cable Kits and Brake Kits.	1
9	MC1-274	SCREW M4x5MM PPH Note: Included in Brake Cable Kits and Brake Kits.	1
10	MC1-268	SCREW M4x35MM PPH	2
11	MC1-270	SCREW M6x22MM PPH	1



ITEM	STOCK CODE	DESCRIPTION	QTY
1	MC3-234	M6x160MM BOLT	1
2	MC1-235	WASHER 6MM ID - 14MM OD	2
3	MC1-253	ROTATING RING-UPRIGHT LINK Note: Included in MC1-238A, UPRIGHT LINK KIT-COMPLETE.	2
4	SV1-221	M5 NYLON NUT	9
5	MC1-238A	UPRIGHT LINK KIT-COMPLETE Note: Includes 2x Upright Links, Pivot Post, Rotating Ring, Screws, Washers & Nuts.	2
6	MC1-239	SCREW M5x69.4+4MM SHOULDERED-PPH	3
7	MC1-226	SCREW M5X39MM PPH	2
8	SV1-202	M6 NYLON NUT	5
9	MC1-242	M6-φ8x142.4MM LOWER MILLED DRAW BOLT	1
10	MC3-322	OUTRIGGER FITTING Note: Verify with Customer that they need MC3-322, OUTRIGGER FITTING, and Not MC3-329, UPRIGHT TUBES MAIN FITTING. Note: I Changed the Name of this Part to OUTRIGGER FITTING to avoid Confusion with MC3-329, UPRIGHT TUBES MAIN FITTING.	1
11	MC3-329	UPRIGHT TUBES MAIN FITTING Note: This Part is Riveted on. Note: Verify with Customer that they need MC3-329, UPRIGHT TUBES MAIN FITTING, and Not MC3-322, OUTRIGGER FITTING.	1
12	MGT-909BK	LOWER FOOT LATCH KIT-COMPLETE-BLACK Note: Includes Foot Latch, Spring, Slider, Screws, and Nuts. Note: Black Only.	1
13	009-092	SCREW M5x65+5MM SHOULDERED-PPH	1
14	MGT-909BK	SPRING-LOWER FOOT LATCH KIT-COMPLETE Note: See 12. Note: Black Only.	1
15	MC3-333A	LEVER PIVOT-SLIDER Note: See 20. Note: Black Only.	2
16	SV1-225	M4 NYLON NUT	4
17	MC1-236	PIVOT POST-UPRIGHT TUBE Note: Included in MC1-238A, UPRIGHT LINK KIT-COMPLETE.	2
18	MC1-250	WASHER 4MM ID - 14MM OD	2
19	MC1-251	M4x6MM SCREW PPH W/10MM WASHER HEAD	2
20	MC3-333A	SLIDER Note: The Customer should check their Cart for Damage. They may need to Order MC1-238A and/or MGT-909BK as well.	1
21	RC3-102	RIVET-M5x15MM Note: 005-067, SCREW M6x16MM SHEETMETAL PPH, can be used in place of Rivets.	2
22	MC1-246	SCREW M5x22+6MM SHOULDERED-M5 ALLEN HEAD	1
23	MC1-342	LOCK WASHER 4MM ID - 8MM OD-INTERNAL TEETH	4



ITEM	STOCK CODE	DESCRIPTION	QTY
1	MC3-322	<p>OUTRIGGER FITTING</p> <p>Note: Verify with Customer that they need MC3-322, OUTRIGGER FITTING, and Not MC3-329, UPRIGHT TUBES MAIN FITTING.</p> <p>Note: I Changed the Name of this Part to MC/PFC OUTRIGGER FITTING to avoid Confusion with MC3-329, UPRIGHT TUBES MAIN FITTING.</p>	1
2	MC1-226	SCREW M5x39MM-PPH	3
3	SV1-221	M5 NYLON NUT	3
4	NA	This Part is not used on Pathfinder Carts.	
5	MC1-107BK	<p>OUTRIGGER TUBE</p> <p>Note: Universal, works on Both Left & Right side.</p> <p>Note: Black Only.</p>	2
6		<p>DELTA LINK KIT-COMPLETE (COLOR SPECIFIC)</p> <p>MC1-229; BLACK, MC1-229GY; GRAY, MC1-229RD; RED</p> <p>Note: Includes Both Upper & Lower Delta Links, Washers, Nuts, and Screw.</p>	1
7	MC1-277	<p>PARALLEL LINK KIT-COMPLETE</p> <p>Note: Includes Both Parallel Links.</p> <p>Note: Black Only.</p> <p>Note: The Parallel Link with the extra plastic curve on one side is for the Non-Brake Side.</p>	1
8	MC3-337	<p>RIGHT-REAR WHEEL FITTING</p> <p>Note: Includes Rear Axle, Washer, and Nut.</p>	1
9	MC3-324 LEFT OR MC3-337 RIGHT	<p>REAR AXLE</p> <p>Note: ALL Axles Include O-Rings.</p> <p>Note: Included with Wheel Fitting. Designate Left or Right.</p>	1
10	V1S-327RNL-BK	REAR MAG WHEEL AXLE CAP-BLACK WITH NO LOGO	2
11		<p>REAR MAG WHEEL-RIGHT (NON-BRAKE) SIDE (COLOR SPECIFIC)</p> <p>MC3-702BK; BLACK, MC3-702BSB; BIG SKY BLUE, MC3-702OG-BK&OG; ORANGE, MC3-702RD-WT&RD; RED, MC3-702WT; WHITE</p> <p>Note: Includes BLACK Wheel Center Cap, Washer, and Nut; and 2x BEARING, MC3-127.</p> <p>IMPORTANT NOTE: Both the Pathfinder 3 and Pathfinder 4 Carts use the MC3 Rear Mag Wheel . These Wheels are NOT the same as the V1 Mag Rear Wheel. They use differnt Bearings.</p>	1
12	MC1-215	WASHER 6MM ID - 12MM OD	3
13	SV1-202	M6 NYLON NUT	2



ITEM	STOCK CODE	DESCRIPTION	QTY
1	MC1-245	SCREW M5x39+5MM SHOULDERED-PPH	2
2	MC2-915C	BRAKE PIN HOUSING ONLY SOLD AS PART OF MC2-915C.	1
3	MC2-915C	BRAKE PIN HOUSING MOUNTING BASE ONLY SOLD AS PART OF MC2-915C.	1
4	SV1-203	SCREW M4x20MM-3MM ALLEN HEAD	1
5	MC2-915C	BRAKE SPRING ONLY SOLD AS PART OF MC2-915C.	1
6	MC3-259	BRAKE DISC NOTE: This Brake Disc is NOT included in MC2-915C, DISC BRAKE KIT-'COMPLETE'. Note: Includes attachment Screws	1
7	V1S-260	SCREW M3x20MM PPH SHEET METAL 10MM HEAD	3
8	MC2-915C	BRAKE PIN ONLY SOLD AS PART OF MC2-915C.	1
9	MC3-324 LEFT OR MC3-337 RIGHT	REAR AXLE Note: ALL Axles include O-Rings. Note: Included with Wheel Fitting. Designate Left or Right.	1
10	MC3-324	LEFT-REAR WHEEL FITTING Note: Includes Rear Axle, Washer, and Nut.	1
11	MC1-215	WASHER 6MM ID - 12MM OD	2
12	SV1-221	M5 NYLON NUT	2
13	MC1-903A	LOWER-BRAKE CABLE ADJUSTMENT STUD & NUT Note: Included in Brake Kits.	1
14	MC1-224	M6 NUT	1
15	SV1-206	E-CLIP M6x0.8MM	1
16	MC1-277	PARALLEL LINK KIT-COMplete	1
17		DELTA LINK KIT-COMplete (COLOR SPECIFIC) MC1-229; BLACK, MC1-229GY; GRAY, MC1-229RD; RED Note: Includes Both Upper & Lower Delta Links, Washers, Nuts, and Screw.	
		REAR MAG WHEEL-LEFT (BRAKE) SIDE (COLOR SPECIFIC) Note: This Wheel is the Same As Item # 11 on Page 17. IMPORTANT NOTE: If the Customer Also wants a Brake Disk Attached: Order MC3-259 and in Comments say Attach Brake Disc.	1
End of Document			eof