

# Micro Cart™

## User's Guide

To take full advantage of the ergonomic features of your new Sun Mountain Micro Cart, please read the following information.





**Your Micro Cart has several innovative features designed for convenience, easy access and use.**



- Parking brake.



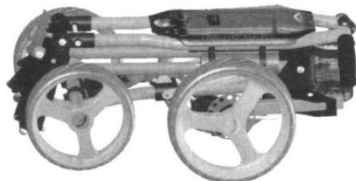
- Integrated tee and pencil holder.

- Padded valuables tray with magnetic lid.



- Solid foam tires.

- Folds down in seconds to fit in your trunk.  
Folded dimensions: 24"X16"X12.5"



## INSTRUCTIONS FOR UNFOLDING YOUR MICRO CART

### STEP ONE: UNFOLDING THE UPRIGHT TUBES

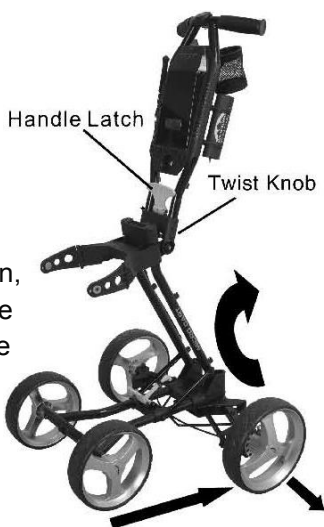


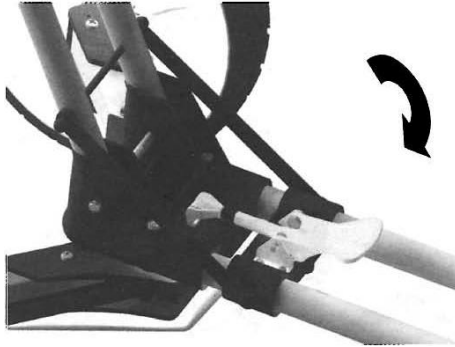
Release the folding latch underneath the accessory tray by lifting up on the rim of the cup holder. While holding the front wheel in place with your hand or foot, pull the handle back until the upright tubes are fully extended. Secure the cart by engaging the yellow latch hook and lever as shown in the illustration on page 4. If your lever is too tight, loosen the nut at the base of the latch hook,

turn the latch hook until the lever is comfortable to maneuver, and retighten the nut.

### STEP TWO: SECURING THE HANDLE

Lift the handle, until the handle height is comfortable. Move the yellow handle latch forward toward the upper bag rest to secure the handle. Over time, the handle tension may decrease causing the handle to ratchet. To increase the tension, simply turn the twist knob clockwise in small increments until the handle is secure. It is easiest to make this adjustment when the cart is folded.





### **STEP THREE: ADJUSTING THE HANDLE HEIGHT**

To reset the handle height, release the handle by pulling the handle latch toward the accessory tray. Lift or lower the handle to the new height and secure the handle latch.

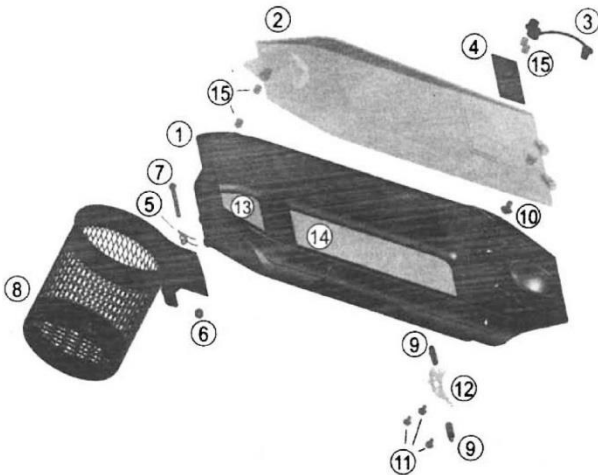
### **STEP FOUR: LOADING YOUR GOLF BAG**

Unfold the triangular lower bag support and place the bottom of your golf bag on it. Then lean the top part of your bag into the upper bag support. The bag bracket secures your bag without straps. The width of the upper bag support can be adjusted by turning the thumb screws on both sides. If your bag pockets are touching the front wheels, you may expand the front axle. See page 13 for instructions.

### **STEP FIVE: STEERING**

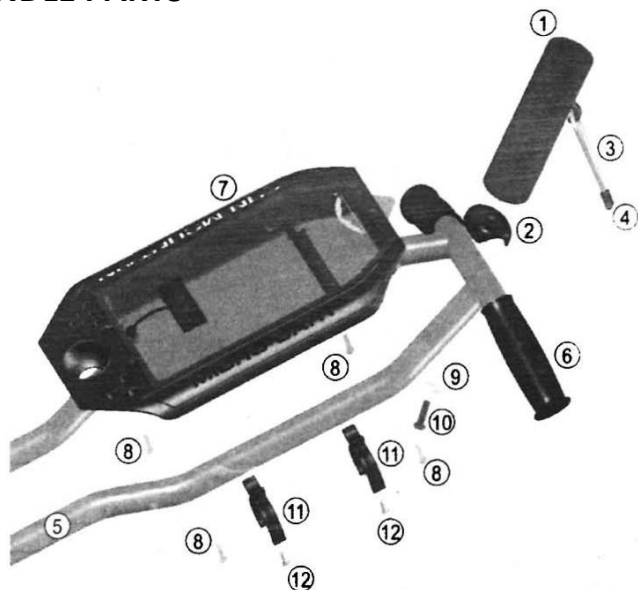
To steer you cart, push down on the handle so the front wheels lift slightly off the ground. Then pivot right or left to change direction, lower the front wheels and go.

## ACCESSORIES TRAY ASSEMBLY

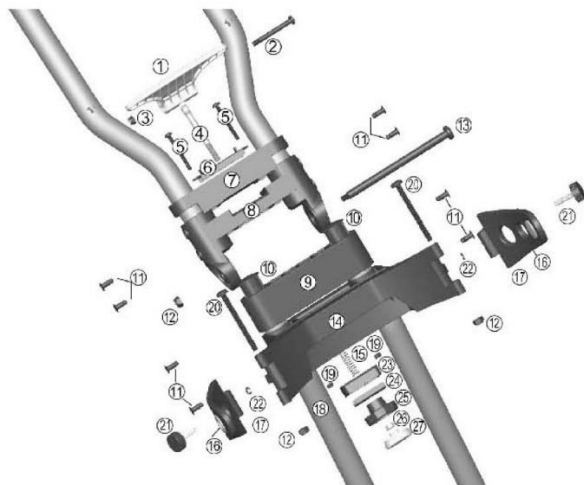


Item #	Part #	Description	Qty
1-2	MC1-901	Tray Assembly	1
3	MC1-501	Magnet Strap with Magnets	1
4	MC1-502	Magnet Plate	1
5	MC1-201	Torsion Spring	1
6	SV1-225	M4-0.7 Nylock Nut	1
7	MC1-278	M4-0.7x44mm Phillips Pan Head Screw	1
8	MC1-910	Beverage Holder Kit	1
9	MC1-304	Hinge Post	2
10	MC1-203	3.6x6mm Phillips Pan Head Screw w/washer	1
11	MC1-204	M3x5mm Mill Cauda with Pan Head Screw	3
12	MC1-205	Spring Plate	1
13	MC1-701	Upper Tray Pad	1
14	MC1-702	Lower Tray Pad	1
15	MC1-706	6.35X6.35 Magnet	4

## HANDLE PARTS

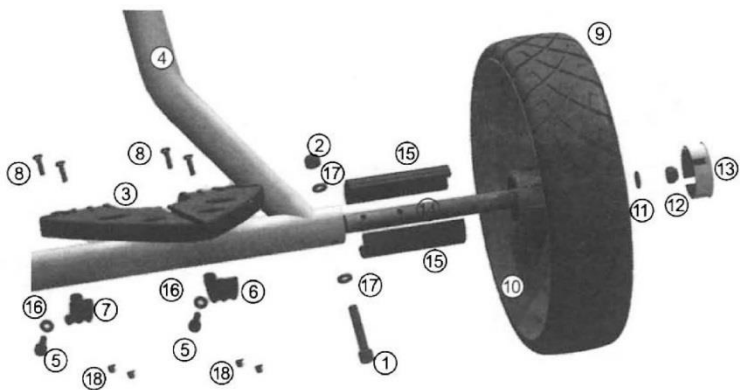


Item #	Part #	Description	Qty
1	MC1-905	Umbrella Holder Receiver	1
2	SV1-903A	Umbrella Mount Kit	1
3-4	MC1-703	Umbrella Holder Bungee w/Clasp	1
5	MC1-914_	Handle Tube Assembly (cart/color specific)	1
6	MCS-705_	Handle Grip (color specific)	2
7	MC1-901	Accessories Tray Assembly	1
8	MC1-206	4x20mm Phillips Pan Head Screw	4
9	SV1-209	6.4mm Washer	1
10	SV1-210	¼"X20mm Phillips Pan Head Screw	1
11	SV1-903B	Umbrella Clip Kit	1
12	005-122	M4x12mm Phillips Pan Head Screw	2



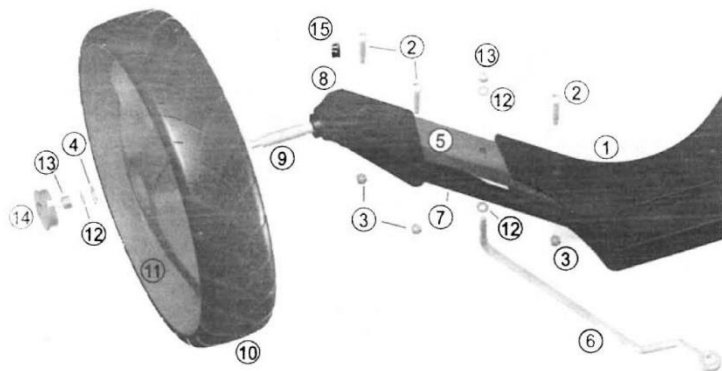
Item #	Part #	Description	Qty
1	MCS-910_	Handle Latch Assembly (color specific)	1
2	MC3-282	M5x43.5 Phillips Pan Head Screw	1
3	SV1-221	M5 Nylock Nut	1
4	MC3-283	Link	1
5	005-110	M4x40mm Phillips Pan Head Screw	2
6	MC3-285	Upper Mount Plate	1
7	MC3-349	Pivot Cap	1
8	MC3-350	Handle Pivot	1
9	MC3-351	Brace	1
10	MC1-309	Tube End Plug	2
11	MC1-213	M5x12mm Phillips Pan Head Screw	8
12	SV1-202	M6 Nylock Nut	3
13	MC1-210	M6x125.5mm Bolt	1
14	MC1-312	Upper Bag Support	1
15	MC3-286	Spring	1
16	MCS-341_	Bag Wrap Cushion (color specific)	2
17	SV1-912_	Bag Wrap (color specific)	2
18	NA	Main Frame	
19	MC1-249	M4 Nylock Nut	2
20	MC1-218	M6-1.0x65mm Phillips Pan Head Screw	2
21	MC1-315	Thumb Screw	2
22	SV1-223	3mm E-clip	2
23	MC3-352	Grip Mount	1
24	MC3-287	Lower Mount Plate	1
25	MC3-353	Twist Knob	1
26	MC1-224	M6 Nut	1
27	MC3-354	Twist Knob Cap	1



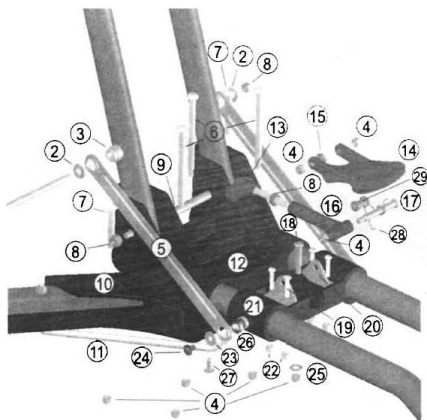


Item #	Part #	Description	Qty
1	MC2-281	M6 X35mm Hexagon Screw	2
2	SV1-202	M6 Nylock Nut	2
3	MC1-912	Lower Bag Support Kit (Old style/no seat slot)	1
	MC3-912	Lower Bag Support Kit (new style/seat slot)	1
4	NA	Main Frame	
5	MC1-221	M4x14mm Screw	2
6-7	MC1-912	Spade Supports (old bag support kit required)	1
	MC3-912	Spade Supports (new bag support kit required)	1
8	MC1-220	M3-0.5x12mm Phillips Pan Head Screw	4
9	MCS-906_	Front Wheel (color specific)	2
10	NA	Front Rim	
11	MC1-215	6-12mm Flat Washer	2
12	MC1-224	M6 Nut	2
13	MCS-327_	Front Rim Center Cap (color specific)	2
14	MC1-225	Front Axle	2
15	MC2-340	Front Axle Bushing	4
16	MC1-342	4x8 Lock Washer Internal Teeth	2
17	MC1-215	6-12mm Flat Washer	4
18	MC1-222	M3-0.5 Nylock Nut	4

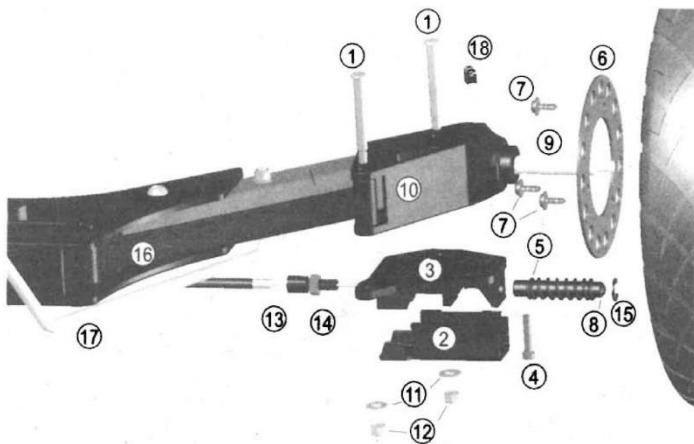
1,2,&17 ship together as a set



Item #	Part #	Description	Qty
1	MC1-322	Main Fitting	1
2	MC1-226	M5x39mm Phillips Pan Head Screw	3
3	SV1-221	M5-0.8 Nylock Nut	3
4	MC1-233	9mm E-Clip	2
5	MC1-107_	Outrigger Tube (color specific)	2
6	MC1-243	Upper Delta Link	1
7	MC1-277	Right Parallel Link	1
8	MC1-337	Right Wheel Fitting	1
9	MC1-230	Rear Axle	2
10	MCS-908_	Right Rear Wheel-No Brake (color specific)	1
	MCS-911_	Left Rear Wheel-w/ Brake (color specific)	1
11	NA	Rear Rim	
12	MC1-215	6-12mm Flat Washer	3
13	SV1-202	M6 Nut	2
14	MCS-327_	Rear Center cap (color specific)	2
15	MC2-346	Pouch Clip	2



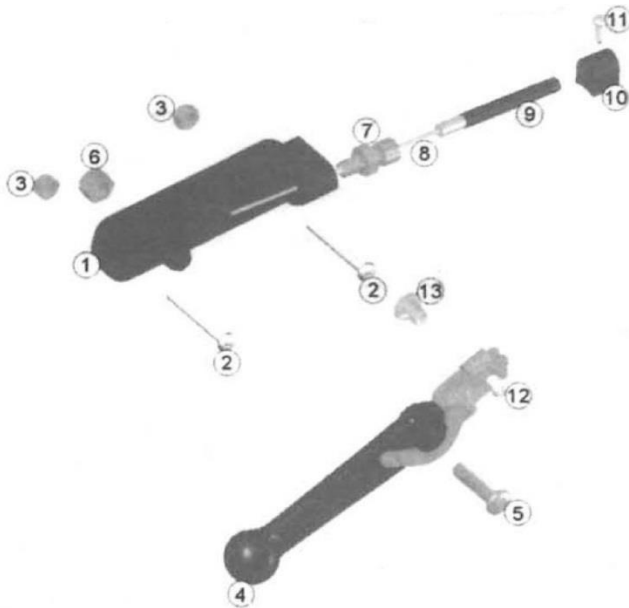
Item #	Part #	Description	Qty
1	MC3-234	M6x160mm Bolt	2
2	MC1-235	6-14mm Flat Washer	2
3	MC1-236	Upright Tube Pivot Post	2
4	SV1-221	M5-0.8 Nylock Nut	9
5	MC1-238	Upright Link	2
6	MC1-239	M5X74.4mm Phillips Pan Head Screw	3
7	MC1-240	M5X39mm Phillips Pan Head Screw	2
8	SV1-202	M6 Nut	5
9	MC1-242	M5-8x142.4mm Lower Milled Draw Bolt	1
10	MC1-322	Main Fitting	1
11	MC1-243	Upper Delta Link	1
12	MCS-329_	Upper Main Frame Fitting (color specific)	1
13-14	MCS-909_	Lower Latch Assembly (color specific)	1
15	MC1-244	M5x12.8 Hexagon Head Bolt	1
16	MCS-909_	Lower Latch Assembly (color specific)	1
17	MC1-245	M5x44.8mm Phillips Pan Head Screw	1
18	MC1-246	M5.28mm Phillips Pan Head Screw	1
19	MC1-247	M4x18mm Phillips Pan Head Screw	4
20	MCS-909_	Lower Latch Assembly (color specific)	1
21	MC1-333	Slider	2
22	MC1-249	M4-0.7 Nylock Nut	4
23	MC1-250	4-14mm Flat Washer	2
24	MC1-251	M4x6mm Phillips Pan Head Screw	2
25	MC1-215	6-12mm Flat Washer	1
26	MC1-253	Upright Link Rotating Ring	2
27	RC3-102	5x15 Rivet	1
28	MCS-909_	Lower Latch Assembly (color specific)	1
29	MC1-254	M5x17.5 Hexagon Head Bolt	1



Item #	Part #	Description	Qty
1	MC1-245	M5-44.8mm Phillips Pan Head Screw	2
2	SV1-302	Brake Housing	1
3	SV1-303	Brake Mounting Base	1
4	SV1-203	M4x20 HEX Screw	1
5	MC1-258	Brake Spring	1
6	MC1-259	Disc Brake	1
7	MC1-260	3x10mm Phillips Pan Head Screw w/washer	3
8	SV1-205	Brake Pin	1
9	MC1-230	Rear Axle	1
10	MC1-324	Left Wheel Fitting	1
11	MC1-215	6-12mm Flat Washer	2
12	SV1-227	M5-0.8 Nylock Nut	2
13	MC1-903A	Lower Brake Cable Adjustment Stud	1
14	SV1-202	M6 Nut	1
15	SV1-206	6x0.8mm E-clip	1
16	MC1-323	Left Parallel Link	1
17	MC1-229	Lower Delta Link	1
18	MC2-346	Pouch Clip	2

## Adjusting the Brake:

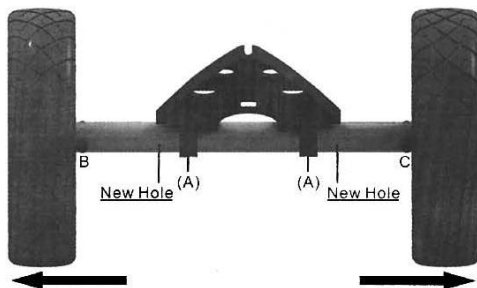
The brake cable lengthens over time and as a result, the brake pin hits the disc brake. To tighten the brake cable, turn the brake cable adjustment stud clockwise (item 7) until the brake pin has enough clearance.



Item #	Part #	Description	Qty
1	MC1-338	Brake Lever Mount	1
2	MC1-268	M4-0.7x35mm Phillips Pan Head Screw	2
3	SV1-225	M4-0.7 Nylock Nut	2
4	MC1-902	Brake Level with Linkage	1
5	MC1-270	M6-1.0x22mm Phillips Pan Head Screw	1
6	SV1-202	M6-1.0 Nylock Nut	1
7	MC1-903	Brake Cable Adjustment Stud and Nut	1
8	005-419	Brake Cable Kit and Hardware	1
9	Refer to 8	Brake Cable Sheathing	1
10	SV1-306	Brake Cable Sheathing Clip	6
11	MC1-273	3x10mm Phillips Pan Head ST Screw	6
12	MC1-274	M4x5mm Phillips Pan Head Screw	1
13	MC1-275	Brake Cable Stud	1

## Extendable Front Axles

If your bag pockets are touching the front wheels, the front axle can be extended to accommodate the larger bag. To extend the front axles, unscrew the four hex screws (A,B,C) using the allen wrench we provided, and pull the wheels outward. There are four holes on each axle; choose the width that works best for your bag and refasten the hex screws.

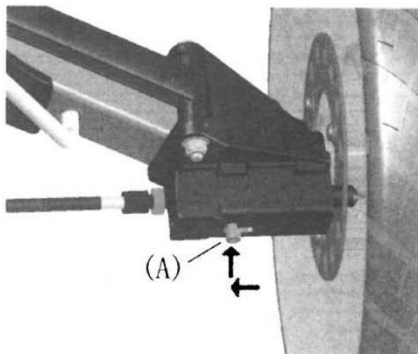


## Adjusting the Alignment:

All Micro-Carts go through alignment testing before they are shipped. However, if your cart is not rolling straight you can adjust the alignment with the internal hex bolt (B & C). If your cart goes right turn the left bolt (B) clockwise and the right bolt (C) counter-clockwise. Conversely, if your cart goes left, turn the left bolt (B) counter-clockwise and the right bolt (C) clockwise.

## Brake Lock Out

If the brake cable fails, you will need to disengage the brake pin. To do so, flip the cart upside down and pull screw (A) back and into the locked position as shown.



## **Maintenance:**

Fertilizers and other chemicals used on golf courses can be corrosive over time. To keep the powder-coated finish of your Speed Cart in good condition, wash your cart regularly with a damp wash cloth and mild detergent.

## **Limited Warranty:**

Sun Mountain warrants the Micro Cart to be free of defects in materials and workmanship. The cart frame (two parallel tubes from the handle to the wheel) is warranted for 3 years from date of purchase. Other parts such as the tires, brakes, handle wrap, etc. are warranted for 1 year from date of purchase. This warranty does not cover normal wear and tear, damage, failure or loss resulting from misuse, accident, neglect or failure to follow instructions or warnings in this user's guide.

### **IMPORTANT!**

Pulling the Speed Cart V1 behind a power cart or using it as part of a rental fleet voids the warranty. Sun Mountain is the sole judge of any claim or warranty. Proof of purchase is required.

## **Warranty Registration:**

Please register your item by visiting our Customer Care section at [www.sunmountain.com](http://www.sunmountain.com)

## **Claim Procedure:**

If you have a claim covered by the warranty, please call our customer service staff to identify and resolve the problem.

If it is deemed necessary to return your cart, a return authorization number will be provided by the customer service agent. This number **MUST** be included on the product or package being returned.

For claim information, please call 1-800-227-9224.

For customer service or replacement parts  
**call 1-800-227-9224.**

Visit our web site at  
[www.sunmountain.com](http://www.sunmountain.com)



301 N. 1st Street W.  
Missoula, MT 59802