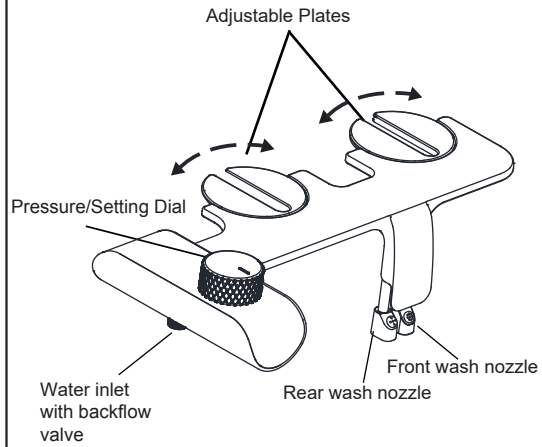
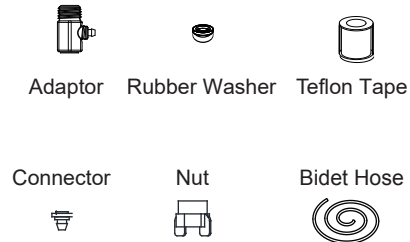


Tudaloo Installation Instructions

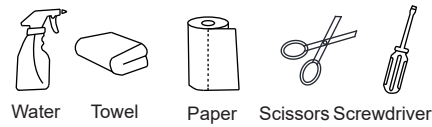
Product Overview



Accessories



Tools You May Need



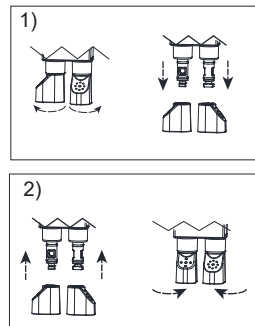
Nozzle Maintenance

Basic Cleaning:

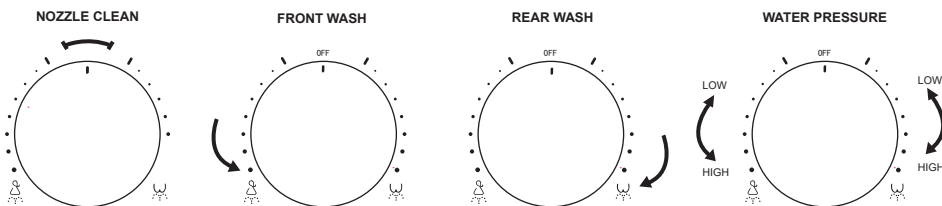
Please pull down the nozzle poles gently, and clean the nozzles with brush, soft cloth or mild detergent.

If nozzles require thorough cleaning, please disassemble the **Nozzle Cap** first.

- 1) **To disassemble:** extend nozzle, then **Nozzle Cap** turns 90° to the left (or right) and remove from the nozzle pole.
- 2) **To assemble:** aim the **Nozzle Cap** for the matching nozzle pole at 90°, attach and turn the **Nozzle Cap** to face forward.



Product Operation

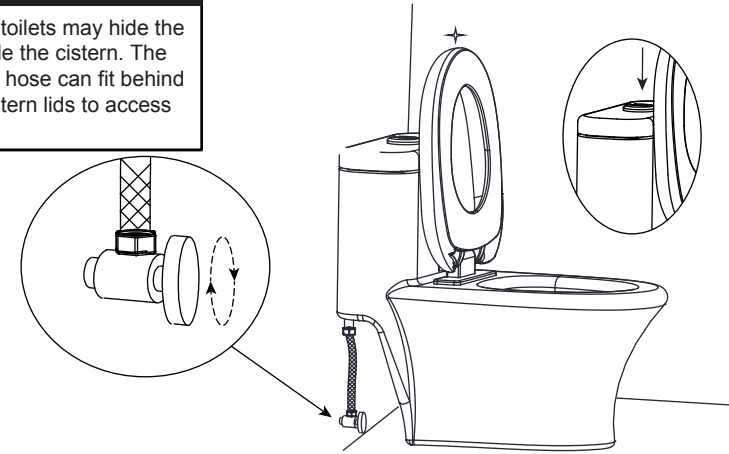


1. Turn off Water Supply Valve

- 1) Turn the water supply off at the wall/inside cistern to stop the flow of water
- 2) Flush toilet and hold to completely empty toilet tank

Tip

Modern toilets may hide the tap inside the cistern. The Tudaloo hose can fit behind most cistern lids to access the tap.

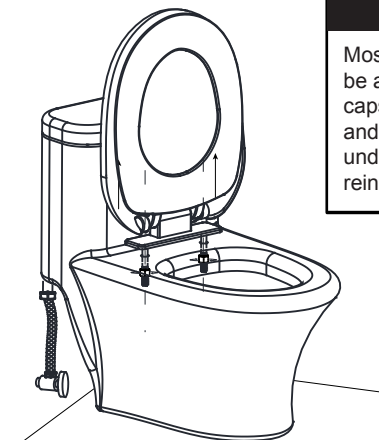


2. Loosen Toilet Seat

- 1) Lift hinge covers and use a screwdriver to loosen the mounting bolts
- 2) Loosen or remove toilet seat
- 3) Clean the toilet and dry the toilet seat surface

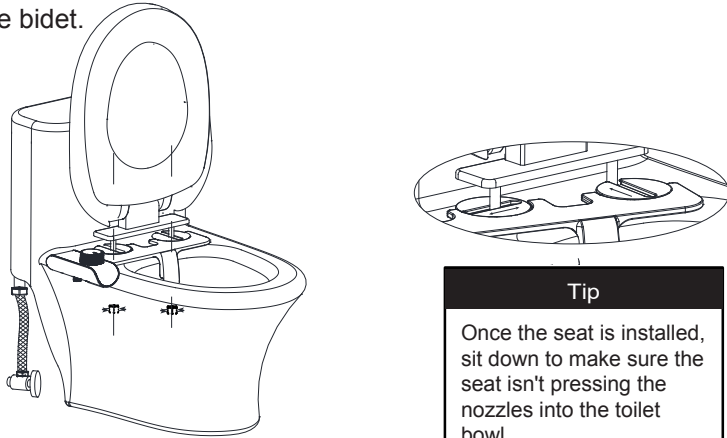
Tip

Most modern toilet seats will be attached to silver/white caps. Remove these caps, and insert Tudaloo underneath, before reinstalling the seat.



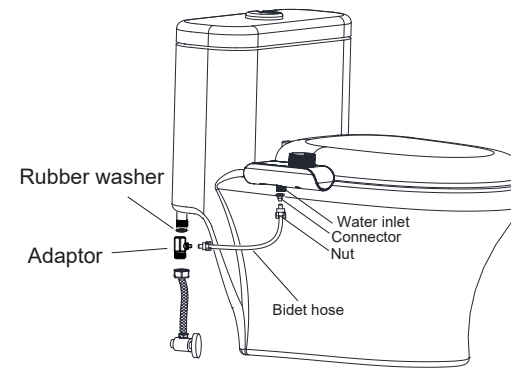
3. Install Tudaloo Attachment on Toilet

- 1) Slide the adjustable plates through the toilet seat mounting bolts
- 2) Rotate the adjustable plates until the open portions are no longer visible.
- 3) Ensure the bidet is centered and that the nozzles are not touching the back of the toilet bowl when they are activated (pull them down lightly to test this)
- 4) Test the toilet seat to ensure it is centered and closes without impeding the bidet.



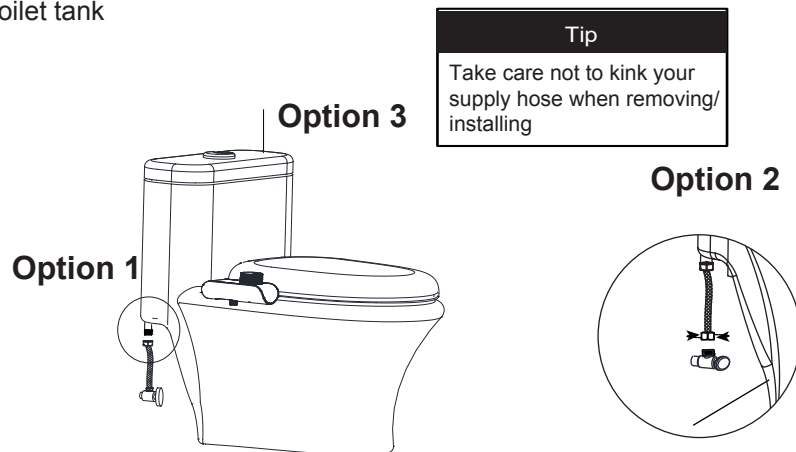
5. Connect Water Supply

- 1) Install the adaptor with rubber washer onto the cold water valve.
- 2) Reconnect the cold water supply line to the adaptor
- 3) Connect the bidet hose to the adaptor
- 4) Connect the other end of bidet hose to the water inlet on the back of the Tudaloo attachment



4. Disconnect Water Supply Hose

- Option 1: Disconnect water supply hose from the fill valve under the toilet tank
Option 2: Disconnect water supply hose to the cold water valve from the wall
Option 3: Disconnect water supply hose to the cold water valve from the inside toilet tank



6. Turn on Water Supply & Check for Leaks

- 1) Open water supply valve slowly and check for leaks
- 2) Wait 5-10 minutes, check again and if there are no leaks, continue

