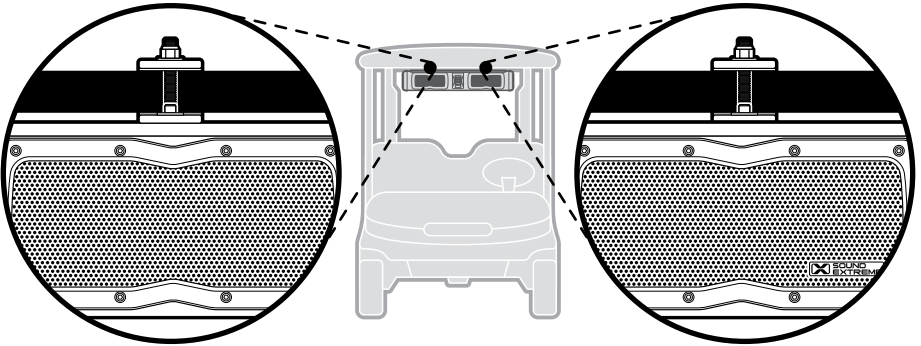


# UNIVERSAL GOLF CAR MOUNTS

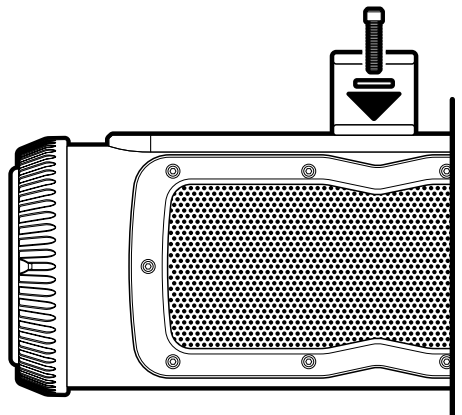
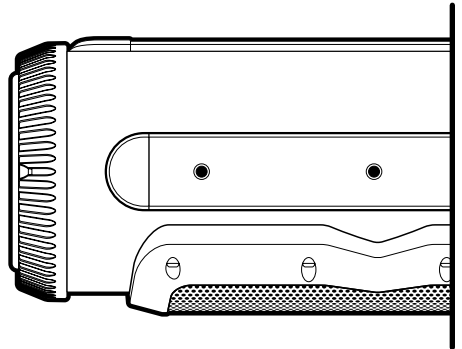
## User Guide | Model: ACC-SEJV6

These Universal Golf Car Mounts allow for a secondary mounting position for all SoundExtreme Powersports Amplified Soundbars onto a 1" x 1" square tube. Please read all of the instructions before you begin installing your soundbar.



## Mounting Instructions

1. In order to properly space out the J-Hook Mounts, first loosely attach them onto the 1/4-20 mounting rail on the top of your soundbar.
2. Next hold your soundbar up to the horizontal, 1" x 1" square tube that you plan on mounting it to.





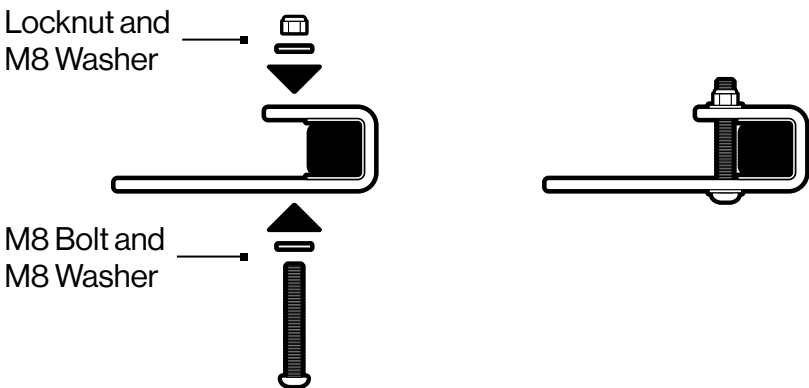
3. Once you have marked the desired mounting location, lay down the 3" Rubber Strip. The Rubber Strip will cover the 3 flat sides that the J-Hook makes contact with the horizontal, square tube.



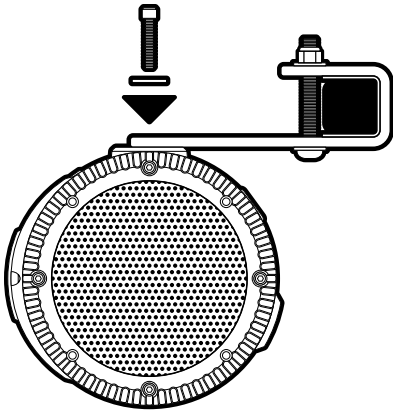
4. Slide the J-Hook Mounts over each Rubber Strip on the horizontal, square tube.

**Note:** The J-Hook Mounts can be positioned above or below the square tube, based on how much clearance you have with the roof of your golf car.

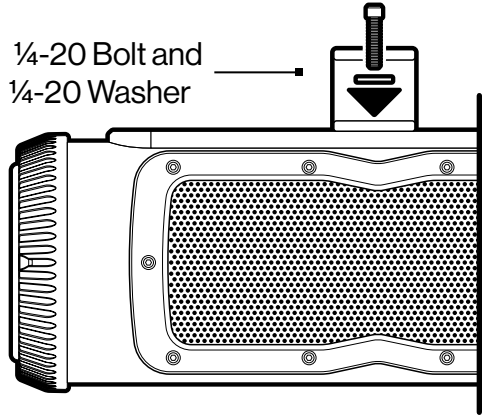
5. The Rubber Strips are designed to fit tightly between the J-Hook Mounts and the square tube. If you having trouble sliding the J-Hook Mounts onto the Rubber Strips while the Mounts are attached to the soundbar, it may be easier to remove them from the soundbar and install them one at a time.



6. Once the J-Hook Mounts are installed on the square tube, secure each into position with the M8 1.25 x 50mm Bolt, 2 Washers, and 1 Nut.

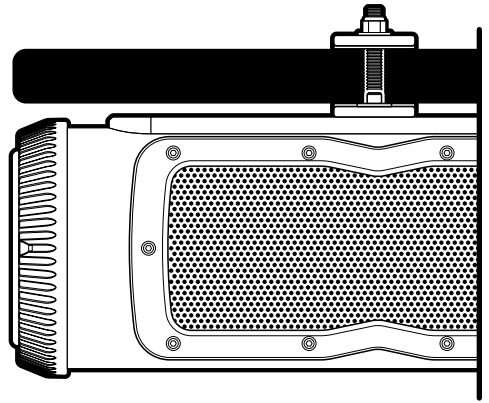


1/4-20 Bolt and  
1/4-20 Washer



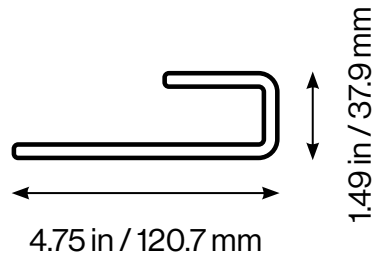
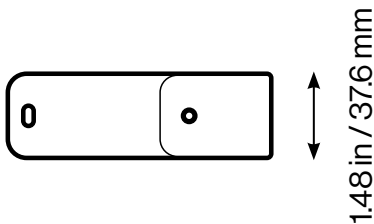
7. Next, you can mount your soundbar to the 2 (or more) J-Hook Mounts that you have installed using the supplied 1/4-20 Bolt and Washer.

8. Be sure to tighten all of your hardware securely in order to finish your installation.



## Specifications

### Dimensions



### Unit Weight

0.55 lbs (each)

### Mount Thickness

Approximately 0.19 in / 4.8 mm

## CAUTION:

This mounting bracket is designed for light-duty, on-road driving applications. If your installation is for an off-road vehicle (UTV/ATV/4x4) used in high-impact driving conditions, please see our website for heavy-duty mounting options recommended for your vehicle.

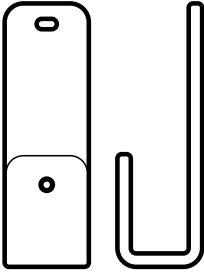
## LIMITED MANUFACTURER'S WARRANTY:

The Universal Golf Car Mounts are covered by a 1-year limited warranty that covers defects in workmanship and / or materials for a period of 1 year from original purchase date. This warranty does not apply to any products which have been abused, neglected, modified or used for a purpose other than the one for which they were manufactured. The warranty is valid only for the original owner who purchases the unit from an authorized dealer. Transfers do not qualify for warranty protection. Grace Digital reserves the right to replace any out-of-stock or discontinued product with a comparable product. Discontinued products may not be available for warranty replacement. Any contents are **NOT** covered by the limited manufacturer's warranty. Warranty terms may be revised without notification at the discretion of the manufacturer. Please visit [www.ecoxgear.com](http://www.ecoxgear.com) for additional product & warranty information.



Universal Golf Car Mounts by ECOXGEAR, a division of Grace Digital Inc., San Diego, California.  
Designed in California. Made in China.

# What's in the Bag



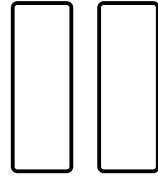
(2x) J-Hooks



(2x) 1/4-20 x 0.75"  
Long SHCS Bolt



(2x) 1/4-20 Washer



(2x) 1/16" Thick x 1"  
Wide x 3" Length  
EPDM Rubber Strip



(2x) M8-1.25 Nylon  
Insert Locknut



(2x) M8-1.25 x 50mm  
Long BHSC Bolt



(4x) M8 Flat Washer



**SOUNDEXTREME**

BY ECOXGEAR