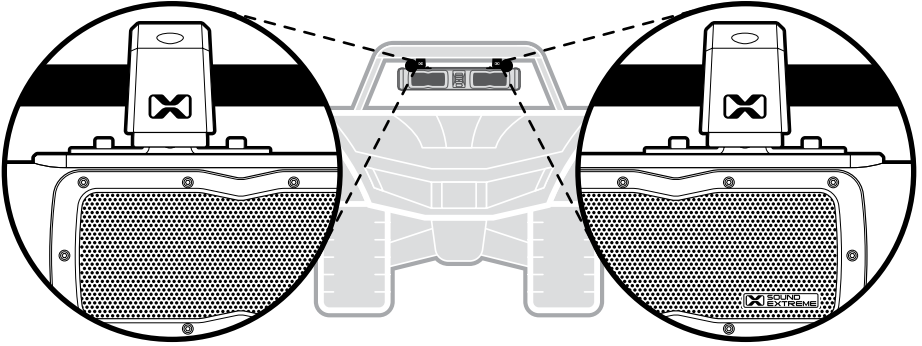


# Soundbar Roll Cage Mounts

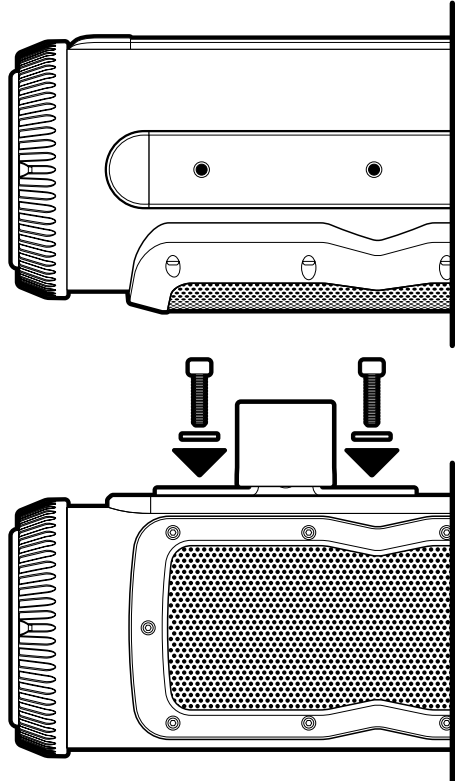
## User Guide | Model: ACC-SERV7

These Roll Cage Mounts allow for a secondary mounting position for all SoundExtreme Powersports Amplified Soundbars onto a 1.5" to 3" round tube. Please read all of the instructions before you begin installing your soundbar.



## Mounting Instructions

1. In order to properly space out the Roll Cage Mounts, first loosely attach the Bottom Clamps onto the  $\frac{1}{4}$ -20 mounting rail on the top of your soundbar.
2. Next hold your soundbar up to the horizontal, tube that you plan on mounting it to. If the mounts are correctly positioned, use the provided Allen Wrench to tighten the bolts and secure the Bottom Clamps into place.

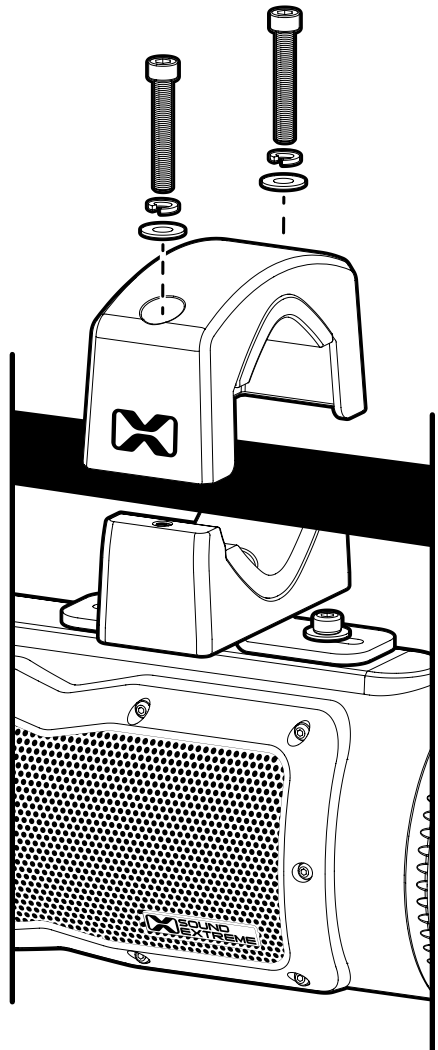
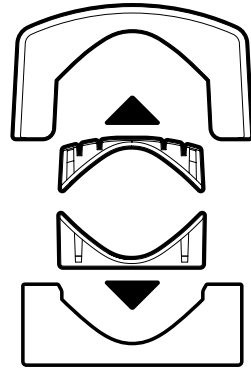


- Put the appropriate Lower Rubber Insert onto the Bottom Clamp. Then put the matching Upper Rubber Insert on the Top Clamp. Align the rubber groove with the bulge of the Clamps and press firmly to assemble the Clamp and Rubber Inserts.

**NOTE:** There are two sets of rubber inserts. The thicker inserts are designed for a 1.5" to 2.5" bar. The thinner inserts are designed for a 2.5" to 3.0" bar.

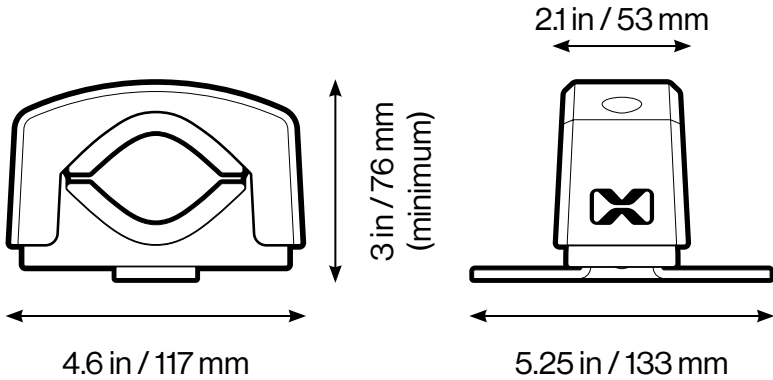
- Place the soundbar under the crossbar. Lower each Top Clamp over the crossbar and onto the Bottom Clamps. Tighten the M6 Bolts and Spring Washers so that the soundbar is securely mounted onto the crossbar.

**RECOMMENDATION:** Use medium strength Loctite or a similar product on the threads of the M6 Bolts and the 1/4-20 Bolts before you screw them in.



# Specifications

## Approximate Dimensions



## Approximate Weight

0.75 lbs (each mount)

---

### CAUTION:

Please check your mounts before each trip to make sure they have not come loose. Serious injury or worse may occur if your soundbar is not secured properly.

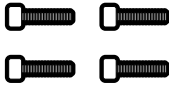
### LIMITED MANUFACTURER'S WARRANTY:

The Soundbar Roll Cage Mounts are covered by a 1-year limited warranty that covers defects in workmanship and / or materials for a period of 1 year from original purchase date. This warranty does not apply to any products which have been abused, neglected, modified or used for a purpose other than the one for which they were manufactured. The warranty is valid only for the original owner who purchases the unit from an authorized dealer. Transfers do not qualify for warranty protection. Grace Digital reserves the right to replace any out-of-stock or discontinued product with a comparable product. Discontinued products may not be available for warranty replacement. Any contents are **NOT** covered by the limited manufacturer's warranty. Warranty terms may be revised without notification at the discretion of the manufacturer. Please visit [www.ecoxgear.com](http://www.ecoxgear.com) for additional product & warranty information.



Soundbar Roll Cage Mounts by SoundExtreme Inc., Houston, Texas.  
Designed in Texas. Made in China.

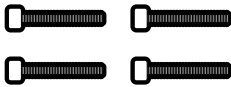
# What's in the Box



(4x) 1/4-20 x 0.75"  
Long SHCS Bolts



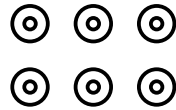
(4x) 1/4-20 Flat  
Washers



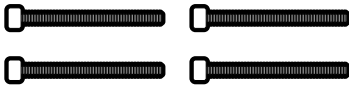
(4x) M6-1.0 x 40mm  
Long BHSC Bolts



(6x) M6 Spring  
Washers



(6x) M6 Flat  
Washers



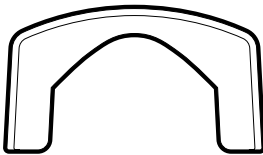
(4x) M6-1.0 x 70mm  
Long BHSC Bolts



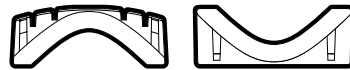
Hex Key for  
1/4-20 Bolts



Hex Key for  
M6 Bolts



(2x) Top and  
Bottom Clamps



(2x) 1.5"-2.5" Top and  
Bottom Rubber Inserts



(2x) 2.5"-3" Top and  
Bottom Rubber Inserts