

HIGH-FIDELITY BELT DRIVE

TURNTABLE SYSTEM

HQ-KZ018



✉ listenerservice@outlook.com

🌐 www.turntables.vip

Introduction

Thank you for purchasing this High Fidelity Belt Drive Turntable. This instruction manual contains important information about safety, usage, and disposal. Use the product as described and keep this manual for future reference. If you sell this turntable or pass it on, also give this manual to the new owner.

Safety Instructions

Read and understand this entire manual before using this product. Keep these instructions for future reference.

1. This device must operate on a power source as specified on the specification label. If you are not sure of the type of power supply used in your home, consult your dealer or local power company.

① Only connect the turntable to a power outlet type as indicated on the marking label or in the "Specifications" section of this instruction manual.

② The rating label has been marked on the bottom or back panel of the device.

2. The turntable has a polarized plug (one pin is wider than the other). To reduce the risk of electric shock, this plug is intended to fit into a polarized outlet in only one orientation. If the plug does not fit fully into the outlet, reverse the plug. If it still does not fit, contact a qualified electrician. Do not attempt to modify the plug in any way.

① If any trouble occurs, disconnect the AC power cord and refer servicing to qualified personnel.

② Don't step on or pinch the power adaptor. Be very careful, particularly near the plugs and the cable's exit point. Do not place heavy items on the power adaptor, which may damage it. Keep the entire device out of children's reach! When playing with the power cable, they can seriously injure themselves.

③ Unplug this device during lightning storms or when unused for a long period.

④ The socket outlet must be installed near the equipment and must be easily accessible.

⑤ Do not overload ac outlets or extension cords. Overloading can cause fire or electric shock.

⑥ Devices with class 1 construction should be connected to a main socket outlet with a protective earthed connection. Devices with class 2 construction do not require an earthed connection.

⑦ Always hold the plug when pulling it out of the main supply socket. Do not pull the power cord. This can cause a short circuit.

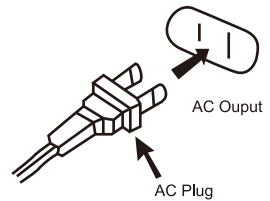
⑧ Do not use a damaged power cord or plug or a loose outlet. Doing so may result in fire or electric shock.

⑨ Protect the power cord from being walked on or pinched, particularly at the power plug, at the point of connection between the plug and outlet, and between the power cable and speaker.

- ⑩ Keep away from animals. Some animals enjoy biting on power cords.
3. This device is not intended for use by people (including children) with physical, sensory, or mental disabilities, or a lack of experience and knowledge unless they're under supervision or have received instructions about the correct use of the device by the person who is responsible for their safety.
4. Refer all servicing to qualified service personnel.
- ① Never remove the casing of this device.
- ② Do not attempt to service the turntable yourself as opening or removing body panels may expose you to dangerous voltage or other hazards.
- ③ The supplier is not responsible for damage or lost data caused by malfunction, misuse, modification of the device, or battery replacement.
- ④ Only use attachments/accessories specified by the manufacturer. Do not use attachments not recommended by the manufacturer as they may cause hazards.
- ⑤ Changes or modifications to the turntable not expressly approved by the party responsible for compliance could void the user's authority to operate the product.
- ⑥ Although this device is manufactured with the utmost care and checked several times before leaving the factory, it is still possible that problems may occur, as with all electrical appliances. If you notice smoke, an excessive build-up of heat, or any other unexpected phenomena, you should disconnect the plug from the main power socket immediately.

CAUTION:

TO PREVENT ELECTRIC SHOCK, MATCH THE WIDE BLADE OF THE PLUG TO THE WIDE SLOT. FULLY INSERT THE PLUG INTO THE MAIN POWER SOCKET.



5. Slots and openings in the cabinet are provided for ventilation to ensure the reliable operation of the product and to protect it from overheating.
- ① Do not block or cover these openings. When placing the device on a shelf, leave 5 cm (2") free space around the whole device.
- ② Never insert an object into the product through the vents or openings. High voltage flows through the product and inserting an object can cause electric shock and/or short circuit internal parts.
6. Keep the device away from heat sources such as radiators, heaters, stoves, candles, and other heat-generating products or naked flame. The device can only be used in moderate climates. Extremely cold or warm environments should be avoided. Working temperature between 0° and 35°C.
7. Do not use the turntable near water.
- ① Do not use it in wet or moist areas such as bathrooms, steamy kitchens, or swimming pools.
- ② The device shall not be exposed to dripping or splashing and make sure that no objects filled with liquids, such as vases, are placed on or near the apparatus.

③ Do not use this device when condensation may occur. When the unit is used in a warm wet room with damp, water droplets or condensation may occur inside the unit and the unit may not function properly; let the unit stand in power OFF for 1 or 2 hours before turning on the power: the unit should be dry before getting any power.

8. To clean the device, use a soft dry cloth. Do not use solvents or petrol-based fluids. To remove severe stains, you may use a damp cloth with dilute detergent.

9. Avoid using the device near strong magnetic fields.

① Never place this device on other electrical equipment.

② Electrostatic discharge can disturb normal usage of this device. If so, simply reset and restart the device following the instruction manual. During file transmission, please handle it with care and operate in a static-free environment.

10. Only place on a flat, sturdy table or use with the cart, stand, tripod, or bracket as specified by the manufacturer or sold with the turntable. When a cart is used, use caution when moving the cart/turntable combination to avoid injury from tip-over.

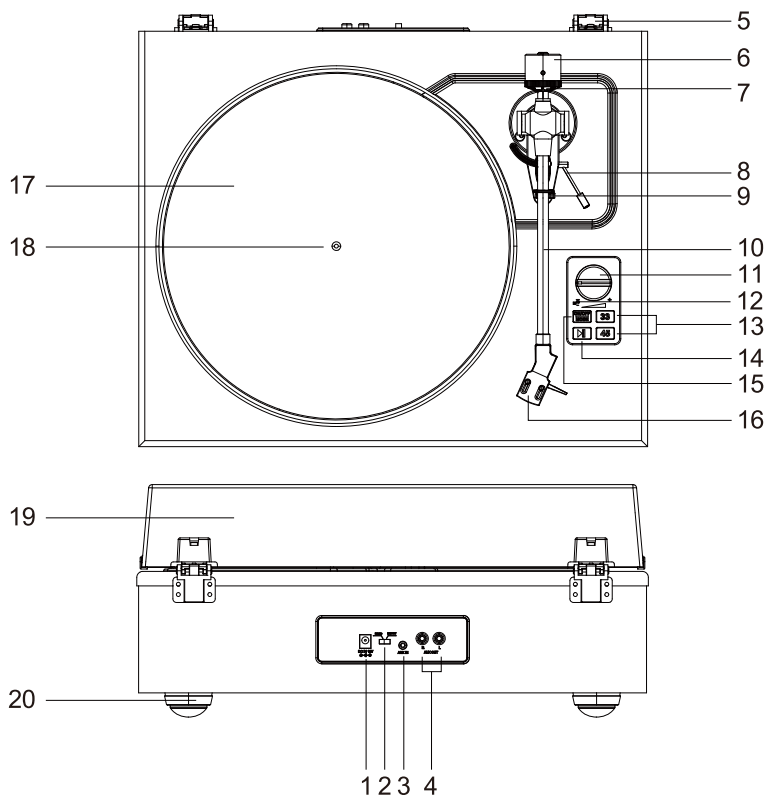
11. This product is intended for non-professional use only and not for commercial or industrial use.

12. Do not allow children access to plastic bags.

13. Long exposure to loud sounds from personal music players may lead to temporary or permanent hearing loss.



Product Description



- | | |
|----------------------------|---------------------------------|
| 1. DC INPUT Jack | 11. Volume Control |
| 2. Phono & Line Out Switch | 12. Indicator |
| 3. AUX IN Jack | 13. Speed Selector Button |
| 4. Phono & Aux Out Jacks | 14. Play/Stop Button |
| 5. Lid Hinge | 15. ON/OFF/Function/Mode Button |
| 6. Counterweight | 16. Stylus Cartridge |
| 7. Tracking Force Dial | 17. Turntable Platter |
| 8. Tonearm Lift Lever | 18. Turntable Spindle |
| 9. Tonearm Clip | 19. Detachable Dust Cover |
| 10. Tonearm | 20. Shockproof Feet |

Included Items

Before installing the turntable, check the package contents to ensure all parts below are included and free of visible damage. Please retain the original packaging materials for exchange or return purposes.

1. HQ-KZ018 Turntable Unit
2. Power Adapter(DC 12V 1500mA)
3. Turntable Lid
4. Slip Mat
5. Platter with Belt
6. Counterweight
7. Cartridge Alignment Protractor
8. 45 RPM Adapter
9. Instruction Manual

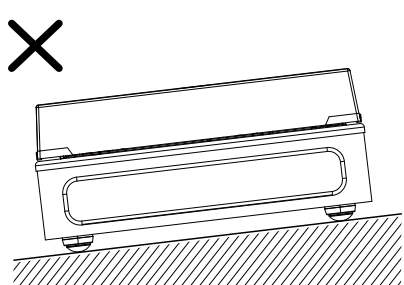
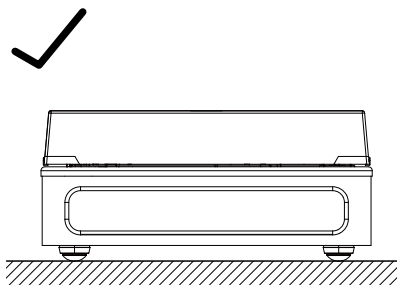
Note:

Please contact our after-sales technical team: listenervice@outlook.com if there is any accessory missing from the package.

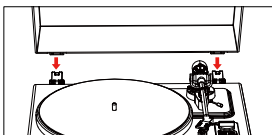
Installing the Turntable

1. Place the unit on a flat and level surface. The selected location should be stable and free of vibration.

- Mount the turntable on a level surface.
- To avoid the effects of vibrations and acoustic pressure, do not mount the turntable next to items such as speakers.
- The turntable may pick up radio static if placed next to a radio. Therefore, try to keep the turntable away from radios.
- If the turntable is near equipment (cell phone, etc) that emits strong radio waves, noise may occur.



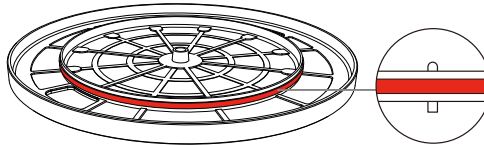
2. Install the dust cover on the hinges.



Turntable Platter and Belt Setup

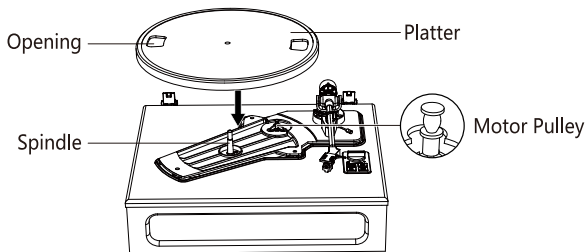
1. Turn the platter over and check the belt position.

Make sure that the drive belt is looped in the middle of the circle. The drive belt located too high or too low in this circle may cause the drive belt to fall off or the speed to be unstable.



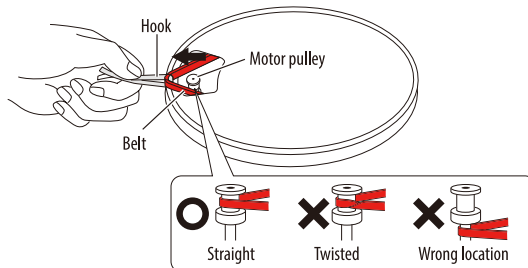
2. Set the platter on the spindle.

Make sure the platter is fully seated on the spindle.

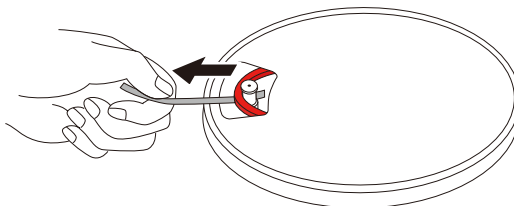


3. Place the belt on the motor pulley.

Align one of the platter openings with the motor pulley, and while pulling both ends of the red ribbon that comes attached to the belt, place the belt on the motor pulley, as per the diagram. When doing this, be careful not to twist the belt.



4. Remove the red ribbon from the belt.



Rotating the Platter

1. Using your hands, slowly rotate the platter ten times in a clockwise direction (Figure 1).
2. This step is for resetting the auto mechanism, getting rid of any twists in the belt, and making sure the belt rides smoothly along the drive rim on the underside of the platter.
3. Place the slip mat on top of the platter. Make sure the logo on the mat is facing up (Figure 2).

Figure 1

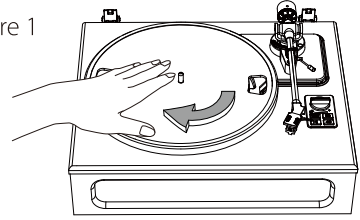
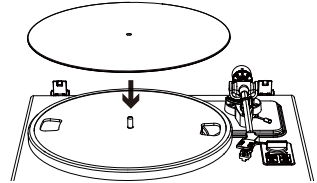


Figure 2

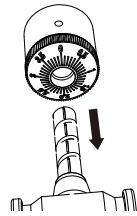


Cartridge Tracking Force Adjustment

The supplied Counterweight is suitable for cartridges weighing between 3.0-6.0g.

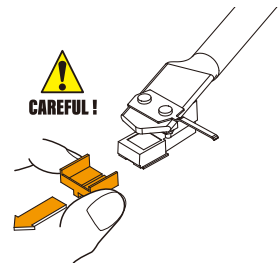


1. Gently push and turn the counterweight onto the rear of the tonearm (with the dial facing toward the front of the turntable).
2. Remove the stylus protector from the cartridge and avoid touching the needle.



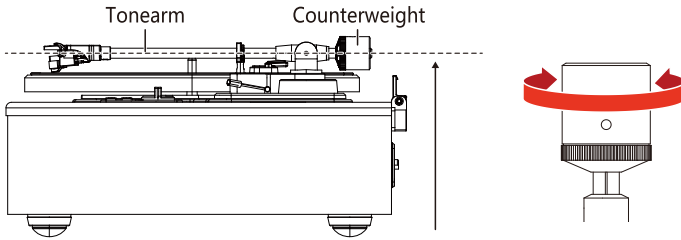
NOTE:

- Do not touch the needle directly, it may cause the needle to break
- Pinch the sides with two fingers, making sure not to shift cartridge
- Applying a downward force may cause the cartridge stylus to come off the body. If the stylus has come off, or is about to come off, so refer to "Replacing the stylus" to reattach the stylus correctly.



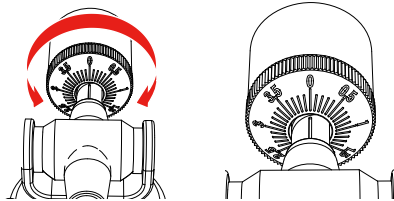
3. Remove the tie-wrap and unlock the tonearm.
4. Lower the tonearm lift lever and position the cartridge in the space between the tonearm rest and the platter.

5. Move the tonearm out of the rest position, carefully rotate the **counterweight** until the tonearm achieves a neutral balance. The tonearm should return to this balanced position if it is moved up or down. This adjustment must be done carefully.

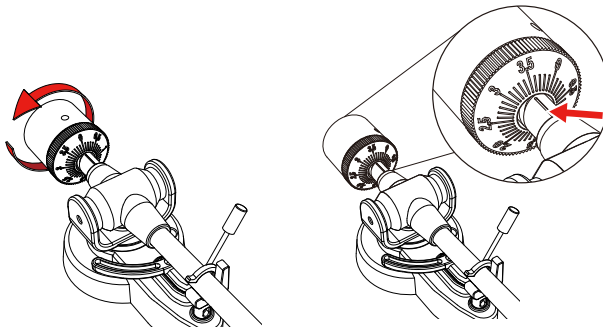


Adjust so that tonearm is level and neutrally balanced

6. Once the tonearm is correctly balanced, return the tonearm to its rest. Without moving the position of the counterweight, gently rotate the tracking force dial until the zero is in line with the black center line on the rear of the tonearm. Check to make sure the tonearm is still neutrally balanced.



7. Finally, rotate the counterweight and tracking force dial together counterclockwise (as seen from the front) to adjust the tracking force according to the cartridge manufacturer's recommendations.

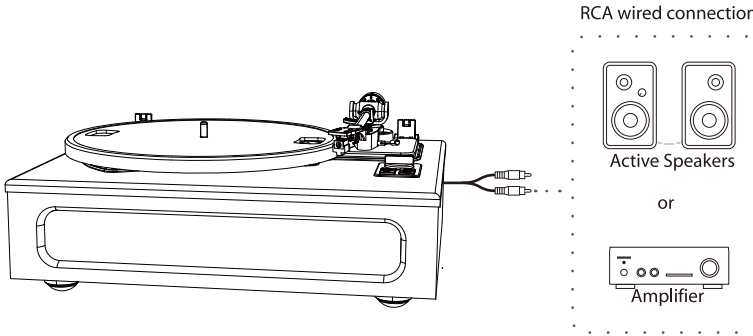


NOTE:

- Each mark on the scale represents 0.1g.
- The recommended tracking force for the factory-installed cartridge is 3.5g+0.5g.
- Carefully rotate the tracking force dial. When "3.5" is centered over the black line on the top of the tonearm please stop.

Connection to External Speaker with RCA Audio Cable

This turntable includes 4 built-in speakers and a built-in phono amplifier. If you wish to use your amplifier or speakers, use the PHONO-LINE OUT Switch to set the output, please follow the instructions below:



NOTE:

To achieve the best sound, it is advised to set the turntable volume to a minimal level. Then the turntable's audio will be played back through your amplifier, speakers, etc.

1. Setting pre-amplifier selector switch

This product has a built-in **phono amplifier**. You can use the product even if you do not have a phono amplifier or connectable equipment with a built-in phono amplifier.

Use the pre-amplifier selector switch to set the output, as shown below.

Connectable equipment being used	Position of pre-amplifier selector switch	Where to connect RCA audio cable
Device with phono input	PHONO	Phono input jack and ground (earth) terminal of connectable equipment
Device without phono input	LINE	AUX or line input jack of connectable equipment

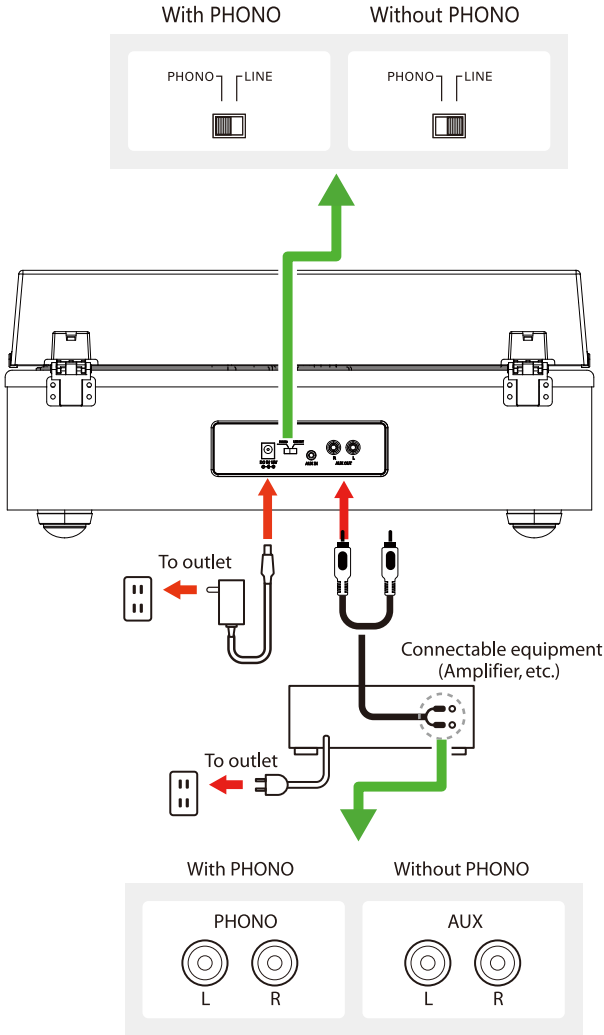
NOTE:

The RCA Jacks are not designed to be connected directly to the passive/unpowered speakers on LINE mode. If connected to the passive speakers, there will be no sound.

2. Connecting the device

Align the settings for the pre-amplifier selector switch and connect the RCA audio cable to an input jack that is compatible with the connectable equipment you are using (amplifier, active speakers, etc.).

- The RCA audio cable's red jack is for the right (R) channel, and the white jack is for the left (L) channel.



Main Power Connection

1. Insert the 12V 1500mA DC plug of the AC adapter cord into the DC INPUT Jack at the back of the turntable.
2. Plug the AC adapter into a normal power outlet(100V~240V).

NOTE:

- Do not plug the AC power adapter into a power outlet before all turntable assembly is completed. Before turning on turntable power.
- Recheck all connections to make sure they are correct and secure, Always turn off the turntable before connecting or disconnecting from power.
- Please do not use an adapter that exceeds the appropriate specification, otherwise it will cause a short circuit to the appliance and damage the internal circuit.

Power Management Function

If the silent pause is more extended than 3 minutes, the platter will stop spinning automatically to avoid damaging the record. If you do not need to play, please manually turn off the power.

Playing a Record

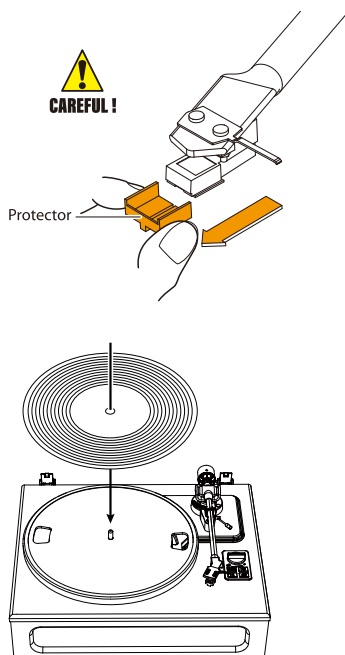
1. Before playing a record

- (1) Remove the stylus protector from the cartridge and avoid touching the needle.

NOTE:

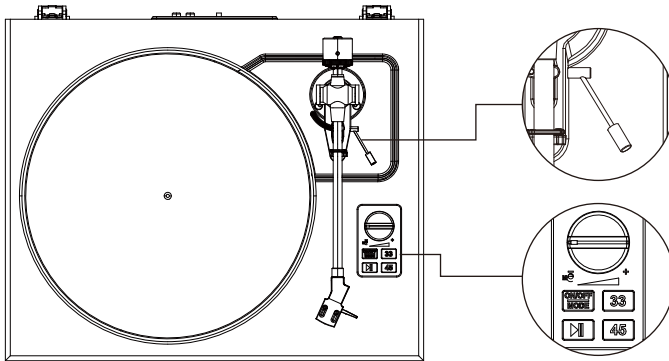
- Do not touch the needle directly, it may cause the needle to break
- Pinch the sides with two fingers, making sure not to shift the cartridge
- Applying a downward force may cause the cartridge stylus to come off the body. If the stylus has come off or is about to come off, so refer to "Replacing the stylus" to reattach the stylus correctly.

- (2) Place the record on the felt mat so that the center hole aligns with the spindle.



2. Turntable Operation

Sufficiently lower the volume of the amplifier and speakers first.



- (1) Connect the included power adapter to the turntable, and press the mode button. The turntable will turn on. The indicator will light in red.
- (2) Remove the stylus protector from the stylus.
- (3) Place the record on the slip mat.
- (4) Press the Speed Selector button to switch between 33 and 45 RPM speeds according to the type of record. Use the 45 RPM adapter if necessary.
- (5) Press the START/Stop button once and the platter will play or pause.
- (6) Unlock the tonearm clip and set the tonearm lift lever to the up position.
- (7) Position the tonearm over the desired location (groove) on the record.
- (8) Carefully lower the tonearm on the record by setting the tonearm lift lever to the down position.
- (9) Turn up the volume of the turntable as needed.
- (10) When you are finished playing the record, the turntable will automatically stop spinning after 3 minutes. Please raise the tonearm, return it to rest on the arm clip, and long-press the mode button to turn off the turntable.



45RPM Adapter

NOTE:

- If the silent pause is more extended than 3 minutes, the platter will stop spinning automatically to avoid damaging the record. But the machine will not turn off the power automatically, if you do not need to play, please turn off the power manually.
- If the felt mat gets dirty, it can easily scratch the record, so remove the felt mat periodically and wipe off any dust.
- Remove the record after use to prevent scratches and warping.
- Do not use a disk stabilizer.

Bluetooth Operation

1. Connect the included power adapter to the turntable and press the mode button, the indicator will light in red.
2. Press the mode button twice to Bluetooth mode. The indicator light turns blue and flash quickly. You will hear an activation sound from the turntable.
3. Turn on the Bluetooth feature of your media device and search for and select "Turntable" to pair the media device and turntable.
4. Once your media device is successfully paired with the turntable, the turntable will play a short confirmation sound.
5. Play and stream music from your media device to the turntable. The indicator light will become solid.

NOTE:

- Bluetooth version: 5.0
- This product has a Bluetooth reception function, you can not transmit any Bluetooth sound with it: this means that you can receive wirelessly a Bluetooth sound signal from an external source like a smartphone.

AUX-IN Operation

This turntable includes an auxiliary audio signal input jack for connecting external audio devices like MP3 players, CD players, and older, non-dockable iPods so you can listen to your external source through the turntable's speakers.

1. Use an audio cable (not included) with one 3.5 mm stereo connection on each end of the cable.
2. Plug one end into the AUX-IN jack on the turntable and the other end into the Line Out jack of the audio device.
3. Power on the turntable and audio device. The indicator light of the turntable is red.
4. Press the MODE button again, and the indicator light of the turntable turns green. It's AUX-IN mode.
5. The volume level can be controlled through the turntable. Operate all the functions on the auxiliary device as usual.

NOTE:

- Make sure the tone arm is securely locked to avoid any damage.
- When you are done, don't forget to turn off the power on the turntable and your external device.

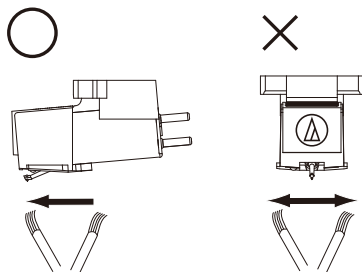
Maintenance and Cleaning

1. Turntable Body

- (1) When the turntable body is dirty or dusty, first disconnect the AC adapter and then clean the turntable dust cover and turntable table with a slightly dampened microfiber cloth.
- (2) Do not use benzenes, thinners, etc.
- (3) When storing the product for a long time:
 - Disconnect the AC adapter from the outlet and wrap the product in a plastic box.
 - Do not allow it to become damp.
 - The drive belt should be removed to prevent unequal stretching.

2. Stylus Tip

- (1) Do not touch the needle directly with your hands.
- (2) Avoid bumping the stylus on the turntable mat or a record's edge.
- (3) If dirt and grime are stuck to the stylus tip, clean it with a soft brush.
- (4) We recommend using a stylus cleaner (not included) if the stylus tip is considered dirty. Clean the stylus tip by moving the brush from the rear to the front of the stylus tip.
- (5) Clean the records to get rid of dust or grease with a record Cleaning brush and record cleaning solution.

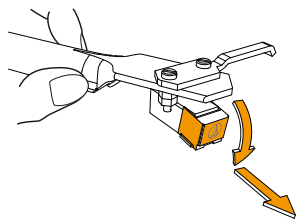


Replacing the Stylus

It's suggested to replace the stylus after 400 hours of use.

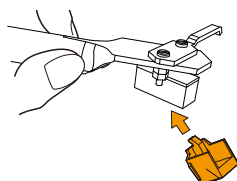
Removing the Stylus

- In addition to the deterioration of sound quality, records may also be damaged as the cartridge's stylus tip wears down.
- Be sure to disconnect the product's AC adapter from the outlet.
- When replacing the stylus, hold the headshell and the cartridge body tightly and rotates the front of the stylus in a forward and down motion.



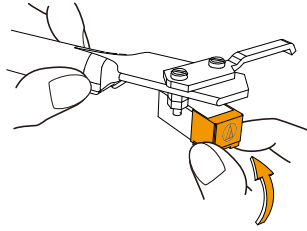
Installing a New Replacement Stylus

1. Mount the new replacement stylus to the cartridge.

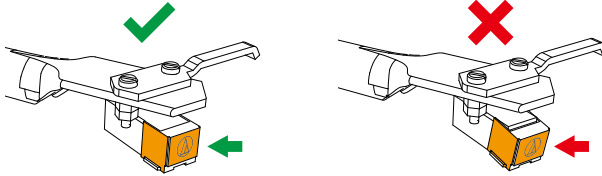


Engage in body first

2. Lift the stylus up until you hear a click.



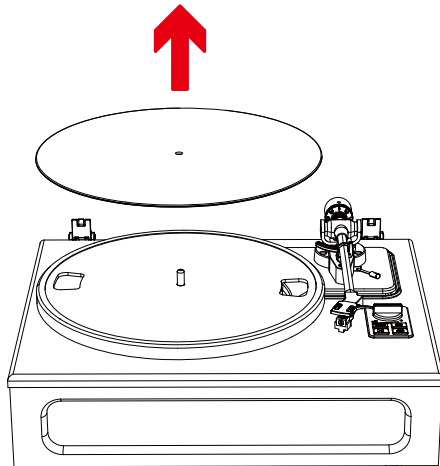
3. Make sure there is no gap between the headshell and the cartridge.



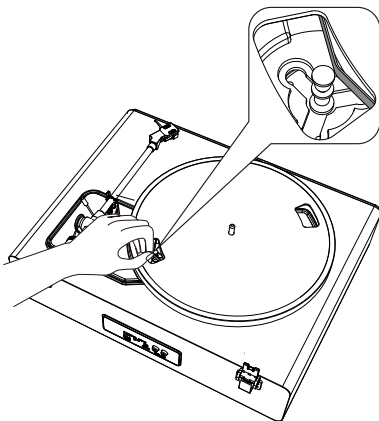
Replacing the Belt

- The belt is a consumable part. Replace the belt if the speed of playback slows down or regular rotation occurs. As a rule of thumb, we suggest replacing the belt once a year.
- Before replacing the belt, be sure to disconnect the product's AC adapter from the outlet.

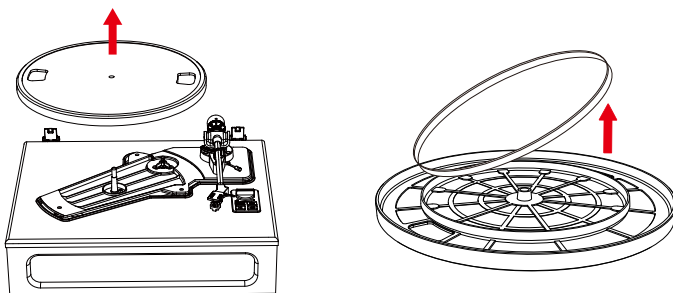
1. Remove the slip mat.



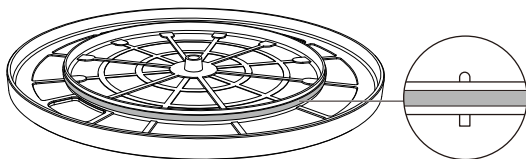
2. Remove the belt from the motor pulley.



3. Remove the main platter and then remove the old belt.

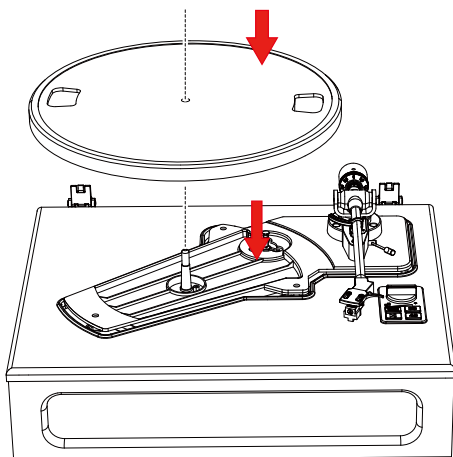


4. Turn the platter over and you will see a raised circle. Loop the new belt along the middle circle.



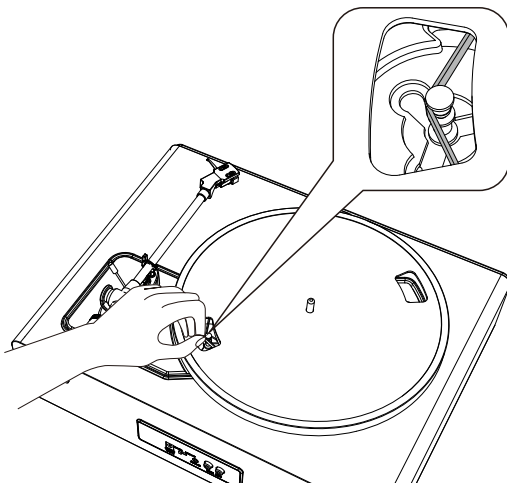
5. Attach the platter.

Align one of the openings with the position of the brass-colored motor pulley.

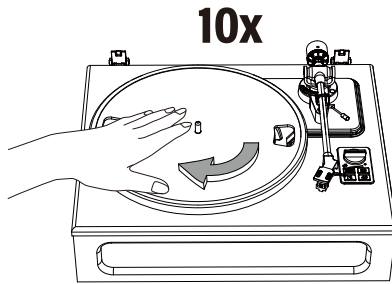


6. Place the belt on the brass-colored motor pulley

Grasp the belt that was attached in step 4 and, while pulling it, place it on the brass motor pulley.



7. Using your hands, slowly rotate the platter ten times in a clockwise direction as shown by the arrow below.



How to Store or Transport Easily

Using the product's original packing materials, wrap the turntable in the reverse order from when you unwrapped it. If you do not have the packaging materials, take the following measures:

1. After disconnecting the AC adapter from the outlet, remove the felt, mat, and patten, and then wrap them so that they do not get damaged.
2. Attach the stylus protection to the cartridge.
3. Use a string or something similar to tie the tonearm to the rest so that it does not become dislodged.
4. Wrap the turntable body with paper or soft cloth so that it does not get damaged.

Troubleshooting

Problem:	Solution:
The platter does not spin.	<ol style="list-style-type: none"> 1. Is the AC adapter connected to the outlet? -Connect the AC adapter to the outlet. 2. What's the status of the indicator light? -The indicator light is green. That means the turntable is in AUX IN mode. Please press the mode button twice to switch to Turntable mode. -The indicator light is blue. That means the turntable is in Bluetooth mode. Please press the mode button once to switch to Turntable mode. -The red indicator light will indicate Turntable mode. 3. Has the belt slipped from the platter? -Correctly place the belt on the platter. 4. Is the belt placed on the motor pulley? -Check that the belt is placed on the motor pulley (brass-colored) correctly. 5. Has the belt been damaged? -Replace it with a new belt.
The platter spins, but there is no sound from the turntable?	<ol style="list-style-type: none"> 1. Is the stylus damaged? -Check the stylus and replace it, if necessary. It's suggested to replace the stylus after 400 hours of use. The model is ATN3600. 2. Is the stylus placed correctly on the body of the cartridge? -Check the cartridge and adjust it, if necessary.
The stylus skips.	<ol style="list-style-type: none"> 1. Is the record warped? -Check the record. 2. Is the record scratched? -Check the record. 3. Is the stylus pressure correct? -Refer to "Cartridge Tracking Force Adjustment" to readjust the tracking force.

<p>The turntable is making a strange 'howling' sound.</p>	<ol style="list-style-type: none"> 1. Is the product picking up excessive vibrations from the floor, surfaces of the walls, or nearby speakers? -Decrease the vibrations or mount the product on a surface that is not subject to the effects of vibrations. 2. Is the product mounted on an unstable surface? -Check if the surface of the product is mounted and suitable.
<p>There is noise when the record is playing.</p>	<ol style="list-style-type: none"> 1. Is there dust on the cartridge's stylus tip? -If dust is stuck to the stylus tip, clean it with a commercially sold brush.
<p>The sound when the record is playing is either too fast or too slow.</p>	<ol style="list-style-type: none"> 1. Are the speed settings for this product correct? -Please select the correct speed for the type of record being played.
<p>Playback speed slows down or there is irregular rotation.</p>	<ol style="list-style-type: none"> 1. Is the belt stretched out? -Replace with a new belt. 2. Is the belt installed correctly? -Refer to "Turntable Platter and Belt Setup" to set up the belt.

Specifications

Power Supply Adaptor

DC Output Power Supply	12V 1500mA
AC Input Power Supply	100–240V
Input AC frequency	50–60Hz
Output Power	18W
Average active efficiency	85.00%
Efficiency at low load (10%)	83.20%
No load Power consumption	0.1W

Turntable

Model	HQ–KZ018
Power Consumption	35W
Turntable Speed	33 1/3, 45 RPM
Output Power (RMS)	40W on Bluetooth mode
Speakers Rating	2*15W + 2*10W
Lid Closed Dimensions (L*W*H)	423*361*195mm/16.65*14.21*7.68in
Lid Open Dimensions (L*W*H)	423*405*455mm/16.65*15.94*17.91in
Weight	13,3lb (6,05kg)

Stylus

Model	ATN3600
Frequency Response	20Hz–20kHz
Channel Balance	<2.5dB
Channel Separation	>18dB
Output Voltage	2.5mV
Recommended Load Resistance	47kΩ
Amplifier Connection	MM (Moving Magnet) – input
Recommended Tracking Force	3.5±0.5g
Weight	0.18oz (5.1 g)

NOTE:

Design and specifications are subject to change without notice.

1. Guarantee

Important note: If this unit is opened or accessed by a non-official service center in any way, the warranty expires.

This device is not suitable for professional use. In case of professional use, all warranty obligations of the manufacturer will be voided.

2. Disclaimer

Updates to Firmware and/or hardware components are made regularly. Therefore some of the instructions, specifications, and pictures in this documentation may differ slightly from your particular situation. All items described in this guide are for illustration purposes only and may not apply to particular situations. No legal right or entitlements may be obtained from the description made in this manual.

Disposal

Disposal of the Product



Under no circumstances should you dispose of this product in normal domestic waste.

This product is subject to the provisions of European Directive 2012/19/EU.

Dispose of this product via an approved disposal company or your municipal waste facility. Please observe currently applicable regulations.

Please contact your waste disposal center if you need any further information.



This product's packaging is made from environmentally friendly material and can be disposed of at your local recycling plant.