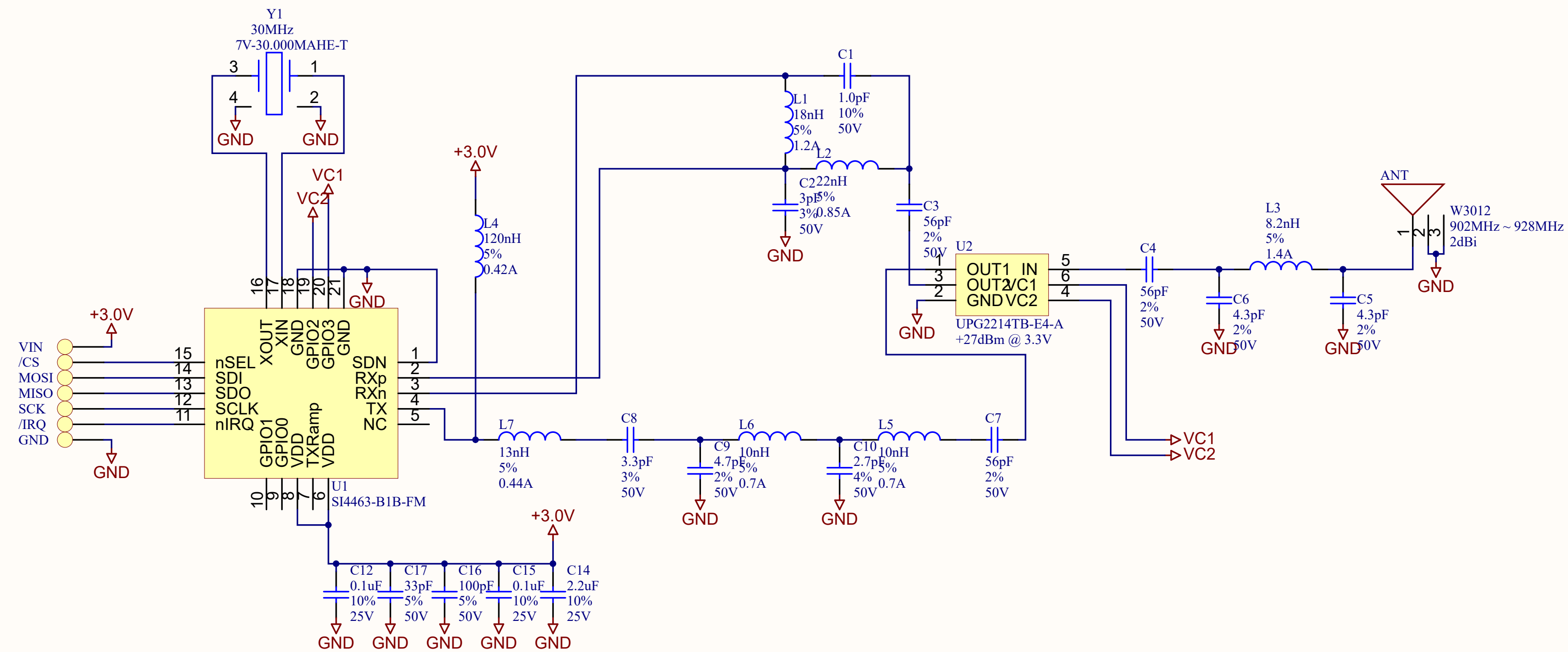


REV	DESCRIPTION	DATE	APPROVED
V1	SI4463-B1B-FM	10/27/14*	



### SI4463-B1B-FM

DWN *	DWG NO	REV V1
-------	--------	--------