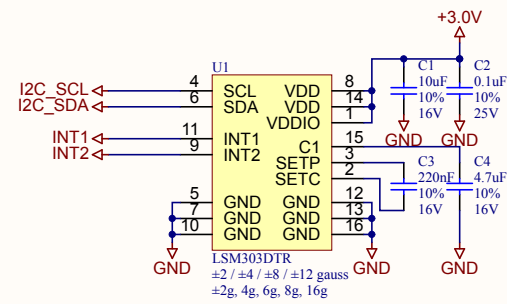
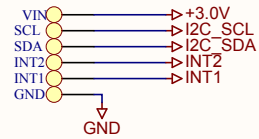


REV	DESCRIPTION	DATE	APPROVED
V1	LSM303DTR	10/25/14*	



LSM303DTR

DWN *	DWG NO *	REV V1
-------	----------	--------