

WARRANTY

Warranty applies to the original purchaser for a period of 24 months from the date of delivery and covers manufacturing faults and defects occurring in the materials. If an item should fail as a result of a manufacturing fault or defect under normal use, Nightworks, at their discretion will replace the failed item. Nightworks reserves the right to substitute failed items with a different size and/or coloured item, should the original size and/or colour no longer be available. Any replacement will be for the failed item only. The original warranty period is not extended in the event of a replacement. Use of aftermarket LED drivers, not supplied with your fitting, will void all warranties offered.

The warranty does not cover, but is not limited to, the following: damage caused by incorrect installation or unreasonable use, normal wear and tear, failure to provide proper care and maintenance, marking or fading from use, ageing and oxidation, scratching, staining, discolouration or damage caused by contact with unsuitable chemicals or materials.

Our lights come with guarantees that cannot be excluded under the Australian Consumer Law. You are entitled to a replacement or refund for a major failure and compensation for any other reasonably foreseeable loss or damage. You are also entitled to have the goods repaired or replaced if the goods fail to be of acceptable quality and the failure does not amount to a major failure.

CARE

Our products are engineered using solid, honest materials and are designed to last a long time. Please remember that brass is a natural product and it will inevitably age over time. This depends on the atmospheric conditions and type of original finish specified. Our brass products are sealed to delay this aging but no warranty is offered to cover the natural patina that can occur over time. Love and simple maintenance will preserve the look and extend the life of your light for years to come.

CONTACT US

www.nightworksstudio.com

hello@nightworksstudio.com

(AU) 1300 568 369

(NZ) 0800 568 369



PETRINE PENDANT LIGHT / TRIPLE (IP20)

PRODUCT CODE: PETTRP

Installation guide



LOW VOLTAGE - Do not wire light fitting directly to mains power.

PETRINE PENDANT LIGHT / TRIPLE

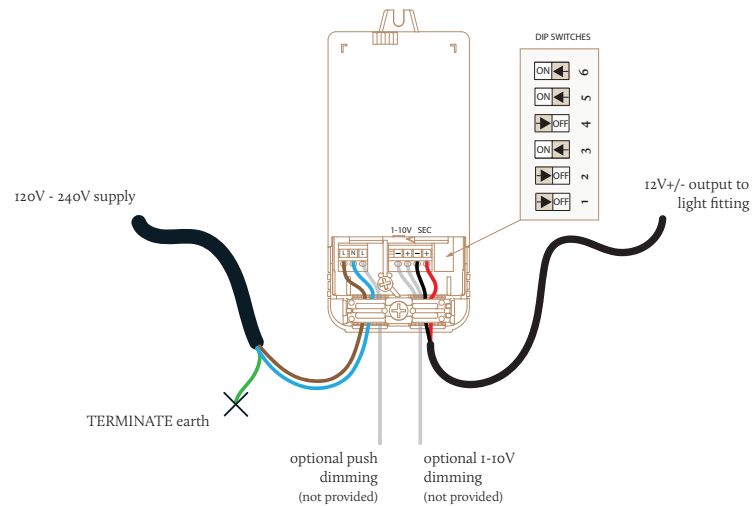
Installation guide



DANGER electric shock risk. Installation must be conducted by a licensed electrician.

STAGE 1: INSTALL DRIVER

TCI Mini Jolly 125400
700mA Constant Current
Minimum cut-out hole diameter: 55 mm
Size: 111 x 22 x 52 mm
Plastic case: IP20 rated

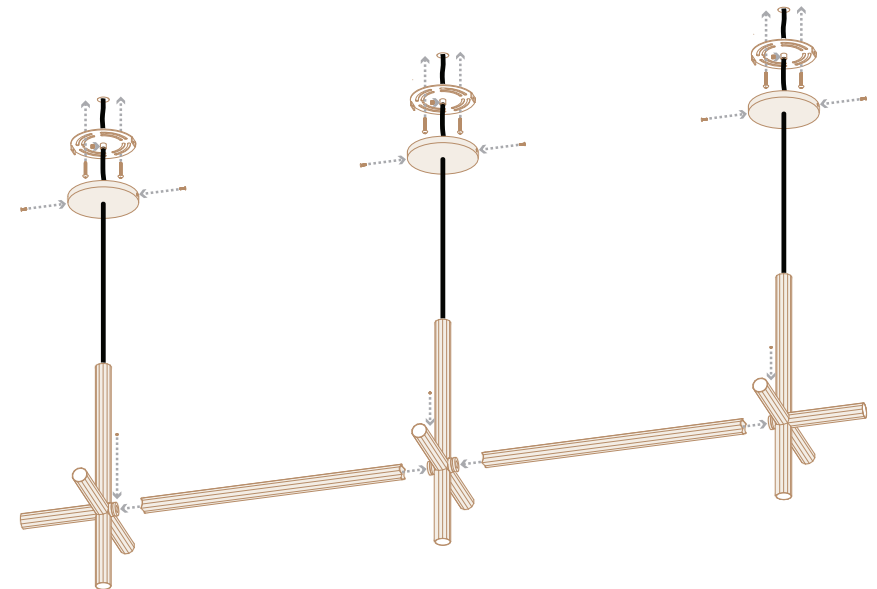


- 1: Select driver location, ideally a remote location that is accessible such as an attic or cupboard. Affix driver to solid surface.
- 2: Unscrew terminal cover and unclick from sides.
- 3: Check DIP switches are set to required position - if not, set to pattern as shown above using a small screwdriver.
- 4: Ensure mains supply is switched off. Connect 120V-240V Load and Neutral supply to the left side of the driver as shown.
- 5: Terminate earth if present.
- 6: *Option A:* While at the framing stage, run a 2x core cable from the SEC output on the driver, to the desired position of the luminaire. Junction the opposite side in a parallel circuit. Each end of the line is powered independently from one driver.
Option B: If the driver must be located behind the luminaire. Connect +/- from LED luminaire to right side of driver in the SEC output. Junction the opposite side in a parallel circuit.
- 7: *(Optional, not supplied)* If dimming is required, connect leads for 1-10V or Push Dimmer as illustrated.
- 8: Reattach terminal cover and screw closed.



LOW VOLTAGE - Do not wire light fitting directly to mains power.

STAGE 2: INSTALL FITTING



Ensure gloves are worn when handling natural brass products.

- 1: Remove all items from box.
- 2: Install driver as shown on opposite page.
- 3: Drill <25mm hole in ceiling at desired location of luminaire and locate both +/- power from driver output.
- 4: Using the Hex key provided, remove M3 brass screws from the brass ceiling canopy.
- 5: Install white ceiling plate and affix to timber joist behind plasterboard.
- 6: Adjust cord length to suit.
- 7: Connect +/- power supply from LED luminaire to TCI Mini Jolly driver.
- 8: Resecure brass ceiling canopy with M3 brass screws.
- 10: Link all three parts with the brass bars and secure M3 grub screws.
- 9: Wipe down fitting with clean dry cloth.
- 10: Test fitting.