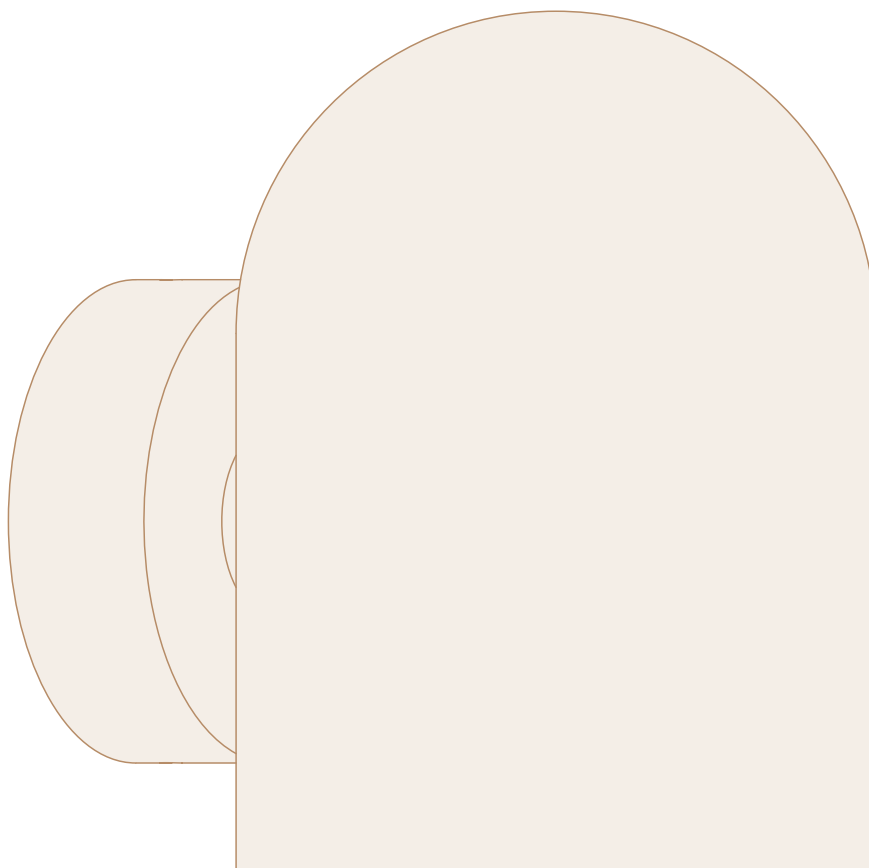




DUOMO PICCOLO WALL SCONCE 220-240V (E27)(IP20)

PRODUCT CODE: E27DPSCBR / E27DPSC-WHITE

### *Installation guide*



*DANGER electric shock risk. Installation must be conducted by a licensed electrician.*

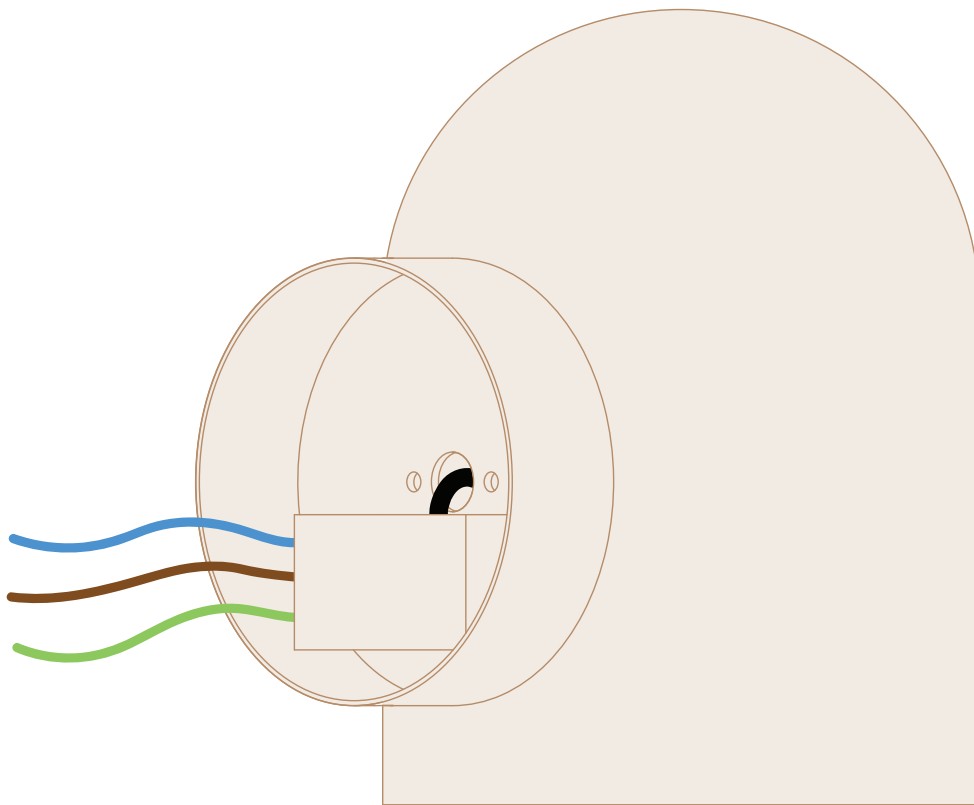
# DUOMO PICCOLO WALL SCONCE

## *Installation guide*



*DANGER electric shock risk. Installation must be conducted by a licensed electrician.*

### STAGE 1: WIRE FITTING



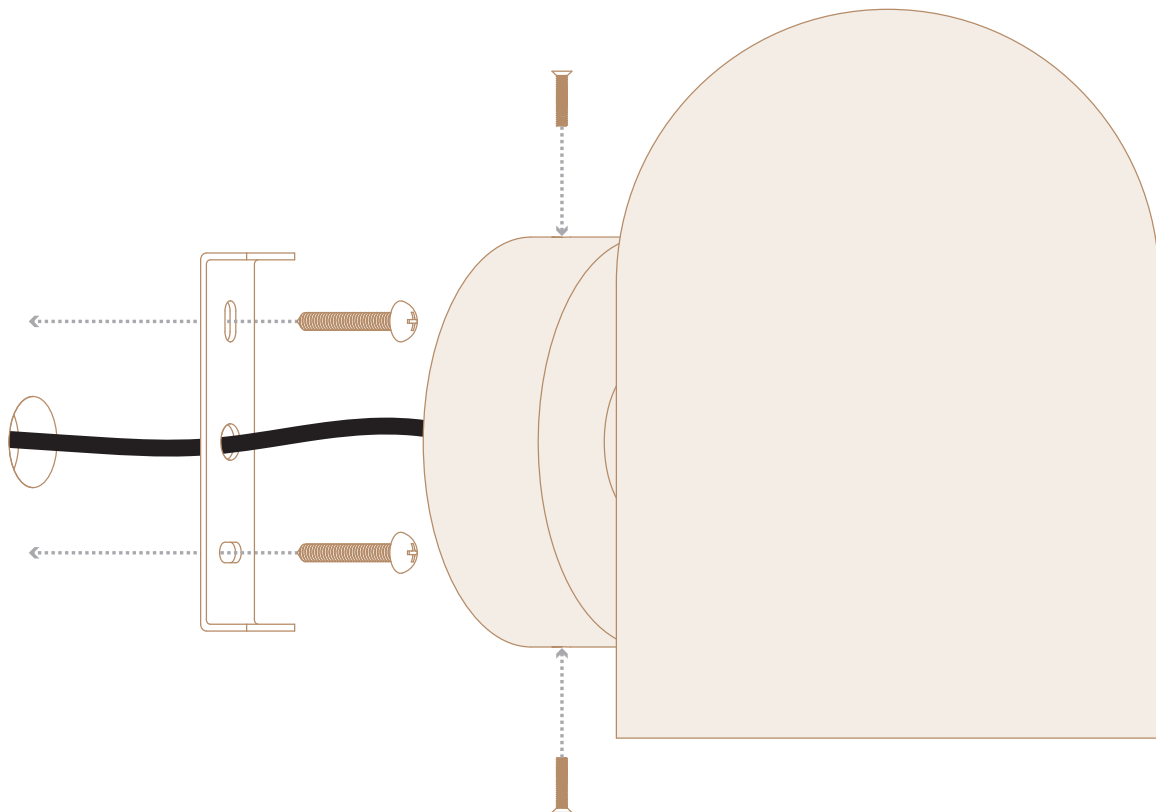
E27 fitting (bulb not provided)





**DANGER** electric shock risk. Installation must be conducted by a licensed electrician.

## STAGE 2: INSTALL FITTING



**Ensure gloves are worn when handling natural brass products.**

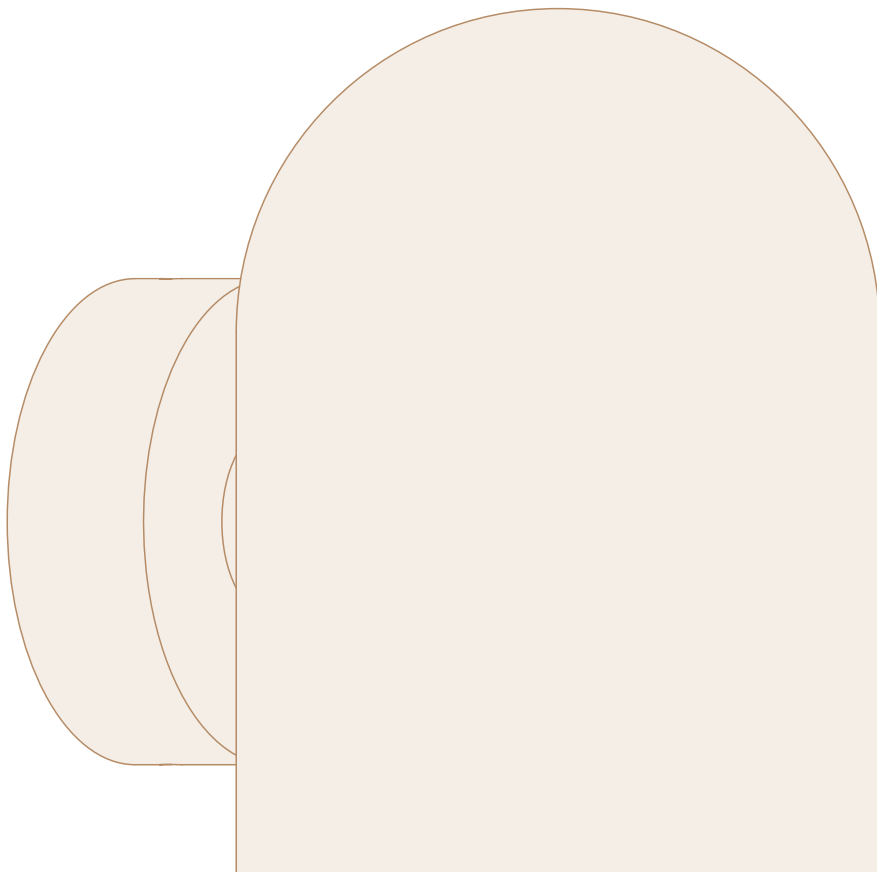
- 1: Remove all items from box.
- 2: Using HEX key provided, remove M3 brass screws from top and bottom of fitting.
- 3: *(Optional)* If installing to plaster board pre-drill and install wall plugs into wall.
- 4: Install wall plate to wall using timber screws provided.
- 5: Wire fitting as shown on opposite page.
- 6: Install fitting onto wall bracket and secure M3 brass screws to top and bottom of fitting.
- 7: Wipe down fitting with clean dry cloth.
- 8: Install E27 light bulb. (not provided)
- 9: Test fitting.



## DUOMO PICCOLO WALL SCONCE (IP65)

PRODUCT CODE: DPSCBR / DPSCWH

### *Installation guide*



12V - Do not wire light fitting directly to mains power.

# DUOMO PICCOLO WALL SCONCE

## Installation guide



**DANGER** electric shock risk. Installation must be conducted by a licensed electrician.

### STAGE 1: INSTALL DRIVER

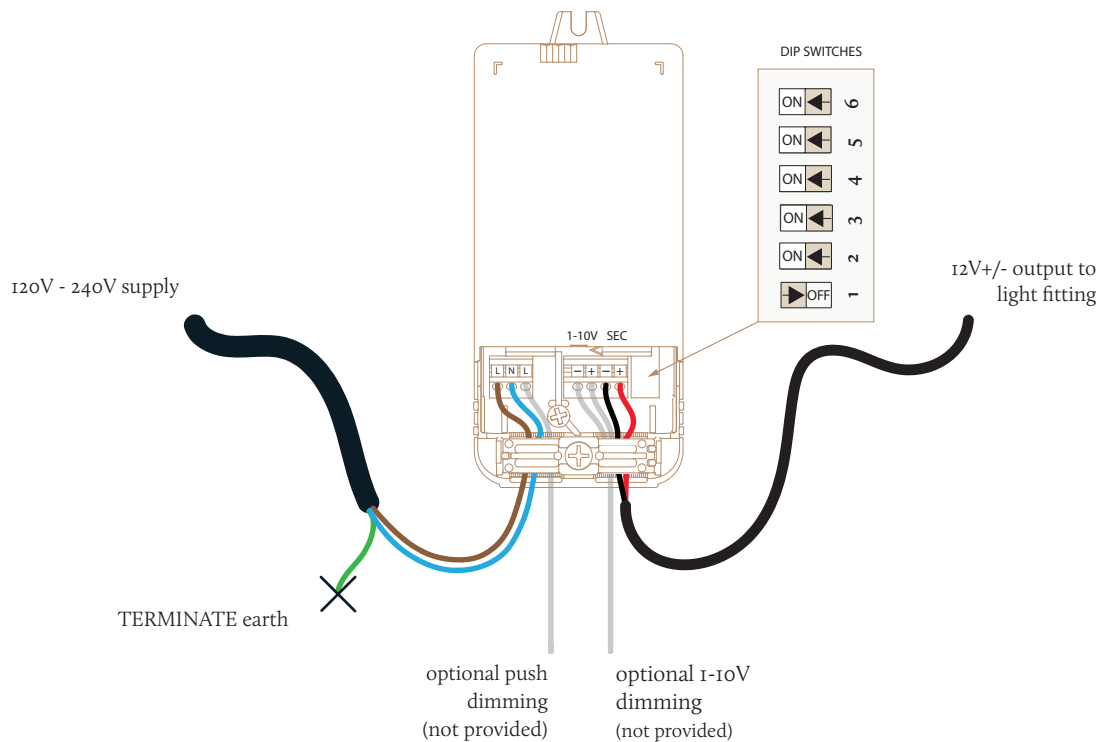
#### TCI Mini Jolly 125400

12V Constant Voltage

Minimum cut-out hole diameter: 55 mm

Size: 111 x 22 x 52 mm

Plastic case: IP20 rated

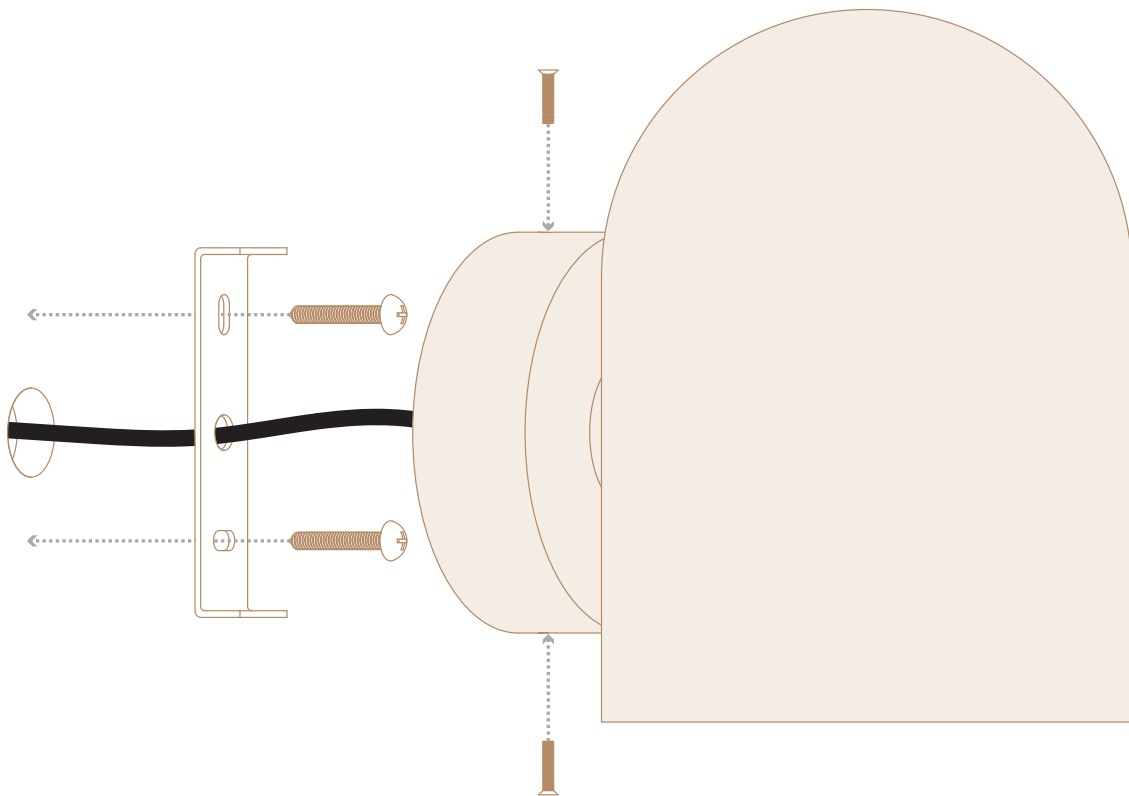


- 1: Select driver location, ideally a remote location that is accessible such as an attic or cupboard. Affix driver to solid surface.
- 2: Unscrew terminal cover and unclick from sides.
- 3: Check DIP switches are set to required position - if not, set to pattern as shown above using a small screwdriver.
- 4: Ensure mains supply is switched off. Connect 120V-240V Load and Neutral supply to the left side of the driver as shown.
- 5: Terminate earth if present.
- 6: *Option A:* While at the framing stage, run a 2x core cable from the SEC output on the driver, to the desired position of the luminaire.  
*Option B:* If the driver must be located behind the luminaire. Connect +/- from LED luminaire to right side of driver in the SEC output.
- 7: (*Optional, not supplied*) If dimming is required, connect leads for 1-10V or Push Dimmer as illustrated.
- 8: Reattach terminal cover and screw closed.



12V - Do not wire light fitting directly to mains power.

## STAGE 2: INSTALL FITTING



**Ensure gloves are worn when handling natural brass products.**

- 1: Remove all items from box.
- 2: Install driver as shown on opposite page.
- 3: Using HEX key provided, remove M3 brass screws from top and bottom of fitting.
- 4: *(Optional)* If installing to plaster board pre-drill and install white wall plugs into wall.
- 5: Install white wall plate to wall using timber screws provided.
- 6: Connect +/- power supply from LED luminaire to TCI Mini Jolly driver.
- 7: Install fitting onto wall bracket and secure M3 brass screws to top and bottom of fitting.
- 8: Wipe down fitting with clean dry cloth.
- 9: Test fitting.