

apuro

Meat Slicer

Instruction manual



Model:
CD277-A/CD278-A/CD279-A

Safety Tips



THE MEAT SLICER IS A DANGEROUS APPLIANCE AND MUST ONLY BE USED BY TRAINED PERSONNEL IN ACCORDANCE WITH THESE INSTRUCTIONS



- Position on a flat, stable surface.
- A service agent/qualified technician should carry out installation and any repairs if required. Do not remove any components on this product.
- Consult Local and National Standards to comply with the following:
 - Health and Safety at Work Legislation
 - Fire Precautions
 - Wiring Regulations
 - Building Regulations
- Always stand **BEHIND** the safety guard when operating the appliance.
- **DO NOT** place hands near the blade when in use. This can result in severe injury.
- **DO NOT** touch the blade edge.
- **DO NOT** remove food from the appliance until the blade has come to a complete stop.
- **DO NOT** immerse the appliance in water.
- **DO NOT** attempt to cut bones or items that have been frozen below -6°C. This can damage the blade.
- Always switch off and disconnect the power supply to the appliance when not in use.
- **NEVER** leave the appliance unattended when in use.
- Keep all packaging away from children. Dispose of the packaging in accordance to the regulations of local authorities.
- If the power cord is damaged, it must be replaced by an Apuro agent or a recommended qualified technician in order to avoid a hazard.
- This appliance must only be used in accordance with these instructions and by persons competent to do so.
- This appliance is not suitable for use by children.
- Apuro recommend that this appliance should be periodically tested (at least annually) by a Competent Person. Testing should include, but not be limited to: Visual Inspection, Polarity Test, Earth Continuity, Insulation Continuity and Functional Testing.

Product Description

CD277-A - 220mm Blade

CD278-A - 250mm blade

CD279-A - 300mm blade

Introduction

Please take a few moments to carefully read through this manual. Correct maintenance and operation of this machine will provide the best possible performance from your Apuro product.

Pack Contents

The following is included:

- Apuro meat slicer
- Safety guard assembly kit
- Instruction manual
- Blade removal tool
- Allen Key
- Grip handle

Apuro prides itself on quality and service, ensuring that at the time of packaging the contents are supplied fully functional and free of damage.

Should you find any damage as a result of transit, please contact your Apuro dealer immediately.

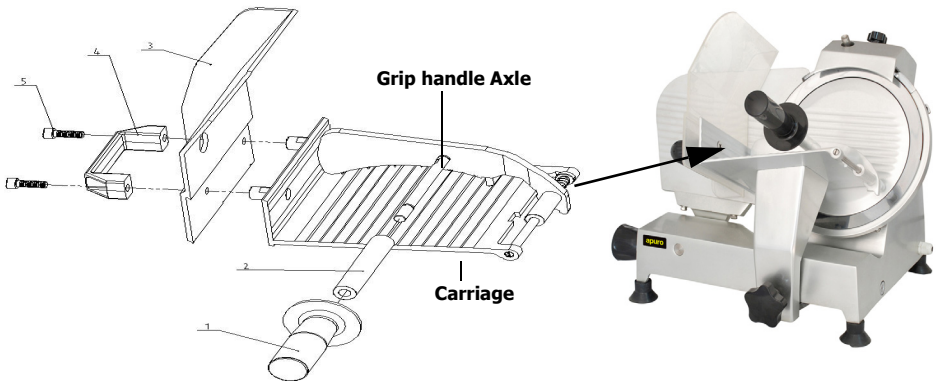
Assembly

The plastic safety guard has been removed from the appliance to prevent damage during transit.



WARNING: The safety guard MUST be fitted before using this appliance .

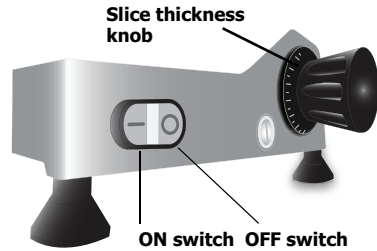
Apuro accept no responsibility for any injury caused by operation of this appliance without the guard installed or correctly fitted.



1. Fit grip handle support tube (2) over grip handle axle. Fit grip handle (1) to support tube.
2. Fit Blade guard (3) and Carriage handle (4) to carriage using screws(5) and allen key supplied.

Operation.

1. Connect the appliance to the power supply.
2. Set the thickness to the desired level by turning the Thickness knob anti-clockwise.
3. Turn the Plate fixing bolt clockwise so the fixing head touches the plate.



Note: It is important to set the Plate fixing bolt as failure to do so can result in inaccurate thicknesses when slicing.

4. Place the meat in the cradle and secure in place with the Grip handle.
5. Switch On the power [I].



WARNING: NEVER use your hands to secure the meat when slicing.

6. Holding the carriage and grip handles, push the carriage backwards and forwards across the blade.



WARNING: The blade starts immediately.

7. After slicing the desired amount press the Off [O] button to turn Off the appliance.



WARNING: The blade continues to turn for a few seconds after switching off.

8. Remove the sliced food from the catchment area.



Note: Always disconnect the meat slicer from the mains powers supply when not in use.



WARNING: This unit is not suitable for slicing water rich product such as Tomatoes and Cucumbers, meat with bones or frozen food

Cleaning, Care & Maintenance

- Always turn off and disconnect the appliance from the power supply before cleaning.
- Always use extreme care when handling the blade.
- Use soapy water and a damp cloth to clean the appliance.
- Clean the appliance regularly.

Cleaning the Blade and Cover

1. Disconnect the appliance from the power supply.
2. Push the carriage away from the blade.
3. Unscrew the blade cover release bolt.

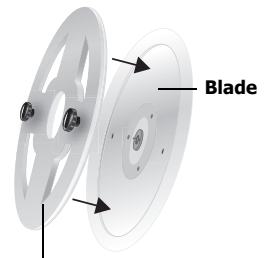


Note: The appliance will not work with the blade cover release bolt unscrewed.

4. Carefully lift off the blade cover
5. Attach the blade removal tool by placing it over the blade and screwing the two bolts into the corresponding holes in the blade.
6. Unscrew the 3 screws holding the blade, leaving it sat on the slicer.
7. Lift the blade off the slicer using the knobs of the blade removal tool as handles.
8. Wash the blade by wiping from the centre towards the edge. Keep the removal tool in place when cleaning.
If necessary, wipe clean the face of the blade once it has been reattached.
9. Dry thoroughly.
10. Replace the blade and cover, ensuring the blade securing bolt is securely tightened.



Blade cover release bolt



Blade removal tool



Note: Apuro recommend the use of cut-resistant or wire mesh gloves when cleaning the blade.

Sharpening the Blade

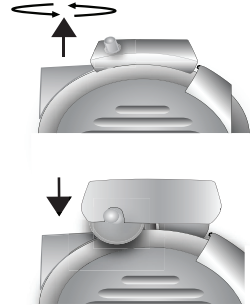
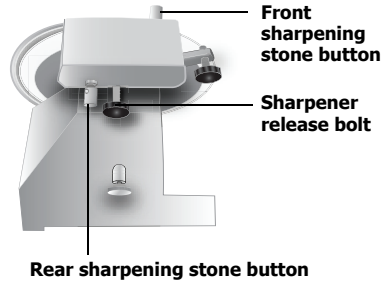


**Note: Always clean the edge of the blade before sharpening.
Always wear protective eye wear when sharpening the blade.**

If the meat slicer begins to produce uneven or broken slices, it may be blunt and require sharpening.

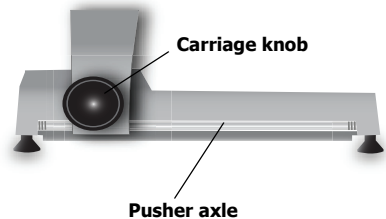
To sharpen the blade:

1. Unscrew the Sharpener release bolt and lift off the blade sharpener.
2. Rotate the sharpener 180° and insert it back into the appliance.
3. Tighten the Sharpener release bolt to secure the sharpener.
4. Start the appliance.
5. Press and hold down the rear sharpening stone button to sharpen the blade. Do not exceed one minute of constant sharpening.
6. Release the rear stone and press down the front sharpening stone button for a few seconds to smooth the edge of the blade.
7. Turn off the appliance and return the sharpener to its original position, ensuring it is securely tightened.



Lubricating the Pusher Axle

1. Push the carriage to one side and clean the axle with dry a cloth.
2. Lubricate the axle surface with grease suitable for use in food preparation areas.
3. Push the carriage backwards and forwards several times to distribute the grease evenly.



Note: Ensure you use a grease that is suitable for use in a food preparation area.

Troubleshooting

Fault	Probable Cause	Action
The unit is not working	The unit is not switched on	Check the unit is plugged in correctly and switched on
	Plug and lead are damaged	Call Apuro agent or qualified technician
	Power supply	Check power supply
	Internal wiring fault	Call Apuro agent or qualified technician
	Blade cover securing screw is not properly inserted	Remove plate securing screw and screw back in
The cradle hits the blade guard	The carriage has been improperly fitted	Unscrew the carriage knob, check the carriage is properly in place then replace the carriage knob
The blade is not cutting properly/accurately	Blade is blunt	Sharpen the blade
	Plate securing screw is not touching the plate	Tighten the securing screw

Technical Specifications

Model	Voltage	Power	Current	Slicing Thickness	Blade Diameter	Max. Slicing Width	Dimensions w x d x h mm	Weight
CD277-A	230V 50Hz	120W	0.9A	0-12.5 mm	220mm	120 X 150mm	445 x 457 x 445	17kg
CD278-A	230V 50Hz	120W	0.9A	0-12.5 mm	250mm	120 X 155mm	452 x 485 x 437	17.5kg
CD279-A	230V 50Hz	180W	1.2A	0-12.5 mm	300mm	120 X 170mm	500 x 585 x 450	26kg

Electrical Wiring

The plug is to be connected to a suitable mains socket.

This appliance is wired as follows:

- Live wire (coloured brown) to terminal marked L
- Neutral wire (coloured blue) to terminal marked N
- Earth wire (coloured green/yellow) to terminal marked E

This appliance must be earthed, using a dedicated earthing circuit.

If in doubt consult a qualified electrician.

Electrical isolation points must be kept clear of any obstructions. In the event of any emergency disconnection being required they must be readily accessible.

Compliance

The product must not be disposed of as household waste. To help prevent possible harm to human health and/or the environment, the product must be disposed of in an approved and environmentally safe recycling process. For further information on how to dispose of this product correctly, contact the product supplier, or the local authority responsible for waste disposal in your area.

Apuro parts have undergone strict product testing in order to comply with regulatory standards and specifications set by international, independent, and federal authorities.

Apuro products have been approved to carry the following symbol:



All rights reserved. No part of these instructions may be produced or transmitted in any form or by any means, electronic, mechanical, photocopying, recording or otherwise, without the prior written permission of Apuro.

Every effort is made to ensure all details are correct at the time of going to press, however, Apuro reserve the right to change specifications without notice.

DECLARATION OF CONFORMITY

- Conformiteitsverklaring • Déclaration de conformité • Konformitätserklärung • Dichiarazione di conformità •
• Declaración de conformidad • Declaração de conformidade

Equipment Type • Uitrustingstype • Type d'équipement • Gerätetyp • Tipo di apparecchiatura • Tipo de equipo • Tipo de equipamento		Model • Modèle • Modell • Modello • Modelo • Malli
220mm Meat Slicer 250mm Meat Slicer 300mm Meat Slicer		CD277-A CD278-A CD279-A
Application of Territory Legislation & Council Directives(s) Toepassing van Europese Richtlijn(en) • Application de la/des directive(s) du Conseil • Anwendbare EU-Richtlinie(n) • Applicazione delle Direttive • Aplicación de la(s) directiva(s) del consejo • Aplicação de directiva(s) do Conselho	Electrical safety EN 60335-1:2012 +A11:2014 EN 60335-2-64:2000 +A1:2002 EN 62233:2008 Electro-Magnetic Compatibility EN 55014-1: 2017 EN 55014-2: 2015 EN 61000-3-2: 2014 EN 61000-3-3: 2013	
Producer Name • Naam fabrikant • Nom du producteur • Name des Herstellers • Nome del produttore • Nombre del fabricante • Nome do fabricante		Apuro

I, the undersigned, hereby declare that the equipment specified above conforms to the above Territory Legislation, Directive(s) and Standard(s).

Ik, de ondergetekende, verklaar hierbij dat de hierboven gespecificeerde uitrusting goedgekeurd is volgens de bovenstaande Richtlijn(en) en Standaard(en).

Je soussigné, confirme la conformité de l'équipement cité dans la présente à la / aux Directive(s) et Norme(s) ci-dessus. Ich, der/die Unterzeichnende, erkläre hiermit, dass das oben angegebene Gerät der/den oben angeführten Richtlinie(n) und Norm(en) entspricht.

Il sottoscritto dichiara che l'apparechiatura di sopra specificata è conforme alle Direttive e agli Standard sopra riportati. El abajo firmante declara por la presente que el equipo arriba especificado está en conformidad con la(s) directiva(s) y estándar(es) arriba mencionadas.

Eu, o abaixo-assinado, declaro que o equipamento anteriormente especificado está em conformidade com a(s) anterior(es) Directiva(s) e Norma(s)

Date • Data • Datum • Data •
Fecha • Data

Signature • Handtekening • Signature
• Unterschrift Firma • Firma •
Assinatura

Full Name • Volledige naam • Nom et
prénom • Vollständiger Name • Nome
completo • Nombre completo • Nome
por extenso

Position • Functie • Fonction • Position
• Qualifica • Posición • Função

Producer Address • Adres fabrikant •
Adresse du producteur • Anschritt des
Herstellers • Indirizzo del produttore •
Dirección del fabricante • Morada do
fabricante

1st December 2020

DocuSigned by:
Ashley Hooper
B39382C9FD9C478...

Ashley Hooper

Technical & Quality Manager

Fourth Way,
Avonmouth,
Bristol,
BS11 8TB
United Kingdom

DocuSigned by:
Josie Holt
3582E210C4054DA...

Josie Holt

Commercial Manager/ Responsible
Supplier

15 Bagdally Road,
Campbelltown
NSW 2560



apuro