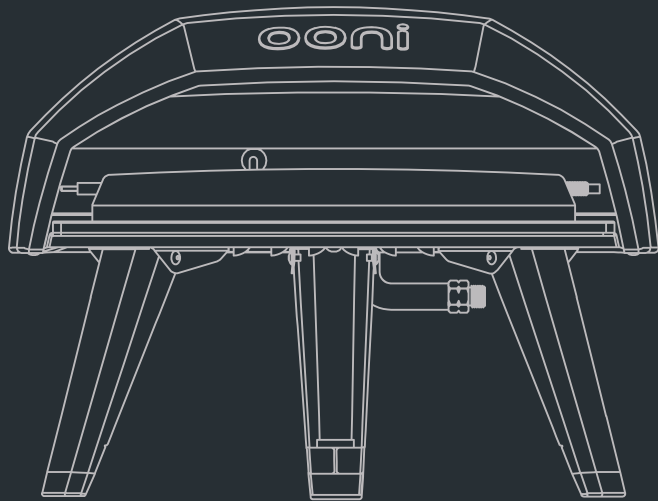




# Koda 12

Manual & Safety Instructions

AUSTRALIA





# WARNINGS

**⚠** This appliance shall only be used in an above ground open-air situation with natural ventilation, without stagnant areas, where gas leakage and products of combustion are rapidly dispersed by wind and natural convection.

**⚠** Any enclosure in which the appliance is used shall comply with one of the following: An enclosure with walls on all sides, but at least one permanent opening at ground level and no overhead cover.

## **⚠ WARNING**

To reduce the risk of fire, burn hazard or other injury, read this safety manual carefully and completely before using this appliance.

## **⚠ WARNING**

Before cleaning, make sure the gas supply and control knob is in the OFF position and that the burner and oven has cooled.

## **⚠ WARNING**

Never operate this appliance unattended. If a fire should occur, keep away from the appliance and immediately call your fire department. Do not attempt to extinguish an oil or a grease fire with water

If you smell gas:

- Shut off gas to the appliance
- Extinguish any open flame
- If odor continues, keep away from the appliance and immediately call your gas supplier or your fire department.

Failure to follow these instructions could result in fire, explosion or burn hazard which could cause property damage, personal injury or death.

## **⚠ WARNING**

FOR OUTDOOR USE ONLY.

## **⚠ WARNING**

- a. Keep the fuel supply hose away from any heated surface(s).
- b. The use of alcohol, prescription or non-prescription drugs may impair the consumer's ability to properly assemble or safely operate the appliance.
- c. Keep children and pets away from the appliance at all times.
- d. Do not move the appliance when in use.
- e. This appliance is not intended for and should never be used as a heater.

## **⚠ WARNING**

Spiders and insects can nest inside the burner of the appliance and disrupt gas flow. Inspect the burner at least once a year.

## **⚠ WARNING**

When using a match to light the appliance, make sure to use the included matchstick holder.

## **⚠ WARNING**

Do not store this appliance indoors unless the gas cylinder is disconnected.

## **⚠ WARNING**

Do not store gas cylinder in a building, garage or any other enclosed area and keep out of reach of children at all times.

## **⚠ WARNING**

This appliance is not intended to be installed in or on recreational vehicles and/or boats.

## **⚠ WARNING**

Check all gas supply fittings for leaks before each use. Do not use the appliance until all connections have been checked and do not leak.

## **⚠ WARNING**

Do not smoke while leak testing. Never leak test with an open flame.

## **⚠ WARNING**

When lighting, keep your face and hands as far away from the appliance as possible.

## **⚠ WARNING**

Do not modify this appliance.

## **⚠ WARNING**

Minimum clearance from sides of unit to combustible construction is 1m (39 inches).

Minimum clearance from back of unit to combustible construction is 1m (39 inches).

Minimum clearance top of the unit to combustible material is 1.5m (59 inches) overhead.

## **⚠ WARNING**

This instruction manual contains important information necessary for the proper assembly and safe use of the appliance. Read and follow all warnings and instructions before assembling and using the appliance. Follow all warnings and instructions when using the appliance. Keep this manual for future reference.

## **⚠ WARNING**

This manual states that an oven shall not be used on or under any apartment or condominium balcony or deck

## **⚠ WARNING**

This manual includes a list of required parts necessary for the safe operation of the appliance, directions for proper assembly and for assembly of installed parts and accessories supplied with the appliance, and proper procedures for gas leak testing.

**⚠ WARNING**

The appliance is not intended for commercial use

**⚠ WARNING**

This appliance shall be used only outdoors, and shall not be used in a building, garage, or any other enclosed area.

**⚠ WARNING**

This manual includes an instruction to clean and inspect the hose before each use of the appliance. If there is evidence of abrasion, wear, cuts, or leaks, the hose must be replaced prior to the appliance being put into operation. The replacement hose and regulator assembly must be certified to AS/NZS1869 and AS4621, with 5/8-18 UNF thread.

**⚠ WARNING**

This appliance is not intended to be installed in or on a boat. This appliance is not intended to be installed in or on a recreational vehicle.

**⚠ WARNING**

Keep the fuel supply hose away from any heated surface(s).

**⚠ WARNING**

The appliance should not be located or used under overhead unprotected combustible construction materials or surfaces. For an oven, the minimum clearance shall be at least 3m from any structure or combustible material.

**⚠ LP GAS CYLINDER WARNING**

1. Do not store spare liquid propane gas cylinder under or near this appliance.
2. Never fill the cylinder beyond 80 percent capacity.
3. Liquid propane cylinder must be fitted with an OVERFILL PROTECTION DEVICE (OPD).
4. If the information above is not followed exactly, a fire resulting in death or serious injury may occur.

**⚠ WARNING**

This manual states that the installation must conform with local codes or, in the absence of local codes, with the National Gas Code, AS/NZS 5601, Storage and Handling of Liquefied Petroleum Gases, AS/NZS 1596

**⚠ WARNING**

Do not spray aerosols in the vicinity of this appliance while in operation.

**⚠ WARNING**

Do not use or store flammable materials in or near this appliance.

**⚠ WARNING**

Do not place articles against the appliance.

**⚠ WARNING**

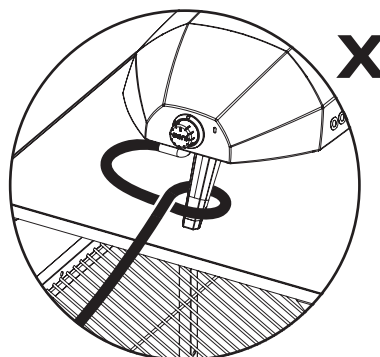
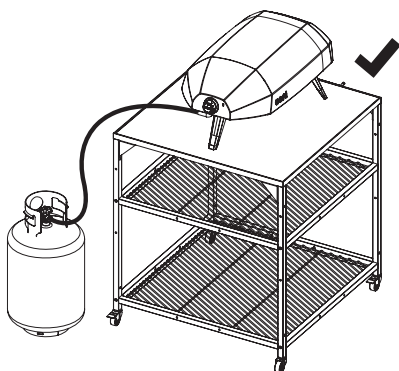
Do not modify this appliance.

**⚠ WARNING**

Do not use an adaptor at the cylinder connection.

## Connecting the gas hose to your Koda 12

**!** Always route the gas hose away from the oven. The hose must not touch the oven body.



## Before lighting

Inspect the gas supply hose prior to turning on the gas. If there is evidence of cut, wear or abrasion, it must be replaced prior to use. Ensure the rubber O-ring seal on the regulator is in good condition. If not, it must be replaced prior to use. Screw the regulator onto the gas cylinder. Leak check the hose and regulator connections with a soap and water solution before lighting the appliance.

Only the pressure regulator and gas hose assembly supplied with this appliance should be used.

## Safety practices to avoid injury

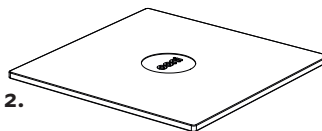
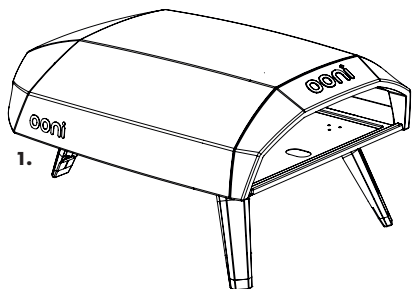
When properly cared for, your oven will provide safe, reliable service for many years. However, extreme care must be used as the oven produces intense heat that can increase the risk of accidents.

When using this oven basic practices must be followed, including but not limited to following:

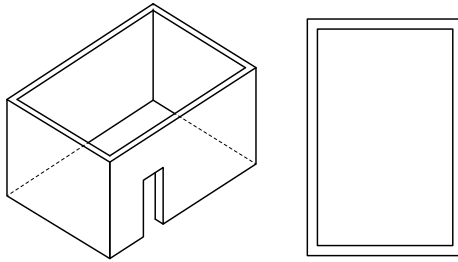
- Do not repair or replace any part of the oven unless specifically recommended in this manual. All other service should be referred to a qualified technician.
- Children should not be left alone or unattended in an area where the oven is being used. Do not allow children to sit, stand or play around the oven at any time.
- Never let clothing or other flammables come in contact with or too close to any burner or hot surface until it has cooled. The fabric could ignite, causing serious personal injury.
- For personal safety, wear proper apparel. Loose fittings garments or sleeves should never be worn while using the oven. Some synthetic fabrics are highly flammable and should not be worn while cooking.
- Do not heat unopened food containers as a build-up of pressure may cause the containers to burst. When lighting the burner, always pay close attention to what you are doing.
- When using the oven, do not touch the outer shell, stone baking board or immediate surroundings as these areas become extremely hot and could cause burns.
- Do not use the oven to cook extremely fatty meats or other products which increase flare-up.
- Keep the area surrounding the oven free from combustible material including fluids, trash and vapours such as gasoline or charcoal lighter fluid.
- Do not obstruct the flow of combustion and ventilation air.
- Never use the oven in extremely windy conditions.
- The temperature under the oven is high. Do not place the oven on a table with flammable table cloths, plastic or any other inflammable materials.

## Parts list

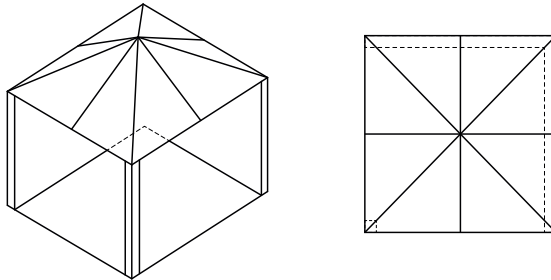
1. Ooni Koda 12
2. Stone baking board



## Diagrammatical Representation of Outdoor Areas



• Outdoor Area - Example 1



• Outdoor Area - Example 2

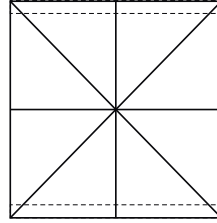
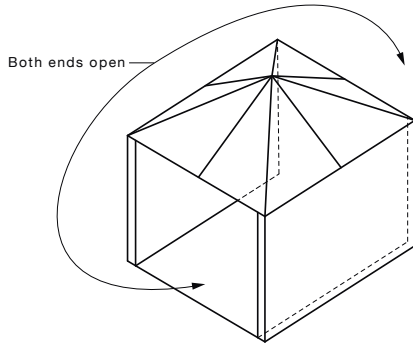
- This appliance shall only be used in an above ground open-air situation with natural ventilation, without stagnant areas, where gas leakage and products of combustion are rapidly dispersed by wind and natural convection.
- Any enclosure in which the appliance is used shall comply with one of the following:  
An enclosure with walls on all sides, but at least one permanent opening at ground level and no overhead cover.

Within a partial enclosure that includes an overhead cover and no more than two walls.

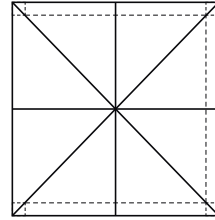
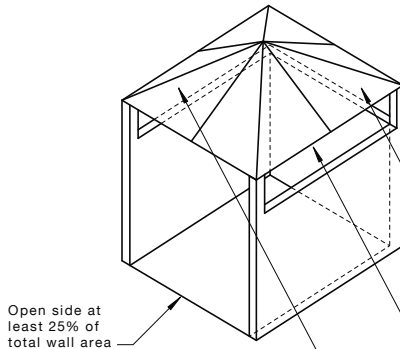
Within a partial enclosure that includes an overhead cover and more than two walls, the following shall apply:

- (i) at least 25% of the total wall area is completely open; and
- (ii) at least 30% of the remaining wall area is open and unrestricted.

In the case of balconies, at least 20% of the total of the side, back and front wall areas shall be and remain open and unrestricted.

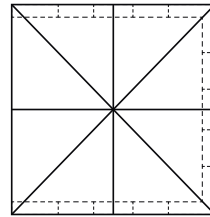
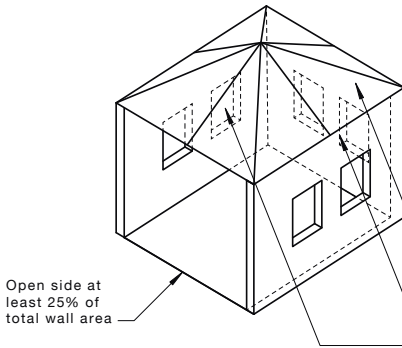


• Outdoor Area - Example 3



30 percent or more in total of the remaining wall area is open and unrestricted

• Outdoor Area - Example 4



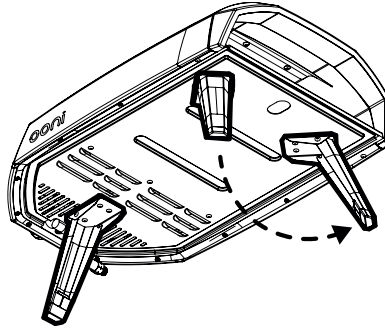
30 percent or more in total of the remaining wall area is open and unrestricted

• Outdoor Area - Example 5

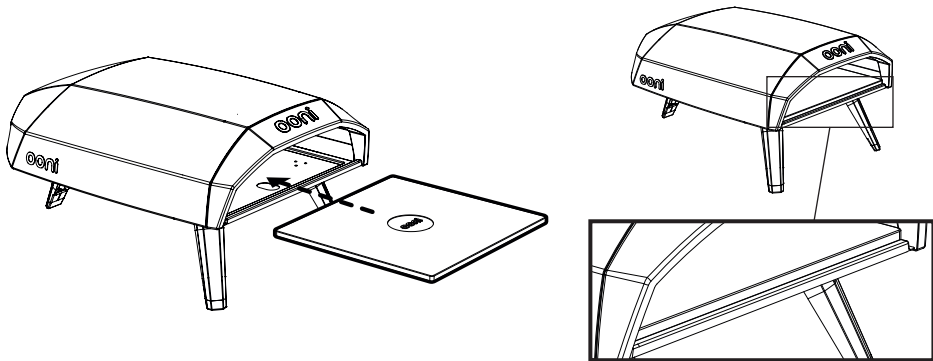
## Assembly

Before assembly, make sure all parts are present. If any part is missing or damaged, do not attempt to assemble the appliance. Contact customer service for replacement parts.

### Step 1 Unfold the legs

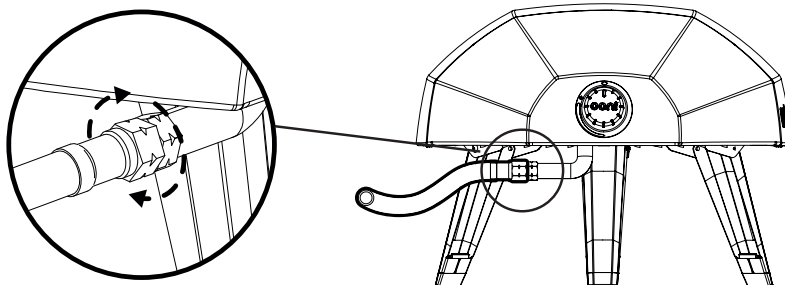


### Step 2 Insert the stone baking board



### Step 3 The gas hose to Ooni Koda is already preassembled

This is one the locations to check for leaks.

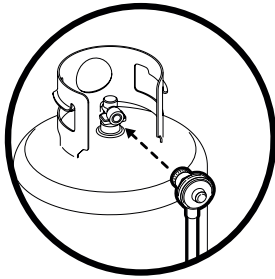




## 4. Connecting to gas tank

### **▲ WARNING**

- Please always keep the gas bottle in upright position.
- The size for 9 kg LP gas cylinder is 310 mm in diameter and 455 mm tall, minimum cylinder capacity is 4kg and maximum is 13kg.
- If the appliance is not in use, the gas must be turned off at the supply cylinder.
- The cylinder used must include a collar to protect the cylinder valve.
- The minimum distance for the appliance and the 9kg gas tank is 1m apart.



### **Type 27 gas regulator**

This gas fitting is clockwise. Make sure that the tank is completely switched off and screw the regulator as far as possible into the gas tank valve.

### **Connecting the liquid propane gas cylinder**

1. To connect the liquid propane gas cylinder:
2. The cylinder valve should be in OFF position.
3. Make sure the burner valve is in OFF position.
4. Inspect the valve connections, port and regulator assembly. Remove debris and inspect the hose for damage.
5. When connecting the regulator assembly to the valve, use your hand to tighten the nut clockwise until it stops.

Use of a wrench could damage the quick coupling nut and result in a hazardous situation.

6. Open the cylinder valve fully by turning the valve counterclockwise.
7. Before lighting the oven, use a soap and water solution to check all connections for leaks.
8. If a leak is found, turn the cylinder valve OFF, and do not use the oven until local liquid propane dealer can make repairs.

### **Disconnecting the liquid propane gas cylinder**

1. Turn the oven burner valve OFF and make sure the oven is cool.
2. Turn the liquid propane cylinder valve OFF by turning clockwise until it stops.
3. Detach the regulator assembly from the cylinder valve by turning the quick coupling nut clockwise.
4. Place dust cap for cylinder valve outlet whenever the cylinder is not in use.

## LEAK TESTING

### General

Although the gas connections of the appliance are leak tested prior packing and shipment, a complete test must be performed at the installation site.

Before each use, check all the gas connections for leaks using the procedure listed below. If the smell of gas is detected at any time, you should immediately stop using , shut off the gas from the cylinder, re-tighten any connections and check the entire system for leaks.

### Before testing

Make sure all packing material has been removed from the appliance.

Make a solution of one part liquid detergent and one part water. You will need a spray bottle, brush or rag to apply the solution to the fittings.

### To test

1. Turn the burner valve **OFF**
2. Turn the liquid propane cylinder valve on counterclockwise to open the valve.
3. Apply the soap solution to all gas fittings. Soap bubbles would appear where a leak is present.
4. If a leak is present, immediately turn the gas supply **OFF** and tighten leaky fittings.
5. Turn the gas back **ON** and recheck.
6. Should the gas continue to leak from any of the fittings, turn the gas supply **OFF** and contact customer service.

## Operating instructions

### Using the oven

Each burner is rated at 14 MJ/h.

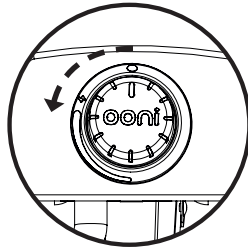
To begin:

1. Make sure the oven has been leak tested and properly placed.
2. Remove any remaining packing material.
3. Light the burner using the LIGHTING INSTRUCTIONS below

### Lighting instruction

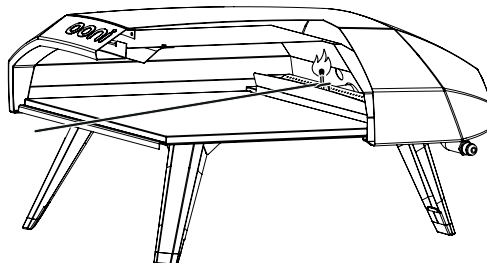
#### To light the burner

1. Make sure the control knob is in OFF position, and then turn the liquid propane cylinder valve ON by slowly turning counter-clockwise.
2. Push in and slowly turn the control knob anticlockwise until you hear a click and the burner ignites, holding control knob in for 10 seconds.
3. If burner doesn't light, turn the knob OFF, wait 5 minutes and repeat the lighting.



#### To light with a match

1. If burner will not light after several attempts using the control knob, the burner may be lit with a match.
2. If you have already attempted to light the burner using the control knob, wait 5 minutes for any gas to dissipate.
3. Insert a match into the matchstick holder, ignite the match and insert through the oven opening to the burner.
4. Push and turn the control knob to HI slowly, while holding control knob in for 10 seconds, the burner should ignite immediately.
5. If the burner does not light within seconds, turn the control knob OFF and wait 5 minutes and try again.



## Care and maintenance

Store Ooni Koda out of direct sunlight and indoors where possible and when storing for extended periods of time. Ooni Koda should not be exposed to harsh weather conditions such as snow, heavy rain and strong winds. Wait for Ooni Koda to cool completely before moving and cleaning. We recommend cleaning after each use to extend the life of the Ooni Koda as well as prevent accumulated grease from catching fire. The outer shell of Ooni Koda may fade over time and through use. This will not affect performance.

### Stone baking board

1. DO NOT use the stone over an open flame
2. Avoid extreme temperature change to the stone. DO NOT place frozen foods on a hot stone
3. The stone is fragile and can break if bumped or dropped
4. The stone is very hot during use and stays hot for a long time after use.
5. DO NOT cool the stone with water when the stone is hot
6. After cleaning the stone with water, please dry the stone before use. This can be done in a conventional oven at 60°C (140°F) for 2 hours.
7. Burnt on food can be cleaned by flipping the stone where it will clean itself due to the high oven temperatures

### Oven Interior

Wipe down with a paper towel between uses to remove any debris.

### Other areas of oven

Clean when required using a non abrasive sponge

## Troubleshooting

Problem	Possible Cause	Prevention/Solution
Burner will not light	<ol style="list-style-type: none"> <li>1. No gas flow</li> <li>2. Coupling nut and regulator not fully connected</li> <li>3. Obstruction of gas flow</li> <li>4. Disengagement of burner to valve</li> <li>5. Incorrect assembly</li> </ol>	<ol style="list-style-type: none"> <li>1. Check to see if propane tank is empty</li> <li>2. Turn the coupling nut about one-half to three quarters additional turn until solid stop. Tighten by hand only - do not use tools</li> <li>3. Clear burner tube</li> <li>4. Reengage burner and valve</li> <li>5. Check steps in assembly instructions</li> </ol>
Sudden drop in gas flow or low flame	<ol style="list-style-type: none"> <li>1. Out of gas</li> </ol>	<ol style="list-style-type: none"> <li>1. Check for gas in propane tank</li> <li>2. Turn off gas control knob, wait 30 seconds and light oven. If flames are still low, turn off gas control knob and propane tank valve. Disconnect regulator. Reconnect regulator and leak test. Turn on propane tank valve, wait 30 seconds and then light oven.</li> </ol>
Flames blow out	<ol style="list-style-type: none"> <li>1. High or gusting winds</li> <li>2. Low on propane gas"</li> </ol>	<ol style="list-style-type: none"> <li>1. Turn front of oven away from wind</li> <li>2. Refill propane tank</li> <li>3. Refer to Sudden drop in gas flow above</li> </ol>
Flare-up	<ol style="list-style-type: none"> <li>1. Grease build up</li> <li>2. Excessive fat in meat</li> <li>3. Excessive cooking temperature</li> <li>4. Excess flour on the cooking surface</li> </ol>	<ol style="list-style-type: none"> <li>1. Clean oven</li> <li>2. Trim fats from meat before cooking</li> <li>3. Adjust (lower) temperature accordingly</li> <li>4. Brush remnant flour from cooking surface</li> </ol>
Flashback (fire in burner tube, roaring sound from burner)	<ol style="list-style-type: none"> <li>1. Burner and/or burner tubes are blocked</li> <li>2. Pressure drop during ignition</li> </ol>	<ol style="list-style-type: none"> <li>1. Turn gas control knob off. Clean burner and/or burner tubes.</li> <li>2. Turn off oven, ensure the tank valve is fully open (if applicable) and relight.</li> </ol>
<p>If the product is still not performing correctly, turn knobs OFF, disconnect the gas source and contact Ooni using the contact details found at <a href="http://ooni.com">ooni.com</a>.</p>		



The Ooni Customer Service can be reached via [www.ooni.com](http://www.ooni.com) or [support.ooni.com](mailto:support.ooni.com)

## Product technical information



### Model number

Ooni Koda 12

### Product Label

# ooni

Ooni Limited, Unit 5, Bishopsgate Business Center,  
189 West Main Street, Broxburn, Scotland, EH52 5LH

Model	Ooni Koda 12	IAPMO Certificate Number: GMK10695   
Type of gas	Propane	
Gas pressure	2.75 kPa	
Total heat input	14 MJ/h	
Destination country	AUS	
Injector size/markings	0.74mm/0.74	SN:
THIS APPLIANCE MUST BE KEPT AT LEAST 1M AWAY FROM COMBUSTIBLE MATERIALS DURING USE. THIS APPLIANCE MUST HAVE AT LEAST 1.5M OVERHEAD CLEARANCE FROM COMBUSTIBLE MATERIALS DURING USE. FOR STORAGE AND CYLINDER EXCHANGE, DISCONNECT THE CYLINDER ONLY. DO NOT DISCONNECT HOSE FROM THE APPLIANCE.		

### Ooni Koda 12 - Outdoor Use Gas Grill

Gas Type	Number of Burners	Injector Size Main Burner	Total Gas Consumption mj/h	Gas Pressure KPa
Propane	1	0.74	14 MJ/h	2.75

# OUTDOOR USE ONLY



**DO NOT** OPERATE THIS APPLIANCE BEFORE READING THE INSTRUCTION BOOKLET

**DO NOT** PLACE ARTICLES ON OR AGAINST THIS APPLIANCE

**DO NOT** STORE CHEMICALS OR FLAMMABLE MATERIALS, OR SPRAY AEROSOLS NEAR THIS APPLIANCE

**DO NOT** OPERATE THE APPLIANCE INDOORS

**DO NOT** OPERATE IN AN ENCLOSED AREA

**DO NOT** OPERATE THIS APPLIANCE BEFORE LEAK CHECKING HOSES AND GAS CYLINDER CONNECTION

## IGNITION INSTRUCTIONS

1. READ INSTRUCTIONS BEFORE USE
2. ENSURE HOSE AND SEAL ARE LEAK TIGHT
3. PUSH IN CONTROL KNOB AND SLOWLY TURN ANTI-CLOCKWISE UNTIL YOU HEAR A CLICK WHILE HOLDING IN FOR 8 SECONDS.
4. IF BURNER DOESN'T IGNITE WAIT 1 MINUTE FOR GAS TO DISSIPATE BEFORE TRYING AGAIN.
5. TURN OFF GAS SUPPLY AT THE CYLINDER AFTER USE.
6. TURN OFF APPLIANCE VALVE AFTER USE.

**KEEP AT LEAST 1M AWAY FROM COMBUSTIBLE MATERIALS DURING USE.**

**KEEP AT LEAST 1.5M OVERHEAD CLEARANCE FROM COMBUSTIBLE MATERIALS DURING USE.**

ooni.com  
© 2022 Ooni  
Ooni is a registered trademark of Ooni Ltd.  
All rights reserved.

PA-A00008