



Clarke's Safety Mirrors Ltd

Product Catalogue and Price Lists

June 2023
Revision Number: 007

Tel: 01952 605557
Email: enquiries@csmirrors.co.uk



Clarke's Safety Mirrors – About Us



Safe Mirrors for All Environments

At Clarke's Safety Mirrors Ltd, we have supplied safety mirrors to Education, Health, Correctional, Care and other safety conscious industries since 1997. We offer a range of mirrors with durability levels from impact resistant to virtually unbreakable.

We have grown through our knowledge and understanding of the industry. Our team has developed close working relationships with our customers and the industries that we supply. We are constantly developing our products and services to meet the requirements of our customers. This enables us to remain market leaders in this demanding, niche and safety conscious industry.

Industries We Supply

- Education – schools, nurseries, colleges & universities.
- Healthcare
- Mental health environments
- Corrections
- General commercial & domestic
- Retail
- Food preparation & manufacturing
- Construction
- Care homes
- Hospitality – hotels, pubs, bars & restaurants.
- Furniture manufacturing
- Public transport – train & bus stations
- Police & fire stations
- Manufacturing
- Sport facilities
- & Many others

Made to Measure Service. Fast Nationwide Delivery.

30 Day Accounts Available.

Tel: 01952 605557 Email: enquiries@csmirrors.co.uk Website: www.csmirrors.co.uk/

All prices exclude VAT. We reserve the right to amend our prices anytime without notice. Full terms and conditions can be found on our website.
Full product specifications are available upon request.

Our Products

Our standard range of safety mirrors. More information can be found on our website.

<u>Mirror Type</u>	<u>Typical Environments</u>	
<p>Acrylic Mirrors</p> <p>An impact resistant material that is approximately 10 times stronger than glass.</p> <p>Available in 3mm & 6mm thick. Optional scratch resistant coating.</p>	<ul style="list-style-type: none"> • Schools • Care homes • Nurseries • Student accommodation • Healthcare • Public buildings 	
<p>Polycarbonate Mirrors</p> <p>Virtually unbreakable with excellent fire resistance. Our polycarbonate mirrors are approximately 200 times stronger than glass.</p>	<ul style="list-style-type: none"> • High security applications • Hospitals • Public buildings • Train & Bus Stations • Prisons • Police stations & Courts 	
<p>Stainless Steel Mirrors</p> <p>Highly polished grade 304 stainless steel safety mirrors. Anti-vandal and hygienic.</p> <p>Ultra-bright finish.</p>	<ul style="list-style-type: none"> • Public Buildings • Train & Bus Stations • Food Factories • Prisons • Clean Rooms • Operating Theatres 	
<p>Safety Backed Glass Mirrors</p> <p>6mm thick glass mirrors with a polypropylene safety backing to BS6206 Class B & C. Used in a wide range of different applications</p>	<ul style="list-style-type: none"> • General Commercial & Domestic Use. • Schools • Universities • Offices • Hospitality • Healthcare 	
<p>Framed Impact Resistant Glass Mirrors</p> <p>Our Impact Resistant Glass Mirrors provide protection against human body collision.</p> <p>A 4mm thick safety backed mirror, fully bonded to an impact absorbing foam backing and surrounded by a high quality aluminum frame. Supplied with secret fixings</p>	<ul style="list-style-type: none"> • Healthcare • General Commercial & Domestic Use. • Offices • Hotels 	

Tel: 01952 605557 Email: enquiries@csmirrors.co.uk Website: www.csmirrors.co.uk/

All prices exclude VAT. We reserve the right to amend our prices anytime without notice. Full terms and conditions can be found on our website.
Full product specifications are available upon request.

<u>Mirror Type</u>	<u>Typical Environments</u>	
<p>Flat Ligature Resistant Safety Mirrors</p> <p>A virtually unbreakable polycarbonate safety mirror designed specifically for use in the harsh corrections and mental health environment.</p>	<ul style="list-style-type: none"> • Mental health environments • Hospitals • Corrections • Applications where there is a risk of self-harm or harm to others. 	
<p>Framed Ligature Resistant Safety Mirrors</p> <p>These mirrors are both aesthetically pleasing and virtually unbreakable. The frame is manufactured with a radius edge to minimize the ligature risk, making these mirrors suitable for mental health applications.</p>	<ul style="list-style-type: none"> • Mental health environments • Hospitals • Corrections • Applications where there is a risk of self-harm or harm to others. 	
<p>Ligature Resistant Observation Mirrors</p> <p>These polycarbonate observation mirrors are designed to eliminate blind spots and improve safety in mental health and corrections environments.</p>	<ul style="list-style-type: none"> • Mental health environments • Hospitals • Corrections • Applications where there is a risk of self-harm or harm to others. 	
<p>Stainless Steel Convex Mirrors</p> <p>Anti-vandal convex mirror manufactured from high quality stainless steel, making them virtually unbreakable and corrosion resistant.</p>	<ul style="list-style-type: none"> • Public buildings • Train stations • Bus stations • Subways 	
<p>Multi- Purpose Convex Mirrors</p> <p>Suitable for both indoor & outdoor use. Used to improve safety & eliminate blind spots.</p>	<ul style="list-style-type: none"> • Warehouses • Shops • Roads • Car parks • Blind bends • Public buildings 	
<p>Traffic Mirrors</p> <p>Designed to prevent road accidents by providing maximum visibility at strategic locations and blind spots.</p>	<ul style="list-style-type: none"> • Roads • Car parks • Blind bends 	

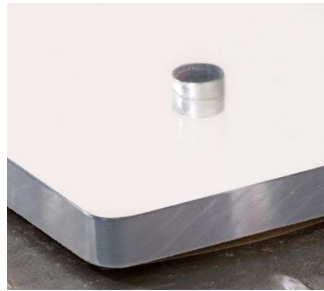
Acrylic Safety Mirrors

Acrylic is a strong, impact resistant material. It is approximately 10 times stronger than glass. Trade names include Plexiglass and Perspex.

Acrylic mirrors are often used in environments where glass would not be safe or practical, making them suitable for use in most schools and public buildings.

Key Information:

- Made to measure service. Custom specifications available.
- Our acrylic mirrors can be supplied with an optional scratch-resistant coating for improved abrasion resistance.
- Suitable for fixing to any flat substrate.
- Available in 3mm and 6mm thickness.
- Multiple fixing options.
- Supplied with smooth polished edges and rounded corners as standard.
- Superb reflection quality.
- Lightweight & easy to install.



Fixing Options	Price	Code
Screw Holes & Dome Head Screws	£3.75	ASH04
Screw Holes & Anti-Tamper Fixings	£5.45	SECS4
Double Sided Tape	£2.70	TAP01
Mirror Adhesive (290ml)	£7.75	ADH01

**Made to Measure
Service Available**

Standard Sizes

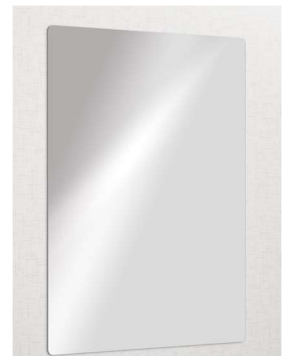
Mirror Size	3mm Price	3mm SKU	6mm Price	6mm SKU
300 x 300mm	£10.00	A3030	£17.00	A3030-6
450 x 300mm	£16.00	A4530	£29.00	A4530-6
650 x 300mm	£22.00	A6530	£37.00	A6530-6
800 x 300mm	£25.00	A8030	£43.00	A8030-6
900 x 300mm	£30.00	A9030	£51.00	A9030-6
1000 x 300mm	£35.00	A10030	£59.00	A10030-6
600 x 400mm	£28.00	A6040	£47.00	A6040-6
1500 x 400mm	£62.00	A15040	£96.00	A15040-6
1600 x 400mm*	£66.00	A16040	£104.00	A16040-6
600 x 450mm	£32.00	A6045	£51.00	A6045-6
1000 x 450mm	£47.00	A10045	£79.00	A10045-6
1200 x 450mm	£51.00	A12045	£91.00	A12045-6
1300 x 500mm	£77.00	A13050	£138.00	A13050-6
600 x 600mm	£37.00	A6060	£59.00	A6060-6
1200 x 600mm	£63.00	A12060	£110.00	A12060-6
1000 x 700mm			£114.00	A10070-6
380mm Dia	£22.00	A380D	£43.00	A380D-6
595mm Dia	£37.00	A595D	£58.00	A595D-6
Made to Measure	POA	AXXXX	POA	AXXXX

Quantity Discounts Available.

Acrylic mirrors can be bonded to 15mm MR MDF for increased rigidity. Contact us for a quote.

Delivery

These mirrors are manufactured to order. Lead times will depend on quantity. Please contact us for more information.



Carriage & Packaging	Price	Code
Standard UK Delivery*	£12.95	DEL01
*Excludes NI, Highlands & Islands		

Tel: 01952 605557 Email: enquiries@csmirrors.co.uk Website: www.csmirrors.co.uk/

All prices exclude VAT. We reserve the right to amend our prices anytime without notice. Full terms and conditions can be found on our website. Full product specifications are available upon request.

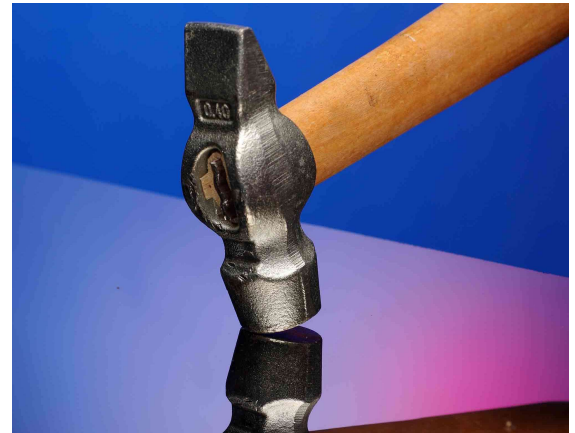
Polycarbonate Mirrors

Our polycarbonate mirrors are virtually unbreakable. They are approximately 200 times stronger than glass.

Polycarbonate is used where high impact and fire resistance properties are essential.

Key Information:

- Virtually unbreakable.
- Made to measure service.
- Available in 3mm and 6mm thick.
- Supplied with a Scratch Resistant Coating as standard.
- This improves abrasion resistance & extends product life.
- Multiple fixing options.
- Supplied with rounded corners and smooth polished edges as standard.
- Suitable for fixing to any flat substrate.
- Excellent fire resistance.
- Ligature Resistant variants available.



All our Polycarbonate Mirrors are supplied with a scratch resistant coating to improve abrasion resistance and extend product life.

Fixing Options	Price	Code
Screw Holes & Dome Head Screws	£3.75	ASH04
Screw Holes & Anti-Tamper Fixings	£5.45	SECS4
Double Sided Tape	£2.70	TAP01
Mirror Adhesive (290ml)	£7.75	ADH01

Standard Sizes

Mirror Size	3mm Price	3mm SKU	6mm Price	6mm SKU
300 x 300mm	£29.00	PA3030	£52.00	PA3030-6
450 x 300mm	£43.00	PA4530	£75.00	PA4530-6
650 x 300mm	£51.00	PA6530	£93.00	PA6530-6
800 x 300mm	£62.00	PA8030	£109.00	PA8030-6
900 x 300mm	£71.00	PA9030	£119.00	PA9030-6
1000 x 300mm	£73.00	PA10030	£128.00	PA10030-6
600 x 400mm	£69.00	PA6040	£114.00	PA6040-6
1500 x 400mm	£153.00	PA15040	£260.00	PA15040-6
1600 x 400mm*	£163.00	PA16040	£278.00	PA16040-6
600 x 450mm	£71.00	PA6045	£117.00	PA6045-6
1000 x 450mm	£114.00	PA10045	£198.00	PA10045-6
1200 x 450mm	£145.00	PA12045	£237.00	PA12045-6
1300 x 500mm	£180.00	PA13050	£298.00	PA13050-6
600 x 600mm	£82.00	PA6060	£140.00	PA6060-6
1200 x 600	£155.00	PA12060	£262.00	PA12060-6
Made to Measure	POA	PAXXXX	POA	PAXXXX

Made to Measure Service Available

Quantity Discounts Available

Delivery

These mirrors are manufactured to order. Lead times will depend on quantity. Please contact us for more information.

Carriage & Packaging	Price	Code
Standard UK Delivery*	£12.95	DEL01
*Excludes NI, Highlands & Islands		

Tel: 01952 605557 Email: enquiries@csmirrors.co.uk Website: www.csmirrors.co.uk/

All prices exclude VAT. We reserve the right to amend our prices anytime without notice. Full terms and conditions can be found on our website. Full product specifications are available upon request.

Stainless Steel Mirrors

High strength stainless steel mirrors. Anti-vandal. Polished to an ultra-bright finish.

These stainless steel mirrors are virtually unbreakable and hygienic.

Key Information:

- The super mirror polish provides an ultra-bright finish & excellent image quality.
- Virtually unbreakable.
- Anti-vandal. These mirrors are suitable for applications where vandalism is likely.
- Made to measure service available.
- 0.9mm thick as standard. 1.2mm & 1.5mm thickness available upon request.
- Hygienic. Suitable for use in food manufacturing and sterile environments.
- Supplied with rounded corners and polished edges.
- Multiple fixing options.
- Marine grade 316 stainless steel available.
- Stainless steel mirrors can be supplied bonded to 6mm PVC for increased rigidity. Please contact us for a quote.



**Made to Measure
Service Available**

Quantity Discounts Available

Standard Sizes

Size (mm)	0.9mm Price	SKU
300 x 300	£23.00	S3030
450 x 300	£34.00	S4530
800 x 300	£49.00	S8030
1200 x 300	£78.00	S12030
800 x 400	£59.00	S8040
1200 x 400	£99.00	S12040
600 x 450	£57.00	S6045
600 x 600	£67.00	S6060
1200 x 600	£124.00	S12060
500 Dia	£66.00	S500D

Fixing Options	Price	Code
Screw Holes & Dome Head Screws	£5.45	SSH04
Screw Holes & Anti-Tamper Fixings	£5.45	SECS4
Double Sided Tape	£2.70	TAP01
Mirror Adhesive (290ml)	£7.75	ADH01

Delivery

These mirrors are manufactured to order. Lead times will depend on quantity. Please contact us for more information.

Carriage & Packaging	Price	Code
Standard UK Delivery*	£12.95	DEL01
*Excludes NI, Highlands & Islands		

Tel: 01952 605557 Email: enquiries@csmirrors.co.uk Website: www.csmirrors.co.uk/

All prices exclude VAT. We reserve the right to amend our prices anytime without notice. Full terms and conditions can be found on our website. Full product specifications are available upon request.

Safety Backed Glass Mirrors

Our standard range of glass mirrors are supplied safety backed to BS6206 class B & C.

Suitable for use in a wide range of different applications.

Key Information:

- Safety backed. Complies to BS6206 Class B & C / BS EN 12600 2B2.
- Made to measure service. Custom specifications available.
- Our standard glass mirrors are 6mm thick and are supplied with a flat polished edge (2mm bevel).
- Supplied with screw holes, washers & dome head screws as standard. Other fixing methods available upon request.

Alternative Fixing Methods

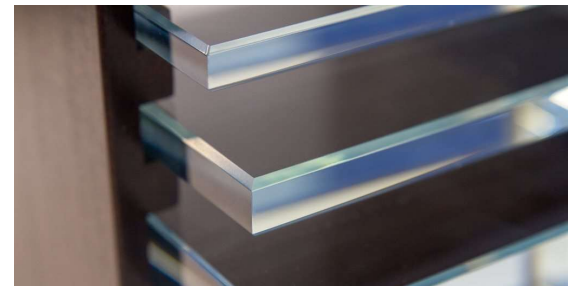
- Aluminium mirror trim.
- Verity clips.
- Mirror adhesive (mirrors supplied without safety backing).

Specialist Requirements

- Toughened glass mirrors. Safety backed to BS6206 Class A.
- 4mm thick glass mirrors.
- Custom beveled edges between 6mm & 40mm.

Standard Sizes

Size (mm)	Price	Code
450 X 300	£25.00	G4530
650 X 300	£26.00	G6530
800 X 300	£27.00	G8030
600 x 400	£26.00	G6040
800 x 400	£35.00	G8040
1000 x 400	£44.00	G10040
450 x 450	£26.00	G4545
600 X 450	£30.00	G6045
1000 X 450	£50.00	G10045
1200 X 450	£59.00	G12045
1300 x 500	£72.00	G13050
600 X 600	£40.00	G6060
900 X 600	£59.00	G9060
1200 X 600	£79.00	G12060



Quantity Discounts Available

**Made to Measure
Service Available**

Delivery

We keep standard sizes in stock. These can be delivered in 1-2 working days. Made to measure glass mirrors can be supplied in 10-12 working days.

The lead time for custom beveled and toughened mirrors will be longer. Please contact us for more information.

Carriage & Packaging	Price	Code
UK Delivery*	POA	DEL03

Tel: 01952 605557 Email: enquiries@csmirrors.co.uk Website: www.csmirrors.co.uk/

All prices exclude VAT. We reserve the right to amend our prices anytime without notice. Full terms and conditions can be found on our website. Full product specifications are available upon request.

Framed Impact Resistant Glass Mirrors

Our Impact Resistant Glass Mirrors provide protection against human body collision.

The product conforms to BS6206 and provides improved safety compared to conventional glass mirrors.

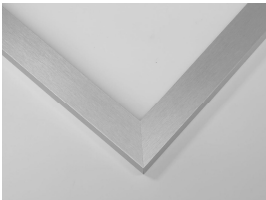
Key Information:

- Provides protection against human body collision.
- This product features a 4mm thick safety backed mirror, fully bonded to an impact absorbing foam backing.
- Supplied in a high quality aluminium frame. Range of colours available.
- Concealed and secure fixings.
- Made to measure service available.
- Conforms to BS6206 Class B & C / BS EN 12600 2B2.
- The product is ideal for health and care environments.

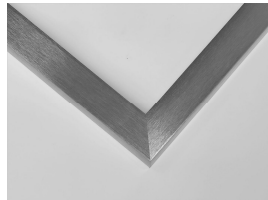


Colour Options

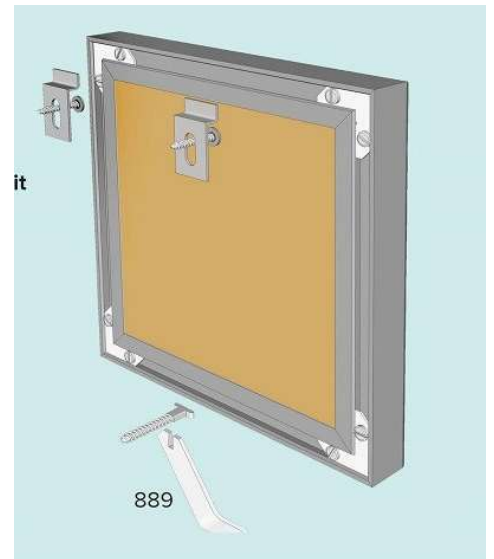
Frosted Silver
600012



Grey Pewter
600170



Satin Black
600250



Standard Sizes

Size (mm)	Price	SKU
650 x 300	£95.00	IRG6530
800 x 300	£106.00	IRG8030
1200 x 400	£158.00	IRG12040
Made to Measure	POA	IRGXXXX

Quantity Discounts Available

Delivery

These mirrors are manufactured to order. Lead times will depend on quantity. Please contact us for more information.

Made to Measure Service Available

Carriage & Packaging	Price	Code
Standard UK Delivery*	POA	DEL03

Tel: 01952 605557 Email: enquiries@csmirrors.co.uk Website: www.csmirrors.co.uk/

All prices exclude VAT. We reserve the right to amend our prices anytime without notice. Full terms and conditions can be found on our website. Full product specifications are available upon request.

Flat Ligature Resistant Safety Mirrors

A virtually unbreakable polycarbonate safety mirror designed specifically for use in the harsh corrections and mental health environment.

These virtually unbreakable polycarbonate mirrors are supplied with rounded corners and a 3mm radius edge to minimise ligature risk. This product is suitable for environments where there is a risk of self-harm or harm to others.

Key Information:

- Ligature resistant design. These mirrors feature 25mm radius corners* and a 3mm edge radius, leaving a 3mm flat section to facilitate anti-pick mastic.
- Made to measure service available.
- Manufactured from high quality 6mm thick polycarbonate - making these mirrors virtually unbreakable.
- Supplied with a scratch resistant coating to improve abrasion resistance and extend product life.
- Standard fixings include countersunk stainless steel anti-tamper fixings and very high bond double sided tape. Mirrors can be supplied without the tape to allow for adhesive fixing.
- Circular & oval mirrors available.

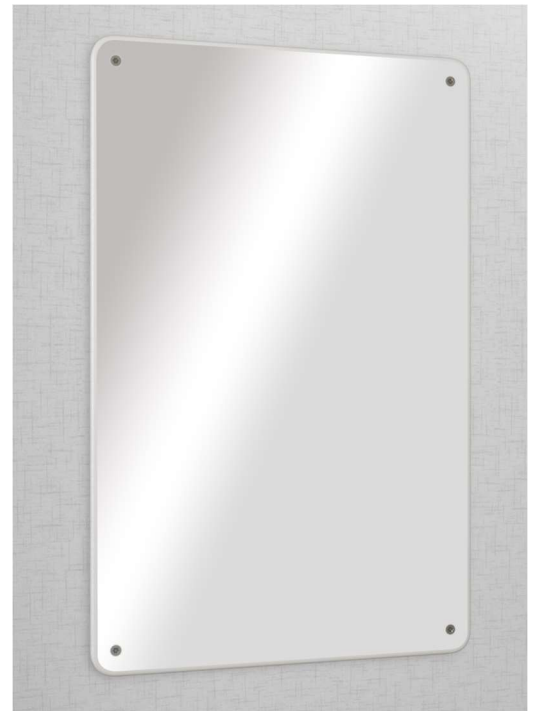
* Applicable to rectangular mirrors only.

Standard Sizes

Size (mm)	Price	SKU
300 x 200	£55.00	IP3020
300 x 300	£66.00	IP3030
450 x 300	£86.00	IP4530
650 x 300	£103.00	IP6530
800 x 300	£125.00	IP8030
1000 x 300	£140.00	IP10030
800 x 400	£168.00	IP8040
1600 x 400*	£304.00	IP16040
600 x 450	£129.00	IP6045
1300 x 500	£325.00	IP13050
450 Dia	£111.00	IP450D
600 x 400 Oval	£134.00	IP6040-OV
Made To Measure	POA	IPXXXX

Quantity Discounts Available

Our polycarbonate mirrors are supplied with a scratch resistant coating to improve abrasion resistance.



Delivery

These mirrors are manufactured to order. Lead times will depend on quantity. Please contact us for more information.

Carriage & Packaging	Price	Code
Standard UK Delivery*	£12.95	DEL01
*Excludes NI, Highlands & Islands		

Tel: 01952 605557 Email: enquiries@csmirrors.co.uk Website: www.csmirrors.co.uk/

All prices exclude VAT. We reserve the right to amend our prices anytime without notice. Full terms and conditions can be found on our website. Full product specifications are available upon request.

Framed Ligature Resistant Safety Mirrors

A virtually unbreakable polycarbonate mirror in a ligature resistant PVC frame. Designed specifically for use in the harsh corrections and mental health environment.

These mirrors are both aesthetically pleasing and virtually unbreakable. The frame is manufactured with a radius edge to minimize the ligature risk, making these mirrors suitable for mental health applications.

Key Information:

- Ligature resistant design. The frame is manufactured from 9mm white PVC. It features 25mm radius corners* and a radius edge. A 3mm flat section around the frame facilitates anti-pick mastic.
- Made to measure service available.
- The robust design reduces the potential for self-harm or harm to others. The frame is manufactured from a single component for maximum durability.
- The polycarbonate mirror insert is supplied with a scratch resistant coating to improve abrasion resistance and extend product life.
- The mirror frame is designed to be fully bonded to the substrate and anti-pick mastic to be applied to the perimeter.
- These mirrors are supplied with countersunk stainless steel anti-tamper fixings for additional security.
- Circular & oval mirrors available.

* Applicable to rectangular mirrors only.



Standard Sizes

Size O/A	Price	SKU
450 x 300	£109.00	W4530
650 x 300	£142.00	W6530
800 x 300	£149.00	W8030
800 x 400	£181.00	W8040
450 Dia Circle	£149.00	W450D
600 x 400 Oval	£153.00	W6040-OV
Made To Measure	POA	IPXXXX

Quantity Discounts Available

Our polycarbonate mirrors are supplied with a scratch resistant coating to improve abrasion resistance.

Delivery

These mirrors are manufactured to order. Lead times will depend on quantity. Please contact us for more information.

Carriage & Packaging	Price	Code
Standard UK Delivery*	£12.95	DEL01
*Excludes NI, Highlands & Islands		

Tel: 01952 605557 Email: enquiries@csmirrors.co.uk Website: www.csmirrors.co.uk/

All prices exclude VAT. We reserve the right to amend our prices anytime without notice. Full terms and conditions can be found on our website. Full product specifications are available upon request.

Ligature Resistant Observation Mirrors

These polycarbonate observation mirrors are designed to eliminate blind spots and improve safety in mental health and corrections environments.

Virtually unbreakable polycarbonate mirrors in a high strength, ligature resistant steel frame. A foam insert is included for additional security.

Key Information:

- Ligature resistant design.
- Available in quarter, half & full hemisphere. Multiple sizes available.
- This product can be used to eliminate blind spots to improve safety.
- The mirror is manufactured from 2mm mirrored polycarbonate and is supplied in powder coated steel frame.
- These mirrors are supplied with a foam plug for additional security as standard.
- The frame and fixing hole design has been developed to meet the stringent requirements of the UK Home Office and the London Metropolitan Police.



Standard Sizes

Type	Size	SKU	Price
Quarter (90 Degree)	300 x 300mm	3030-90F	POA
Half (180 Degree)	450 x 225mm	4525-180F	
Half (180 Degree)	600 x 300mm	6030-180F	
Full (360 Degree)	450mm Dia	450-360F	
Full (360 Degree)	600mm Dia	600-360F	

Quantity Discounts Available

Delivery

We keep an extensive stock for express delivery. Please contact us for more information.

Carriage & Packaging	Price	Code
UK Delivery	POA	DEL02



Tel: 01952 605557 Email: enquiries@csmirrors.co.uk Website: www.csmirrors.co.uk/

All prices exclude VAT. We reserve the right to amend our prices anytime without notice. Full terms and conditions can be found on our website. Full product specifications are available upon request.

Stainless Steel Convex Mirrors

These anti-vandal convex mirrors are manufactured from high quality stainless steel, making them virtually unbreakable and corrosion resistant.

Often used in subways, stairwells and other public areas, these mirrors improve safety by eliminating blind spots.

Key Information:

- 500mm Diameter
- Wall & ceiling variants available.
- Ideal for use in areas where vandalism is likely. Spray paint and graffiti can be easily removed with specialist solvents.
- Stainless steel is hygienic and easy to clean, making these mirrors suitable for use in the food manufacturing industry.

SUB500-360

- Wall variant.
- 0.9mm thick.
- 61mm deep.
- 6 no 7mm countersunk holes for fixing.
- 30m viewing distance.

S500-360

- Ceiling variant.
- 1.2mm thick.
- 220mm deep.
- 6 no 7mm countersunk holes for fixing.
- 5m viewing distance.

Standard Sizes

Product	Price	SKU
500mm Dia x 61mm Deep (Wall)	POA	SUB500-360
500mm Dia (Ceiling)	POA	S500-360

Quantity Discounts Available



Delivery

These mirrors are a stock item. Mirrors in stock can be supplied in 2-3 working days. Please contact us for more information.

Carriage & Packaging	Price	Code
Standard UK Delivery*	£14.95	DEL02
*Excludes NI, Highlands & Islands		

Tel: 01952 605557 Email: enquiries@csmirrors.co.uk Website: www.csmirrors.co.uk/

All prices exclude VAT. We reserve the right to amend our prices anytime without notice. Full terms and conditions can be found on our website. Full product specifications are available upon request.

Slogan Mirrors

These safety slogan mirrors provide a useful addition to site and workplace safety.

Create your own message, whether for safety or motivation*.

Standard Message:

“Meet the person most responsible for your safety”.

Full Height Slogan Mirror

Manufactured from impact resistant acrylic.
Mirror size: 1200 x 400 x 6mm thick
Rounded corners and smooth polished edges.

Medium Slogan Mirror

Manufactured from impact resistant acrylic.
Mirror size: 450 x 300 x 3mm thick
Rounded corners and smooth polished edges.

Locker Slogan Mirror

Manufactured from impact resistant acrylic.
Mirror size: 200 x 150 x 3mm thick.
Rounded corners and smooth polished edges.

Standard Sizes

Size	Price	Code
1200 x 400 x 6mm	£82.00	SS12040
450 x 300 x 3mm	£24.00	SS4530
200 x 150 x 3mm	£6.10	SS2015



Quantity Discounts Available

**Made to Measure
Service Available**

Delivery

These mirrors are manufactured to order. Lead times will depend on quantity. Please contact us for more information.

Carriage & Packaging	Price	Code
Standard UK Delivery*	£12.95	DEL01
*Excludes NI, Highlands & Islands		

*A surcharge will be applied for custom messages. Please contact us for a quote.



Tel: 01952 605557 Email: enquiries@csmirrors.co.uk Website: www.csmirrors.co.uk/

All prices exclude VAT. We reserve the right to amend our prices anytime without notice. Full terms and conditions can be found on our website.
Full product specifications are available upon request.

Unbreakable Shelving

Made to measure polycarbonate and PVC shelving solutions.

Our Shelves are supplied with chrome plated brackets. These brackets have a 10kg load capacity per pair.

Key Information:

- Made to measure service.
- Virtually unbreakable.
- Available in either 6mm clear polycarbonate or 9mm White PVC.
- Supplied for a pair of chrome plated brackets.
- 10kg maximum load per bracket pair.

Quantity Discounts Available

**Made to Measure
Service Available**

Delivery

These mirrors are manufactured to order. Lead times will depend on quantity. Please contact us for more information.

Polycarbonate Shelving

- 6mm clear polycarbonate.
- 4mm radius corners.
- Scratch resistant coating to improve abrasion resistance.



Carriage & Packaging	Price	Code
Standard UK Delivery*	£12.95	DEL01
*Excludes NI, Highlands & Islands		

PVC Shelving

- 9mm white PVC.
- 4mm radius corners.



Standard Sizes

Material	6mm Polycarbonate		9mm PVC		
	Size	Price	SKU	Price	SKU
	200 x 150mm	£29.00	SC2015	£26.00	SP2015
	300 x 150mm	£35.00	SC3015	£28.00	SP3015
	400 x 150mm	£41.00	SC4015	£32.00	SP4015
	500 x 150mm	£47.00	SC5015	£44.00	SP5015
Made to Measure	POA		SCXXXX	POA	SPXXXX

Tel: 01952 605557 Email: enquiries@csmirrors.co.uk Website: www.csmirrors.co.uk/

All prices exclude VAT. We reserve the right to amend our prices anytime without notice. Full terms and conditions can be found on our website. Full product specifications are available upon request.

Convex Mirrors

Designed to eliminate blind spots to improve safety in a wide range of applications.

Robust, impact resistant. Provides excellent durability.

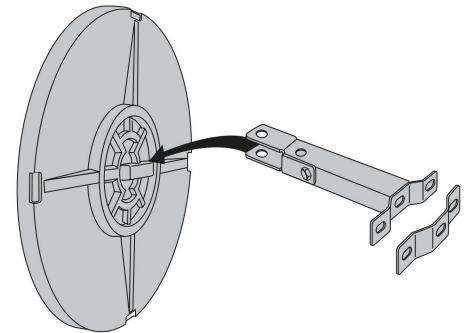
Multi-Purpose Convex Mirrors

- Suitable for indoor and outdoor use.
- Post/wall fixing fit included.
- Supplied in a black frame.
- The fixing kit allows for optimum orientation.
- Lightweight and impact resistant.
- 90 degree field of vision.



Fixing Kit

Suitable for fixing to both walls & posts.



Standard Sizes

Size	Price	Code
Ø 400	£76.00	CON400
Ø 500	£88.00	CON500
Ø 600	£106.00	CON600
Ø 800	£169.00	CON800

Delivery

These mirrors are manufactured to order. Lead times will depend on quantity. Please contact us for more information.

Traffic Mirrors

- Suitable for outdoor use.
- High visibility frame.
- Available in round and rectangular variants.
- Post/wall fixing fit included.
- Lightweight and shock resistant.
- 90 degree field of vision.



Carriage & Packaging	Price	Code
Standard UK Delivery*	£14.95	DEL02
*Excludes NI, Highlands & Islands		

Quantity Discounts Available

Standard Sizes

Size	Price	Code
600 x 400	£133.00	TRAF6040
Ø 600	£141.00	TRAF600
Ø 800	£293.00	TRAF800
Ø 900	£362.00	TRAF900

Tel: 01952 605557 Email: enquiries@csmirrors.co.uk Website: www.csmirrors.co.uk/

All prices exclude VAT. We reserve the right to amend our prices anytime without notice. Full terms and conditions can be found on our website. Full product specifications are available upon request.