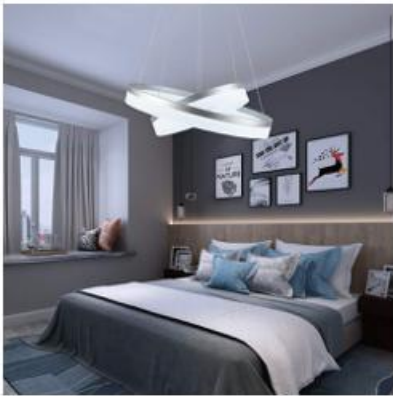


WHISTLER

LED Whistler Pendant

Snowball "WHISTLER" LED pendant light offers a different look for maximum effect, designed to be both elegant and creative while providing energy efficient high lumen output. Ranging from 1 tier to multiple tiers and sizes of 16" to 72", extruded aluminum frame with glare-free acrylic lens against yellowing and 10' long adjustable aircraft cable suspension. Available in silver, white, black, bronze and in your choice of any other color finishes. Emergency backup battery available. Fixtures color temperatures are 3000K/3500K/4000K all in 1 select by Internal CCT Color selector switch or Tunable white & dimming by Wall switch / Smart phone control / Voice control. Perfect for office, conference room and any other commercial applications.



Fixture can be manually adjusted from 1' to 10' with standard cable. Longer custom lengths available. Standard Finishes - Black, White, Silver, and Bronze. Other finishes available.



Material: Canopy Iron + Aluminium Profile + Acrylic
10' Adjustable Aircraft Cable/Power Cord Included (Custom length available)
Efficiency: Up to 85 LPW
CCT Selectable (Standard): 3000K, 3500K, 4000K
Controls: 1-10V (Standard), Color Tunable white & Dimming control by Wall Switch Phone App, voice control ZigBee 3 in 1
Emergency Battery backup available

Limited Warranty: 5 Years
Ships Assembled
UL, cUL, FCC
Power factor: 0.95
Input Voltage: 100-277V universal
Beam Angle: 120°
Operating temperature: -40°F to 122°F



Model Information:

Example: SB-D02A50WSB

Products series	Wattage	Options	Profile Finishes
SB-D02A	50W = 24"+16"	S=Color Selectable 3000K/3500K/4000K CRI 90 4000K factory set color 1-10V dim (Standard)	B=Black Jack (Stock Color)
SB-D02B	90W = 40"+32"		S=Platinum Silver (Stock Color)
SB-D02C	110W = 48"+40"	T=3000K-4000K Color Tunable & Dimmable by wall switch including phone App and voice control	W=Gloss White (Stock Color)
SB-D02R	150W = 72"+60"	L=Line Triac dimming	O=Oil Bronze (Stock Color)
			RAL number for other Color

3000K-4000K Tunable white & Dimming control by DimTone wall Switch, Phone App and voice control are built in

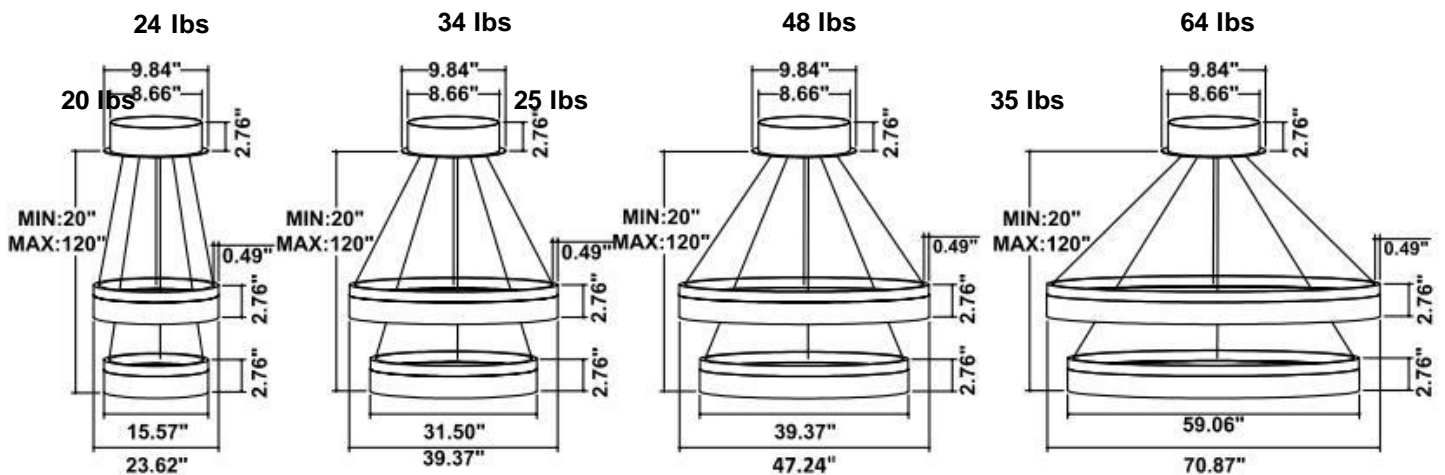


Accessory

ACCESSORY ITEMS	MODEL NUMBER	DESCRIPTION
	SB-TONE-WSX	Tunable white & dimming DimTone Wall switch by moving 2 sliders on wall switch also available control by phone App and voice, 1 Wall Switch controls Max 700W light fixtures, 120V with no battery required
	SB-EBP/5W/B	Factory installed Remote Emergency Battery Pack 5W 90 minutes
	SB-EBP/10.7W/B	Factory installed Remote Emergency Battery Pack 10.7W 90 minutes
	SB-EBP/17W/B	Factory installed Remote Emergency Battery Pack 17W 90 minutes

Dimension & Weight:

15.57" = 16" / 23.62" = 24" / 31.5" = 32" / 39.37" = 40" / 47.24" = 48" / 59.06" = 60" / 70.87" = 72"



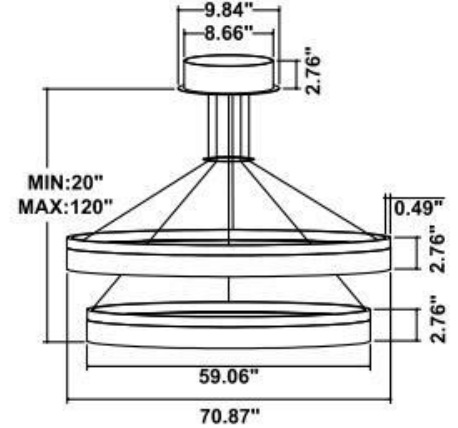
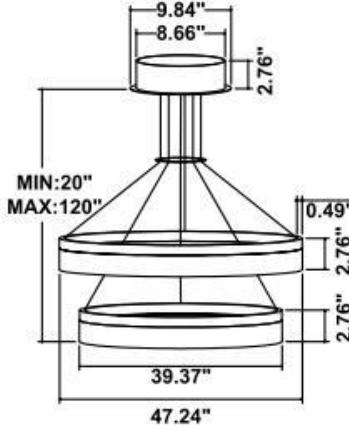
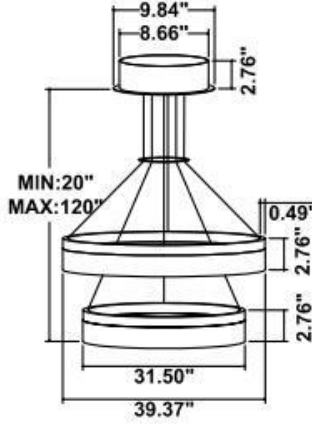
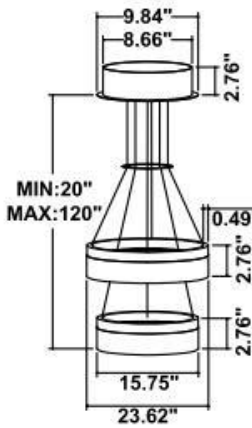


24 lbs

34 lbs

48 lbs

64 lbs

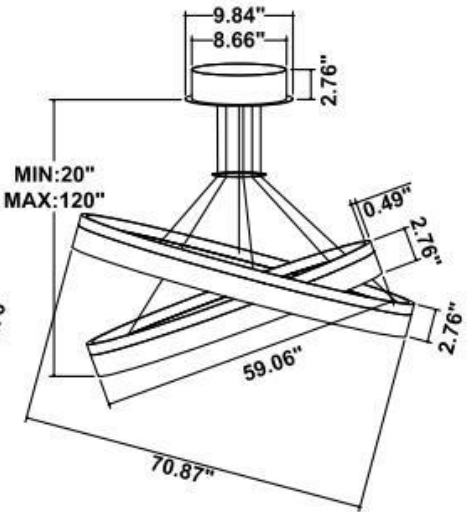
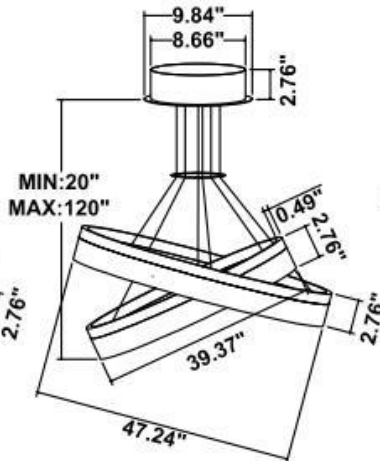
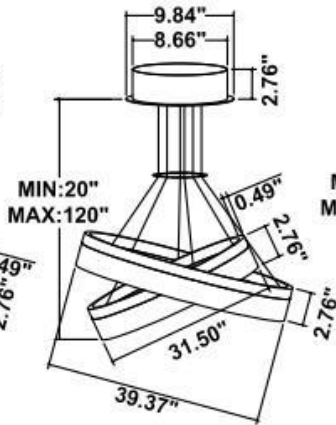
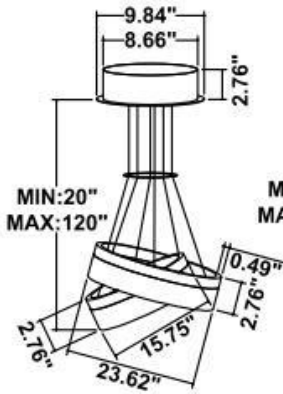


24 lbs

34 lbs

48 lbs

64 lbs



24 lbs

34 lbs

48 lbs

64 lbs

