

DESCRIPTION

Black “Nimbus Linear” suspension lights are ideal for long narrow spaces, this pendant support individual acrylic crystals which creates lighting a dramatic lighting effect with 360-degree lighting. Its timeless yet contemporary design gives it character and perfectly illuminates spaces of high architectural value. The black diamond LED Linear Chandelier features aluminum channels anodized in your choice of platinum silver, matt Black, oil bonze and in your choice of any other color finishes. Emergency backup battery available perfect for office, conference room and any other commercial applications.

Fixtures color temperature are 3000K/3500K/4000K all in 1 select by Internal CCT Color selector switch before completing install the fixture. Tunable white & Dimming available control after installed the fixture, control by DimTone Wall switch by moving 2 sliders on wall switch also available control by phone App and voice, 1 Wall Switch controls Max 700W light fixtures.



AVAILABLE HOUSING FINISHES



Silver



Black



White



Bronze

Call for other finishes color



3000K/3500K/4000K Color Selector Switch 0-10V dimming (Standard)

3000K-4000K Tunable white & Dimming control by DimTone wall Switch, Phone App and voice control are built in



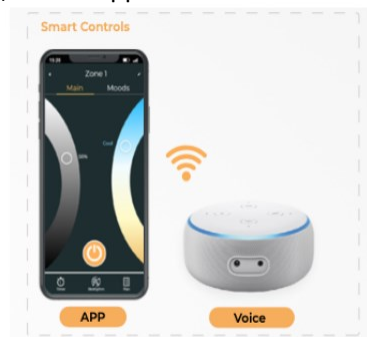
Tunable White



Dimmable
100%-0%



RF CONTROL

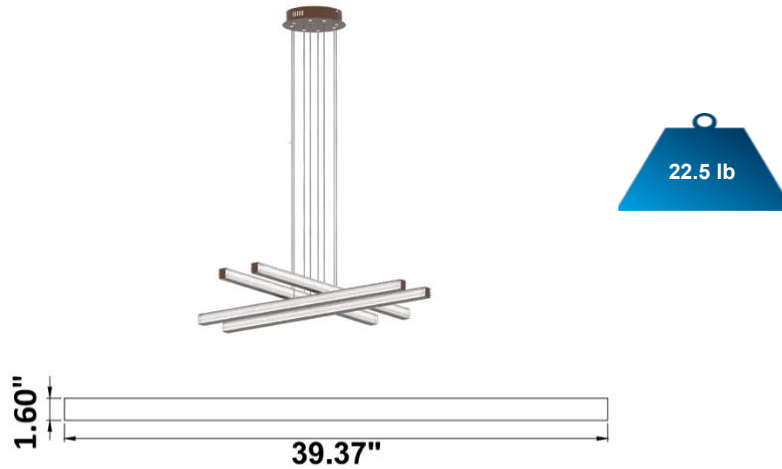


OVERVIEW:

- Material: Canopy Iron + Aluminium Profile + Acrylic
- 10' Adjustable Aircraft Cable/Power Cord Included (Custom length available)
- Efficiency: Up to 85 LPW Delivered Lumen
- CCT Selectable (Standard): 3000K, 3500K, 4000K all in 1
- Controls: 0-10V (Standard) or Color Tunable white & Dimming control by Wall Switch Phone App, voice control 3 in 1

- Limited Warranty: 5 Years
- Ships Assembled
- UL, cUL, FCC
- Power factor: 0.95
- Input Voltage: 100-277V universal
- Beam Angle: 120°
- Operating temperature: -40°F to 122°F

DIMENSION & WEIGHT:



*** Model Information:**

Example: SB-B04-80WSB

Products series	Wattage	Options	Profile Finishes
*SB-B04	*80W=80W	*S=Color Selectable 3K/35K/4K 0-10V Dim (Standard) 4K factory color set	*B=Black Jack (Stock Color)
		T=3K-4K Color Tunable 3-4K by wall switch including phone App and voice control	S=Platinum Silver (Stock Color)
			W=Gloss White (Stock Color)
			O=Oil Bronze (Stock Color)
			RAL number for other Color

Accessory

ACCESSORY ITEMS	MODEL NUMBER	DESCRIPTION
<p>SCAN TO DOWNLOAD THE APP</p>	SB-TONE-WSX	Tunable white & dimming DimTone Wall switch by moving 2 sliders on wall switch also available control by phone App and voice, 1 Wall Switch controls Max 700W light fixtures, 120V with no battery required
	SB-EBP/5W/B	Factory installed Remote Emergency Battery Pack 5W 90 minutes
	SB-EBP/10.7W/B	Factory installed Remote Emergency Battery Pack 10.7W 90 minutes
	SB-EBP/17W/B	Factory installed Remote Emergency Battery Pack 17W 90 minutes

!