

DAVOS

LED Davos Pendant

Snowball "DAVOS" color selectable LED Luminaries is result of a combination of design and architecture to create lights for inside lighting or outside lighting. Sizes ranging from 32" to 72", extruded aluminum frame with glare-free diffuser lens and 10' long adjustable aircraft cable suspension. Its timeless yet contemporary design gives it character and perfectly illuminates spaces of high architectural value. Available in silver, white, black, bronze and in your choice of any other color finishes. Emergency backup battery available. Fixtures color temperatures are 3000K/3500K/4000K all in 1 select by Internal CCT Color selector switch or Tunable white & dimming by Wall switch / Smart phone control / Voice control. Perfect for office, conference room and any other commercial applications.

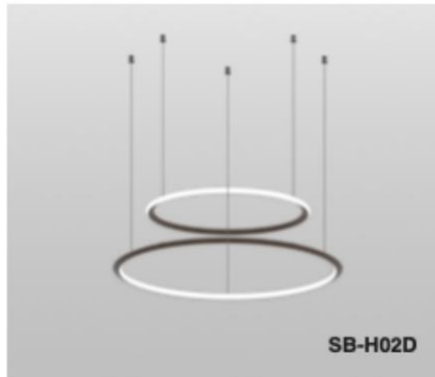


Fixture can be manually adjusted from 1' to 10' with standard cable. Longer custom lengths available. Standard Finishes - Black, White, Silver, and Bronze. Other finishes available.



Material: Canopy Iron + Aluminium Profile + Acrylic
10' Adjustable Aircraft Cable/Power Cord Included (Custom length available)
Efficiency: Up to 85 LPW
CCT Selectable (Standard): 3000K, 3500K, 4000K
Controls: 1-10V (Standard), Color Tunable white & Dimming control by Wall Switch Phone App, voice control ZigBee 3 in 1
Emergency Battery back up available

Limited Warranty: 5 Years
Ships Assembled
UL, cUL, FCC
Power factor: ≥ 0.95
Input Voltage: 100-277V universal
Beam Angle: 120°
Operating temperature: -40°F to 122°F



Model Information:

Example: SB-H02A90WSB

Products series	Wattage	Options	Profile Finishes
SB-H02A	90W = 32"+40"	S=Color Selectable 3000K/3500K/4000K CRI 90 4000K factory set color 1-10V dim (Standard) T=3000K-4000K Color Tunable & Dimmable by wall switch including phone App and voice control L=Line Triac dimming	B=Black Jack (Stock Color)
SB-H02B			S=Platinum Silver (Stock Color)
SB-H02C	110W = 40"+48"		W=Gloss White (Stock Color)
SB-H02D			O=Oil Bronze (Stock Color)
SB-H02E	150W = 60"+72"		RAL number for other Color

3000K-4000K Tunable white & Dimming control by DimTone wall Switch, Phone App and voice control are built in

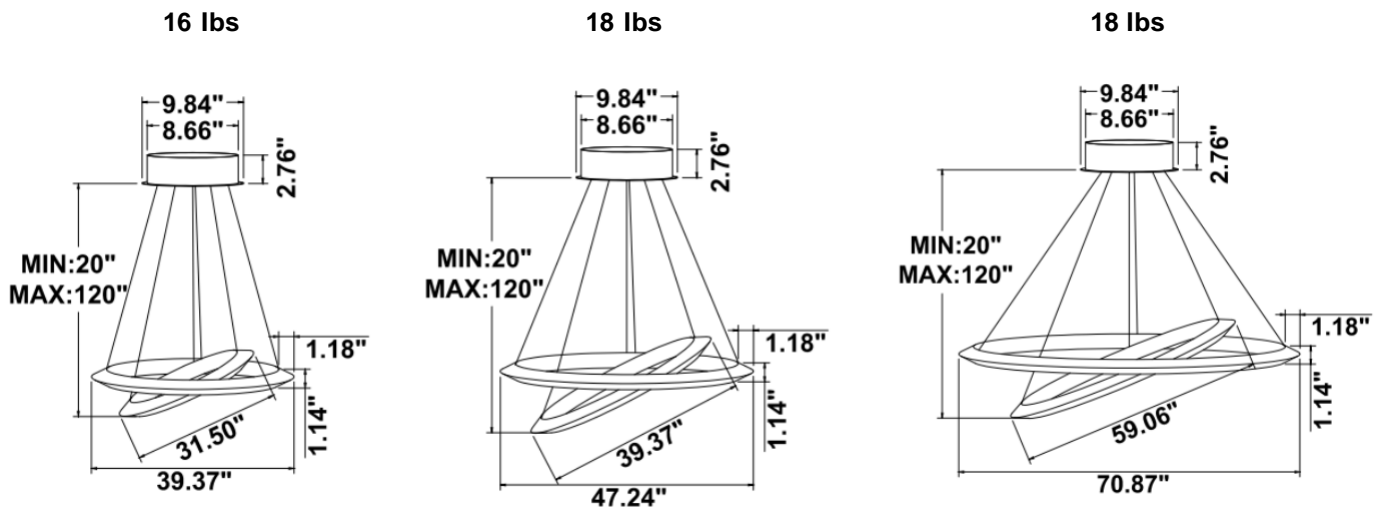


Accessory

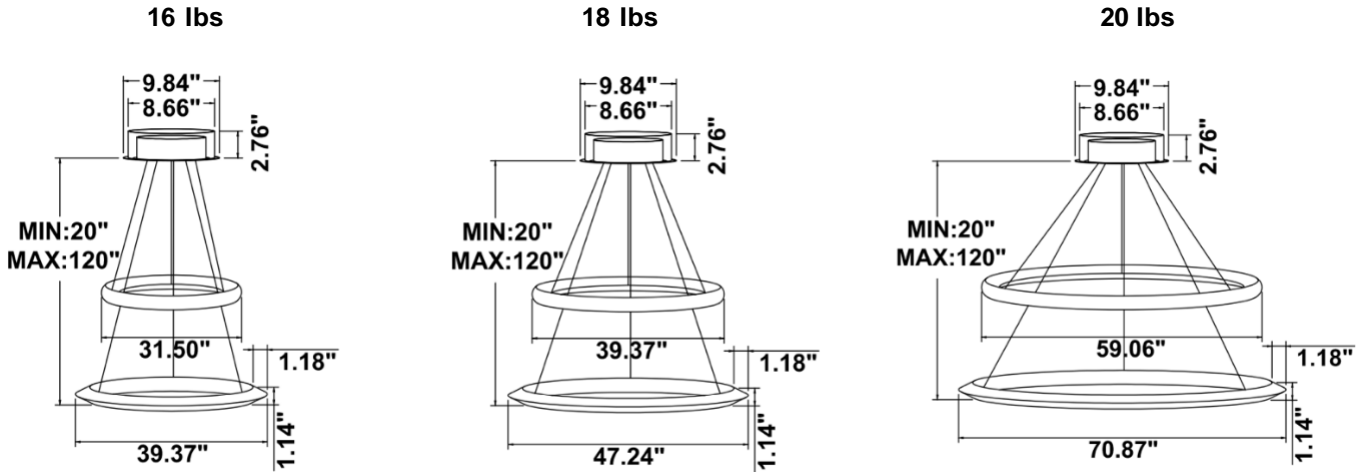
ACCESSORY ITEMS	MODEL NUMBER	DESCRIPTION
	SB-TONE-WSX	Tunable white & dimming DimTone Wall switch by moving 2 sliders on wall switch also available control by phone App and voice, 1 Wall Switch controls Max 700W light fixtures, 120V with no battery required
	SB-EBP/5W/B	Factory installed Remote Emergency Battery Pack 5W 90 minutes
	SB-EBP/10.7W/B	Factory installed Remote Emergency Battery Pack 10.7W 90 minutes
	SB-EBP/17W/B	Factory installed Remote Emergency Battery Pack 17W 90 minutes

Dimension & Weight: 31.5" = 32" / 39.37" = 40" / 47.24" = 48" / 59.06" = 60" / 70.87" = 72"

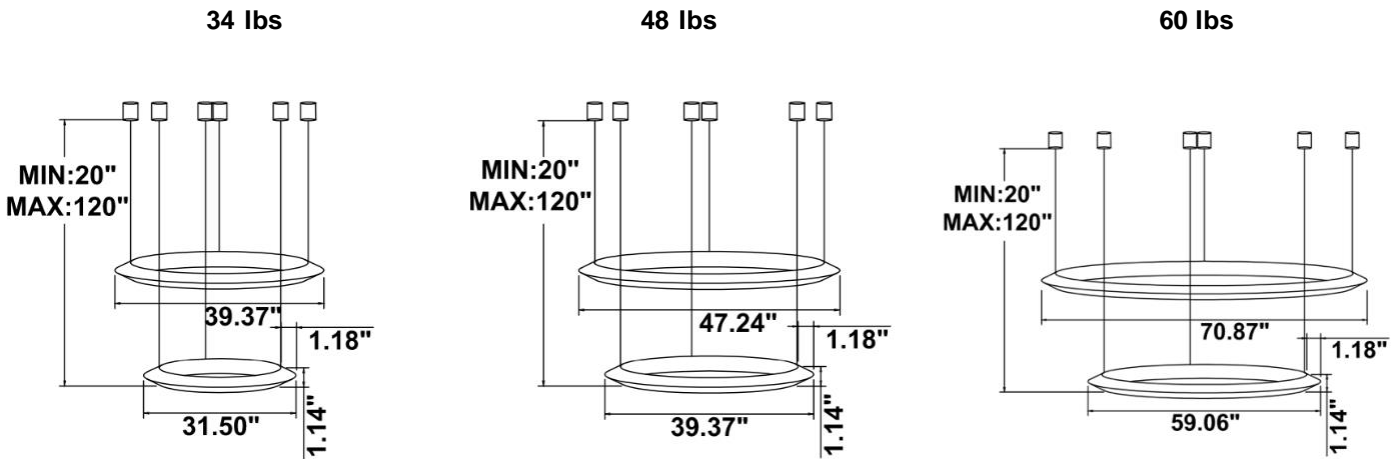
SB-H02A: Light inside with canopy



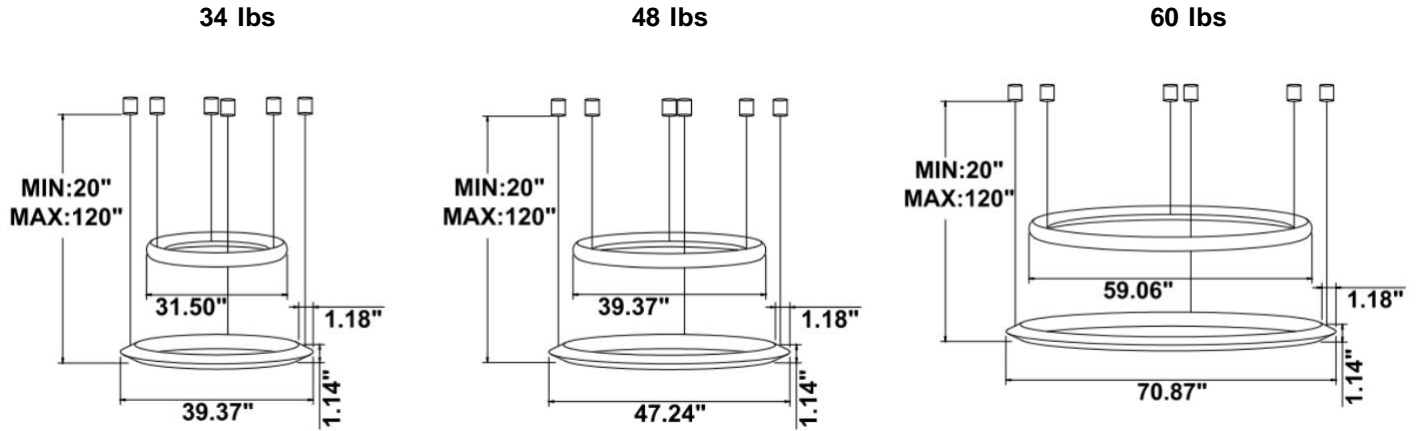
SB-H02B: With canopy, top ring with light outside, bottom ring with light inside



SB-H02C: Remote mount light inside



SB-H01D: Remote mount, top ring with light outside, bottom ring with light inside



SB-H02E: With Canopy, top ring with light inside, bottom ring with light outside

