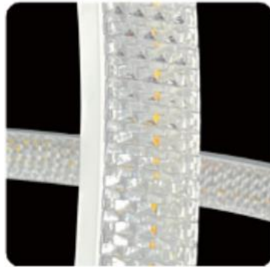


BLACKDIAMOND PENDANT

LED Black Diamond Pendant

Snowball "BLACK DIAMOND" This pendant supports individual acrylic crystals which creates a dramatic lighting effect. Its timeless yet contemporary design gives it character and perfectly illuminates spaces of high architectural value. Ranging from 1 tier to multiple tiers and sizes ranging from 16" to 72", extruded aluminum frame with acrylic crystals and 10' long adjustable aircraft cable suspension. Available in silver, white, black, bronze and in your choice of any other color finishes. Emergency backup battery available. Fixtures color temperatures are 3000K/3500K/4000K all in 1 select by Internal CCT Color selector switch or Tunable white & dimming by Wall switch / Smart phone control / Voice control. Perfect for office, conference room and any other commercial applications. Perfect for office, conference room and any other commercial applications.



Fixture can be manually adjusted from 1' to 10' with standard cable. Longer custom lengths available. Standard Finishes - Black, White, Silver, and Bronze. Other finishes available.



Material: Canopy Iron + Aluminium Profile + Acrylic
 10' Adjustable Aircraft Cable/Power Cord Included (Custom length available)
 Efficiency: Up to 85 LPW
 CCT Selectable (Standard): 3000K, 3500K, 4000K
 Controls: 1-10V (Standard), Color Tunable white & Dimming control by Wall Switch Phone
 App, voice control ZigBee 3 in 1
 Emergency Battery back up available

Limited Warranty: 5 Years
 Ships Assembled
 UL, cUL, FCC
 Power factor: ≥ 0.95
 Input Voltage: 100-277V universal
 Beam Angle: 120°
 Operating temperature: -40°F to 122°F



SB-A02A



SB-A02B



SB-A02C



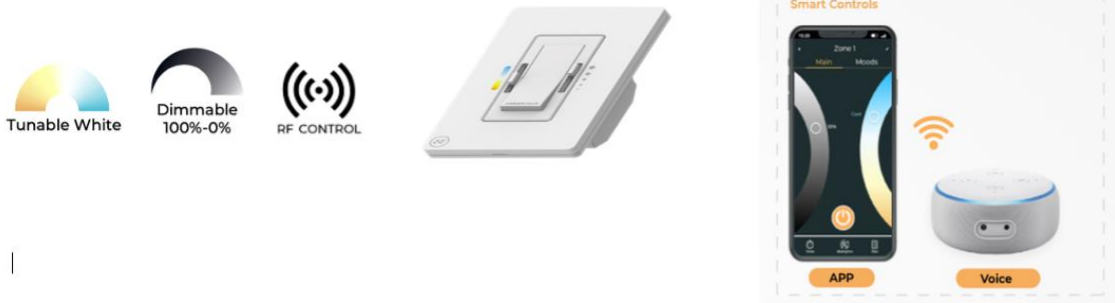
SB-A02D

Model Information:

Example: SB-A02A90WSB

Products series	Wattage	Options	Profile Finishes
SB-A02A	90W = 32"+40"	S=Color Selectable 3000K/3500K/4000K CRI 90 4000K factory set color 1-10V dim (Standard) T=3000K-4000K Color Tunable & Dimmable by wall switch including phone App and voice control L=Line Triac dimming	B=Black Jack (Stock Color)
SB-A02B			S=Platinum Silver (Stock Color)
SB-A02C	110W = 40"+48"		W=Gloss White (Stock Color)
SB-A02D	150W = 60"+72"		O=Oil Bronze (Stock Color)
			RAL number for other Color

3000K-4000K Tunable white & Dimming control by DimTone wall Switch, Phone App and voice control are built in



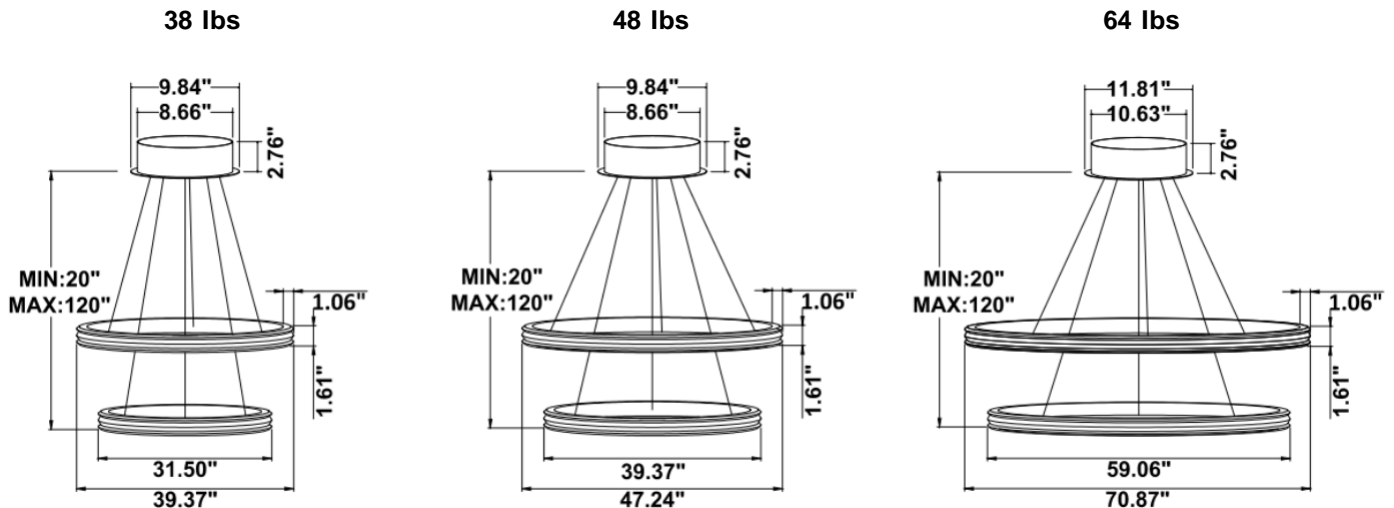
Accessory

ACCESSORY ITEMS	MODEL NUMBER	DESCRIPTION
	SB-TONE-WSX	Tunable white & dimming DimTone Wall switch by moving 2 sliders on wall switch also available control by phone App and voice, 1 Wall Switch controls Max 700W light fixtures, 120V with no battery required
	SB-EBP/5W/B	Factory installed Remote Emergency Battery Pack 5W 90 minutes
	SB-EBP/10.7W/B	Factory installed Remote Emergency Battery Pack 10.7W 90 minutes
	SB-EBP/17W/B	Factory installed Remote Emergency Battery Pack 17W 90 minutes

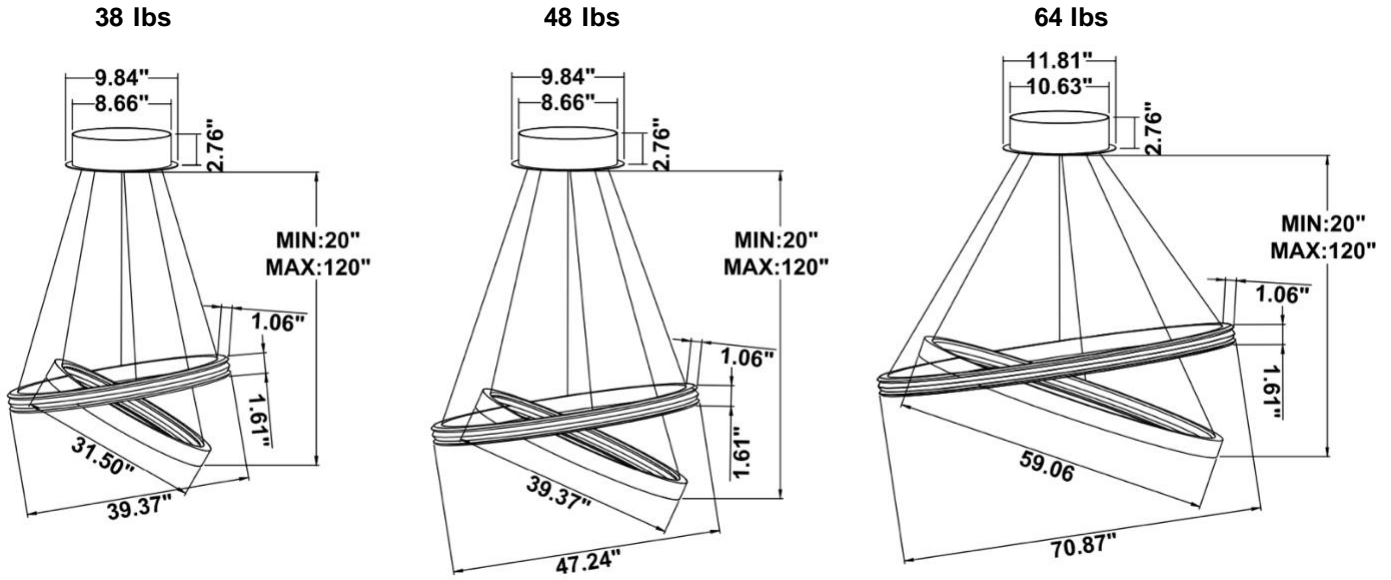
Dimension & Weight:

15.57" = 16" / 23.62" = 24" / 31.5" = 32" / 39.37" = 40" / 47.24" = 48" / 59.06" = 60" / 70.87" = 72"

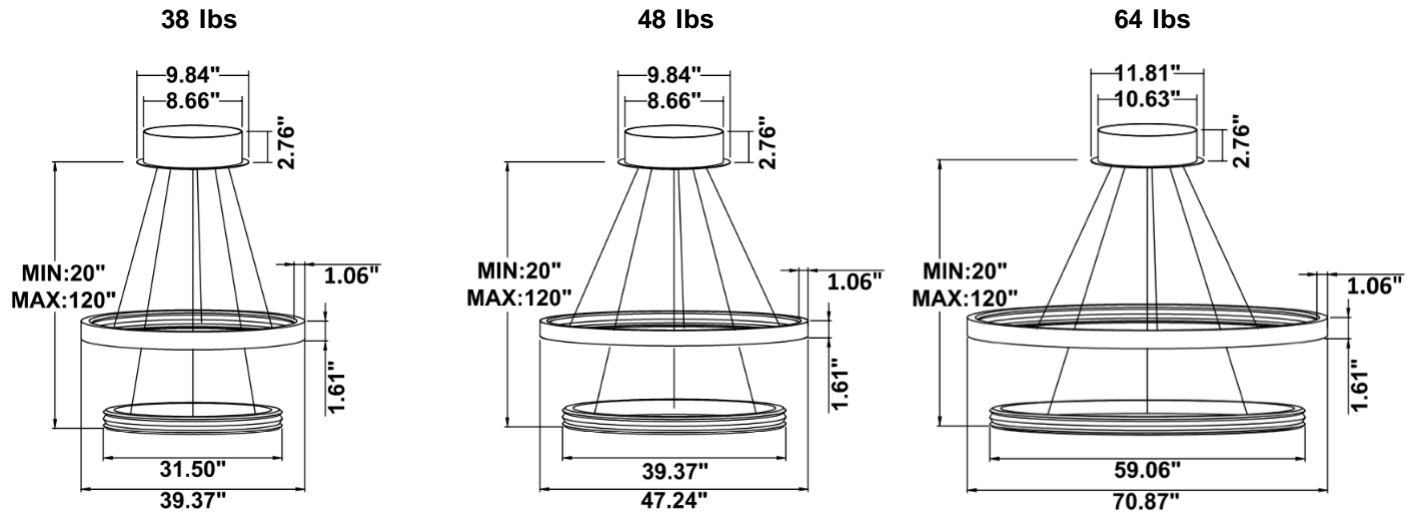
SB-A02A: With canopy light inside



SB-A02B: With canopy small size ring light inside, big size ring light outside



SB-A02C: With canopy big size ring light inside, small size ring light outside



SB-A02D: With canopy and remote mount, light inside

