

Installation Guide and Support Manual

PHOENIX

Phase Converters

GP60NL





GENERAL SPECIFICATIONS	
HP 5	60
KW	44.7
KVA	52.05
HZ	50/60
ENCL	TEFC/NEMA 4
FRAME	364T
IDLER WEIGHT	782
PANEL WEIGHT	78

CONSTRUCTION, DIMENSIONS, WEIGHT	
ELECTRICAL PANEL	
ENCLOSURE TYPE	NEMA 4
ENCLOSURE CERTIFICATIONS	UL 508A (CSA C22.2 No. 14-13.), TUV, CE.
COLOR	Light Gray
HEIGHT	24
WIDTH	24
DEPT	8
MOUNTING	WALL

SINGLE PHASE ELECTRICAL SPECS	
VOLTAGE INPUT	208-250V
MOTOR LOAD BREAKER Minimum Size	120
MOTOR LOAD BREAKER Maximum Size	300
SERVICE KVA Minimum Size	75
SERVICE AMPS Minimum Size	312
COPPER WIRE Minimum Size	1

THREE PHASE ELECTRICAL SPECS	
VOLTAGE OUTPUT	208-230 Volts Delta
MAX OUTPUT INDUCTIVE LOAD AMPS	160
MAX OUTPUT RESISTIVE LOAD AMPS	84
VOLTAGE BALANCING	+/- 2%
WIRE SIZE MIN Idler/Generator	1/0
LARGEST SPINDLE MOTOR START	30
LARGEST COMPRESSOR LOAD START	24
TOTAL COMBINED HORSEPOWER RUN	60

Optional Feature

- 208, 460 Volt Output (includes transformer)
- AutoStart and AutoOff with load detection
- PL Model (includes Start and Stop with Built-in Mag Starter)
- GPX Model (includes WFI Cloud Controls, Timers, Energy Monitor)
- Wireless Remote ON/OFF

PHOENIX PHASE CONVERTERS

800-417-6568

CAUTION

READ INSTRUCTIONS BEFORE OPERATING

READ FIRST - BEFORE INSTALLATION

- **Most important step to know.**
- NEVER Start the phase converter with a load, this includes transformers.
- Make sure you have the incoming service to start the phase converter, call your electric company verify the KVA size of the transformer, that KVA number should be larger then the HP of the idler motor.
- **DO NOT use WIRE NUTS for any connection, use the bolt down lugs. Check all make sure all connections even factory connections to the power block are secure, also recheck connections after a few week of using the converter.**
- **When powering up the unit, if the idler does NOT come up to FULL SPEED, then shut the phase converter down right away. If you don't understand then call us or a qualified electrician. if you do not turn the unit off you have a chance to damage the idler motor that will not be covered under warranty.**
- Must be installed by a license industrial electrician, our guidelines are not to supersede local and state laws.

Power requirements

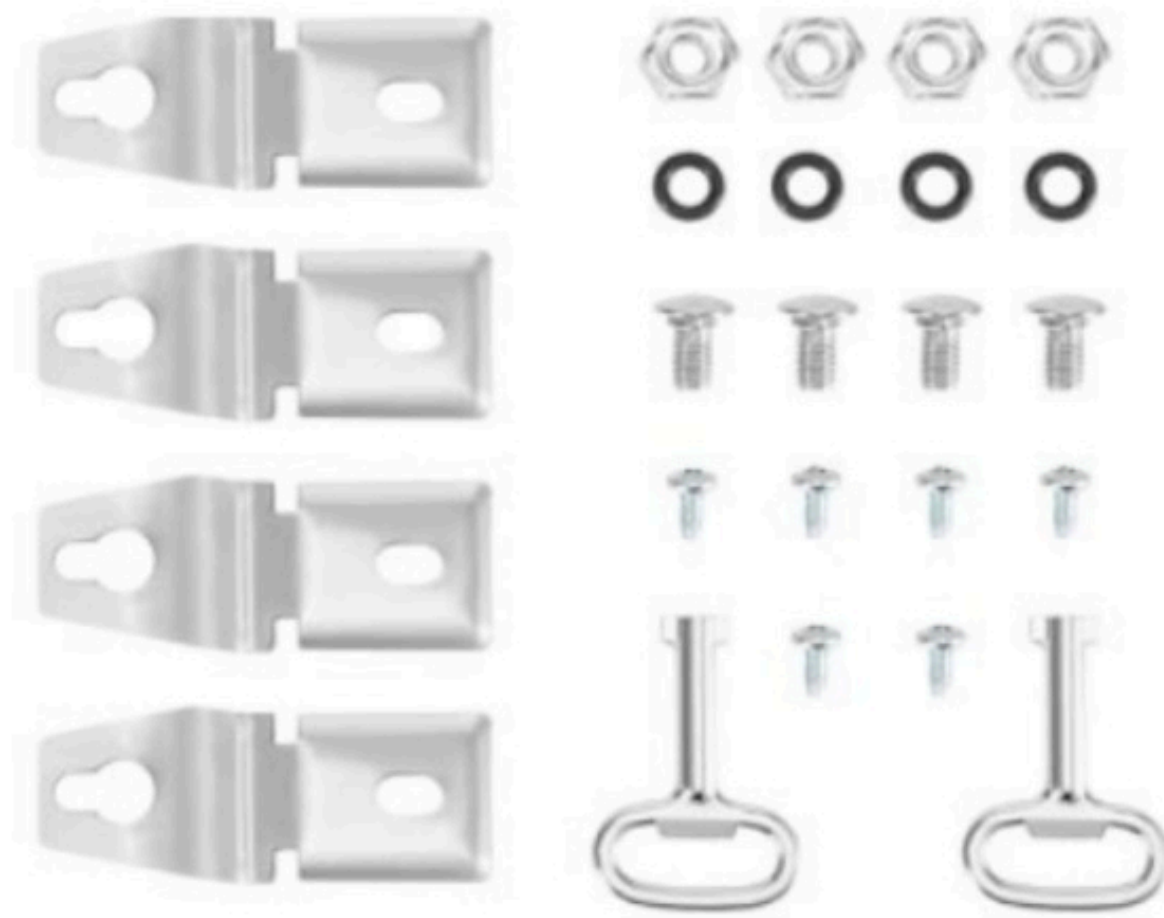
- You will need to use a **motor load** type breaker. NOT a quick blow or trip breaker.
- Sizing a breaker for a single machine with an inductive load (motors) double the amps size of the machine. Example if the equipment pulls 20 amps use a 40 amp breaker.
- Sizing the equipment for multiple machine double the amp of the largest machine and add the the other machine that will run at the same time. Example; 20 AMP Lathe. 9 amp saw, 6 amp milling machine. $20 \times 2 = 40 + 9 + 6 = 45$ amps, use the next standard size breaker which would be 50 Amps two pole breaker.
- Use the chart to make sure you don't go over or under the Minimum and maximum size allowed. For rural areas increase the minimum size breaker by 20% Click on the next picture to see this chart.

GP60

WIRE AND BREAKER SIZES	
SINGLE PHASE	3/0 AWG Copper under 50 feet
IDLER MOTOR	1 AWG COPPER
BREAKER/FUSE	100 MIN / 300 MAX

Mounting the Phase Converter Panel

Mount the enclosure first, to a non-vibrating surface, there are two options provided for mounting, next install the back plate with the four nuts provided. Mounting the phase converter panel near the breaker panel is recommended the larger wire is you single phase line, that is best to keep as short as possible. Every 50 feet you will need to increase the size of the single phase wire.



Additional mounting brackets and hardware are inside the enclosure.



Indoor or outdoor enclosure

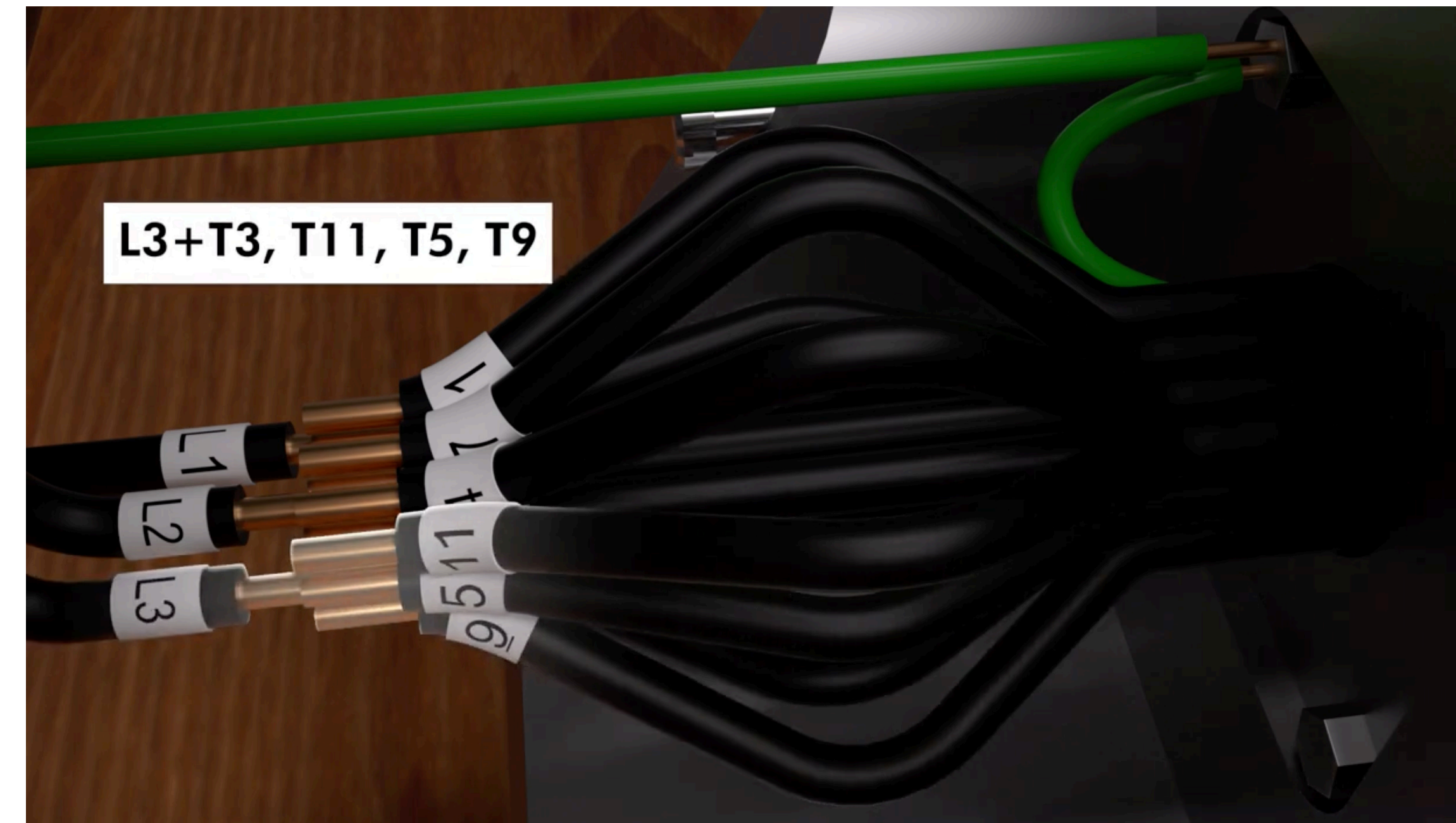


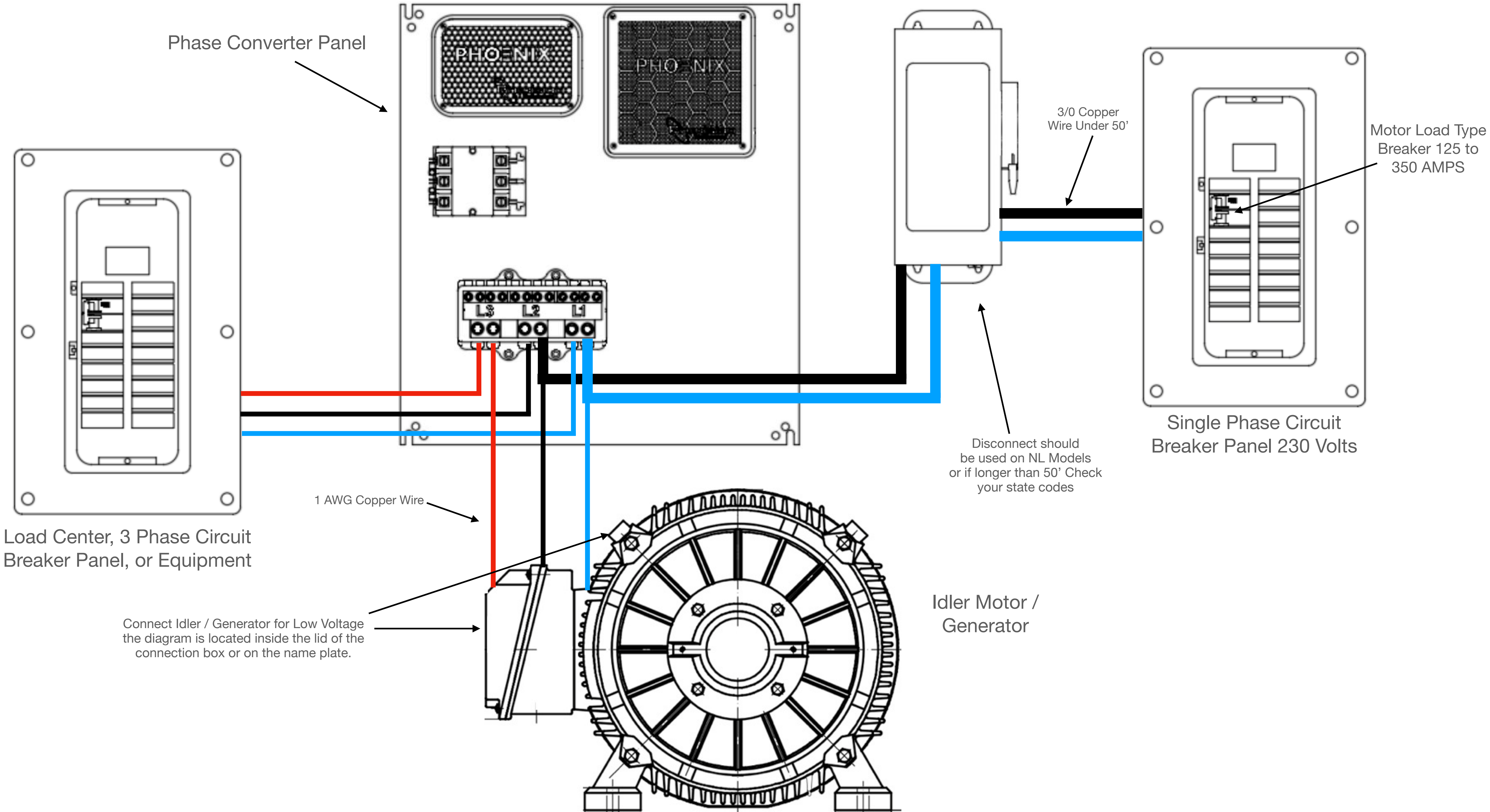
CONNECTING THE IDLER MOTOR WIRES

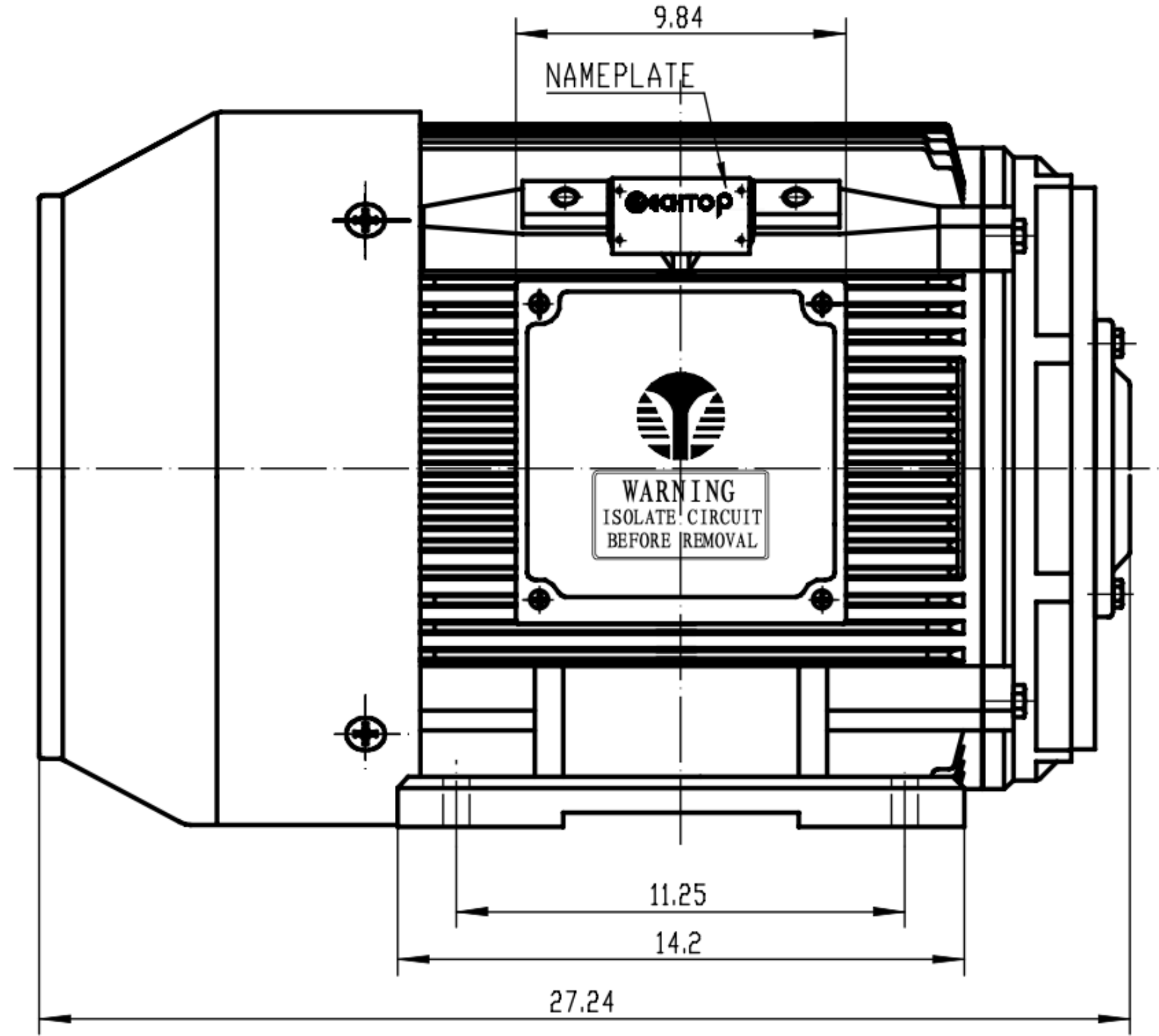
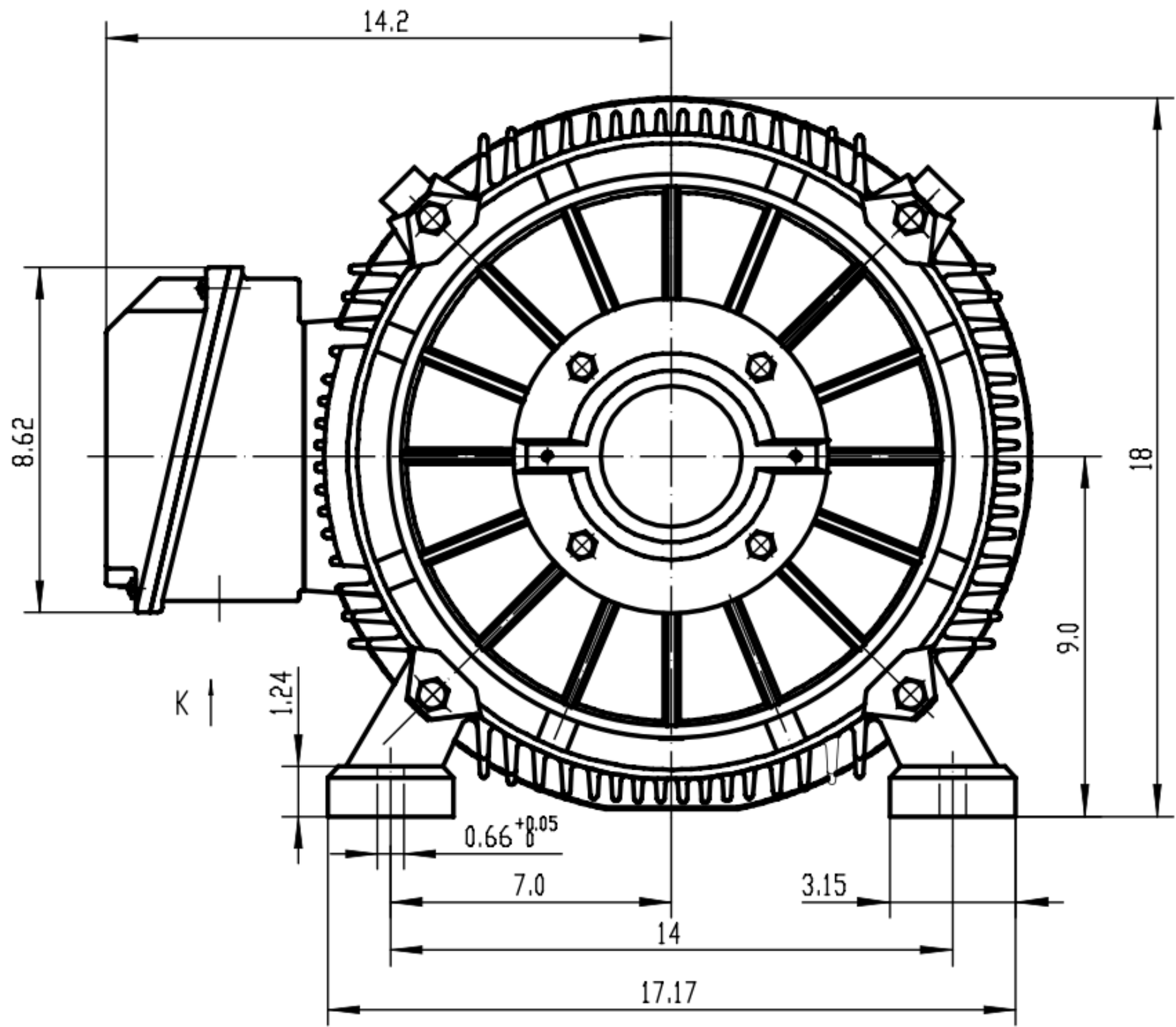
THIS IS JUST A ILLUSTRATION OF WHAT WIRES GET CONNECTED TOGETHER, **DO NOT USE WIRE NUTS**, USE BOLT DOWN LUGS

IF YOU HAVE 9 LEADS AT THE MOTOR CLICK HERE

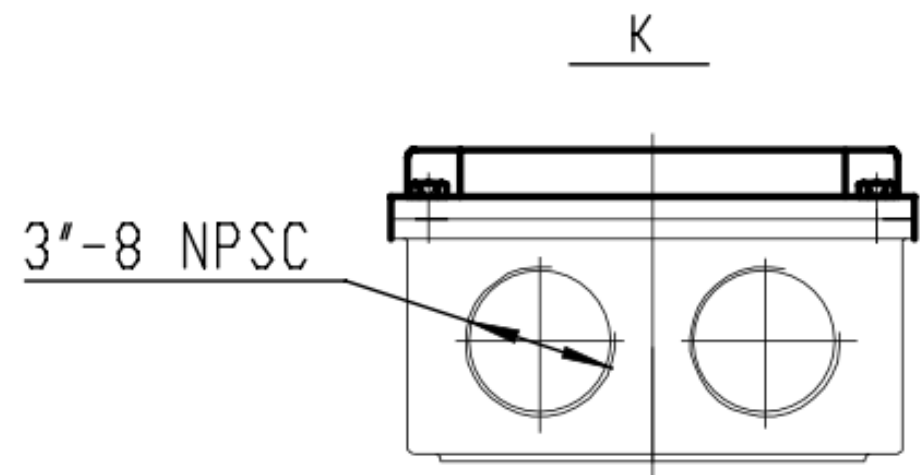
IF YOU HAVE 12 LEADS AT THE MOTOR CLICK HERE

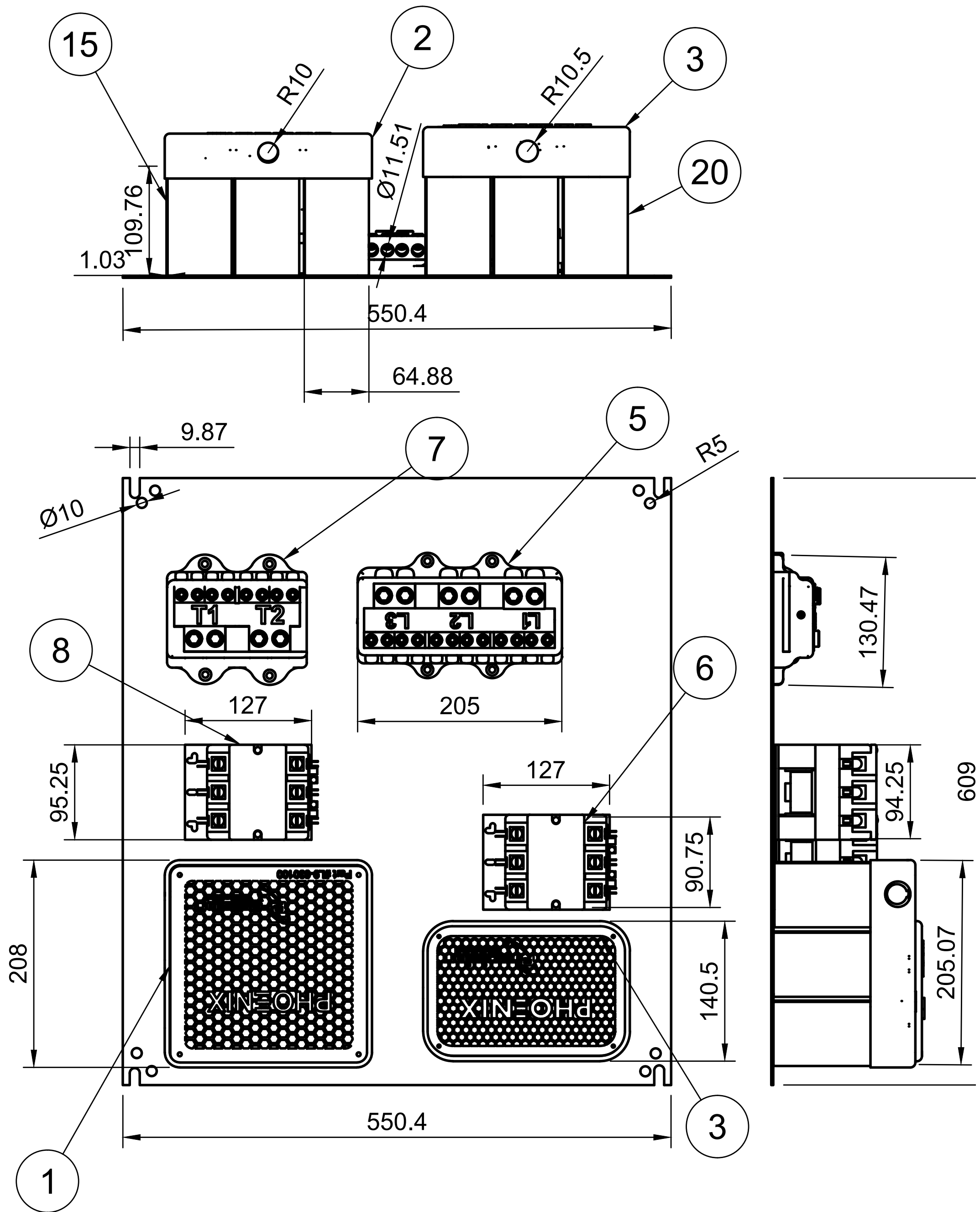






Weight: 60 HP = 782.75 lbs





60 HP Rotary Phase Converter Components

Item Number	Description (Click on the description to visit the link to that item)	Quantity in Model	Price	SKU# (Click on 3D viewing)
9	Relay	1	47.00	GP90-66
	Complete Run Bank Assembly - Prewired	1	490.00	*
27	3 Pole Contactor 75 amp - 230V	2	182.90	C375C
4	9 Bank Start and Run Capacitor Holder Only with Base	1	239.00	CB409HO
2	3 Phase Power Block	1	395.00	GPB603
10	Single Phase Power Block	1	295.00	*
3	630 MFD 220V Start Capacitor	3	24.14	PTMJ630
5	100 MFD 370V Run Capacitor	1	26.00	TRC100
1	Complete Capacitor Start Bank Assembly - Prewired	1	490.00	CB30230
*	Complete Back Plate Assembly - Prewired NL Model. (Without Start and Stop Button)	1	3250.00	CBA60PL
*	Complete Panel with NEMA 4 Enclosure - Prewired NL Model (without Start and Stop	1	3634.00	GP60PLPO
*	Idler Motor	1	3875.00	*
*	Complete Unit Phase Converter Panel (PL Model) and Idler/Generator Motor	1	7228.00	GP60NL

