

Installation Guide and Support Manual

PHOENIX

Phase Converters

GP100PPL





GENERAL SPECIFICATIONS	
HP 5	100
KW	75
KVA	87.21
HZ	50/60
ENCL	TEFC/NEMA 4
FRAME	405T
IDLER WEIGHT	1120
PANEL WEIGHT	89

CONSTRUCTION, DIMENSIONS, WEIGHT	
ELECTRICAL PANEL	
ENCLOSURE TYPE	NEMA 4
ENCLOSURE CERTIFICATIONS	UL 508A (CSA C22.2 No. 14-13.), TUV, CE.
COLOR	Light Gray
HEIGHT	26
WIDTH	26
DEPT	10
MOUNTING	WALL MOUNT

SINGLE PHASE ELECTRICAL SPECS	
VOLTAGE INPUT	208-250V
MOTOR LOAD BREAKER Minimum Size	150
MOTOR LOAD BREAKER Maximum Size	400
SERVICE KVA Minimum Size	167
SERVICE AMPS Minimum Size	695
COPPER WIRE Minimum Size	300mcm

THREE PHASE ELECTRICAL SPECS	
VOLTAGE OUTPUT	208-230 Volts Delta
MAX OUTPUT INDUCTIVE LOAD AMPS	227
MAX OUTPUT RESISTIVE LOAD AMPS	135
VOLTAGE BALANCING	+/- 2%
WIRE SIZE MIN Idler/Generator	2/0
LARGEST SPINDLE MOTOR START	50
LARGEST COMPRESSOR LOAD START	40
TOTAL COMBINED HORSEPOWER RUN	100

Optional Feature

- 208, 460 Volt Output (includes transformer)
- AutoStart and AutoOff with load detection
- PL Model (includes Start and Stop with Built-in Mag Starter)
- GPX Model (includes WFI Cloud Controls, Timers, Energy Monitor)
- Wireless Remote ON/OFF

PHOENIX PHASE CONVERTERS

800-417-6568

CAUTION

READ INSTRUCTIONS BEFORE OPERATING

READ FIRST - BEFORE INSTALLATION

- **Most important step to know.**
- NEVER Start the phase converter with a load, this includes transformers.
- Make sure you have the incoming service to start the phase converter, call your electric company verify the KVA size of the transformer, that KVA number should be larger then the HP of the idler motor.
- **DO NOT use WIRE NUTS for any connection, use the bolt down lugs. Check all make sure all connections even factory connections to the power block are secure, also recheck connections after a few week of using the converter.**
- **When powering up the unit, if the idler does NOT come up to FULL SPEED, then shut the phase converter down right away. If you don't understand then call us or a qualified electrician. if you do not turn the unit off you have a chance to damage the idler motor that will not be covered under warranty.**
- Must be installed by a license industrial electrician, our guidelines are not to supersede local and state laws.

Power requirements

- You will need to use a **motor load** type breaker. NOT a quick blow or trip breaker.
- Sizing a breaker for a single machine with an inductive load (motors) double the amps size of the machine. Example if the equipment pulls 20 amps use a 40 amp breaker.
- Sizing the equipment for multiple machine double the amp of the largest machine and add the the other machine that will run at the same time. Example; 20 AMP Lathe. 9 amp saw, 6 amp milling machine. $20 \times 2 = 40 + 9 + 6 = 45$ amps, use the next standard size breaker which would be 50 Amps two pole breaker.
- Use the chart to make sure you don't go over or under the Minimum and maximum size allowed. For rural areas increase the minimum size breaker by 20% Click on the next picture to see this chart.

GP100

WIRE AND BREAKER SIZES

SINGLE PHASE	300 MCM Copper under 50 feet
IDLER MOTOR	2/0 AWG COPPER
BREAKER/FUSE	150 MIN / 400 MAX

Mounting the Phase Converter Panel

Mount the enclosure first, to a non-vibrating surface, there are two options provided for mounting, next install the back plate with the four nuts provided. Mounting the phase converter panel near the breaker panel is recommended the larger wire is you single phase line, that is best to keep as short as possible. Every 50 feet you will need to increase the size of the single phase wire.



Additional mounting brackets and hardware are inside the enclosure.

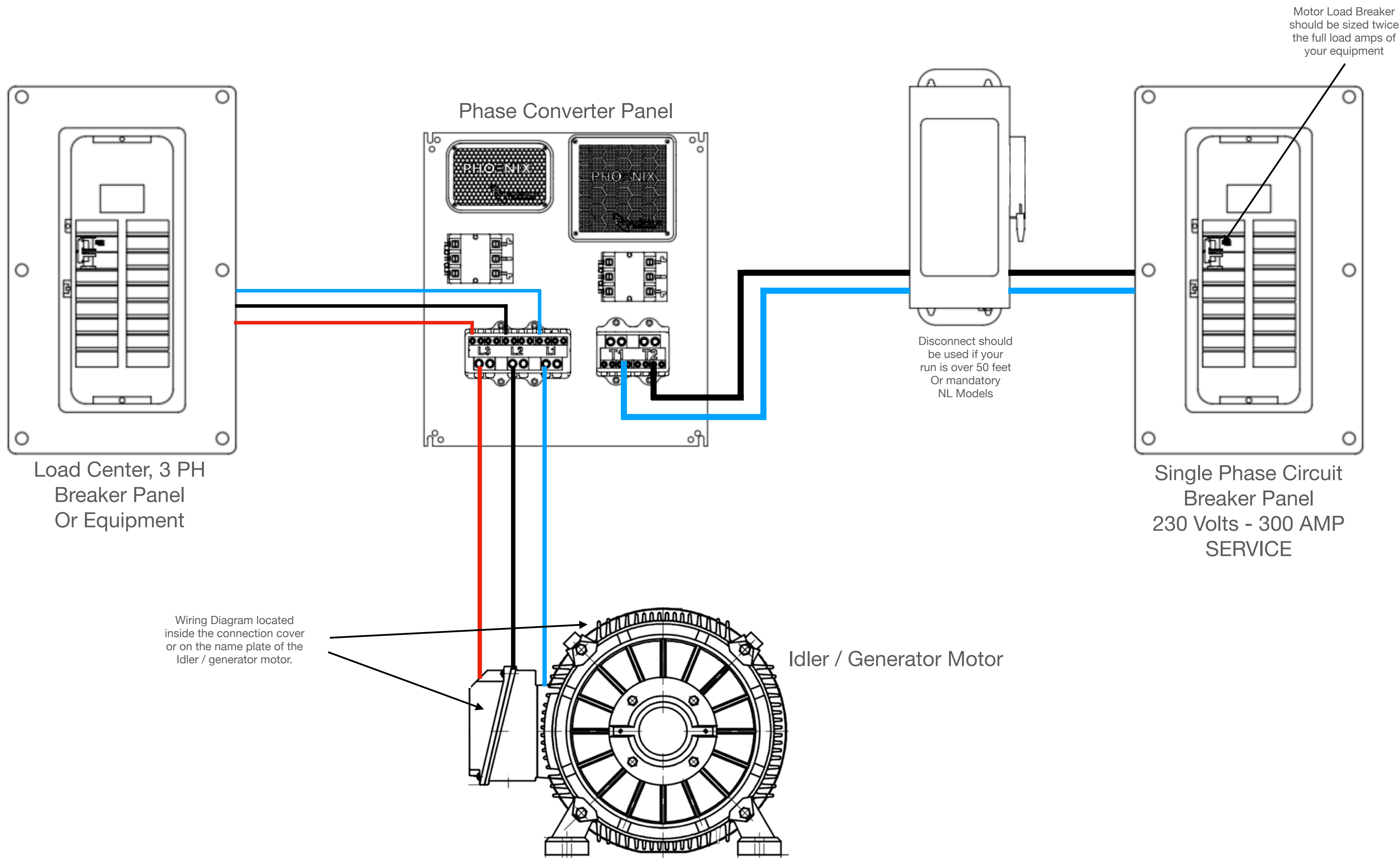


Indoor or outdoor enclosure



3d Animation of 12 Wire Idler Motor, Lead 1,7,6,12 to L1. Lead 2,4,10,12 to L2. Lead 3,5,9,11 to L3.

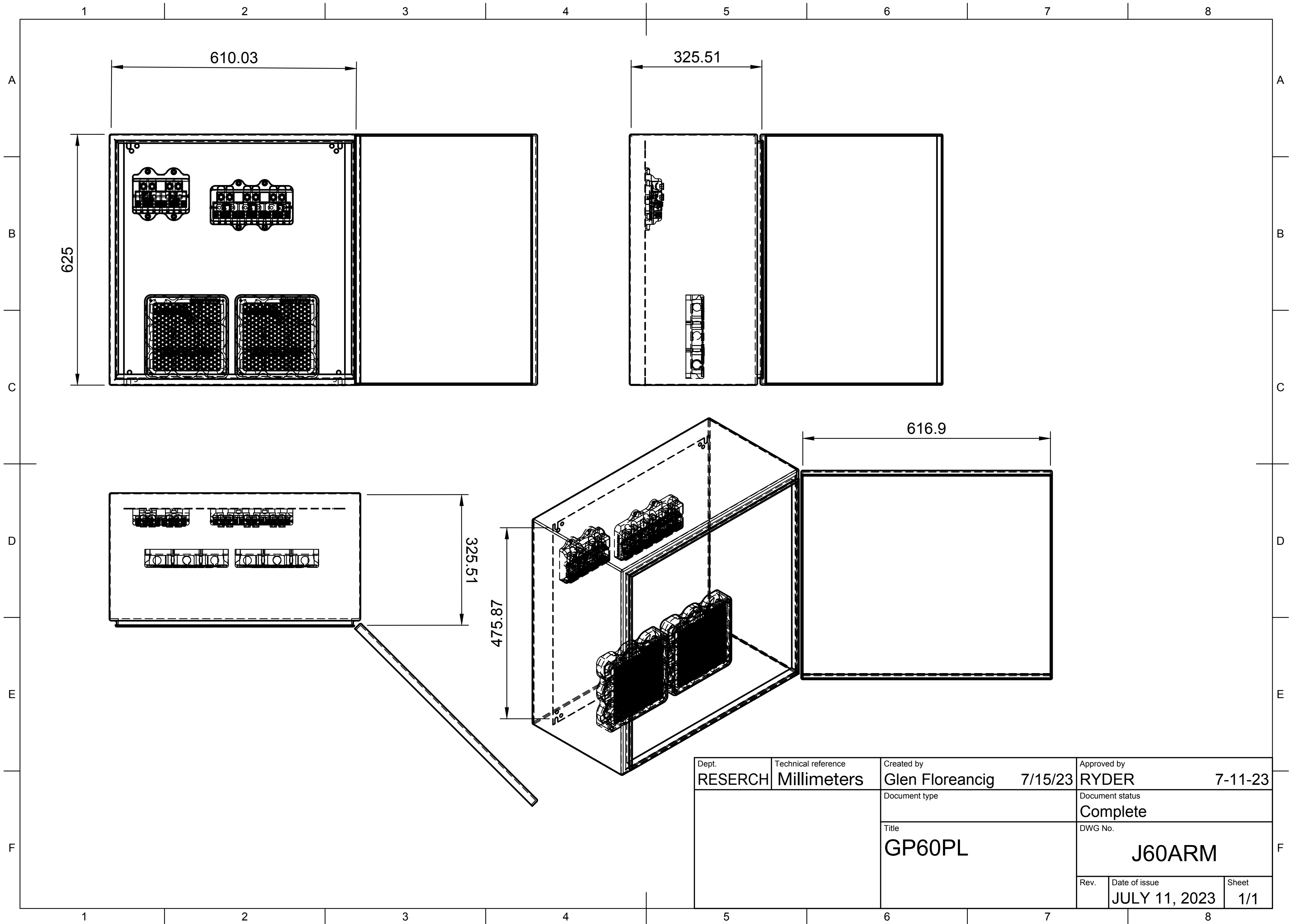




Motor Load Breaker should be sized twice the full load amps of your equipment

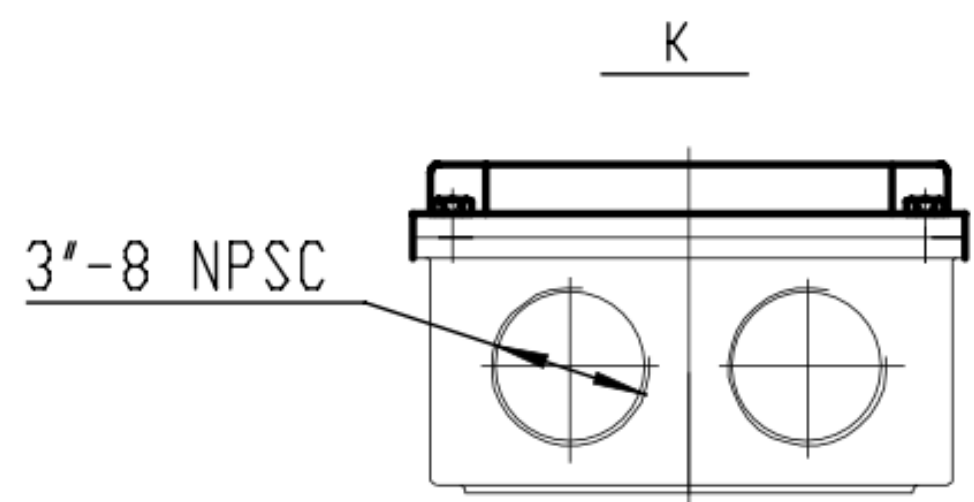
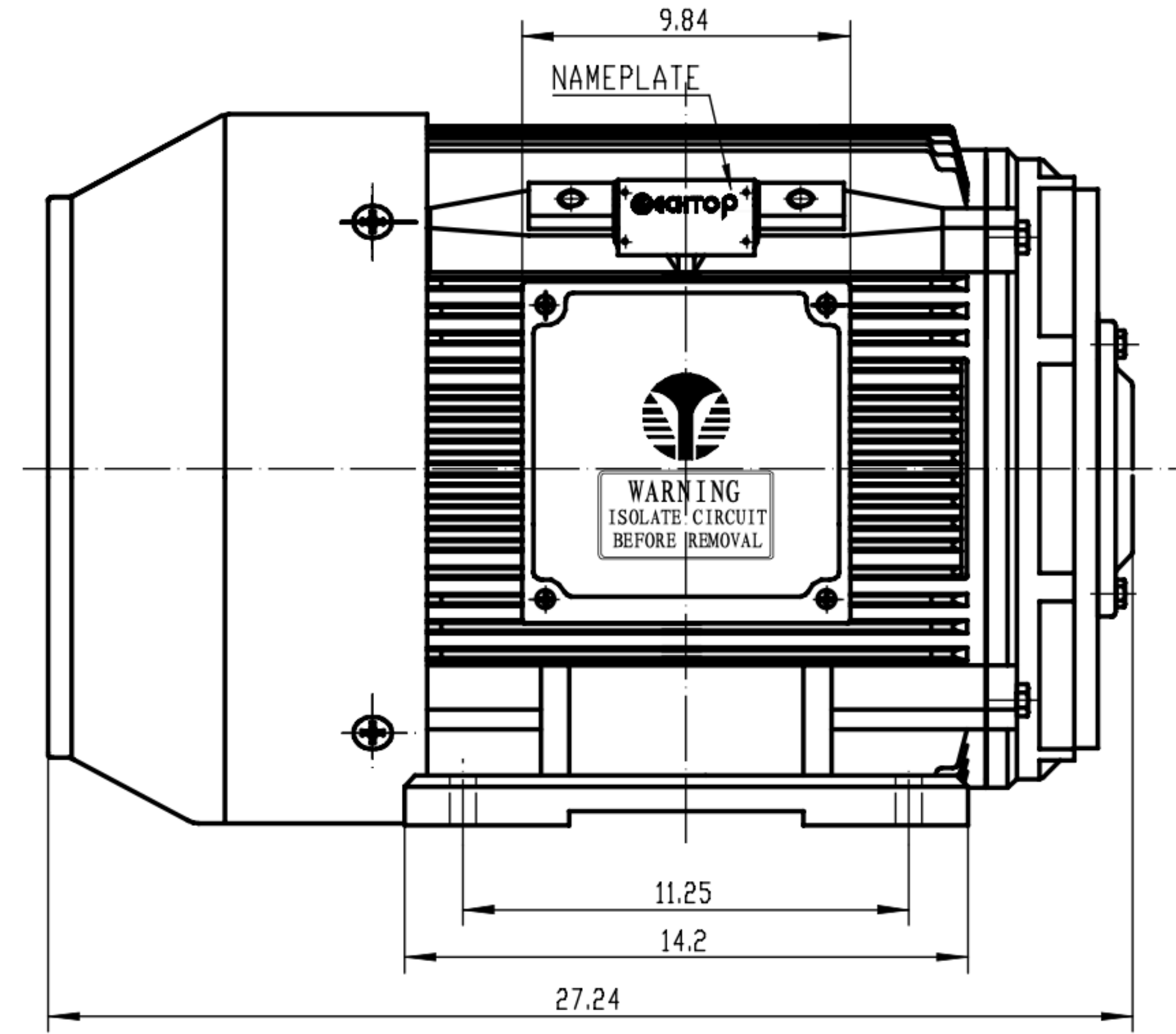
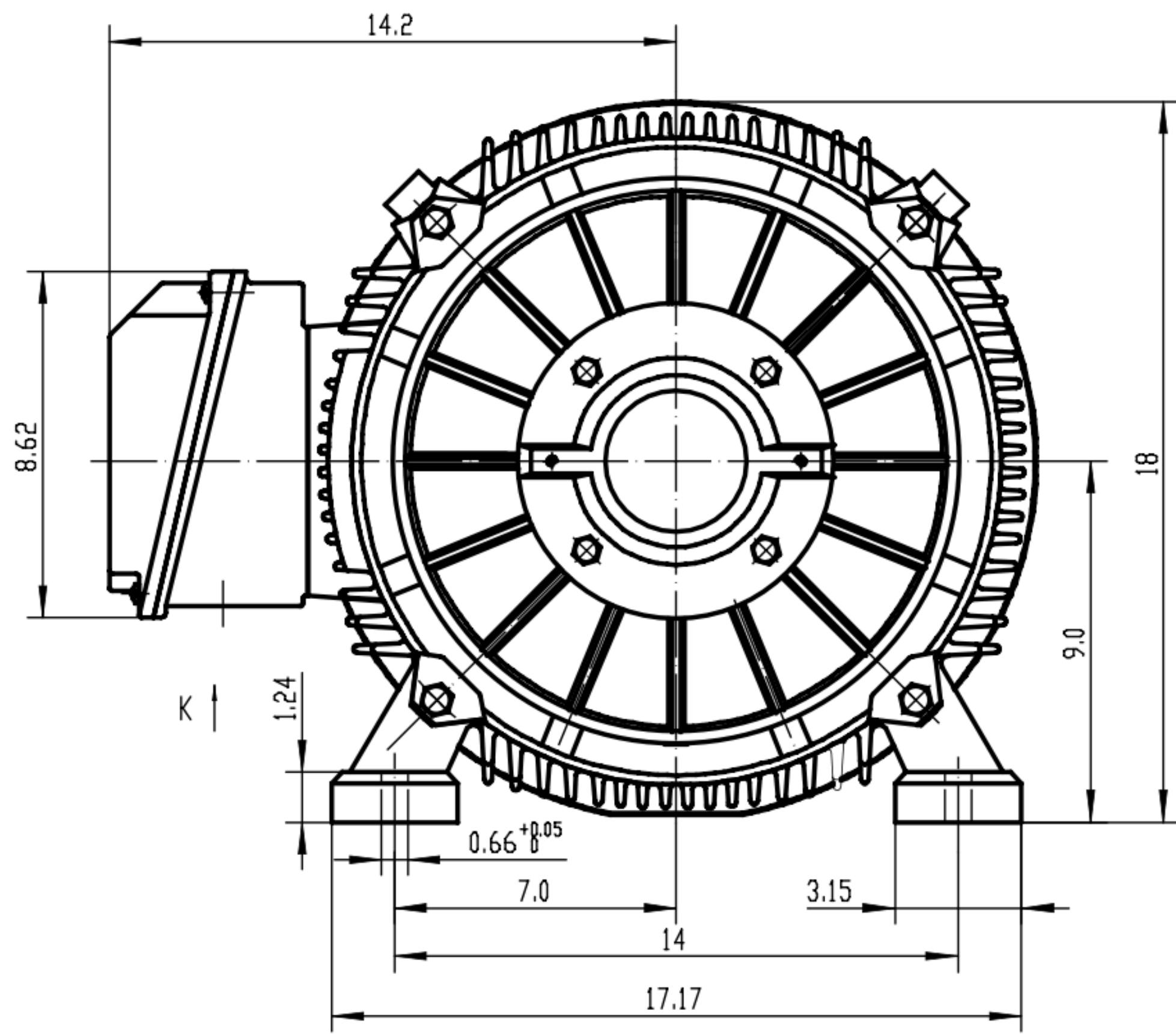
Disconnect should be used if your run is over 50 feet Or mandatory NL Models

Wiring Diagram located inside the connection cover or on the name plate of the Idler / generator motor.



Dimensions for Nema 4 Enclosure For GP50, GP60 GP75, GP100

Dept.	Technical reference	Created by	Approved by
RESERCH	Millimeters	Glen Floreancig 7/15/23	RYDER 7-11-23
		Document type	Complete
		Title	DWG No.
		GP60PL	J60ARM
Rev.	Date of issue	Sheet	
	JULY 11, 2023	1/1	



Weight 75 HP = 873.18 lbs

100 HP Rotary Phase Converter Components

Item Number	Description (Click on the description to visit the link to that item)	Quantity in Model	Price	SKU# (Click on 3D viewing)
7	Relay	1	47.00	GP90-66
4	Complete Run Bank Assembly - Prewired	1	490.00	*
3	3 Pole Contactor 75 amp - 230V	1	182.90	C375C
1	9 Bank Start and Run Capacitor Holder Only with Base	1	239.00	CB409HO
2	3 Phase Power Block	1	535.00	GPB1003
5	630 MFD 220V Start Capacitor	3	24.14	PTMJ630
6	100 MFD 370V Run Capacitor	1	26.00	TRC100
*	Complete Capacitor Start Bank Assembly - Prewired	1	490.00	CB30230
*	Complete Back Plate Assembly - Prewired PL Model. (with Start and Stop Button)	1	4421.00	CBA75PL
*	Complete Panel with NEMA 4 Enclosure - Prewired PL Model (with Start and Stop Button)	1	4743.00	GP75PLPO
*	Idler Motor	1	4332.00	*
*	Complete Unit Phase Converter Panel (PL Model) and Idler/Generator Motor	1	9486.00	GP75PL

