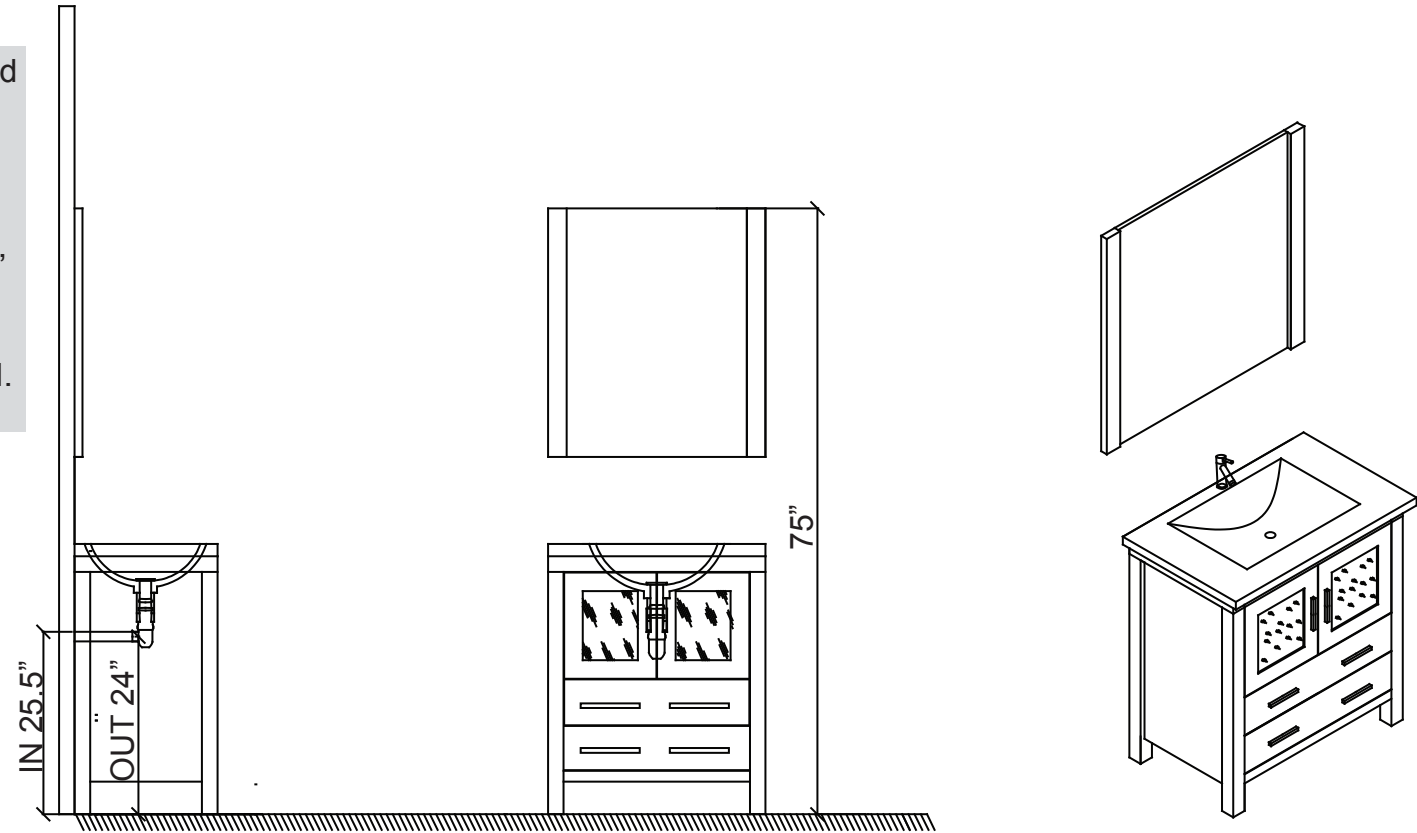


SKU:36"

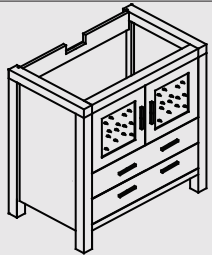
SIZE: 900x460x880mm

PROHIBIT COPY

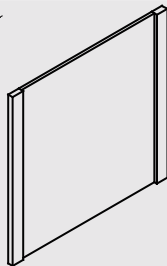
- Prior to installation please check received items against the Packing List . please report any missing items to your local dealer immediately.
- Protect all surfaces from sharp objects, high hert sources, direct prolonged sunlight and chemical hazards.
- Professional installation recommended.



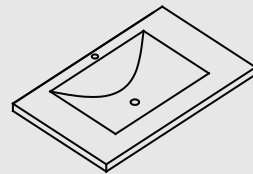
PACKING LIST



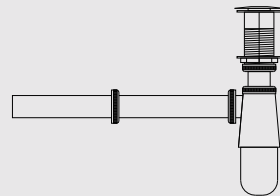
Main cabinet/1



Mirror/2



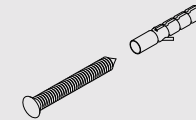
top/3



POP UP+Drain pipe/4



FAUCET/5



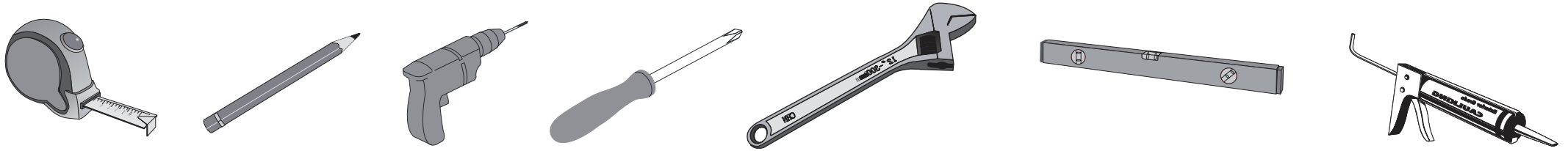
Install screw/6

SKU:36"

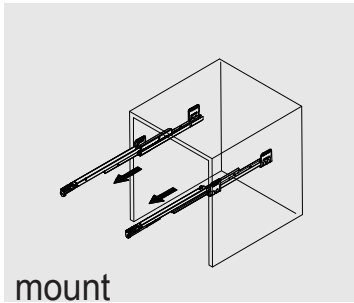
SIZE:900x460x880mm

PROHIBIT COPY

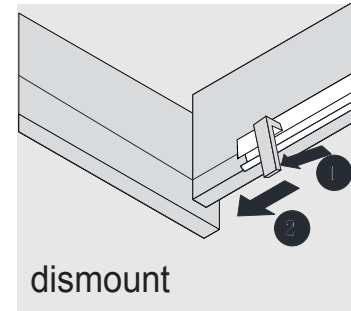
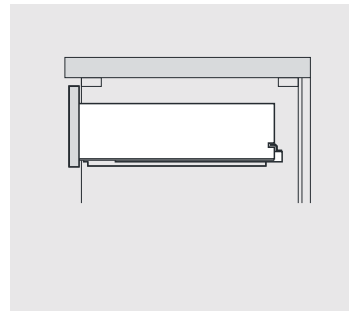
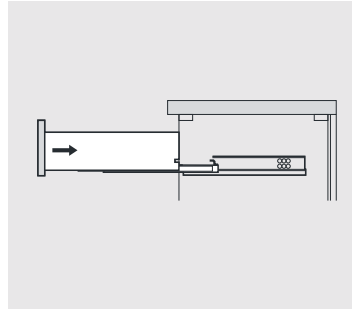
REQUIRED TOOLS



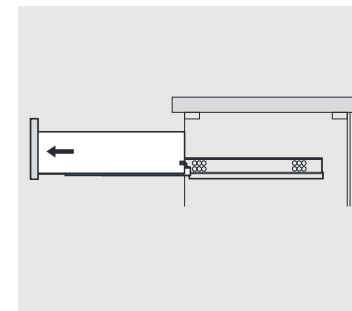
DRAWER SLIDER ATTACHMENT AND DETACHMENT



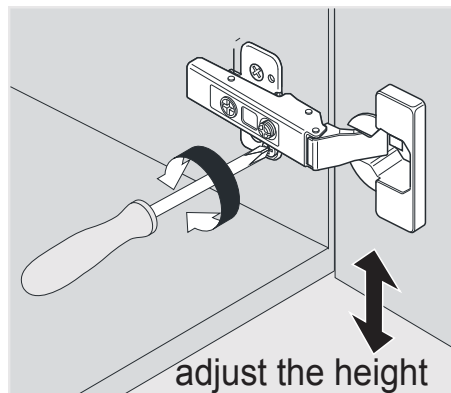
mount



dismount

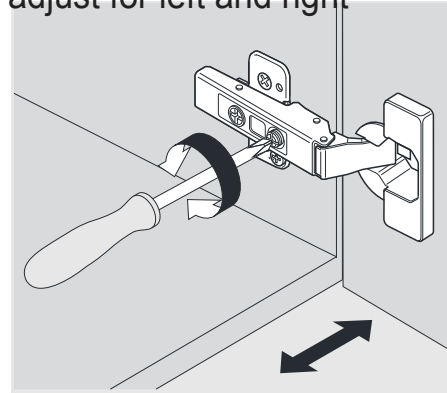


INSTALLATION AND ADJUSTMENT OF HINGES

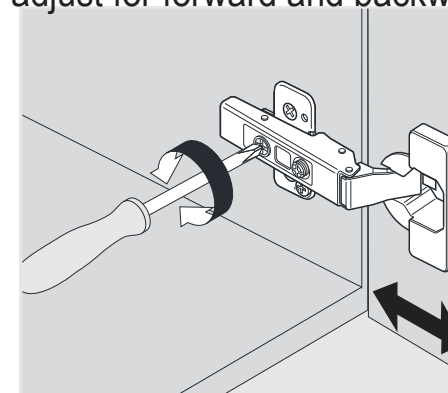


adjust the height

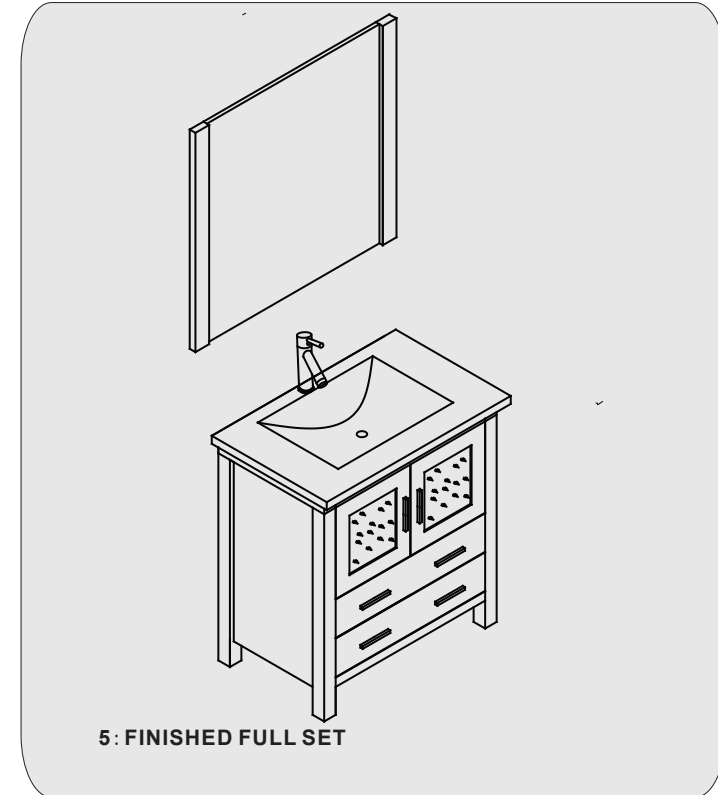
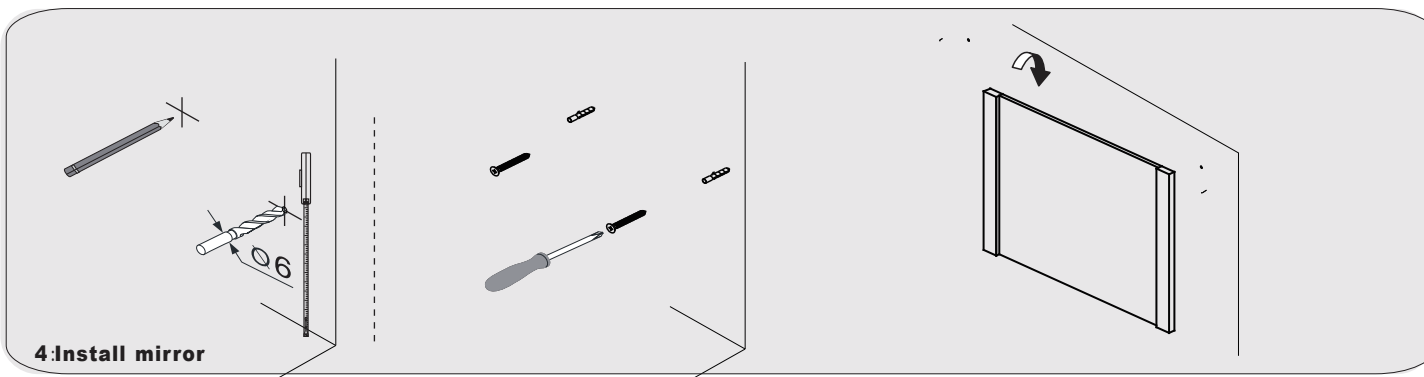
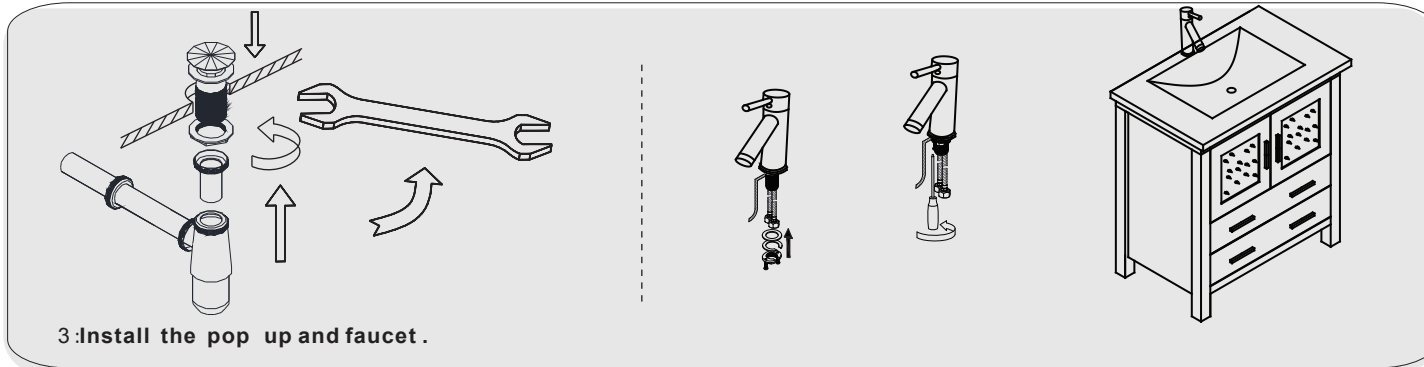
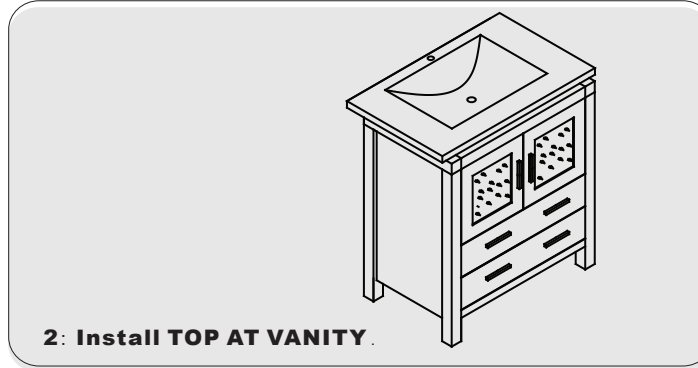
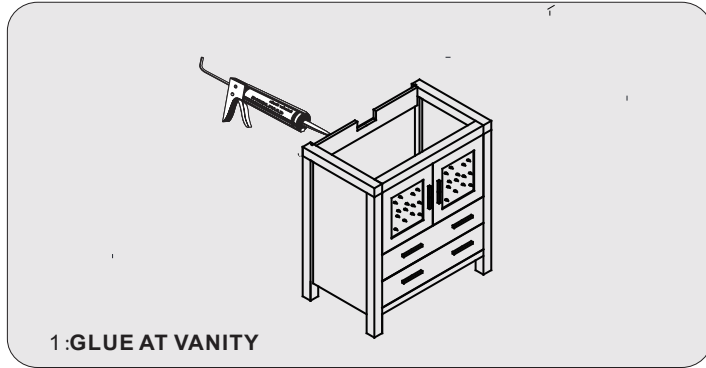
adjust for left and right



adjust for forward and backward



INSTALLATION PROCESS

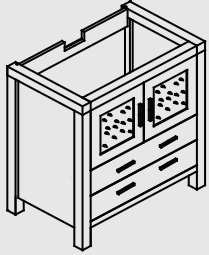


SKU:36"

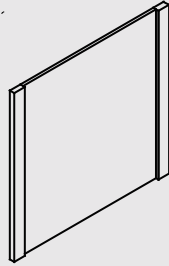
SIZE: 900x460x880mm

PROHIBIT COPY

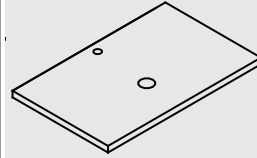
PACKING LIST



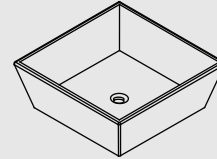
Main cabinet/1



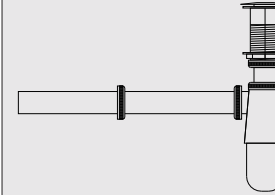
Mirror/2



top/3



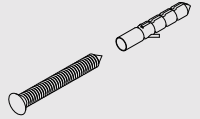
basin/4



POP UP+Drain pipe/5

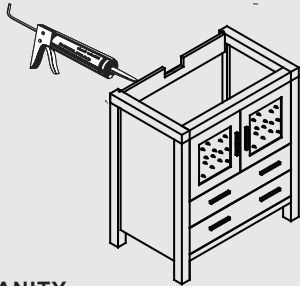


FAUCET/6

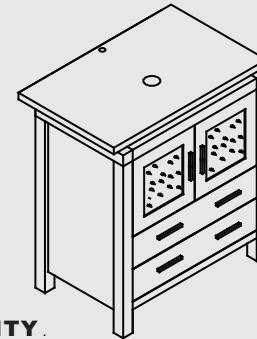


Install screw/7

INSTALLATION PROCESS



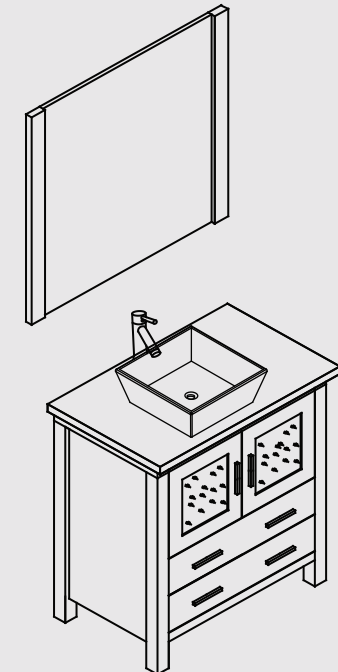
1:GLUE AT VANITY



2: Install TOP AT VANITY



3:install Basin



6: FINISHED FULL SET