

# ARIEL

## WESTWOOD 60" DOUBLE SINK VANITY SET

**MODEL: C061D**

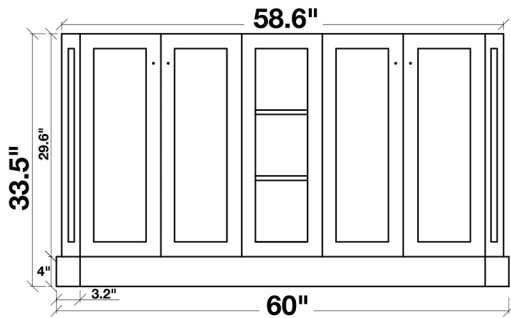
- |              |   |
|--------------|---|
| Cabinet Size | 61"W x 21.5"D x 33.5"H  |
| Mirror Size  | 59"W x 39"H   |
| Features     | <ul style="list-style-type: none"> <li>• Solid Wood Construction</li> <li>• Four Soft-Closing Doors</li> <li>• Three Uncovered Open Shelves</li> <li>• Satin Nickel Finish Hardware</li> <li>• Matching Framed Mirror Included</li> </ul> |



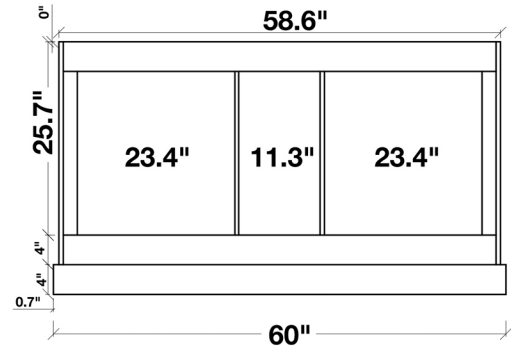
**COLLECTION:**

ARIEL WESTWOOD

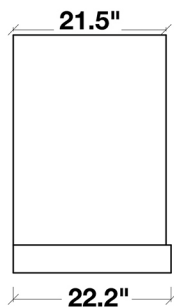
FRONT



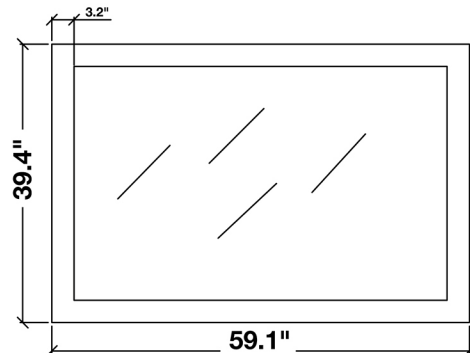
BACK VIEW



SIDE VIEW



MIRROR VIEW



# ARIEL

## CARRARA WHITE MARBLE COUNTERTOP

MODEL: C061D-CT

### Dimensions

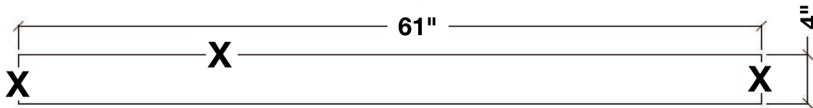
61"W x 22"D x 1.5"H

### Features

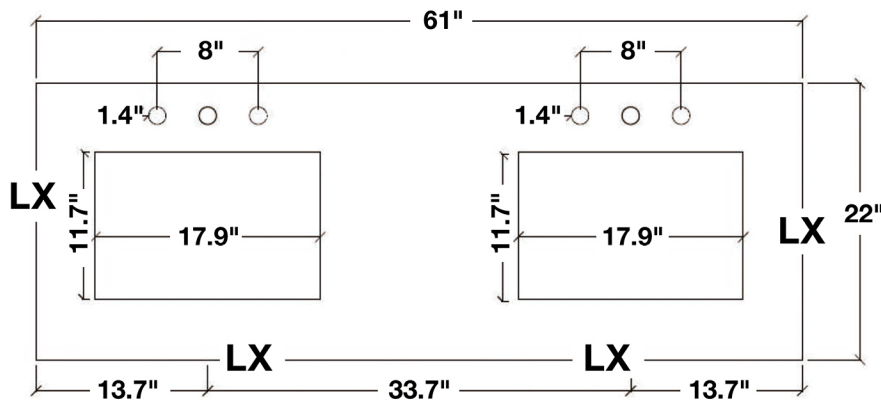
- Carrara White Marble Countertop w/ 1.5" Edge and Matching Backsplash
- Countertop Pre-Drilled for 8" Widespread Faucets
- Two Ceramic, Rectangular, UPC Certified Under-Mount Sinks
- Matching Backsplash Included

All stone tops are finished by hand, pre-drilled for 8" widespread faucets, and double-sealed for scratch resistance and long term durability.

### BACKSPLASH



### TOP VIEW



### 1.5" EDGE SIDE VIEW

