

ickle bubba

# **Grantham**

## **Mini Cot Bed**

Instructions

---

**IMPORTANT,  
RETAIN FOR FUTURE REFERENCE:  
READ CAREFULLY**

## Safety Warnings

Thank you for choosing Ickle Bubba. This cot bed conforms to BS EN 716 :2017 and BS 8509 :2008 + A1:2011. To ensure that your cot bed is used in accordance with these instructions, please read them fully.

**Your child's safety may be affected if you do not follow these instructions.**

**A child's safety is your responsibility.**

**Assembly should be carried out by a competent adult only.**

**WARNING :** Do not use more than one mattress in the cot bed.

**WARNING :** Do not use the child's bed near heat sources, windows and other furniture.

**WARNING :** Be aware of the risk of open fire and other sources of heat, such as electric bar fires, gas fires, etc. in the near vicinity of the cot bed.

**WARNING :** Do not use this child's bed if any part is broken, torn or missing. Use only spare parts approved by the manufacturer.

**WARNING :** Do not leave anything in the cot bed or place the cot bed close to another product, which could provide a foothold or present a danger of suffocation or strangulation, e.g. strings, blind/curtain cords etc.

- Please be aware that the lowest base position is the safest and the base should always be used in that position as soon as the baby is old enough to sit unaided.
- The thickness of the mattress chosen should be such that the internal height (surface of the mattress to the upper edge of the cot frame) is at least 500mm when the base is set in the lowest position and a minimum of 200mm when the cot base is set in the highest position.
- We recommend you use the Babyhoot Mattress Size 120 x 60 cm for this cot bed. The mattress should be no more than 30mm shorter or narrower than the internal length or width of the cot bed.
- To prevent injury from falls, as soon as the child is able to climb out of the cot then it should be changed into the bed mode for use up until 4 years of age.
- The cot bed is designed to be dismantled for storage or transportation. Children are likely to play, bounce, jump and climb on beds, therefore the child's bed should not be placed to other furniture or windows, and should be placed either tight to the wall or have a gap of 300mm between the wall and the side of the bed.
- All assembly fittings should be tightened properly and care should be taken to ensure that no screws are loose, as a child could trap parts of the body, or clothing (e.g. ribbons, drawstrings, necklaces) this could lead to strangulation.
- During assembly children should be kept away from the product due to possible risk of injury.
- Wood is a natural material, the colour will darken with age.

### ROUTINE CARE & MAINTENANCE

Regularly check that all fittings and components of the cot/bed are fully tightened and in working order.

- For cleaning, use only a mild detergent and warm water.

- DO NOT USE abrasives, bleach, alcohol or amonia based household polishes

Due to constant updating and improvements, some components may occasionally differ slightly from the images shown in these instructions. We reserve the rights to change the specifications of any products without prior notice. If you need any assistance please contact your Ickle Bubba retailer from whom you purchased your product, who will take appropriate action.

### CONTACT US

Email: [contact@icklebubba.com](mailto:contact@icklebubba.com)

## Safety Warnings



IN ORDER TO PREVENT TIPPING THIS PRODUCT MUST BE USED WITH THE WALL ATTACHMENT DEVICES PROVIDED.

Serious or fatal crushing injuries can occur from furniture tipping over. To help prevent tipping:

- Use the wall attachment devices provided
- Never allow children to climb or hang on drawers, doors or shelves
- Place heaviest items in the lower drawers or shelves
- Do not set TVs or other heavy objects on top of this product
- Never open more than one drawer at a time

Attachment devices are provided with your product, however you will need to source suitable fixings for your wall type. If in doubt, please consult a qualified tradesperson.

Always ensure the wall to be drilled is free from hidden electrical wires, water and gas pipes.

IND. 4020745



# BEFORE ASSEMBLY:

## MAIN COMPONENTS

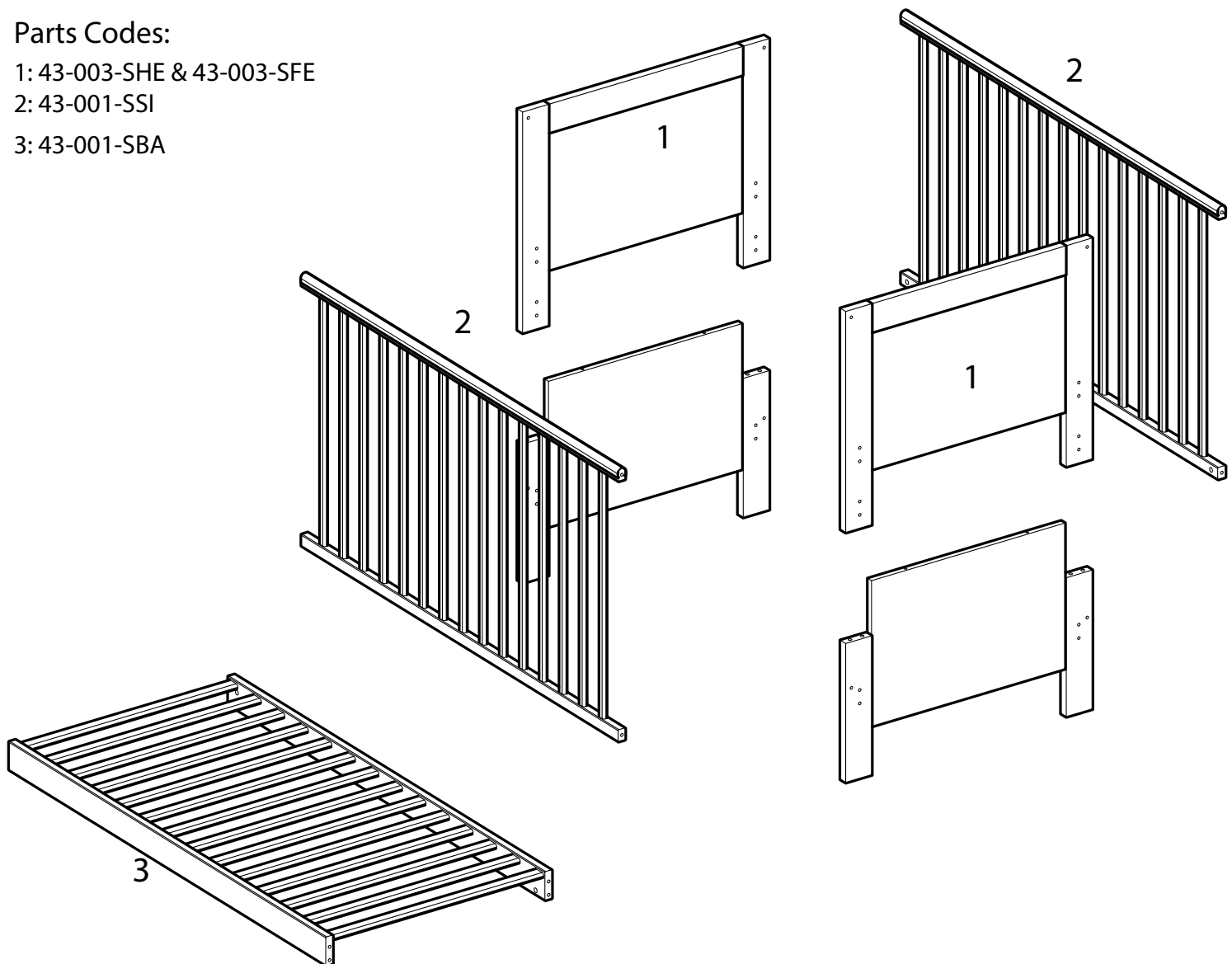
- unpack all the parts and identify them against the fittings and components list.
- do not discard any packaging until you have checked that you have all parts as shown below.
- you may find the construction of your cot bed easier if you have the help of another person.
- crosshead screwdriver (not provided)


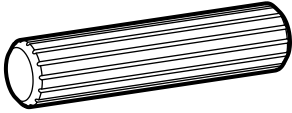
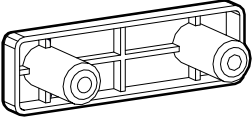
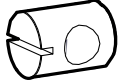

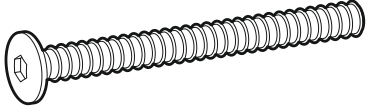
### Parts Codes:

1: 43-003-SHE & 43-003-SFE

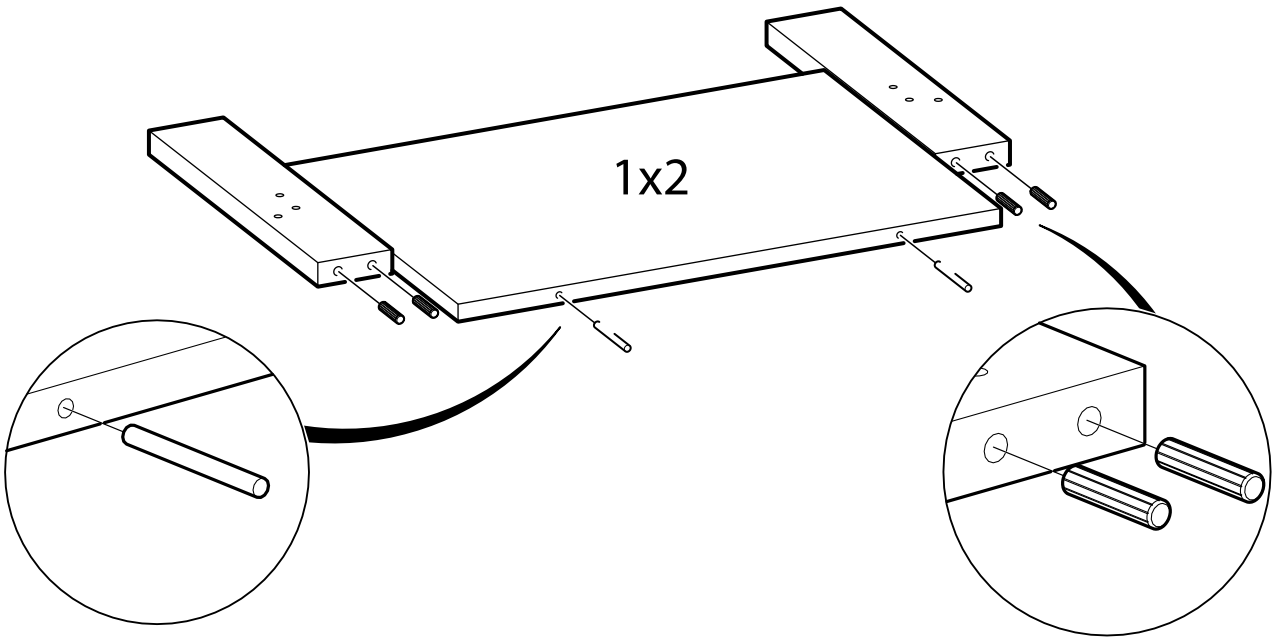
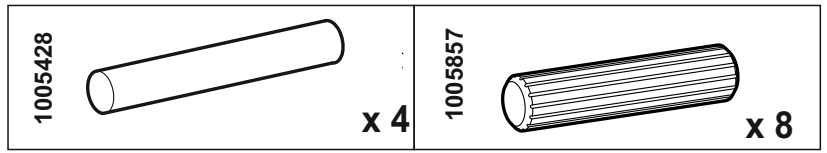
2: 43-001-SSI

3: 43-001-SBA

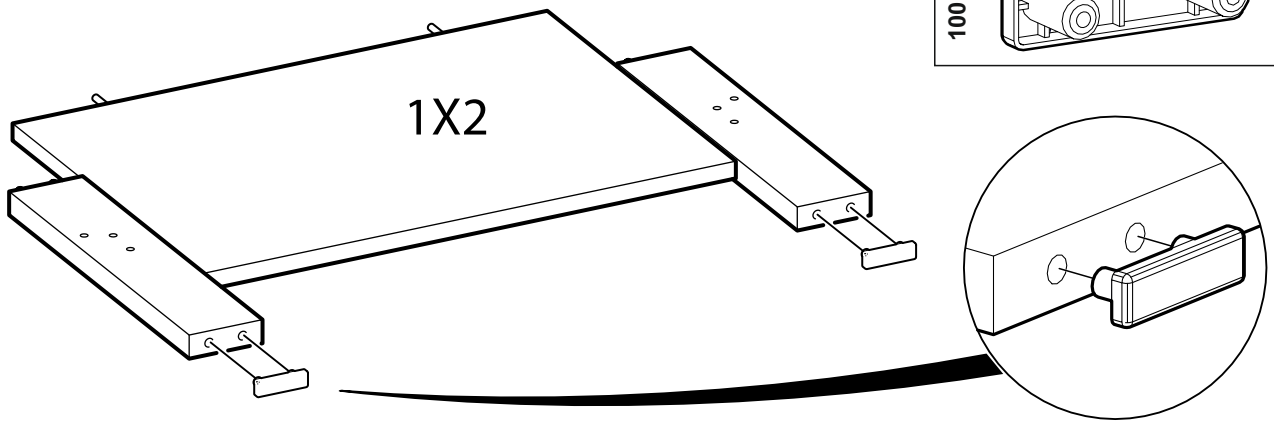
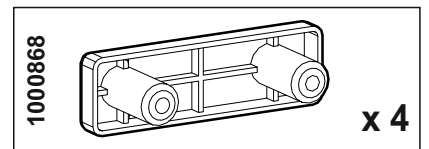


<p>1000806</p>  <p>x 1</p>	<p>1005857</p>  <p>x 8</p>	<p>1000868</p>  <p>x 4</p>
<p>1005790</p>  <p>x 16</p>	<p>1005428</p>  <p>x 4</p>	<p>1006025</p>  <p>x 16</p>

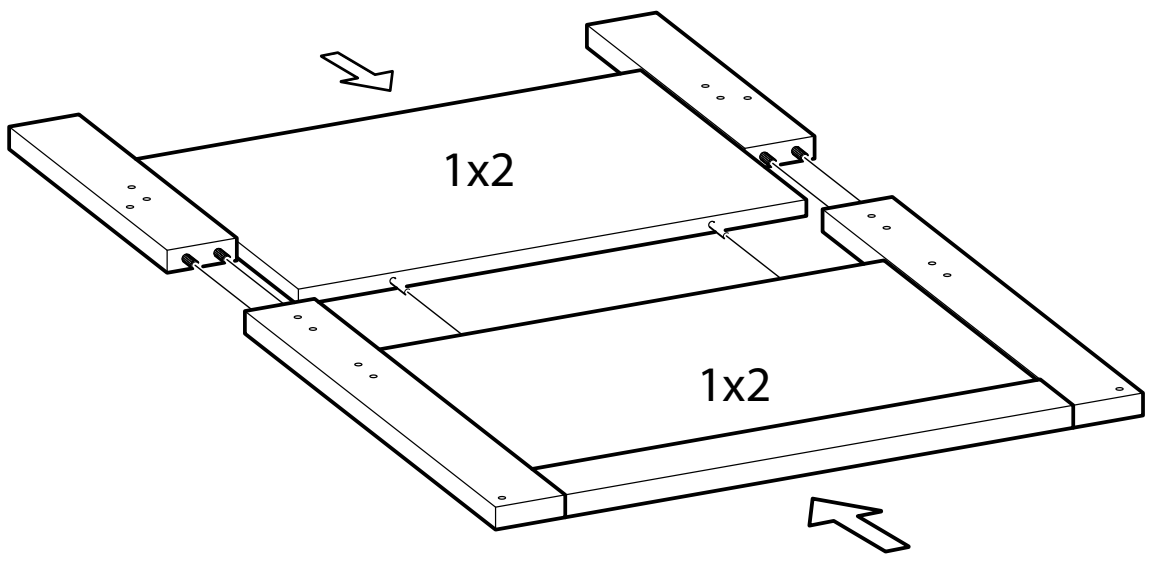
1



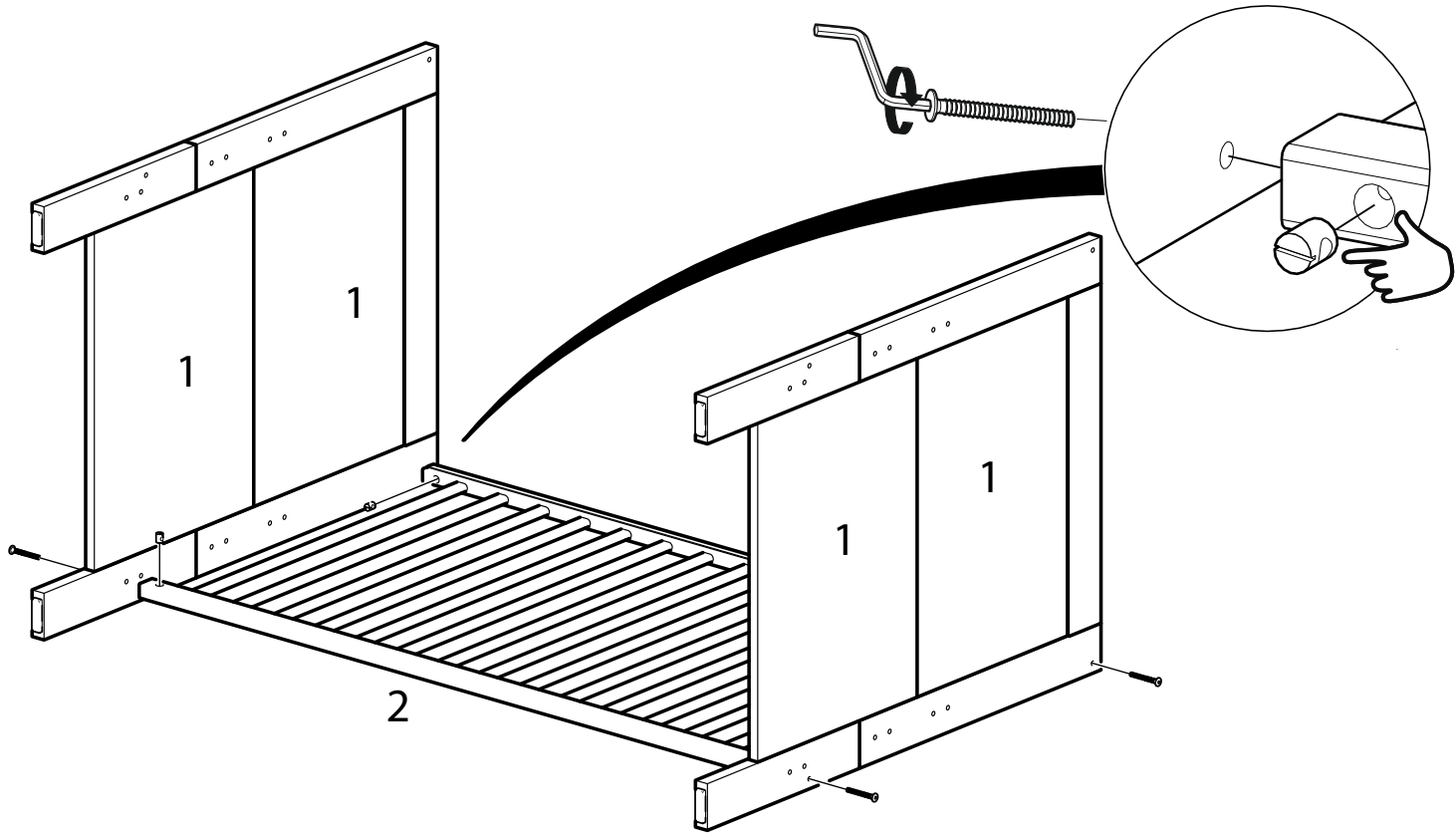
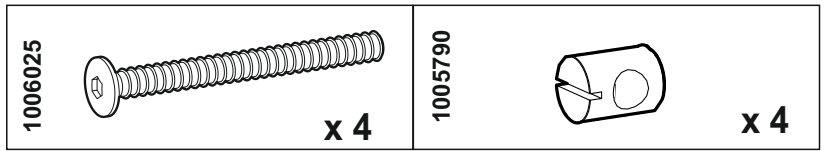
2



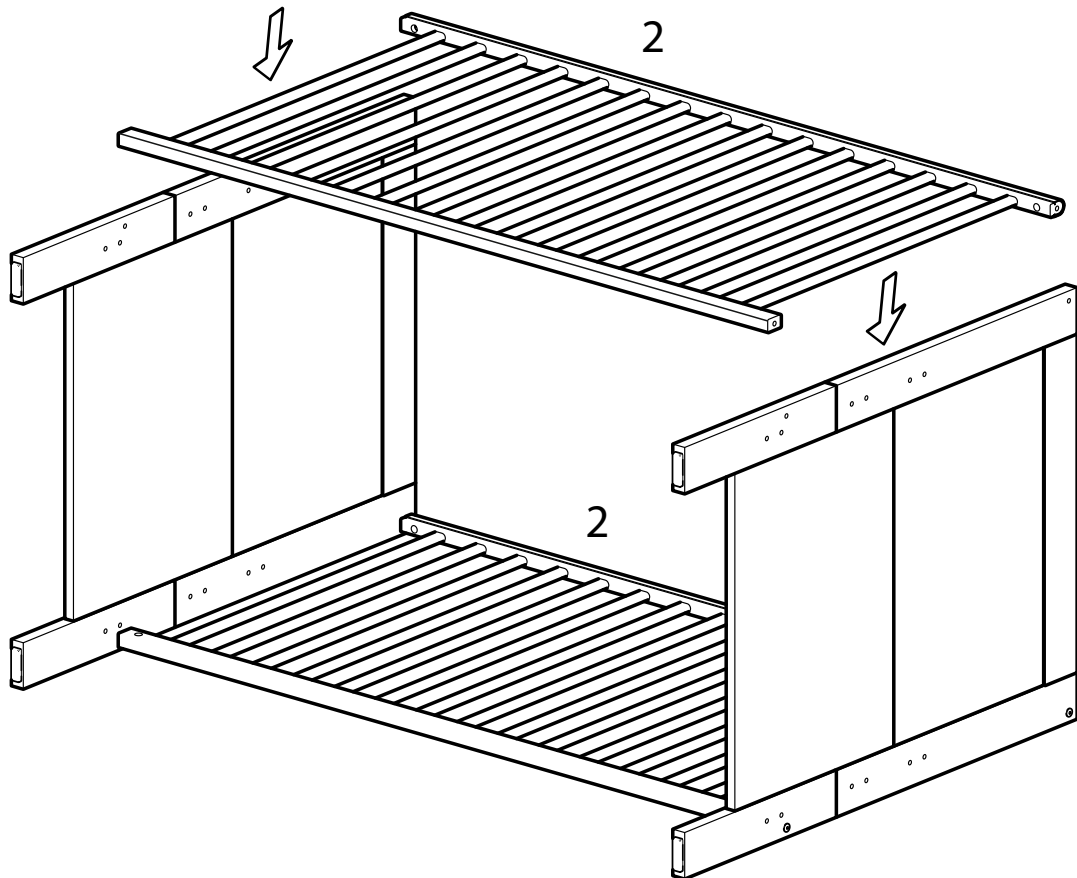
3



# 4

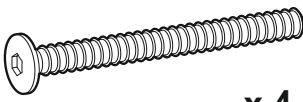
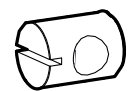


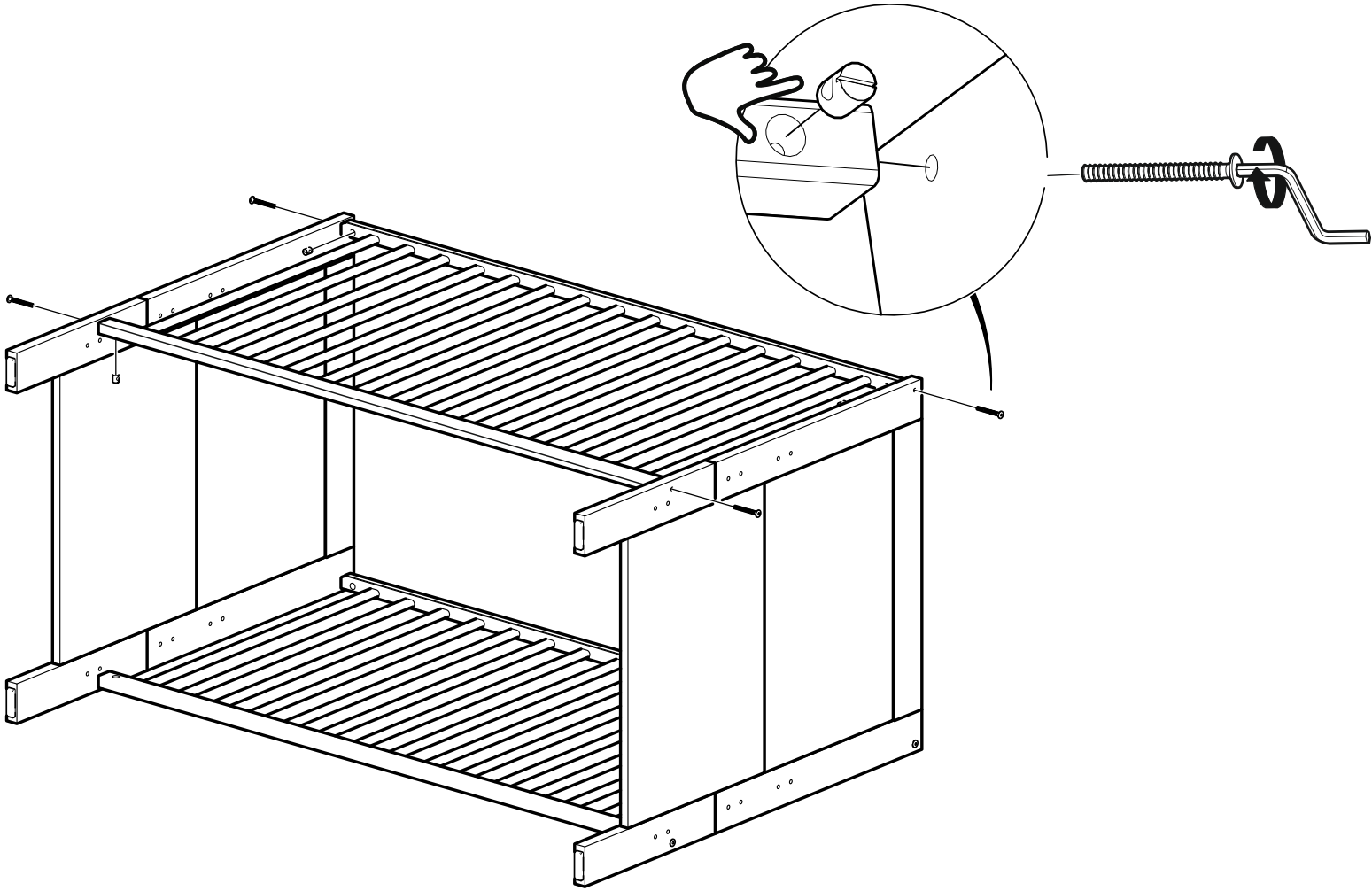
# 5



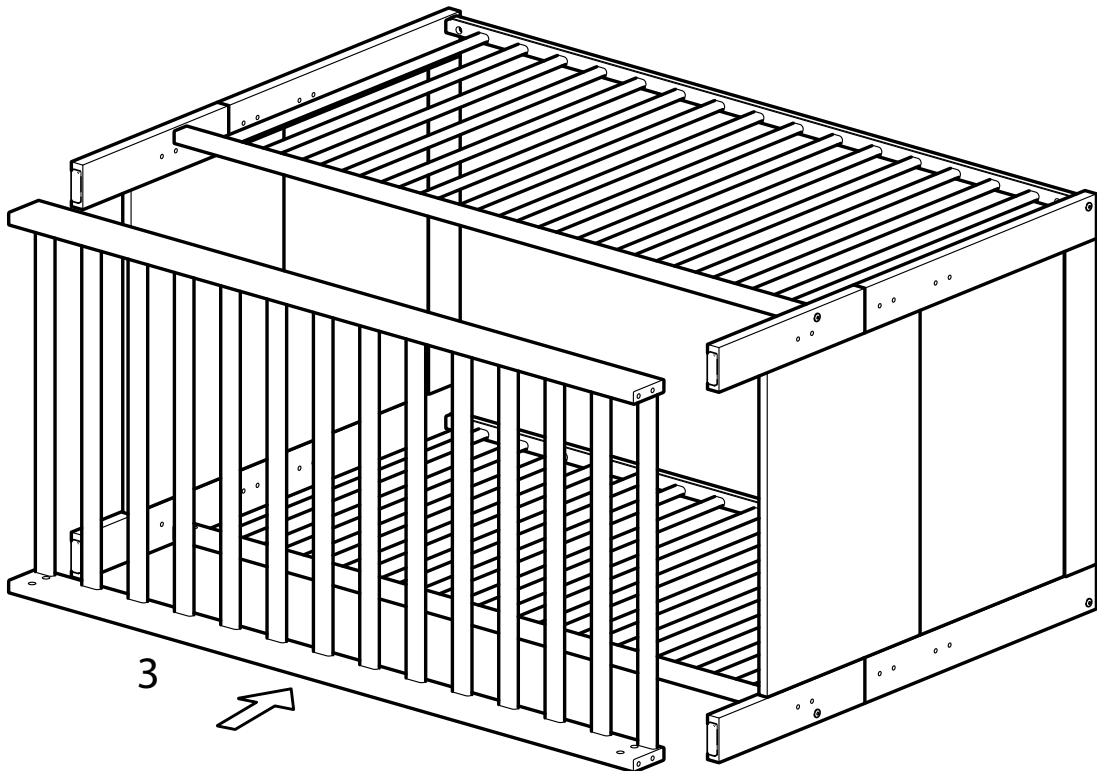


# 6

1006025		x 4	1005790		x 4
---------	---	-----	---------	--	-----

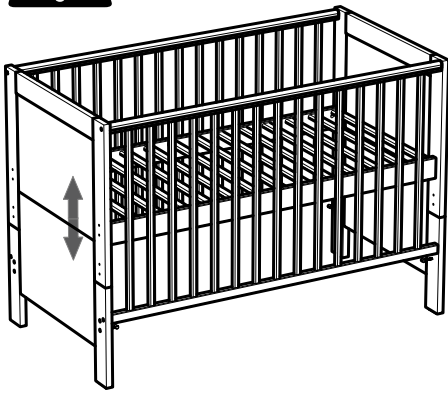


# 7





1



2



3



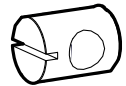
8

1006025

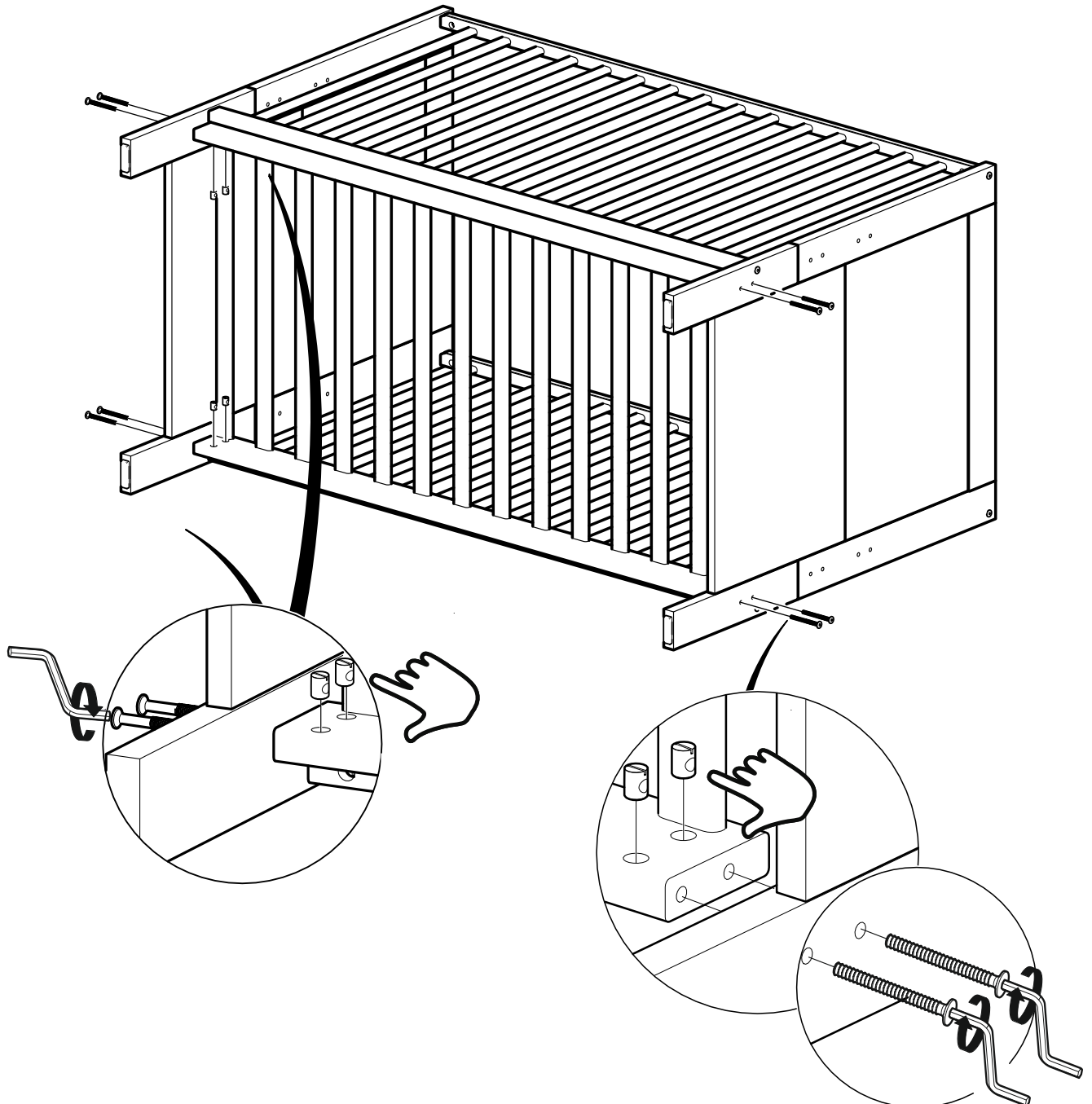


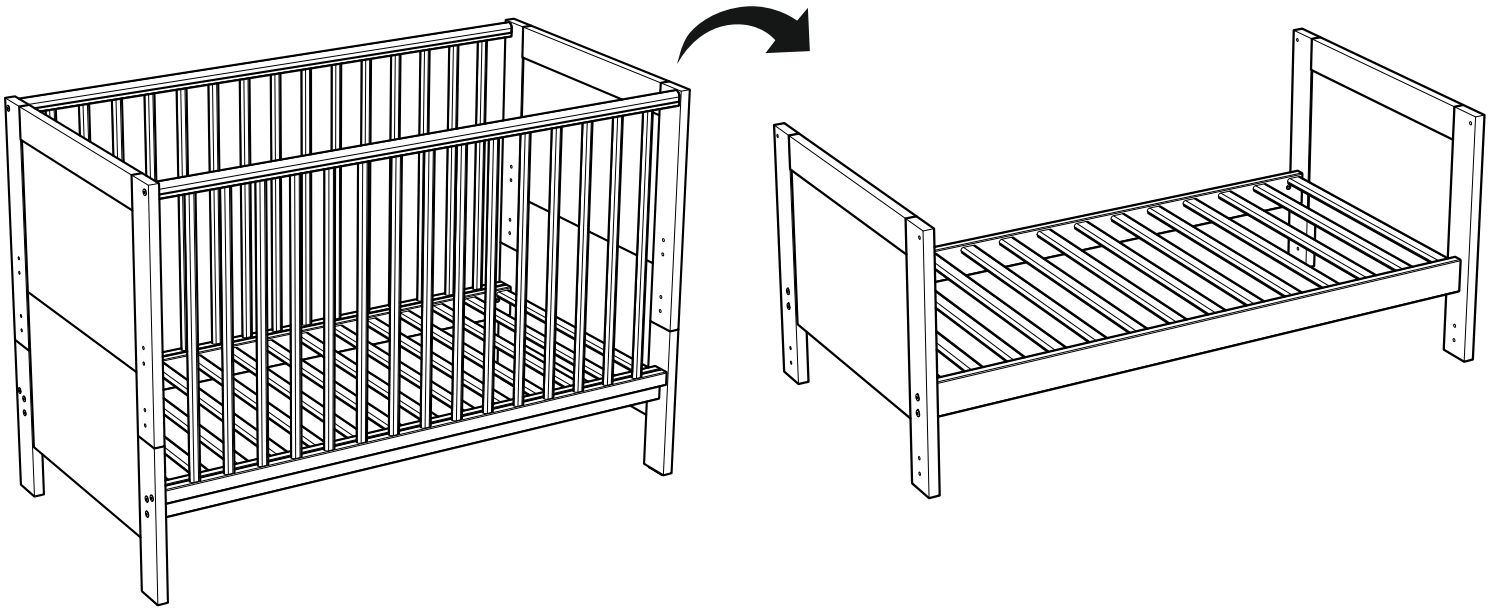
x 8

1005790

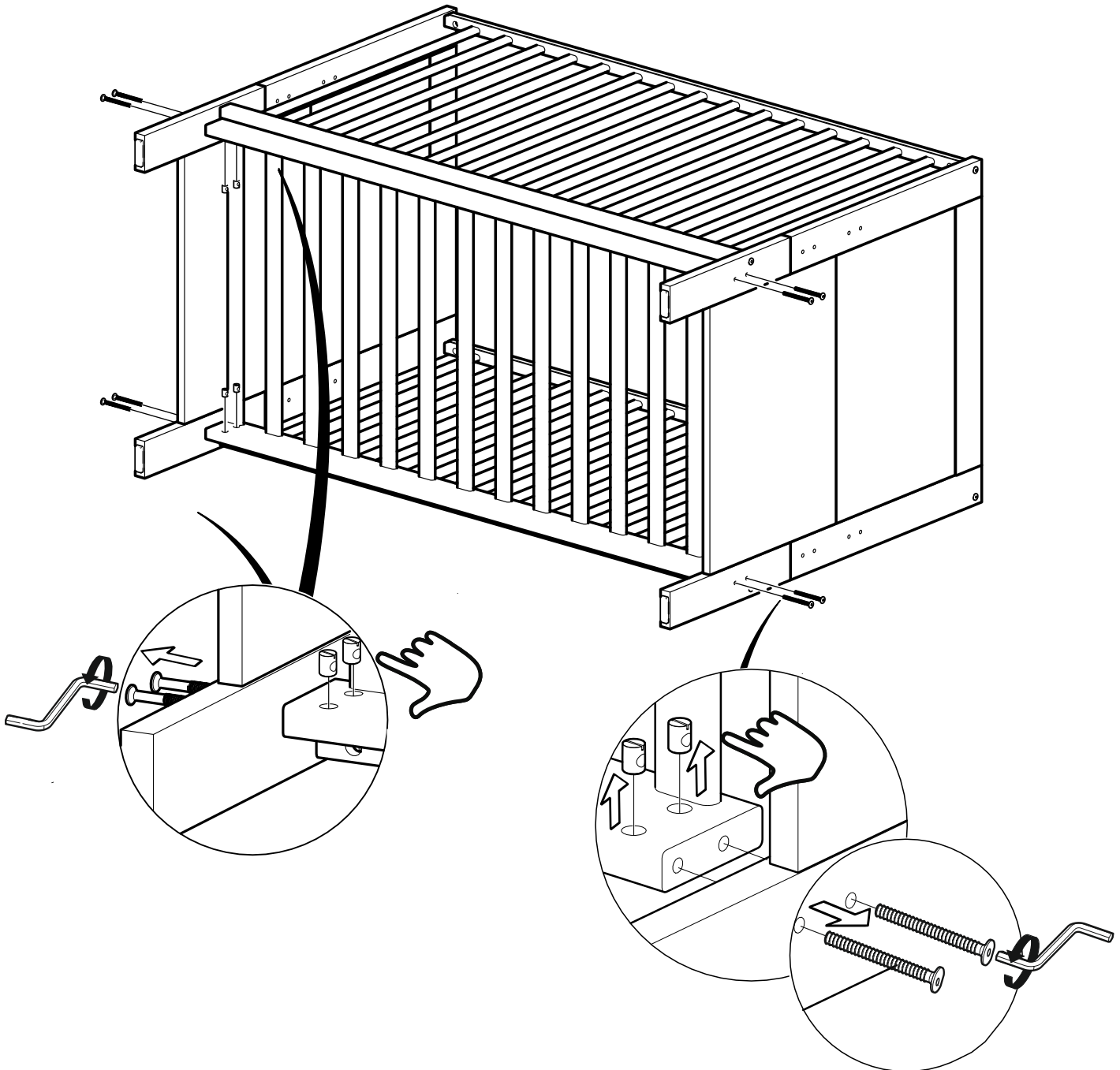


x 8

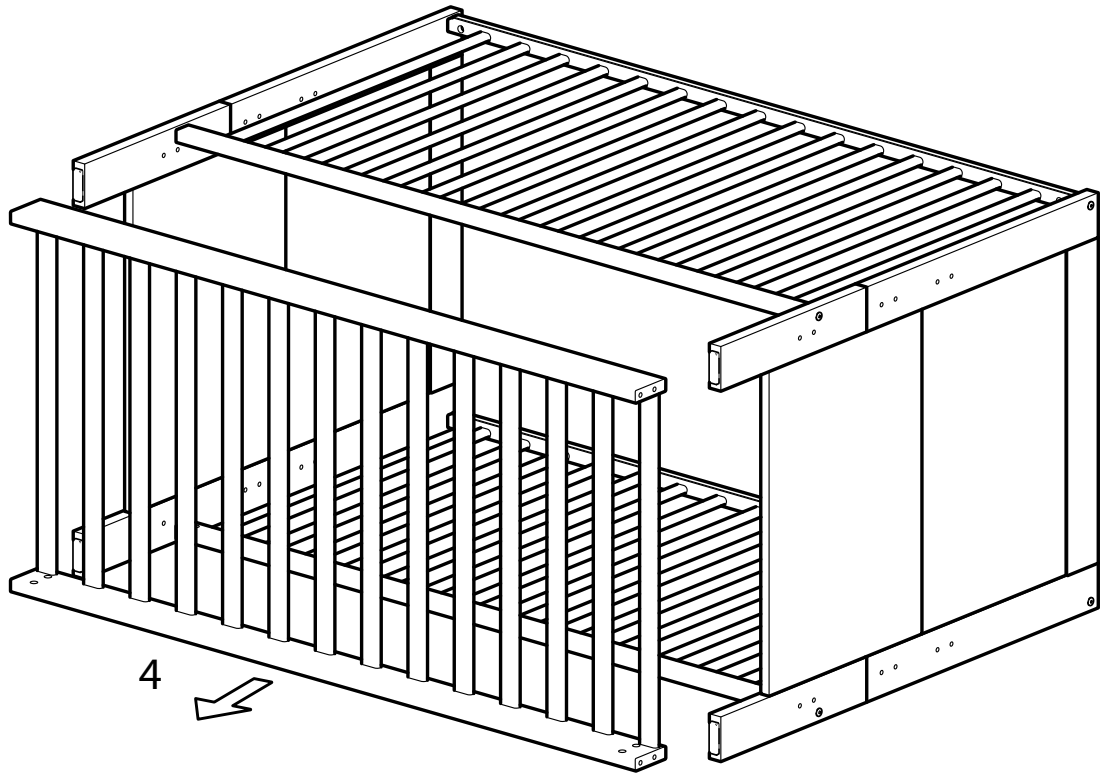




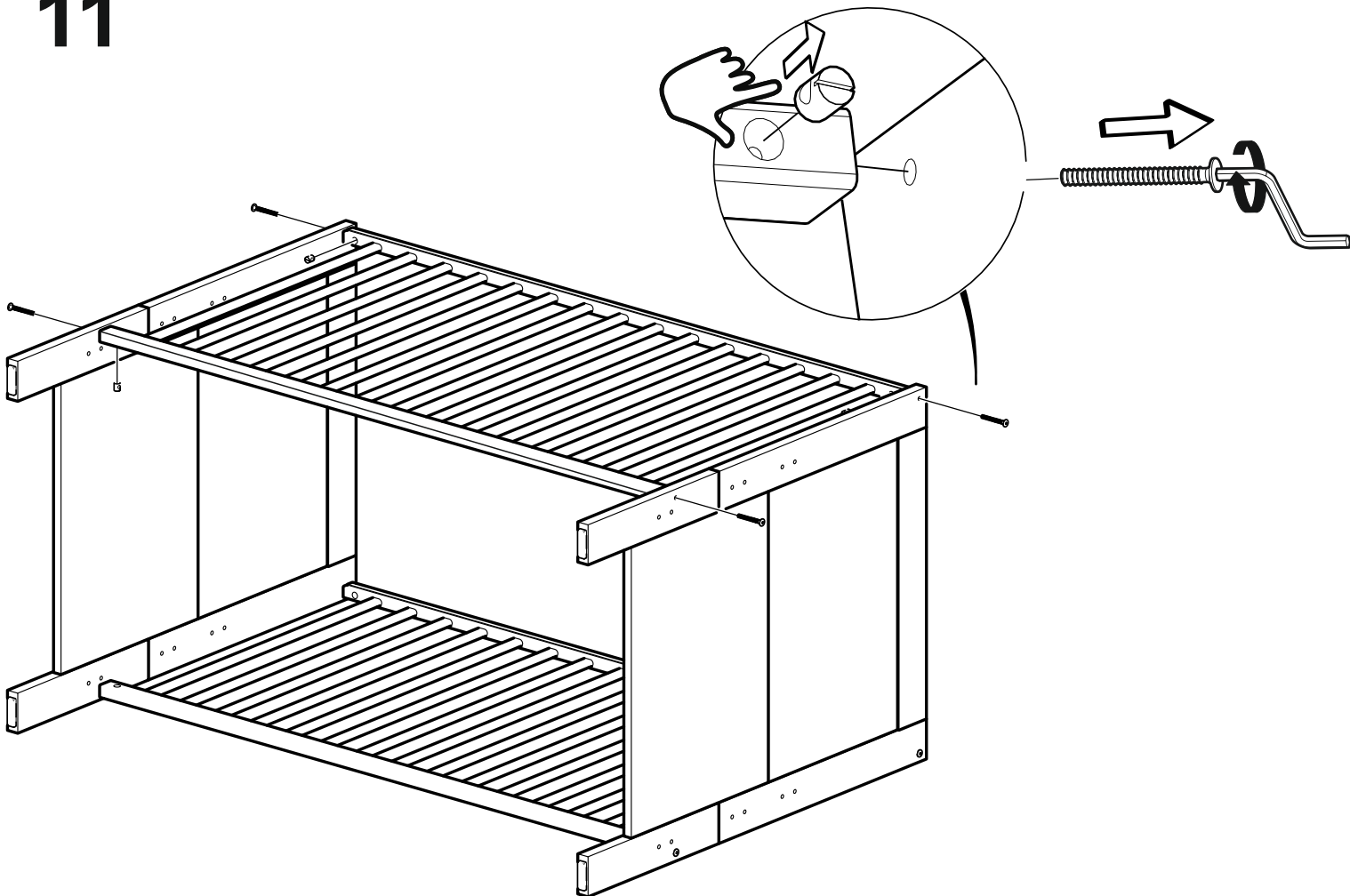
9



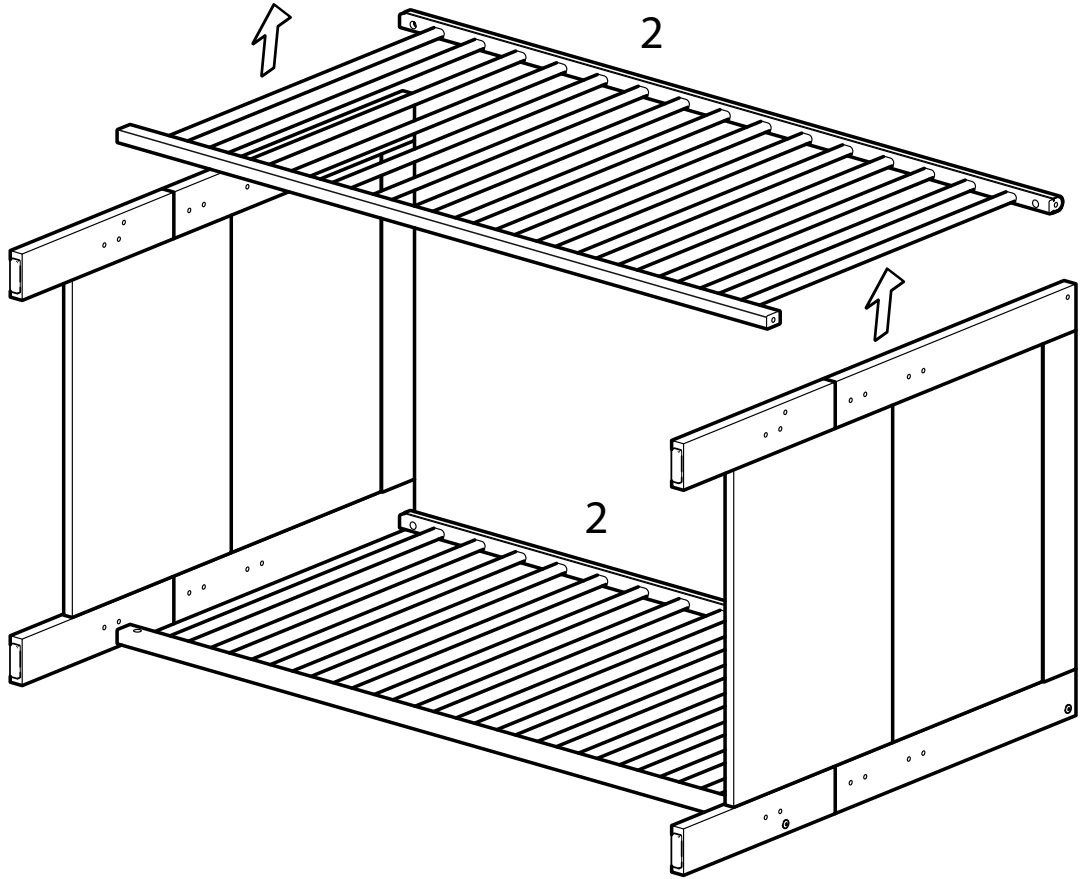
# 10



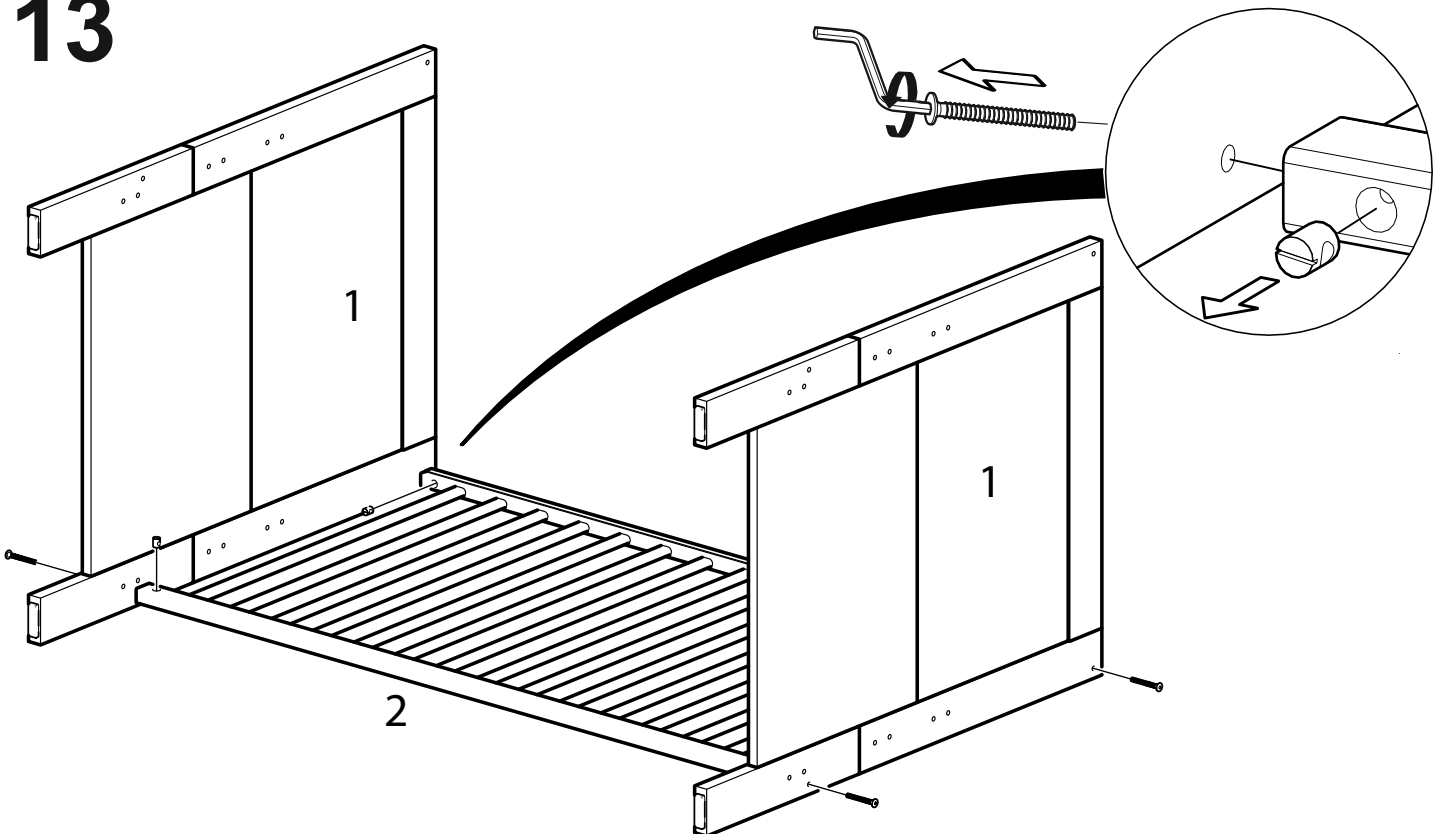
# 11



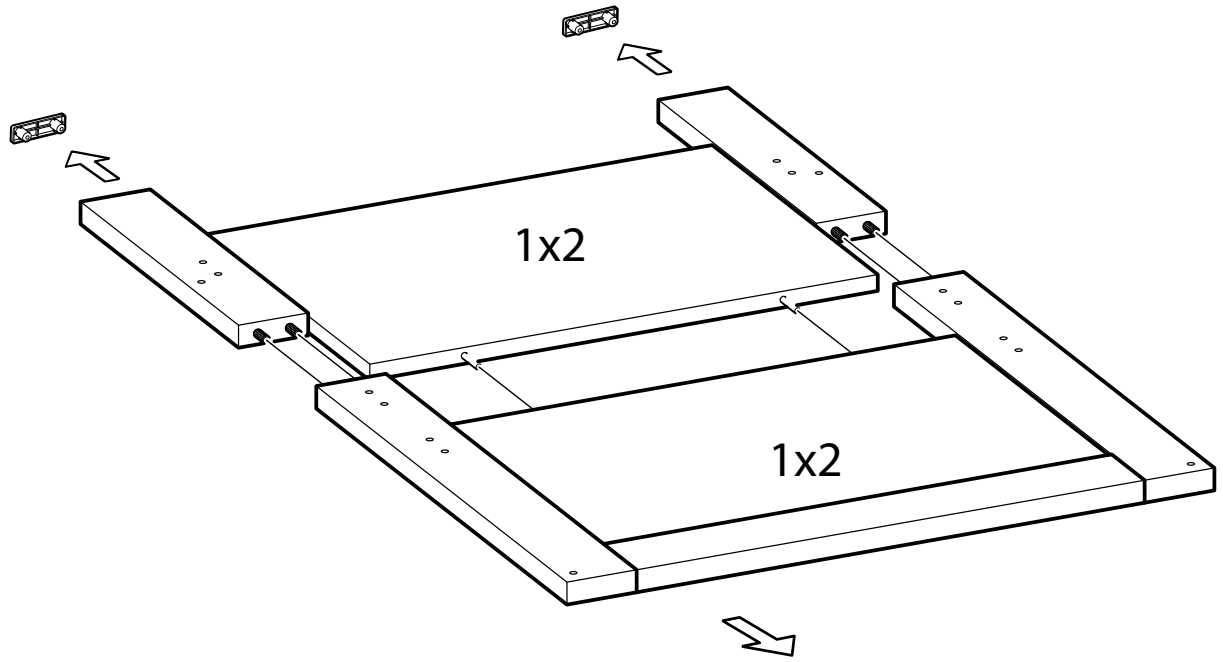
# 12



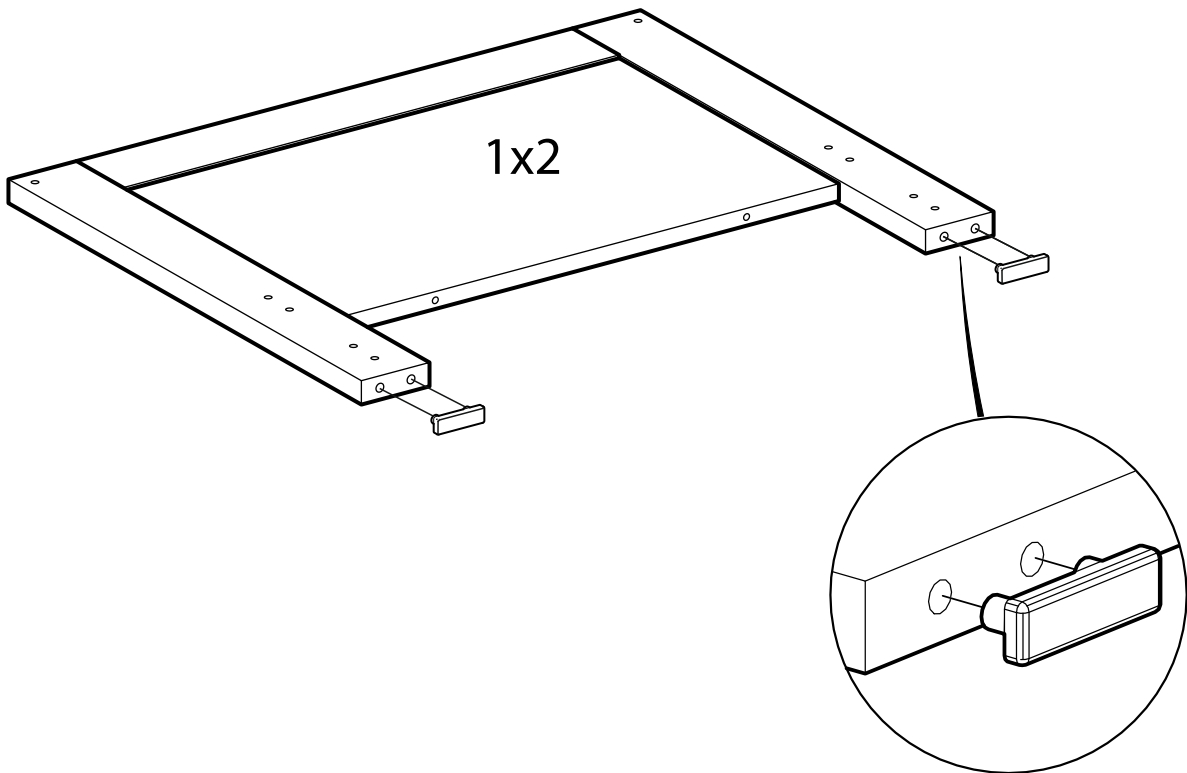
# 13



# 14



# 15



16

