

ickle bubba

Carlton

Carlton Glider Chair & Stool

Instructions

IMPORTANT,
RETAIN FOR FUTURE REFERENCE:
READ CAREFULLY

Safety Warnings

Thank you for choosing Babyhoot. To ensure that your glider chair and stool is used in accordance with these instructions, please read them fully.

Your child's safety may be affected if you do not follow these instructions.

A child's safety is your responsibility.

Assembly should be carried out by a competent adult only.

WARNING: Care should be taken as the underside mechanism of this glider could present a hazard to other people when in use.

WARNING: The footstool is intended to be used for supporting the feet and legs only, not for sitting on.

WARNING: Do not sit on the edge of the seat, armrests or on the backrest as this could cause the chair to tip over.

WARNING: Do not leave children unattended on or beside the chair or foot stool.

- Be aware of the risk of open fire and other sources of heat, such as electric bar fires, gas fires, etc. in the near vicinity of the glider chair and stool.
- Do not use the glider chair and stool if any part is broken or missing. Use only spare parts approved by the manufacturer.
- All assembly fittings should be tightened properly and care should be taken to ensure that no screws are loose, as a child could trap parts of the body, or clothing (e.g. ribbons, drawstrings, necklaces) this could lead to strangulation.
- Wood is a natural material, the colour will darken with age.
- During assembly children should be kept away from the product due to possible risk of injury.

ROUTINE CARE & MAINTENANCE

Regularly check that all fittings and components of the cot/bed are fully tightened and in working order.

- Wipe away spills immediately to prevent staining.
- Use a cloth dampened with water and/or mild soap or a professional product to clean the fabric - always test an inconspicuous area first.
- Allow upholstery to dry and brush lightly.
- Cushions are to be dry cleaned only - do not machine wash the cushions.
- For cleaning the chair/stool frame, use only a mild detergent and warm water.
- DO NOT USE BLEACH.
- DO NOT USE any abrasive substances.

- From time to time, check your glider chair and stool for loose screws, and worn parts. Replace or adjust the parts as needed.

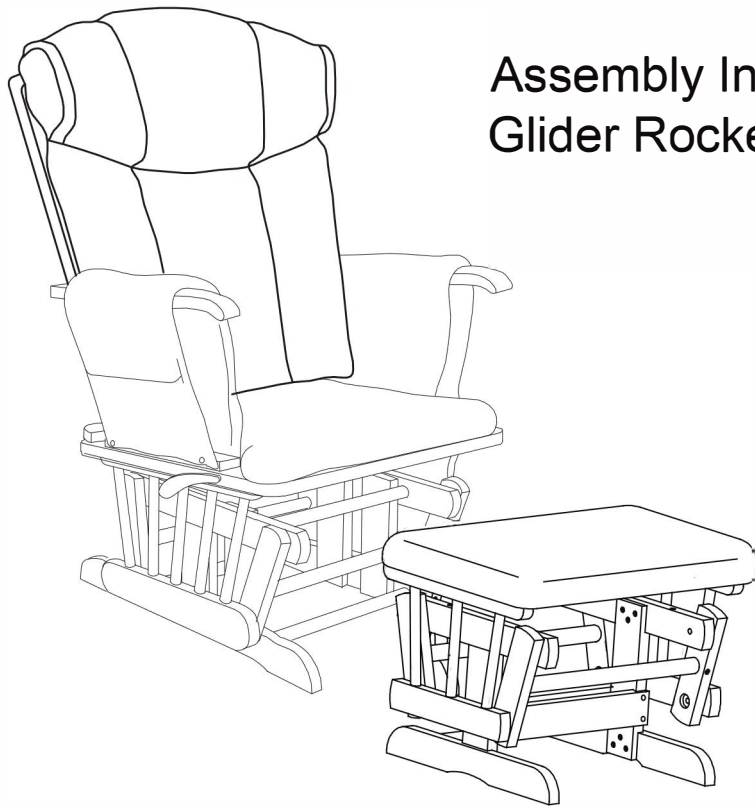
Due to constant updating and improvements, some components may occasionally differ slightly from the images shown in these instructions. We reserve the rights to change the specifications of any products without prior notice. If you need any assistance please contact your Babyhoot retailer from whom you purchased your product, who will take appropriate action.

CONTACT US

Email: contact@icklebubba.com

Babyhoot is a brand name of Ickle Bubba Ltd






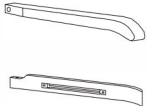
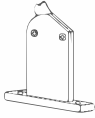

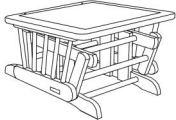
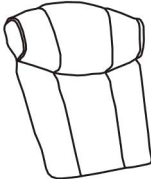

Assembly Instructions Glider Rocker + Ottoman

Ottoman Requires
No Assembly







WARNING CAUTION

1. This product contains bolts and other small parts that may present a choking hazard for children 3 years or under. This unit must be assembled by an adult.
2. periodically check the safety of your product by making certain all bolts and nuts are tightened securely.

CHAIR COMPONENT PARTS

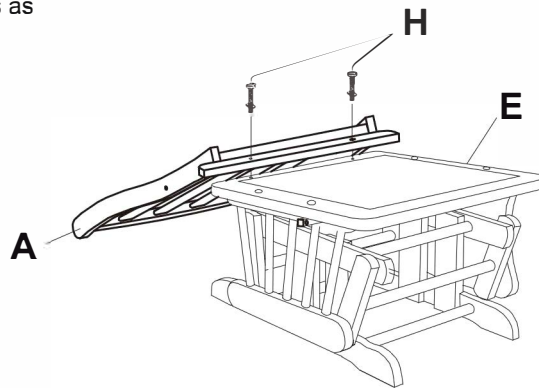
A	1 PCS	B	2 PCS	C	2 PCS	D	2 PCS	E	1 PCS	F	1 PCS	G	1 PCS
	Backrest		Armrest		Armrest Underprop		Arms Cushion		Chair Base		Backrest Cushion		Seat Cushion
													

PARTS LIST

H	10 PCS	I	2 PCS	J	12 PCS	K	2 PCS	M	1 PC	N	1 PC
											
	30mm Bolts		45mm screw and nut		Allen				Handle		Screws

STEP 1

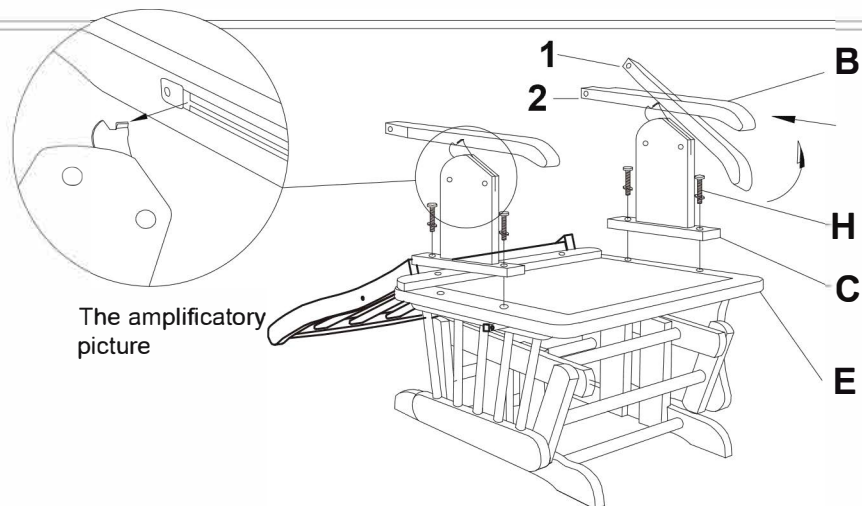
Place the back frame A on the base E and align the holes in the back frame with the holes on the base. Use the screw H in each of the two holes as shown and tighten with allen key J.



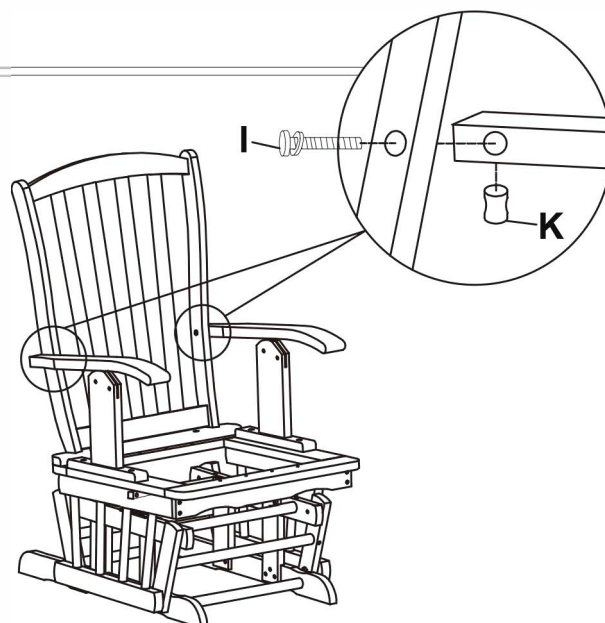
STEP 2

2-1 Assembling Step 1 at first then use bolt H fixed the C onto the base E, please noted the bevel edge should face to the front(see the amplifactory picture).

2-2 Insert the armrest hardware P to B at the location 1 and then turn the B to location 2 let P embed to the hardware slot which at the back side of B.



STEP 3



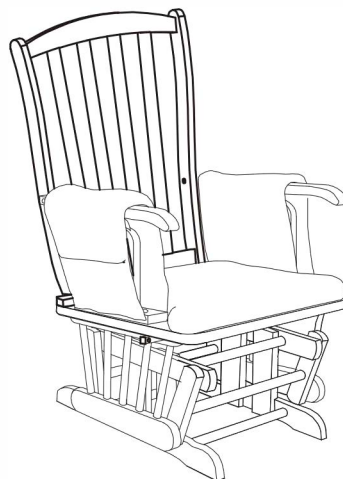
STEP 4

Attach the arms cushion to the arms frames by the velcro.

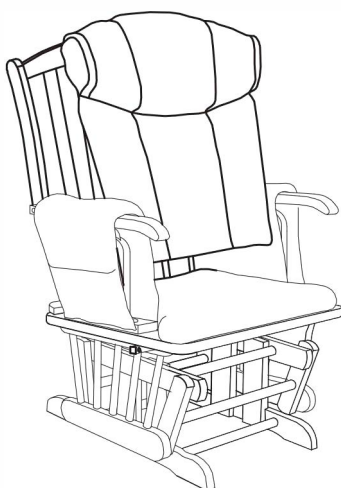


STEP 5

Attach the seat cushion.



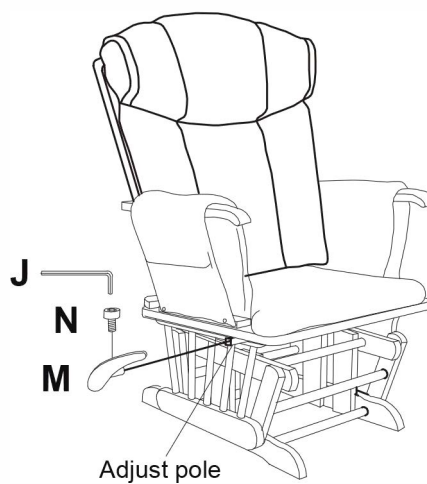
STEP 6



Put back cushion on the backrest .
The two belts on the top of the backside of the back cushion should tied onto the bentwood ,the other belts could tied on pole of the backrest.



STEP 7

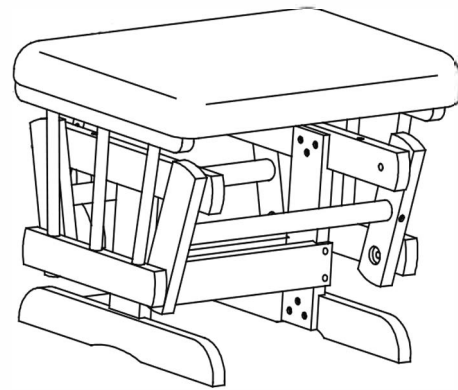
Put the adjust handle N cover on the adjust pole.



Assembly Instructions Ottoman

PART LIST

	A	1
	B	1



STEP 1

Use screw Part A to fix stool panel Part B.

