



Barcode: 5060452082783

spoolkart™

Product code: SPK2

- » Store, organise, and operate multiple cable spools.
- » Anti-tangle cable dispensing system.
- » Built in lockable storage for tools.



Watch the SpoolKart in action

Product features



Puncture-proof
tyres



Cam lock



Padlock secured



200kg

Working load limit



Built in handles

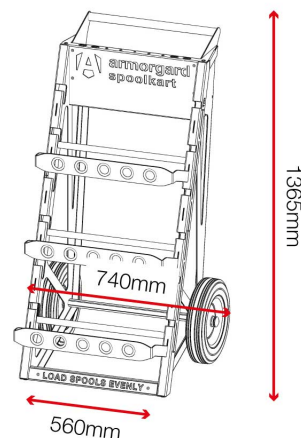
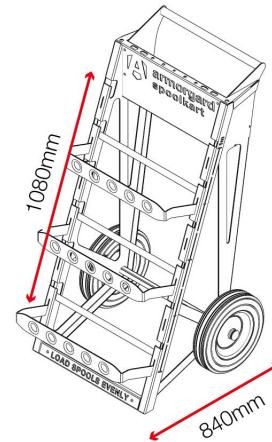


Suitable for site

Product specifications

Weight	51kg
Colour	Black grey: RAL 7021, Traffic red: RAL 3020
Finished coating	Powder coated
Material & thickness	2.5mm steel
How are castors fitted?	2x linchpins
Assembly required?	Yes

Dimensions



Related products - Contact Armorgard to find out more



TurnTable TT1



FlexiKart FK2